



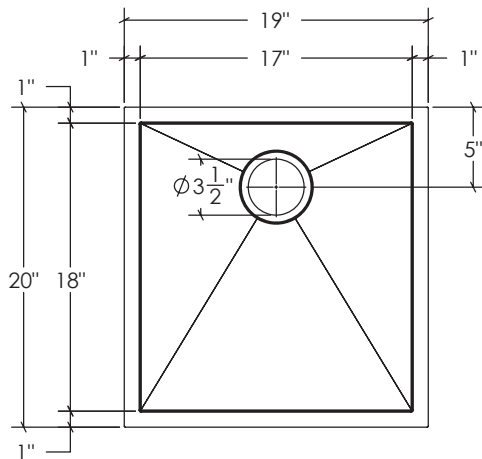
KSS-003

FEATURES:

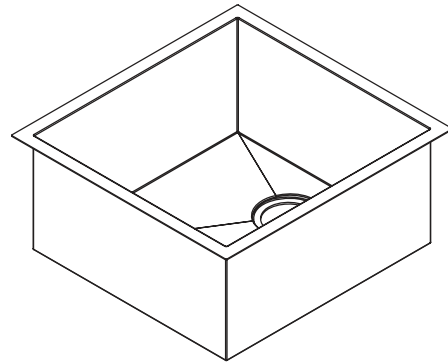
- * Sink Size: 19" x 20" x 9 1/4"
- * Material: 304 Stainless Steel, 18 Gauge
- * Single Basin Undermount 0 Radius Sink
- * High Luster finish
- * Strainer Drain Provided
- * Warranty: Limited Lifetime Warranty

CODES / STANDARDS APPLICABLE

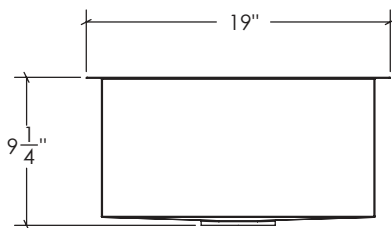
- * CSA B45
- * ASME A112.19.2



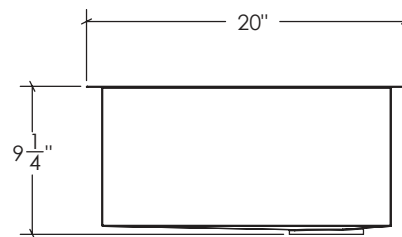
TOP VIEW



3D VIEW



FRONT VIEW



SIDE VIEW

JOB INFORMATION:

Job Name _____
Date Specified _____
Contractor _____

* Specifications and drawings provided on this sheet are for illustration only. Cantrio Concepts will not be held responsible for cutouts made without the actual product or product template.
* Specifications and drawings provided on this sheet are for illustration only. Cantrio Concepts will not be held responsible for cutouts made without the actual product or product template.