

Kräus[®]

INSTALLATION MANUAL

Bolden[™] Pot Filler with Knob

KPF-5003

Congratulations on the purchase of your new Kraus® plumbing fixture!

Please keep the box and packaging materials until your product is completely installed. If you have any questions, require technical assistance or have any problems with your product:



DO NOT RETURN TO STORE

**Please contact our Customer Service Team
1-800-775-0703 / customerservice@kraususa.com**

Have the model number available and retain a copy of your receipt with purchase date for reference.

If for any reason this product does not meet your expectations, please be sure to repack this product in the original box and packaging material to avoid damage during transit.

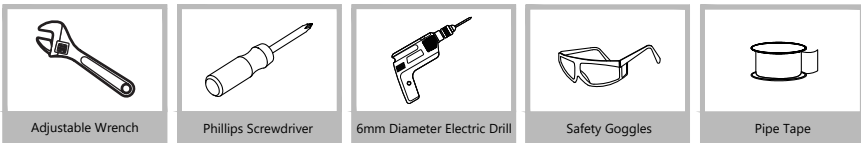
STOP

Prior to Installation:

- Make sure you have all necessary parts by checking the diagram and parts list. If any part is missing or damaged, please contact Kraus[®] Customer Service at 800-775-0703 for a replacement.
- Read all instructions and safety warnings and ensure you have all tools, parts, and equipment necessary for a safe installation.

For technical assistance or replacement parts, please contact Kraus Customer Service and one of our representatives will be happy to help:
Toll-Free: 800-775-0703 or Customerservice@kraususa.com

Tools Required

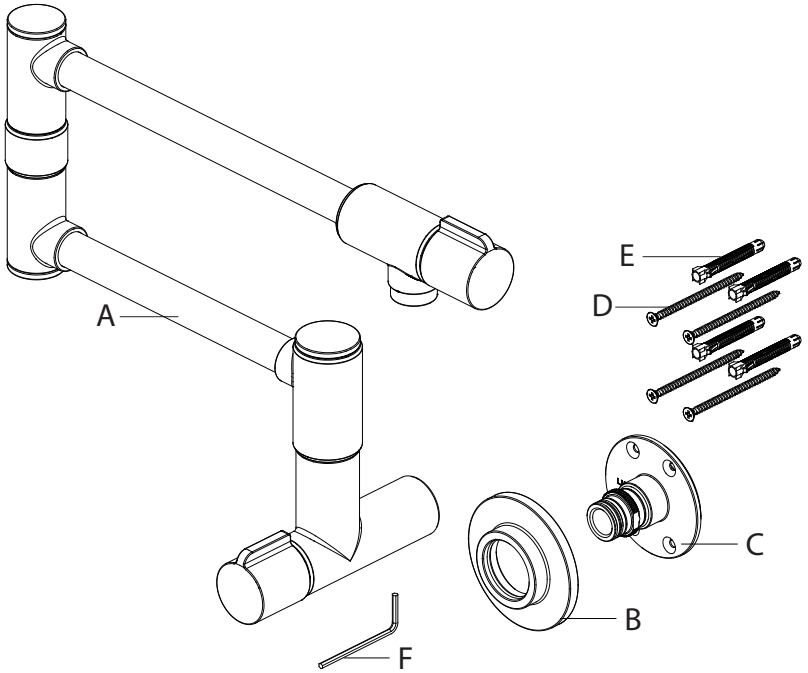


Care & Maintenance

- * To keep the product clean & shining, follow the steps below:
 1. Rinse with clean water & dry with a soft cloth
 2. Do not clean with soaps, acid, polish, abrasives or harsh cleaners
 3. Do not use cloth with a coarse surface
 4. Unscrew the aerator and clean when necessary
- * This installation manual is subject to change without further notice.

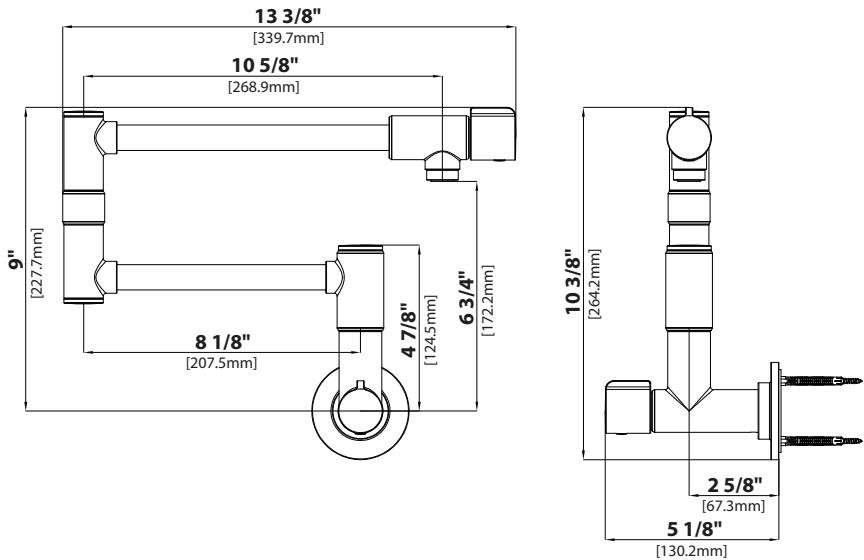


Diagram and Parts List



- A. Faucet Assembly
- B. Flange
- C. Seat
- D. Screw
- E. Anchor
- F. Hex Wrench

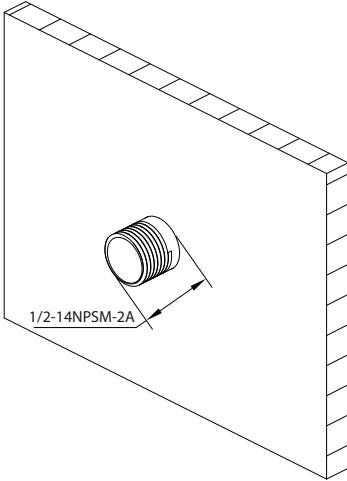
Faucet Dimensions



Installer Tip:

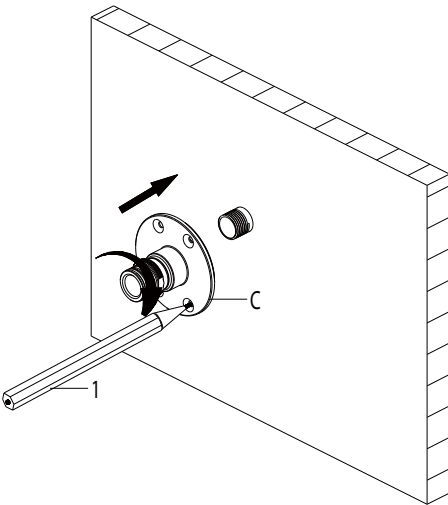
Shut off main water supply before installing new faucet.

Step 1: Installing the supply piping



Install the supply piping so that the 1/2-14NPSM-2A threaded connection protrudes approximately 1/2-14NPSM-2A beyond the finished wall.

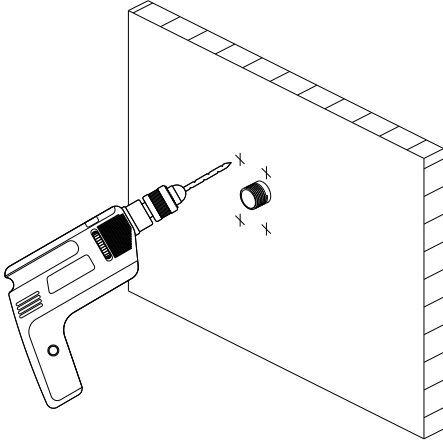
Step 2: Marking the location for the seat



Install the seat (C) onto the finished wall. Screw the seat onto the supply piping and mark the locations for the support screws with a pencil (1).

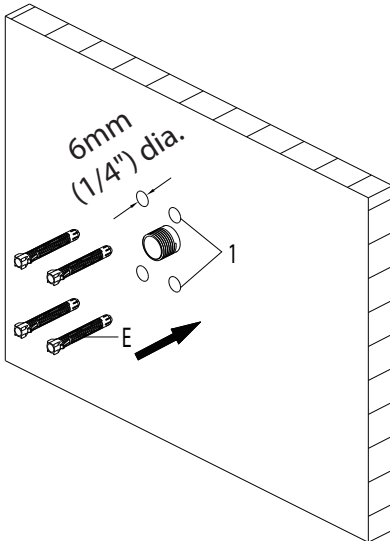
NOTE: When marking the location for the seat screws, be sure that the screws will not interfere with or come into contact with any water supply piping that is concealed behind the wall.

Step 3: Drilling the holes



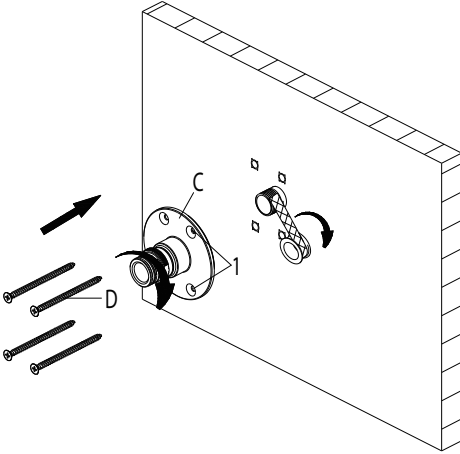
Remove the seat and drill four holes on the positions marked in step 2 using a 6mm (1/4 in.) diameter drill bit.

Step 4: Installing the anchors



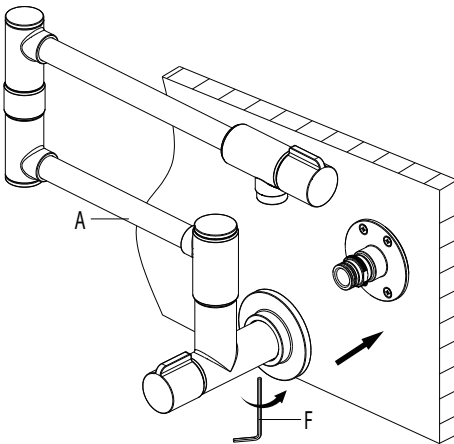
Insert the anchors (E) into the holes (1) and tap flush with the wall.

Step 5: Installing the seat



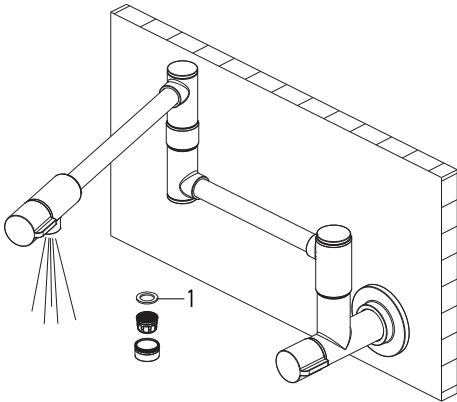
Apply pipe sealant tape to the threads of the supply pipe in a clockwise direction, as shown. Screw the seat (C) onto the supply piping and insert the screws (D) through the mounting bracket holes (1) and tighten until the seat (C) is flush with the wall. Do not over tighten.

Step 6: Installing the faucet assembly



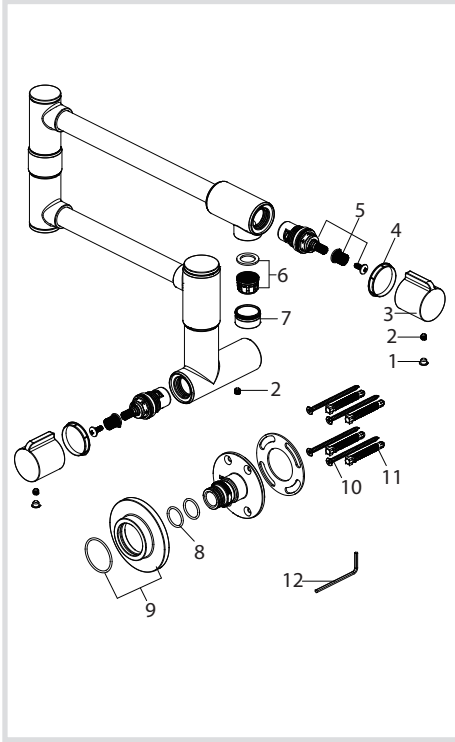
Rotate the faucet assembly (A) until the correct alignment is made (spout should be pointing straight down). Push the faucet body onto the quick connector over the two o-rings. The splines inside the faucet body should line up with the splines on the connector. Secure the faucet assembly (A) by tightening the bottom set screw (already pre-installed inside the faucet assembly) with the hex wrench (F).

Step 7: Flush faucet



After the installation is complete, remove the aerator and housing by unscrewing it from the spout in a counterclockwise direction. Turn on the two handles to the right, turn on the water supply and allow water to run for at least one minute. This flushes away any debris that could cause damage to internal parts. Check for leaks. Reattach the aerator and housing. Do not lose the washer (1) in the aerator.

Replacement Parts



Replacement Parts List	Finish / Color	Part #
1. Index	GR, BL*	KP27002
2. Set Screw		KP27001
3. Handle	SFBB, SFACB, MB, ORB, SFS*	KP27450
4. Washer	GR, BL*	KP27474
5. Cartridge		KP27432
6. Aerator Assembly		KP27447
7. Aerator Shell	SFBB, SFACB, MB, ORB, SFS*	KP27433
8. O-Ring		KP27434
9. Flange	SFBB, SFACB, MB, ORB, SFS*	KP27435
10. Screw		KP27436
11. Anchor		KP27437
12. Hex Wrench		KP27020

*Denotes faucet component color options:
 SFBB - Spot Free Brushed Brass
 SFACB - Spot Free Antique Champagne Bronze
 MB - Matte Black
 SFS - Spot Free Stainless Steel
 ORB - Oil Rubbed Bronze
 GR - Grey
 BL - Black

Troubleshooting

If you have followed the instructions carefully and your faucet still does not work properly, take the following corrective steps:

PROBLEM	CAUSE	ACTION
Leakage near the handle.	Cartridge (5) has come loose.	Remove index (1) and loosen set screw with hex wrench (12). Remove the handle (3) and washer (4). Tighten cartridge (5) with an adjustable wrench.
The aerator assembly (6) has an irregular or reduced water flow.	The aerator is dirty or misfitted.	Loosen the aerator shell (7), then remove the aerator assembly and check for debris. Ensure that the rubber washer is properly installed.
Water will not shut off completely.	Cartridge may need to be adjusted or replaced.	Remove index (1) and loosen set screw with hex wrench (12). Remove the handle (3) and washer (4). Loosen cartridge (5) with an adjustable wrench. Remove the cartridge (5). Check for cracks.

Codes/Standards Applicable:



NSF/ANSI 61

ASME A112.18.1
4.0GPM 15.1L/min maximum

Faucet - Lifetime Limited Warranty

Kraus® USA Plumbing, LLC ("Kraus") extends this warranty to the original purchaser for personal household use of the Faucet when purchased from an authorized Kraus dealer and in the location of original installation. This warranty is non-transferable.

Kraus warrants the structure and finish of the Faucet to be free from defects in material and workmanship under normal usage for as long as the original purchaser resides in the residence in which the Faucet was first installed.

Kraus warrants the Faucet's sprayhead assembly (including the engine, aerators, structure, restrictors, back flow preventers, sprayer hoses, braided supply line hoses which encompasses nylon, silicon and stainless steel) of the product to be free from defects in material and workmanship under normal usage for a period of one (1) year from the date of purchase.

Kraus warrants the Faucet's cartridge to be free from defects in material and workmanship under normal usage for a period of five (5) years from the date of purchase.

Any product reported to the authorized dealer or to Kraus as being defective within the warranty period will be repaired or replaced with a product of equal value at the option of Kraus.

Commercial Warranty

Kraus USA Plumbing, LLC ("Kraus") warrants its Products for a period of one (1) year to commercial purchasers of Products used in industrial, commercial and business applications.

Care and Cleaning Instructions

Certain cleaning products may cause damage to a Product's finish and use of the following on the Product will void this warranty:

- Abrasive cleaners such as powders, bleach, ammonia, alcohol or chlorine
- Abrasive pads, steel wool or wire brushes

What is Not Covered

This warranty does not cover Products that were discontinued when purchased or display Products, whether such Products were purchased at discount outlets, unauthorized dealers, and/or sold on clearance. This warranty does not cover any free gifts included with purchase.

This warranty does not cover damage resulting from neglect, misuse (including use for an unintended application), abuse, carelessness, accident, hard water or mineral deposits, exposure to corrosive materials, improper maintenance, alteration of the Product, or failure to follow care, cleaning or installation instructions enclosed with your Product. Kraus recommends that all Kraus Products be installed by a fully licensed and insured trade professional with experience in the installation of bathroom and/or kitchen manufactured goods.

How to Make a Warranty Claim

If you are a **consumer purchaser**, please contact a Kraus® Customer Service Representative at:
Kraus USA Plumbing, LLC
12 Harbor Park Drive
Port Washington, NY 11050
Toll-free 800-775-0703
Customerservice@kraususa.com

If you are a **plumbing contractor or trade professional**, please contact a Kraus Pro Representative at:
Kraus USA Plumbing, LLC
12 Harbor Park Drive
Port Washington, NY 11050
516-801-8955
Proservice@kraususa.com

If you are an **authorized partner**, please contact a Partner Support Representative at:
Kraus USA Plumbing, LLC
12 Harbor Park Drive
Port Washington, NY 11050
516-801-8954
Partnersupport@kraususa.com

In requesting warranty service, please be ready to provide your proof of purchase and a description of the problem. Shipping charges will be covered for the first (1) year of the warranted replacement part or product (HI, AK, and Puerto Rico shipping charges may apply). International shipping fees are not included.

Limitation on Duration of Implied Warranties

Please note that some states/provinces (including Quebec) do not allow limitations on how long an implied warranty lasts, so the below limitations may not apply to you. TO THE MAXIMUM EXTENT PERMITTED BY APPLICABLE LAW, ANY IMPLIED WARRANTY, INCLUDING THE IMPLIED WARRANTIES OF MERCHANTABILITY AND OF FITNESS FOR A PARTICULAR PURPOSE, IS LIMITED TO THE STATUTORY PERIOD OR THE DURATION OF THIS WARRANTY, WHICHEVER IS SHORTER.

Limitation of Special, Incidental or Consequential Damages

Please note that some states/provinces (including Quebec) do not allow the exclusion or limitation of special, incidental or consequential damages, so the below limitations and exclusions may not apply to you. TO THE MAXIMUM EXTENT PERMITTED BY APPLICABLE LAW, THIS WARRANTY DOES NOT COVER, AND KRAUS USA PLUMBING, LLC SHALL NOT BE LIABLE FOR, ANY SPECIAL, INCIDENTAL OR CONSEQUENTIAL DAMAGES (INCLUDING LABOR CHARGES TO REPAIR, REPLACE, INSTALL OR REMOVE THIS PRODUCT), WHETHER ARISING OUT OF BREACH OF ANY EXPRESS OR IMPLIED WARRANTY, BREACH OF CONTRACT, TORT, OR OTHERWISE.

This warranty gives you specific legal rights, and you may also have other rights which vary from state/province to state/province.

Download the Kraus Care & Maintenance Guide at:
<http://www.kraususa.com/maintenance>

IMPORTANT

Register Your Kraus Product

Activate Your Warranty

Access Premium Customer Support

Get Product Information

REGISTER TODAY

<http://www.kraususa.com/registration>



Kräus[®]
www.kraususa.com