



INSTALLATION MANUAL

Industrial Pull Down Kitchen Faucet

KPF-3126

Congratulations on the purchase of your new Kraus® plumbing fixture!

Please keep the box and packaging materials until your product is completely installed. If you have any questions, require technical assistance or have any problems with your product:



DO NOT RETURN TO STORE

**Please contact our Customer Service Team
1-800-775-0703 / customerservice@kraususa.com**

Have the model number available and retain a copy of your receipt with purchase date for reference.

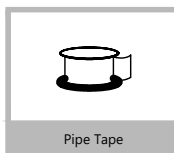
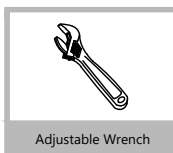
If for any reason this product does not meet your expectations, please be sure to repack this product in the original box and packaging material to avoid damage during transit.



Prior to Installation:

- Make sure you have all necessary parts by checking the diagram and parts list. If any part is missing or damaged, please contact Kraus® Customer Service at 800-775-0703 for a replacement.
- Read all instructions and safety warnings and ensure you have all tools, parts, and equipment necessary for a safe installation.
- Turn off the hot and cold water supply at the angle stops and turn on the old faucet to release any built up pressure. Remove existing faucet. Clean sink or countertop to remove any debris, plumber's putty, or silicone.
- Flush angle stops to release any debris prior to installation.
- Pre-drilled hole size requirement: 1 3/8" (min)
- Max countertop thickness: 2 3/8"

Tools Required



Care & Maintenance

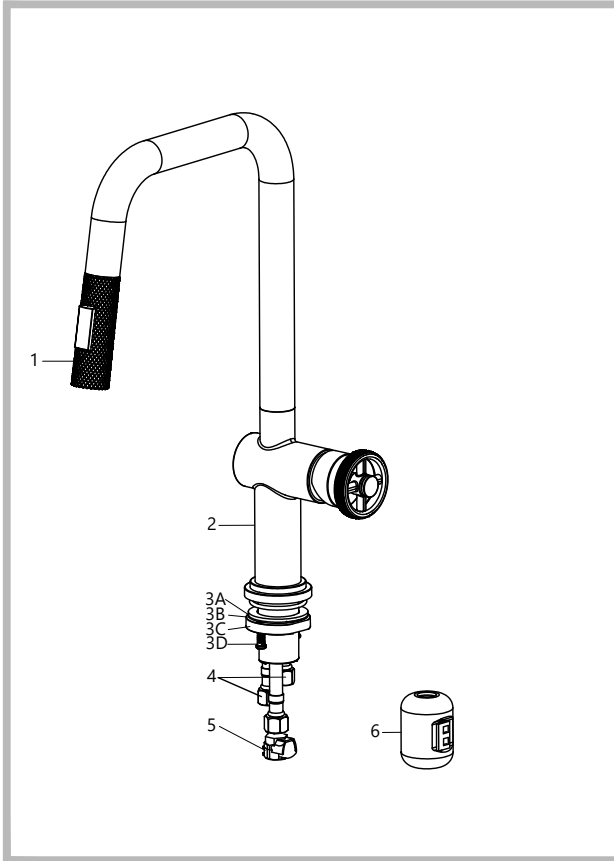
To keep the product clean & shining, follow the steps below:

1. Rinse with clean water & dry with a soft cloth
2. Do not clean with soaps, acid, polish, abrasives or harsh cleaners
3. Do not use cloth with a coarse surface
4. Unscrew the aerator and clean when necessary



This installation manual is subject to change without further notice.

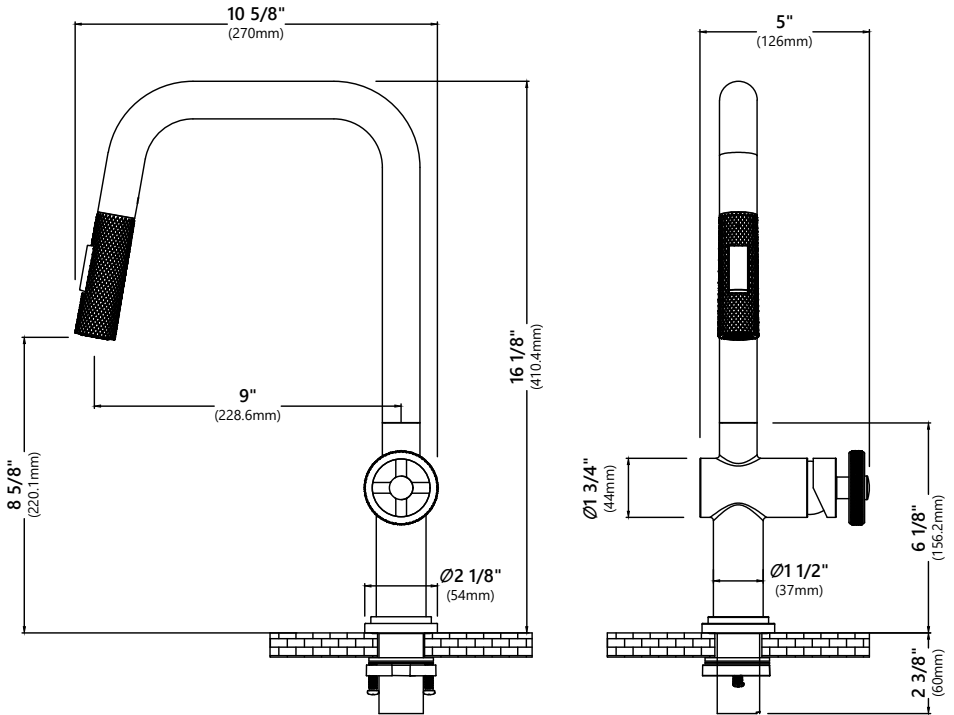
Diagram and Parts List



1. Spray Head
2. Faucet Body
- 3A. Rubber Washer
- 3B. Metal Washer
- 3C. Mounting Nut
- 3D. Mounting Screws
4. Waterlines
5. Quick Connector
6. Weight

For technical assistance or replacement parts, please contact Kraus®
Customer Service and one of our representatives will be happy to help:
Toll-Free: 800-775-0703 or Customerservice@kraususa.com

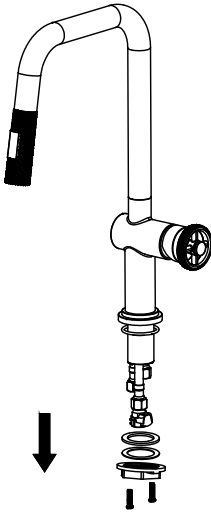
Faucet Dimensions



Installer Tip:

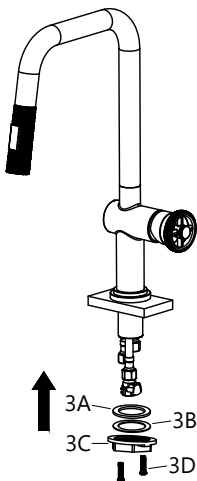
Shut off main water supply before installing new faucet.

Step 1. Remove mounting hardware



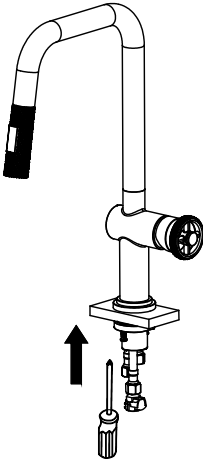
Remove the mounting screws (3D), mounting nut (3C), metal washer (3B) and rubber washer (3A) from the mounting pipe.

Step 2. Install faucet and mounting hardware



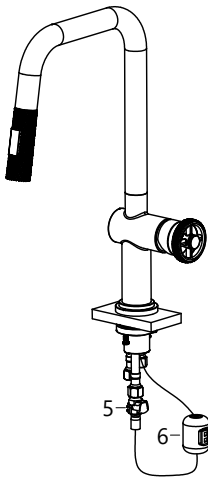
Insert faucet body (2) into hole in countertop or deck plate assembly. Install mounting hardware (3A, B, C & D) from underneath the countertop.

Step 3. Secure mounting hardware



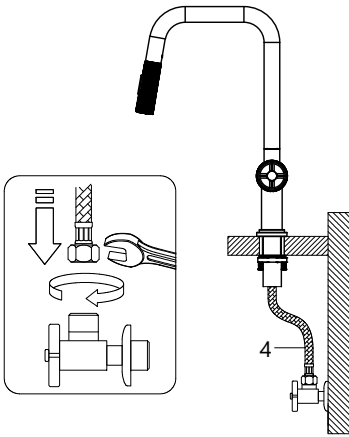
Adjust direction of faucet body (2) so that handle is on right side of faucet. Tighten mounting nut (3C) until snug. Tighten mounting screws (3D) to nut with Phillips screwdriver until snug.

Step 4. Attach spray hose and counterweight



Connect spray hose to quick connector (5) attached to supply line. Install weight (6) on mark where label on spray hose.

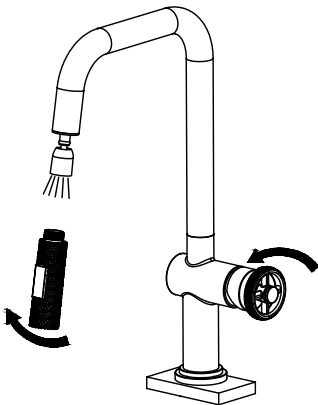
Step 5. Connect waterlines



Connect hot and cold copper lines (4) to angle stops. Tighten both ends of waterlines with a wrench until snug. Turn on hot and cold angle stops and check for leaks.

NOTE: Please make sure filter washers are installed before connecting to the main valve.

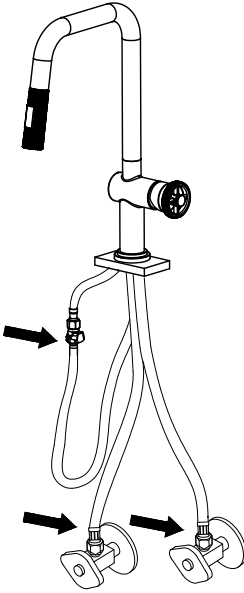
Step 6. Flush spray hose



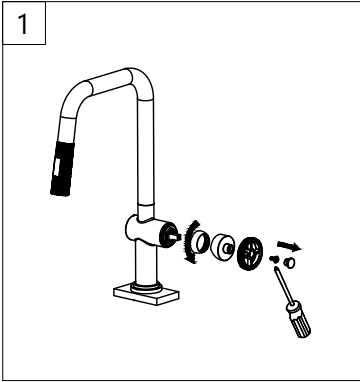
Remove spray head (1) from spray hose. Hold tip of spray hose. Turn faucet on and let the water run for 60 seconds to flush any debris.

Step 7. Check for leaks

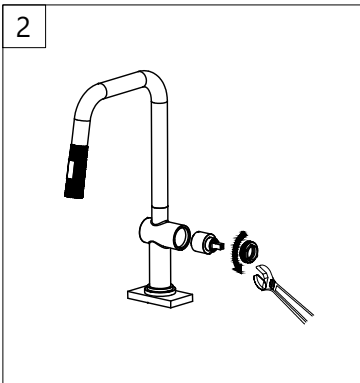
Check for leaks at the connections.
Retighten if necessary.



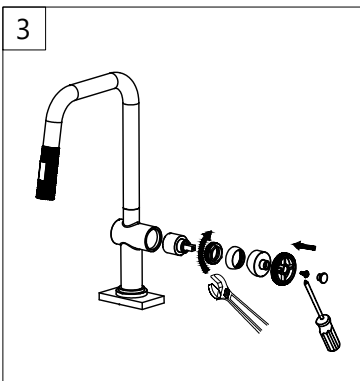
Maintenance - Cartridge Replacement



Step 1: Remove the handle button by hand. Loosen the screw with a Phillips screwdriver. Remove the handle and cartridge cap by hand.

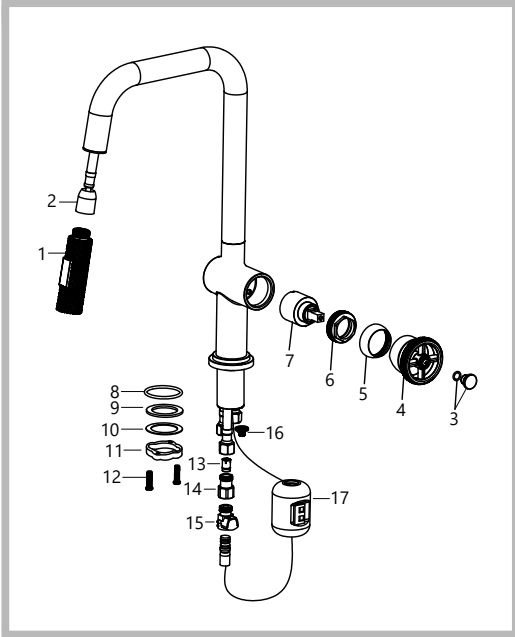


Step 2: Unscrew the locking nut with an adjustable wrench. Remove ceramic disc cartridge.



Step 3: Place the new cartridge in the handle seat. Secure the cartridge with the locking nut and assemble the handle.

Replacement Parts



Replacement Parts List	Finish/Color	Part #
1. Spray Head	CH, SFS, MB, BG, SB**	KP44097
2. Spray Hose	BLBG, GRCH, BLMB, BLSB, GRSFS*	KP44096
3. Handle Button	CH, SFS, MB, BG, SB**	KP44032
4. Metal Handle	CH, SFS, MB, BG, SB**	KP44103
5. Cartridge Cover	CH, SFS, MB, BG, SB**	KP44104
6. Cartridge Nut		KP44105
7. Cartridge		KP44106
8. Base O-Ring		KP44136
9. Rubber Washer		KP44137
10. Metal Washer		KP44138
11. Mounting Nut		KP44117
12. Mounting Screws		KP44100
13. 1.8GPM Check Valve		KP44016
14. Waterflow Adapter		KP44018
15. Quick Connector		KP44020
16. Filter Washer		KP44022
17. EZ-Weight		KP44021

*Denotes spray hose assembly color options:
 Spray hose assembly color options: Black hose w/ Matte Black connector (BLMB), Gray hose with Chrome connector (GRCH), Gray hose with Spot-Free Stainless connector (GRSFS), Black hose w/ Brushed Gold connector (BLBG), Black hose w/ Black Stainless connector (BLSB)

**Denotes faucet component color options:
 CH - Chrome
 SB - Black Stainless
 MB - Matte Black
 BG - Brushed Gold
 SFS - Spot Free Stainless Steel

Troubleshooting

If you have followed the instructions carefully and your faucet still does not work properly, take the following corrective steps:

PROBLEM	CAUSE	ACTION
Leakage under faucet handle	Locking nut has come loose or cartridge needs to be reseated.	Loosen set screw with Phillips screwdriver. Remove handle and unscrew cartridge cover by hand. Tighten locking nut with an adjustable wrench.
Water does not shut off completely	Cartridge may need to be adjusted or replaced.	Loosen set screw with Phillips screwdriver. Remove handle and unscrew cartridge cover by hand. Unscrew locking nut with an adjustable wrench. Remove ceramic disc cartridge. Check for cracks, and if O-ring is seated correctly. Reseat cartridge.
Leaking between spray head and the hose	Spray head may be loose or washer is not seated correctly in the hose connection.	Tighten spray head by hand until snug. Make sure washer is seated correctly.
Hose does not retract	Weight may be installed incorrectly.	Readjust weight on hose.
Low flow	The screen filter in the hose connectors is dirty.	Turn off the water supply at water valve and unscrew the hose connectors from water supply lines. Clean the screen in the water lines with hot water, removing any debris or calcium build up.

Codes/Standards Applicable:



ASME A112.18.1
1.8GPM 6.8L/min maximum

Faucet

Kraus USA Plumbing, LLC ("Kraus") extends this warranty to the original purchaser for personal household use of the Faucet when purchased from an authorized Kraus dealer and in the location of original installation. This warranty is non-transferable.

Kraus warrants the structure and finish of the Faucet to be free from defects in material and workmanship under normal usage for as long as the original purchaser resides in the residence in which the Faucet was first installed.

Kraus warrants the Faucet's sprayhead assembly (including the engine, aerators, structure, restrictors, back flow preventers, sprayer hoses, braided supply line hoses which encompasses nylon, silicon and stainless steel) of the product to be free from defects in material and workmanship under normal usage for a period of one (1) year from the date of purchase.

Kraus warrants the Faucet's cartridge to be free from defects in material and workmanship under normal usage for a period of five (5) years from the date of purchase.

Any product reported to the authorized dealer or to Kraus as being defective within the warranty period will be repaired or replaced with a product of equal value at the option of Kraus.

Commercial Warranty

Kraus USA Plumbing, LLC ("Kraus") warrants its Products for a period of one (1) year to commercial purchasers of Products used in industrial, commercial and business applications.

Care and Cleaning Instructions

Certain cleaning products may cause damage to a Product's finish and use of the following on the Product will void this warranty:

- Abrasive cleaners such as powders, bleach, ammonia, alcohol or chlorine
- Abrasive pads, steel wool or wire brushes

What is Not Covered

This warranty does not cover Products that were discontinued when purchased or display Products, whether such Products were purchased at discount outlets, unauthorized dealers, and/or sold on clearance. This warranty does not cover any free gifts included with purchase.

This warranty does not cover damage resulting from neglect, misuse (including use for an unintended application), abuse, carelessness, accident, hard water or mineral deposits, exposure to corrosive materials, improper maintenance, alteration of the Product, or failure to follow care, cleaning or installation instructions enclosed with your Product. Kraus recommends that all Kraus Products be installed by a fully licensed and insured trade professional with experience in the installation of bathroom and/or kitchen manufactured goods.

How to Make a Warranty Claim

If you are a **consumer purchaser**, please contact a Kraus Customer Service Representative at:

Kraus USA Plumbing, LLC
12 Harbor Park Drive
Port Washington, NY 11050
Toll-free 800-775-0703
Customerservice@kraususa.com

If you are a **plumbing contractor or trade professional**, please contact a Kraus Pro Representative at:

Kraus USA Plumbing, LLC
12 Harbor Park Drive
Port Washington, NY 11050
516-801-8955
Proservice@kraususa.com

If you are an **authorized partner**, please contact a Partner Support Representative at:

Kraus USA Plumbing, LLC
12 Harbor Park Drive
Port Washington, NY 11050
516-801-8954
Partnersupport@kraususa.com

In requesting warranty service, please be ready to provide your proof of purchase and a description of the problem. Shipping charges will be covered for the first (1) year of the warranted replacement part or product (HI, AK, and Puerto Rico shipping charges may apply). International shipping fees are not included.

Limitation on Duration of Implied Warranties

Please note that some states/provinces (including Quebec) do not allow limitations on how long an implied warranty lasts, so the below limitations may not apply to you. TO THE MAXIMUM EXTENT PERMITTED BY APPLICABLE LAW, ANY IMPLIED WARRANTY, INCLUDING THE IMPLIED WARRANTIES OF MERCHANTABILITY AND OF FITNESS FOR A PARTICULAR PURPOSE, IS LIMITED TO THE STATUTORY PERIOD OR THE DURATION OF THIS WARRANTY, WHICHEVER IS SHORTER.

Limitation of Special, Incidental or Consequential Damages

Please note that some states/provinces (including Quebec) do not allow the exclusion or limitation of special, incidental or consequential damages, so the below limitations and exclusions may not apply to you. TO THE MAXIMUM EXTENT PERMITTED BY APPLICABLE LAW, THIS WARRANTY DOES NOT COVER, AND KRAUS USA PLUMBING, LLC SHALL NOT BE LIABLE FOR, ANY SPECIAL, INCIDENTAL OR CONSEQUENTIAL DAMAGES (INCLUDING LABOR CHARGES TO REPAIR, REPLACE, INSTALL OR REMOVE THIS PRODUCT), WHETHER ARISING OUT OF BREACH OF ANY EXPRESS OR IMPLIED WARRANTY, BREACH OF CONTRACT, TORT, OR OTHERWISE.

This warranty gives you specific legal rights, and you may also have other rights which vary from state/province to state/province.

Download the Kraus Care & Maintenance Guide at:
<http://www.kraususa.com/maintenance>

IMPORTANT

Register Your Kraus Product

Activate Your Warranty

Access Premium Customer Support

Get Product Information

REGISTER TODAY

<http://www.kraususa.com/registration>



Kräus[®]
www.kraususa.com