

# **Kräus<sup>®</sup>**

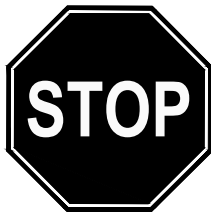
INSTALLATION MANUAL

## **Urbix<sup>™</sup> Industrial Bridge Kitchen Faucet**

**KPF-3125**

## **Congratulations on the purchase of your new Kraus plumbing fixture!**

Please keep the box and packaging materials until your product is completely installed. If you have any questions, require technical assistance or have any problems with your product:



**DO NOT RETURN TO STORE**

**Please contact our Customer Service Team  
1-800-775-0703 / [customerservice@kraususa.com](mailto:customerservice@kraususa.com)**

Have the model number available and retain a copy of your receipt with purchase date for reference.

If for any reason this product does not meet your expectations, please be sure to repack this product in the original box and packaging material to avoid damage during transit.

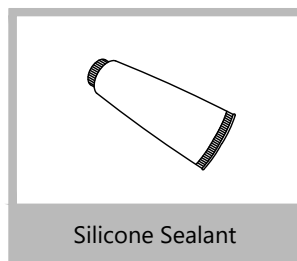
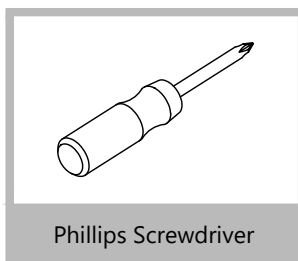
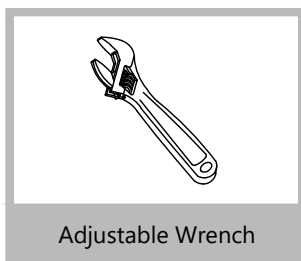
## Prior to Installation:

- Make sure you have all necessary parts by checking the diagram and parts list. If any part is missing or damaged, please contact Kraus Customer Service at 800-775-0703 for a replacement.
- Turn off the hot and cold water supply at the angle stops and turn on the old faucet to release any built up pressure. Remove existing faucet. Clean sink or countertop to remove any debris, plumber's putty, or silicone.
- Flush angle stops to release any debris prior to installation.
- Pre-drilled hole size requirement: 1 1/4" (min) - 1 1/2" (max)
- Max countertop thickness: 2 1/2"
- 
- 3 or 4 hole installation

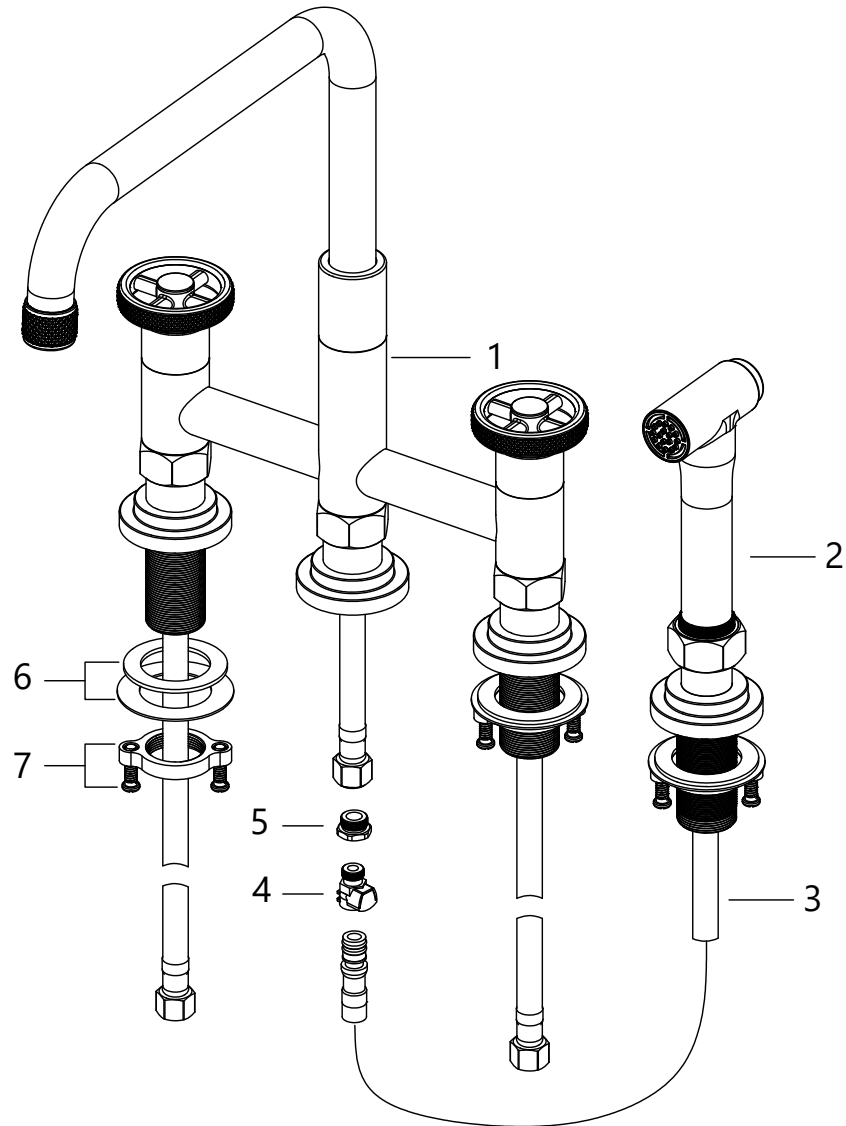
For technical assistance or replacement parts, please contact Kraus Customer Service and one of our representatives will be happy to help:

Toll-Free: 800-775-0703 or [Customerservice@kraususa.com](mailto:Customerservice@kraususa.com)

## Tools Required

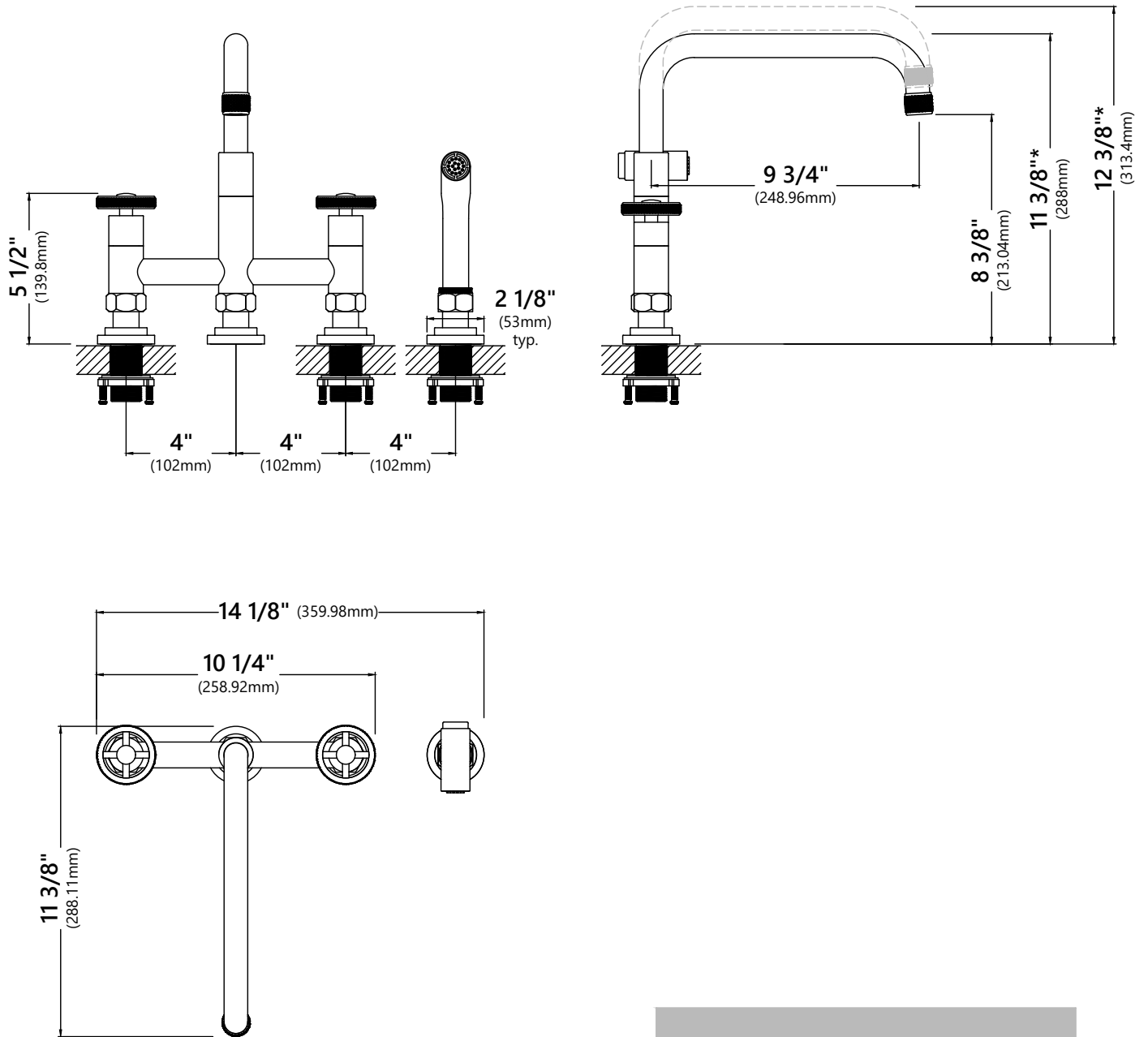


## Diagram and Parts List



1. Faucet Body
2. Side Sprayer
3. Sprayer Hose
4. Quick Connector
5. Plug (for NO side sprayer installation)
6. Rubber & Metal Washer
7. Mounting Nut & Screws

# Faucet Installation Procedure



\* - Adjustable height range.

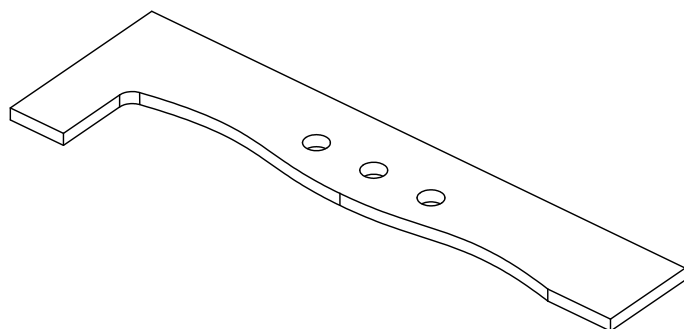
## Installer Tip:

Shut off main water supply before installing new faucet.

## NO Side Sprayer Option

### Step 1. Drill countertop

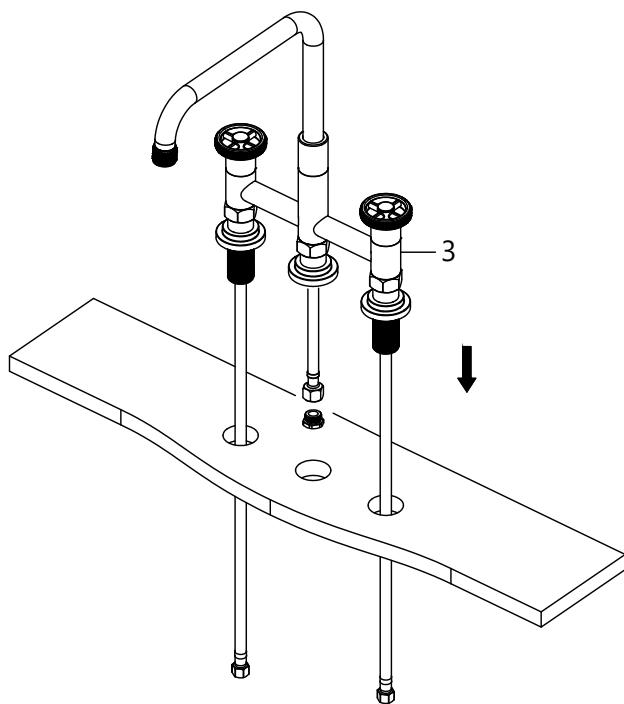
---



Drill 3 holes into the countertop for the faucet body (1).

### Step 2. Install faucet assembly

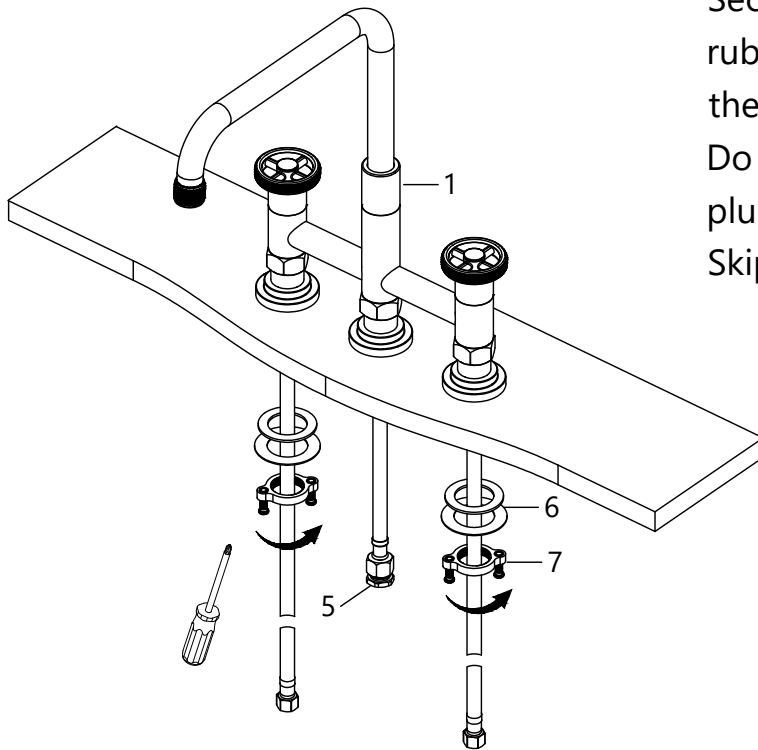
---



Install the faucet assembly through the holes in the countertop.

### Step 3. Secure faucet assembly

---

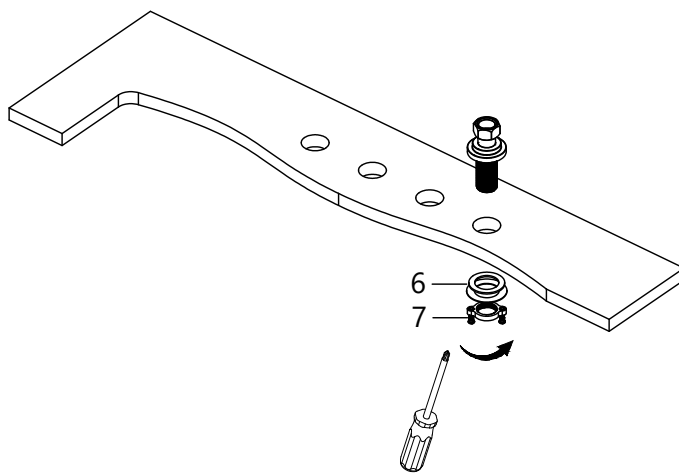


Secure the faucet body (1) with the rubber and metal washers (6) and the mounting nuts and screws (7). Do not overtighten. Make sure the plug (5) is installed tightly. Skip to Step 7.

### Side Sprayer Option

#### Step 4. Drill countertop and install side sprayer support

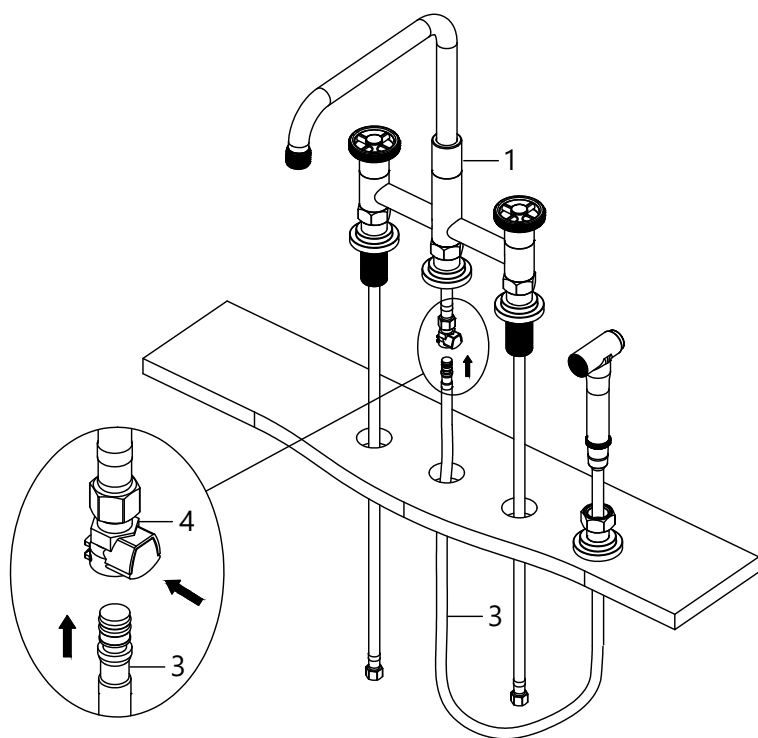
---



Drill 4 holes into the countertop for the faucet body (1) and side sprayer (2). Install the side sprayer support.

## Step 5. Install faucet assembly

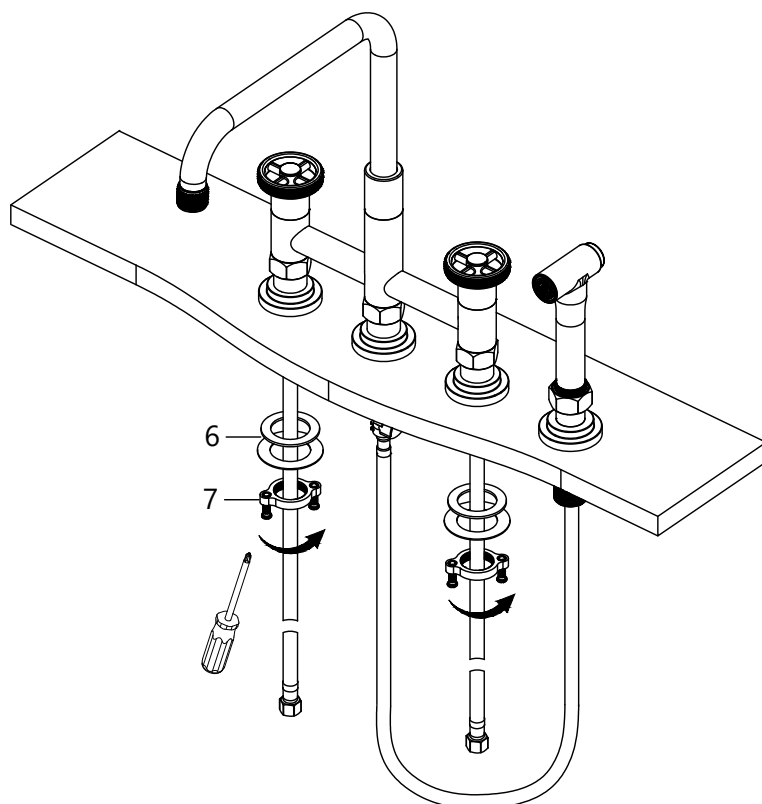
---



Install the faucet assembly through the holes in the countertop. Remove plug (5) and install quick connector (4). Connect the sprayer hose (3).

## Step 6. Secure faucet assembly

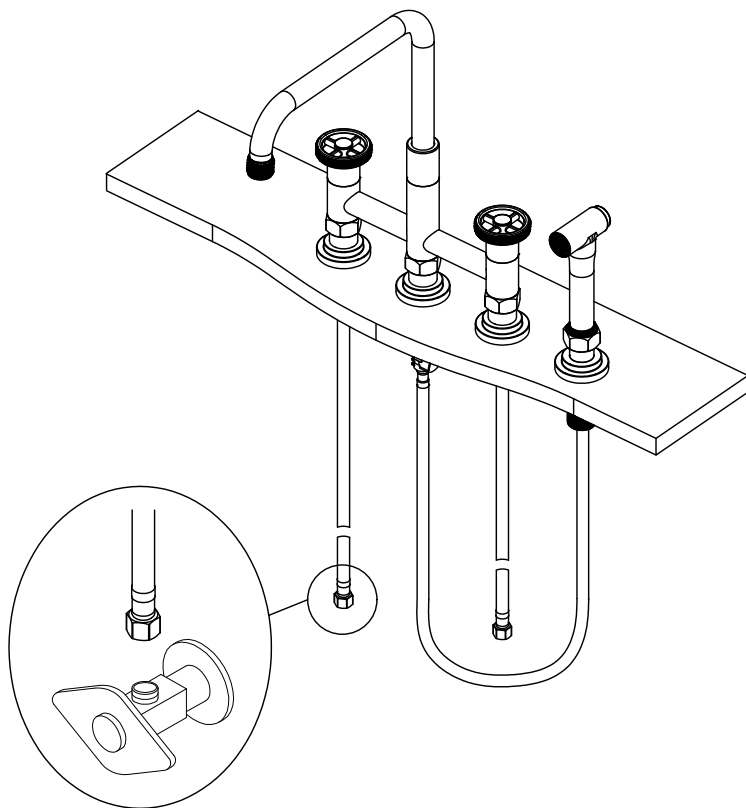
---



Secure the faucet body (1) with the rubber and metal washers (6) and the mounting nuts and screws (7). Do not overtighten.

## Step 7. Connect waterlines

---

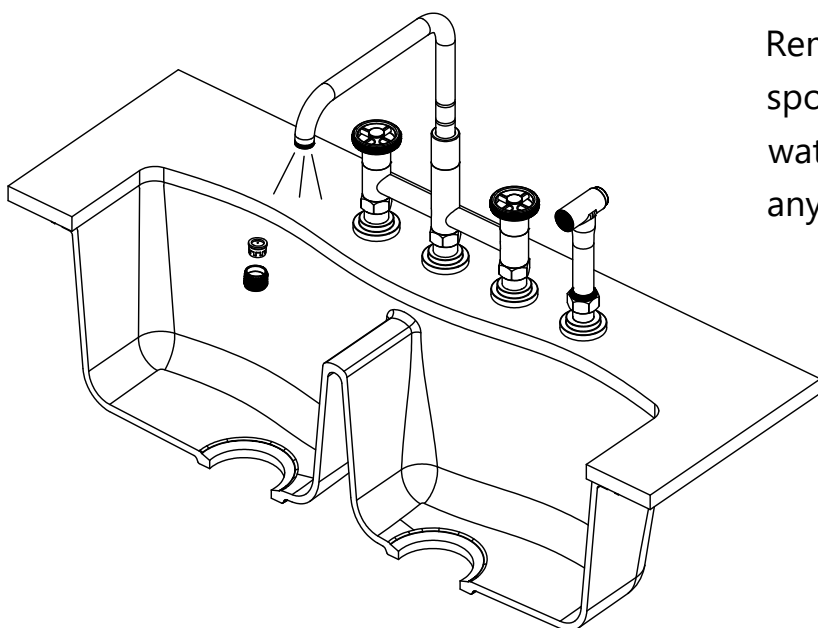


Connect waterlines to angle stops. Tighten with a wrench until snug. Turn on hot and cold angle stops and check for leaks.

**NOTE:** Make sure filter washers are installed.

## Step 8. Flush waterway

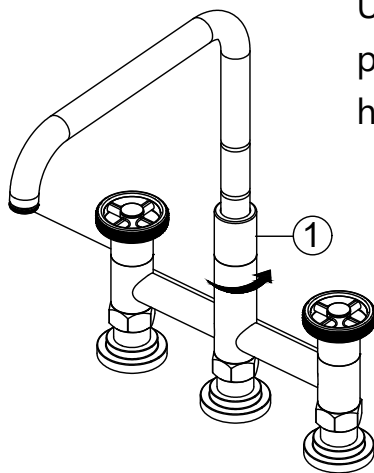
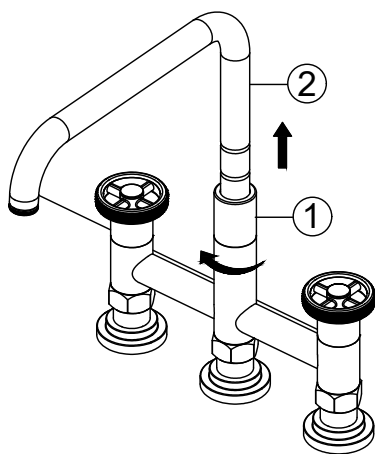
---



Remove the aerator from the spout. Turn faucet on and let the water run for 60 seconds to flush any debris.

## Step 9. Adjusting spout height

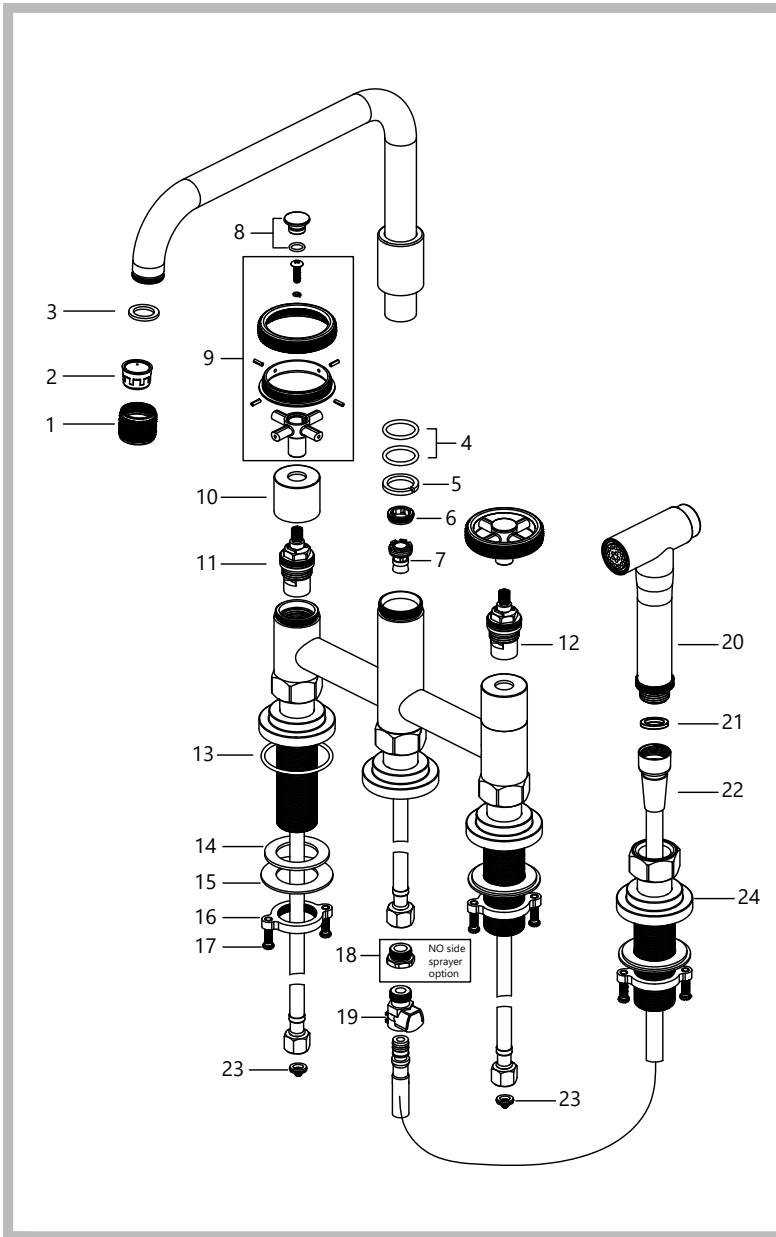
---



Unthread the holding nut (1) and pull the spout (2) up. Thread the holding nut (1).

NOTE: The adjustment can be up to 1". Lock to the desired location. It is recommended to set and forget, so the grease does not get worn. It is recommended to wipe the spout after setting the height.

# Replacement Parts



Replacement Parts List	Finish/Color	Part #
1. Aerator Housing	SFS, MB, BG*	KP44031
2. Aerator 1.8 GPM	RD*	KP44029
3. Aerator Washer		KP44028
4. Spout O-Ring		KP44036
5. Spout Sleeve		KP44037
6. Diverter Cap		KP44038
7. Diverter		KP44039
8. Handle Button	SFS,MB,BG,RD*	KP44032
9. Metal Handle	SFS,MB,BG,RD*	KP44033
10. Cartridge Cover	SFS, MB, BG*	KP44034
11. Cartridge Hot		KP44004-H
12. Cartridge Cold		KP44004-C
13. Base O-Ring		KP44035
14. Rubber Washer		KP44006
15. Metal Washer		KP44007
16. Mounting Nut		KP44008
17. Mounting Screws		KP44009
18. Supply Hose Plug		KP44041
19. Quick Connector		KP44020
20. Side Sprayer	SFS, MB, BG*	KP44042
21. Washer		KP44043
22. Side Sprayer Hose	SFS, MB, BG*	KP44044
23. Filter Washers		KP44022
24. Sprayer Base	SFS, MB, BG*	KP44045

\*Denotes faucet component color options:  
 SFS - Spot Free Stainless Steel  
 MB - Matte Black  
 BG - Brushed Gold  
 RD - Red  
 YW - Yellow

## Trouble-Shooting

If you have followed the instructions carefully and your faucet still does not work properly, take the following corrective steps:

PROBLEM	CAUSE	ACTION
Leakage under faucet handle	Locking nut has come loose or cartridge needs to be reseated.	Remove button located at top of handle. Loosen set screw with a phillips screw driver. Remove handle and unscrew cartridge cover by hand. Tighten locking nut with an adjustable wrench.
Water does not shut off completely	Cartridge may need to be adjusted or replaced.	Remove button located at top of handle. Loosen set screw with a phillips screw driver. Remove handle and unscrew cartridge cover by hand. Unscrew locking nut with an adjustable wrench. Remove ceramic disc cartridge. Check for cracks, and if O-ring is seated correctly. Reseat cartridge.
Leaking between spray head and the hose	Spray head may be loose or washer is not seated correctly in the hose connection.	Tighten spray head by hand until snug. Make sure washer is seated correctly.
Low flow	Aerator may be clogged	Unscrew aerator with aerator key. Hold tip of spray head and turn on water to flush debris.
	The screen filter in the hose connectors is dirty.	Turn off the water supply at water valve and unscrew the hose connectors from water supply lines. Clean the screen in the water lines with hot water, removing any debris or calcium build up.
	The diverter may be clogged.	Unscrew the spout nut, remove the spout. Unscrew the diverter cap 7 with 12mm hex key. Remove the diverter 8 with needle pliers, clean it with hot water removing any debris or calcium build up. Reassemble spout.
Water doesn't divert properly from faucet spout to faucet sprayer	The diverter may be clogged.	Unscrew the spout nut, remove the spout. Unscrew the diverter cap 7 with 12mm hex key. Remove the diverter 8 with needle pliers, clean it with hot water removing any debris or calcium build up. Reassemble spout.

## Care & Maintenance

- \* To keep the product clean & shining, follow the steps below:
  1. Rinse with clean water & dry with a soft cloth
  2. Do not clean with soaps, acid, polish, abrasives or harsh cleaners
  3. Do not use cloth with a coarse surface
  4. Unscrew the aerator and clean when necessary



- \* This installation manual is subject to change without further notice.

## Codes/Standards Applicable:



ASME A112.18.1  
1.8GPM 6.8L/min maximum

### FAUCET WARRANTY

Kraus products are manufactured and tested to the highest quality standards by Kraus USA Inc. ("Kraus").

Kraus extends this warranty to the original purchaser for personal household use of the "Faucet" in its original location. The warranty is non-transferable.

Kraus warrants the structure and finish of the product to be free from defects in material and workmanship under normal usage for the lifetime of the product. The warranty commences from the initial date of purchase by the owner or trade professional, from an authorized Kraus dealer, through the lifetime of the original owner or end-user.

Kraus warrants the mechanical components such as but not limited to sprayhead assembly (includes engine, aerators, structure, restrictors, back flow preventers, sprayer hoses, braided supply line hoses which encompasses nylon, silicon and stainless steel, etc) of the product to be free from defects in material and workmanship under normal usage for a period of one (1) year. The warranty commences from the initial date of purchase by the owner or trade professional, from an authorized Kraus dealer, through the one (1) year term of the original owner or end-user.

Kraus warrants the mechanical component (cartridge) of the product to be free from defects in material and workmanship under normal usage for a period of five (5) years. The warranty commences from the initial date of purchase by the owner or trade professional, from an authorized Kraus dealer, through the five (5) year term of the original owner or end-user.

Any product reported to the authorized dealer or to Kraus as being defective within the warranty period will be repaired or replaced with a product of equal value at the option of Kraus. This warranty extends to the original owner or end-user, and is not transferable to a subsequent owner.

### RESTRICTIONS

This warranty does not cover antediluvian, discontinued, or display products, whether such items are purchased at discount outlets, unauthorized dealers, and/or sold on clearance.

This warranty does not cover instances of negligence, misuse, abuse, improper installation, carelessness, accident, hard water or mineral deposits, exposure to corrosive materials, misapplication, damages caused by improper maintenance, alteration of the product, or failure to follow care or installation instructions enclosed with your product. Avoid using abrasive cleaners such as powders, bleach, ammonia, alcohol, or chlorine. Avoid using abrasive pads, steel wool, or wire brushes, as these will damage and wear down the finish.

This warranty does not apply to Products that have not been installed or operated in accordance with instructions supplied by Kraus and all applicable rules, regulations, and legislation pertaining to such installations.

This warranty does not apply unless the Kraus product is installed by a fully insured and licensed trade professional. Kraus insists that such professionals have experience in the installation of bathroom and kitchen manufactured goods.

This warranty does not cover labor charges or costs of removal and reinstallation of said product. This warranty does not allow recovery of incidental or consequential damages, such as loss of use, delay, property damage, or other consequential damages, and Kraus accepts no liability for such damages.

This warranty does not cover Marine or Outdoor Installation.

Except as otherwise provided above, Kraus makes no warranties, expressed or implied, including warranties of merchantability and fitness for a particular purpose, or compliance with any code.

Shipping charges will be covered for the first (1) year of the warranted replacement part or product (HI, AK, and Puerto Rico shipping charges may apply). International shipping fees are not included.

## **COMMERCIAL WARRANTY**

Kraus extends the above warranty for a period of one (1) year to purchasers of products for industrial, commercial, and business use.

All incidental or consequential damages are specifically excluded. No additional warranties, express or implied, are given, including but not limited to any implied warranty of merchantability or fitness for a particular purpose.

Some states do not allow the exclusion or limitation of incidental or consequential damages or limitations on how long an implied warranty lasts, so the above limitations or exclusions may not apply to you.

This warranty gives you specific legal rights, and you may also have other rights which vary from state to state.

KRAUS USA has the right to change, modify, and/or update the warranty policy at any time. For the latest, most up to date comprehensive warranty, go to [www.kraususa.com/warranty](http://www.kraususa.com/warranty)

### **If you are a homeowner please contact a Kraus Customer Service Representative at:**

Kraus USA, Inc.  
12 Harbor Park Drive  
Port Washington, NY 11050  
Toll-free 800-775-0703  
Customerservice@kraususa.com

### **If you are a plumbing contractor or trade professional please contact a Kraus Pro Representative at:**

Kraus USA, Inc.  
12 Harbor Park Drive  
Port Washington, NY 11050  
516-801-8955  
Proservice@kraususa.com

### **If you are an Authorized Partner please contact a Partner Support Representative at:**

Kraus USA, Inc.  
12 Harbor Park Drive  
Port Washington, NY 11050  
516-801-8954  
Partnersupport@kraususa.com

### **In requesting warranty service, please be ready to provide:**

1. Proof of purchase.
2. A description of the problem.

**Download the Kraus Care & Maintenance Guide at:**  
<http://www.kraususa.com/maintenance>

# IMPORTANT

## Register Your Kraus Product

**Activate** Your Warranty

**Access** Premium Customer Support

**Get** Product Information

**REGISTER TODAY**

<http://www.kraususa.com/registration>



**Kräus**<sup>®</sup>  
www.kraususa.com