

# **Kräus**<sup>®</sup>

INSTALLATION MANUAL

## **Merlin™ Single Handle Pull-Down Kitchen Faucet**

KPF-1674

## **Congratulations on the purchase of your new Kraus plumbing fixture!**

Please keep the box and packaging materials until your product is completely installed. If you have any questions, require technical assistance or have any problems with your product:



**DO NOT RETURN TO STORE**

**Please contact our Customer Service Team  
1-800-775-0703 / [customerservice@kraususa.com](mailto:customerservice@kraususa.com)**

Have the model number available and retain a copy of your receipt with purchase date for reference.

If for any reason this product does not meet your expectations, please be sure to repack this product in the original box and packaging material to avoid damage during transit.

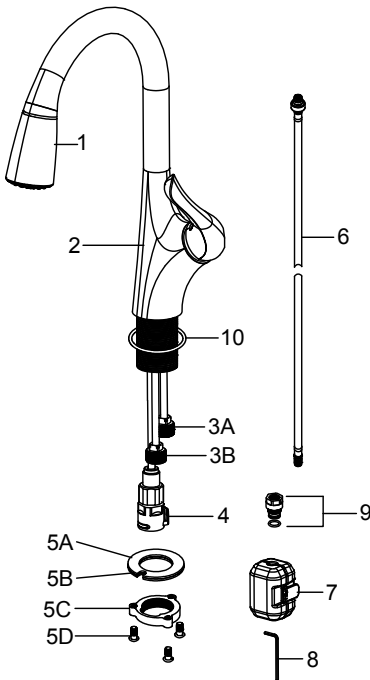
### **Prior to Installation:**

- Make sure you have all necessary parts by checking the diagram and parts list. If any part is missing or damaged, please contact Kraus Customer Service at 800-775-0703 for a replacement.
- Turn off the hot and cold water supply at the angle stops and turn on the old faucet to release any built up pressure. Remove existing faucet. Clean sink or countertop to remove any debris, plumber's putty, or silicone.
- Flush angle stops to release any debris prior to installation.
- Pre-drilled hole size requirement: 1 3/8" (min) - 1 1/2" (max)
- Max countertop thickness: 1 3/8"
- 1 hole installation and 2 or 3 with optional deck plate (not included)

**For technical assistance or replacement parts, please contact Kraus Customer Service and one of our representatives will be happy to help:**

Toll-Free: 800-775-0703 or [customerservice@kraususa.com](mailto:customerservice@kraususa.com)

## Diagram and Parts List

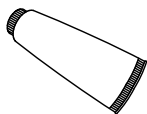


1. Spray Head
2. Faucet Body
3. Hot and Cold Waterlines
  - A. Hot
  - B. Cold
4. Quick Connector
5. Mounting Hardware
  - A. Rubber Washer
  - B. Metal Washer
  - C. Mounting Nut
  - D. Mounting Screws
6. Spray hose
7. Weight
8. Hex Wrench
9. 2.2 GPM Flow Restrictor (BLACK)
10. Base O-Ring

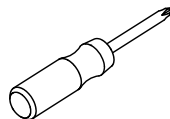
## Tools you will need



Adjustable Wrench



Silicone Sealant  
(optional)

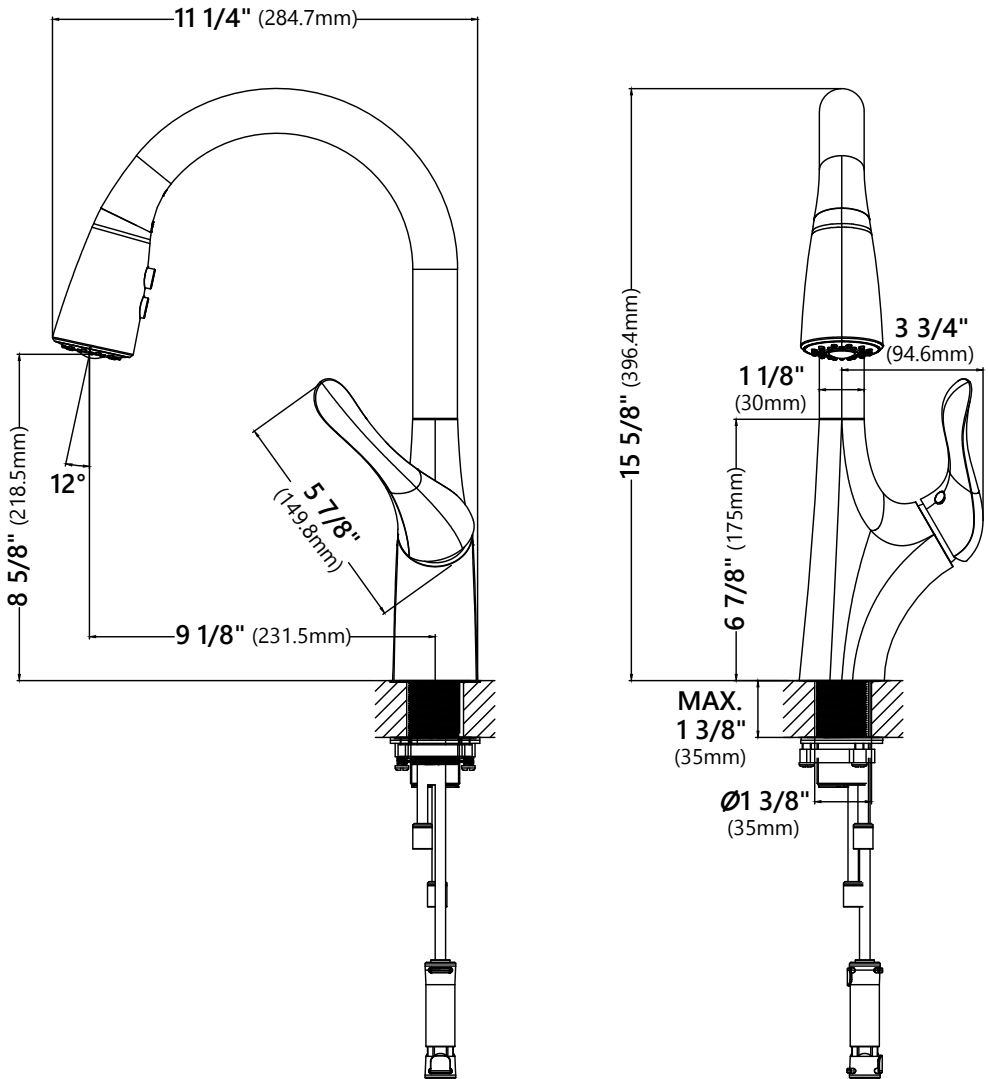


Phillips Screwdriver



Safety Goggles

## Faucet Installation Procedure

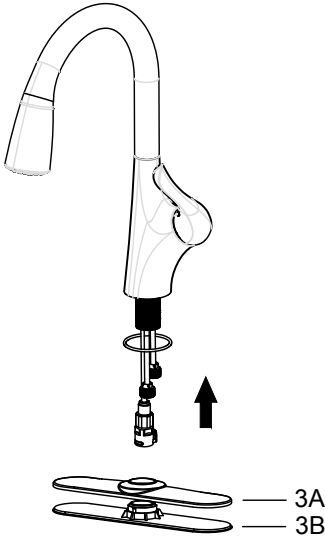


### Installer Tip:

Shut off main water supply before installing new faucet.

## Step 1A. Faucet installation - with deck plate

---

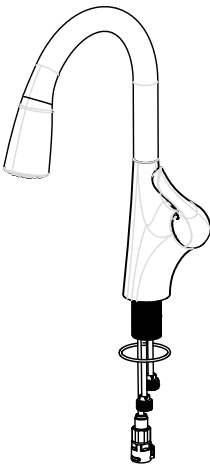


For three-hole installation:  
Deck plate, base plate  
and silicone sealant  
(optional) are required.

**Note: Optional deck plate  
not included.**

## Step 1B. Faucet installation - without deck plate

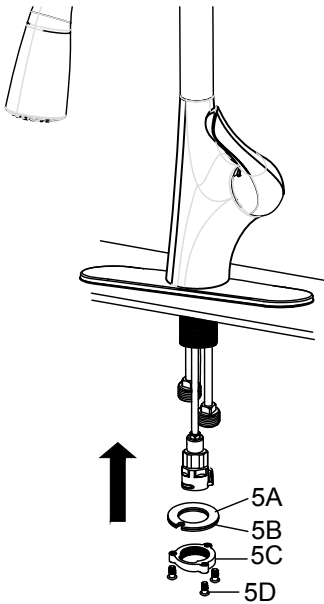
---



For single-hole installation:  
Deck plate, base plate and  
silicone sealant are **NOT**  
required.

## Step 2. Install faucet and mounting hardware

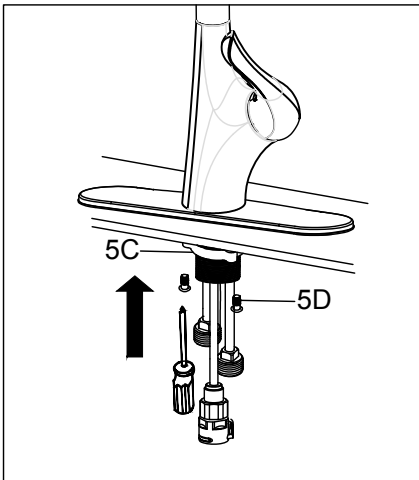
---



Insert faucet body (2) into hole in countertop or deck plate assembly. Install mounting hardware (5A, B, C & D) from underneath the countertop.

## Step 3. Secure mounting hardware

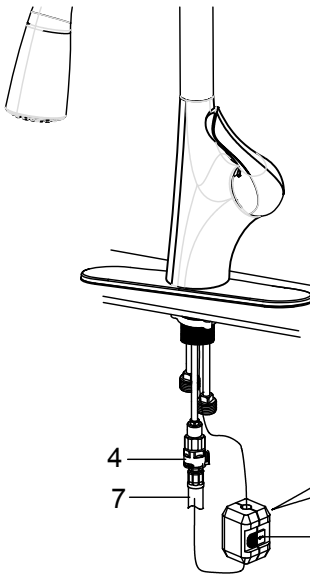
---



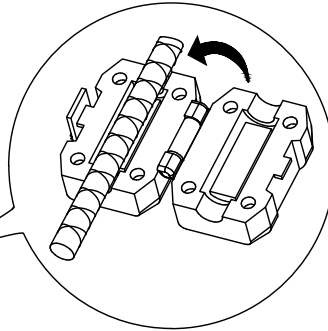
Adjust direction of faucet body (2) so that handle is on right side of faucet. Tighten mounting nut (5C) until snug. Tighten mounting screws (5D) to nut with a Phillips screwdriver until snug.

## Step 4. Attach spray hose and counterweight

---

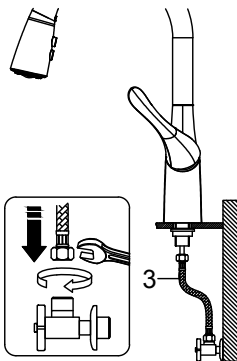


Connect spray hose (7) to quick connector (4) attached to supply line. Install weight (8) on lowest vertical point on spray hose (7).



## Step 5. Connect waterlines

---

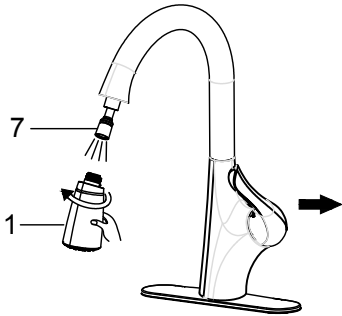


Connect waterlines (3) to angle stops. Tighten both ends of waterlines with a wrench until snug. Turn on hot and cold angle stops and check for leaks.

**NOTE:** Make sure filter washers are installed.

## Step 6. Flush spray hose

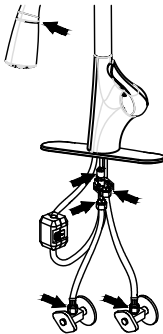
---



Remove spray head (1) from spray hose (7). Hold tip of spray hose (7). Turn faucet on and let the water run for 60 seconds to flush any debris.

## Step 7. Check for leaks

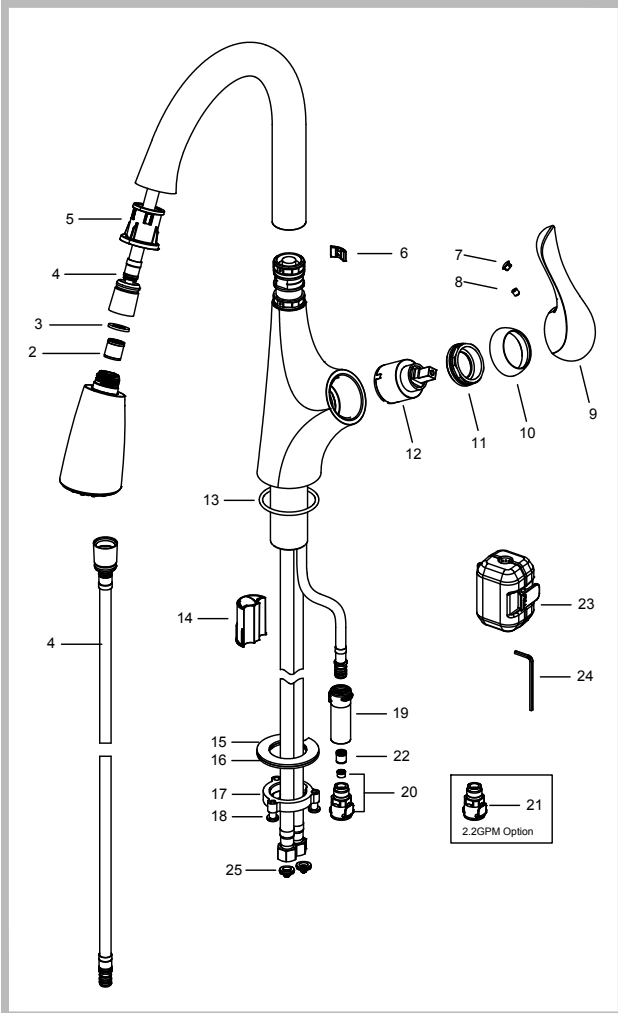
---



Check for leaks at the connections. Retighten if necessary.

**NOTE:** In compliance with CEC standards, this faucet is designed with a 1.8 gpm flow rate. At your discretion, you may modify the product with the included 2.2 gpm restrictor. Please note that doing so will remove the capability of this product to meet specific low-flow standards. Kraus is not liable for any alterations made to the product post-sale, and highly advises that you consult with your local or statewide plumbing enforcement agency prior to any modification.

## Replacement Parts



Replacement Parts List	Finish/Color	Part #
1. Spray Head	SFS, MB*	KP06089
2. Check Valve		KP06107
3. Washer		KP06074
4. Spray Hose	SFS, MB*	KP06097
5. Hose Guide		KP06007
6. Plastic Clip		KP06168
7. Handle Button	SFS, MB*	KP06029
8. Set Screw		KP06054
9. Metal Handle	SFS, MB*	KP06169
10. Cartridge Cover	SFS, MB*	KP06171
11. Locking Nut		KP06170
12. Cartridge		KP06103
13. Base O-Ring		KP06172
14. Protective Sleeve		KP06161
15. Rubber Washer		KP06041
16. Metal Washer		KP06028
17. Mounting Nut		KP06067
18. Mounting Screws		KP06068
19. Quick Connector		KP06173
20. Flow Regulator (1.8gpm)	WH*	KP06174
21. Flow Regulator (2.2gpm)	BL*	KP06175
22. Check Valve		KP06104
23. EZ Weight		KP06015
24. 2.5mm Hex Wrench		KP06050
25. Filter Washer		KP06185

\*Denotes faucet component color options:

SFS - Spot Free Stainless Steel

MB - Matte Black

WH - White

BL - Black

## Trouble-Shooting

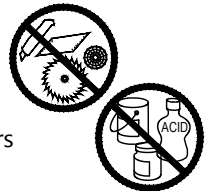
If you have followed the instructions carefully and your faucet still does not work properly, take the following corrective steps:

PROBLEM	CAUSE	ACTION
Leakage under faucet handle	Locking nut has come loose or cartridge needs to be reseated.	Remove button located at top of handle. Loosen set screw with hex wrench. Remove handle and unscrew cartridge cover by hand. Tighten locking nut with an adjustable wrench.
Water does not shut off completely	Cartridge may need to be adjusted or replaced.	Remove button located at top of handle. Loosen set screw with hex wrench. Remove handle and unscrew cartridge cover by hand. Unscrew locking nut with an adjustable wrench. Remove ceramic disc cartridge. Check for cracks, and if O-ring is seated correctly. Reseat cartridge.
Leaking between spray head and the hose	Spray head may be loose or washer is not seated correctly in the hose connection.	Tighten spray head by hand until snug. Make sure washer is seated correctly.
Hose does not retract	Weight may be installed incorrectly.	Readjust weight on hose.
Low flow	Aerator may be clogged  The screen filter in the hose connectors is dirty.	Unscrew aerator with aerator key. Hold tip of spray head and turn on water to flush debris.  Turn off the water supply at water valve and unscrew the hose connectors from water supply lines. Clean the screen in the water lines with hot water, removing any debris or calcium build up.

## Care & Maintenance

To keep the product clean & shining, follow the steps below:

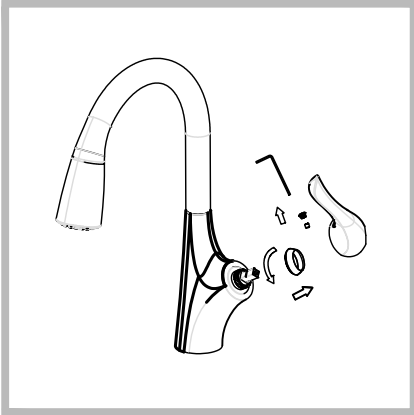
1. Rinse with clean water & dry with a soft cloth
2. Do not clean with soaps, acid, polish, abrasives or harsh cleaners
3. Do not use cloth with a coarse surface
4. Unscrew the aerator and clean when necessary



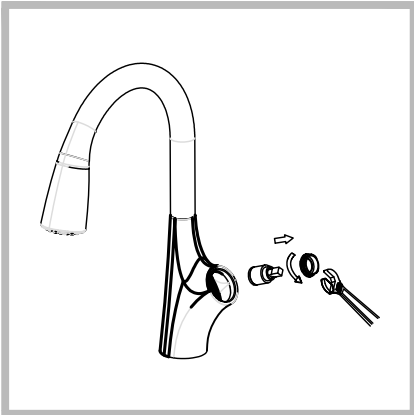
This installation manual is subject to change without further notice.

## Maintenance - Cartridge Replacement

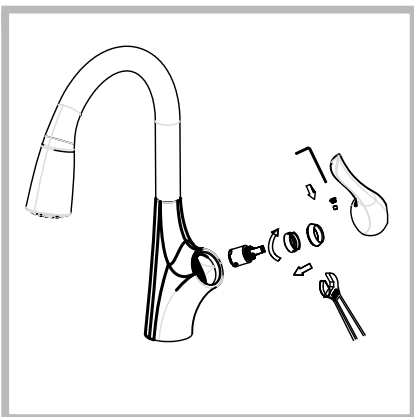
---



**Step 1:** Remove button located at the top of the handle. Loosen the set screw with a hex wrench. Remove the handle and unscrew cartridge cover by hand.



**Step 2:** Unscrew the locking nut with an adjustable wrench. Remove ceramic disc cartridge.



**Step 3:** Place the new cartridge in the handle seat. Secure the cartridge with the locking nut and assemble the handle.

## Codes/Standards Applicable:



ASME A112.18.1  
1.8GPM 6.8L/min maximum

### FAUCET WARRANTY

Kraus products are manufactured and tested to the highest quality standards by Kraus USA Inc. ("Kraus").

Kraus extends this warranty to the original purchaser for personal household use of the "Faucet" in its original location. The warranty is non-transferable.

Kraus warrants the structure and finish of the product to be free from defects in material and workmanship under normal usage for the lifetime of the product. The warranty commences from the initial date of purchase by the owner or trade professional, from an authorized Kraus dealer, through the lifetime of the original owner or end-user.

Kraus warrants the mechanical components such as but not limited to sprayhead assembly (includes engine, aerators, structure, restrictors, back flow preventers, sprayer hoses, braided supply line hoses which encompasses nylon, silicon and stainless steel, etc) of the product to be free from defects in material and workmanship under normal usage for a period of one (1) year. The warranty commences from the initial date of purchase by the owner or trade professional, from an authorized Kraus dealer, through the one (1) year term of the original owner or end-user.

Kraus warrants the mechanical component (cartridge) of the product to be free from defects in material and workmanship under normal usage for a period of five (5) years. The warranty commences from the initial date of purchase by the owner or trade professional, from an authorized Kraus dealer, through the five (5) year term of the original owner or end-user.

Any product reported to the authorized dealer or to Kraus as being defective within the warranty period will be repaired or replaced with a product of equal value at the option of Kraus. This warranty extends to the original owner or end-user, and is not transferable to a subsequent owner.

### RESTRICTIONS

This warranty does not cover antediluvian, discontinued, or display products, whether such items are purchased at discount outlets, unauthorized dealers, and/or sold on clearance.

This warranty does not cover instances of negligence, misuse, abuse, improper installation, carelessness, accident, hard water or mineral deposits, exposure to corrosive materials, misapplication, damages caused by improper maintenance, alteration of the product, or failure to follow care or installation instructions enclosed with your product. Avoid using abrasive cleaners such as powders, bleach, ammonia, alcohol, or chlorine. Avoid using abrasive pads, steel wool, or wire brushes, as these will damage and wear down the finish.

This warranty does not apply to Products that have not been installed or operated in accordance with instructions supplied by Kraus and all applicable rules, regulations, and legislation pertaining to such installations.

This warranty does not apply unless the Kraus product is installed by a fully insured and licensed trade professional. Kraus insists that such professionals have experience in the installation of bathroom and kitchen manufactured goods.

This warranty does not cover labor charges or costs of removal and reinstallation of said product. This warranty does not allow recovery of incidental or consequential damages, such as loss of use, delay, property damage, or other consequential damages, and Kraus accepts no liability for such damages.

This warranty does not cover Marine or Outdoor Installation.

Except as otherwise provided above, Kraus makes no warranties, expressed or implied, including warranties of merchantability and fitness for a particular purpose, or compliance with any code.

Shipping charges will be covered for the first (1) year of the warranted replacement part or product (HI, AK, and Puerto Rico shipping charges may apply). International shipping fees are not included.

## **COMMERCIAL WARRANTY**

Kraus extends the above warranty for a period of one (1) year to purchasers of products for industrial, commercial, and business use.

All incidental or consequential damages are specifically excluded. No additional warranties, express or implied, are given, including but not limited to any implied warranty of merchantability or fitness for a particular purpose.

Some states do not allow the exclusion or limitation of incidental or consequential damages or limitations on how long an implied warranty lasts, so the above limitations or exclusions may not apply to you.

This warranty gives you specific legal rights, and you may also have other rights which vary from state to state.

KRAUS USA has the right to change, modify, and/or update the warranty policy at any time. For the latest, most up to date comprehensive warranty, go to [www.kraususa.com/warranty](http://www.kraususa.com/warranty)

### **If you are a homeowner please contact a Kraus Customer Service Representative at:**

Kraus USA, Inc.  
12 Harbor Park Drive  
Port Washington, NY 11050  
Toll-free 800-775-0703  
[Customerservice@kraususa.com](mailto:Customerservice@kraususa.com)

### **If you are a plumbing contractor or trade professional please contact a Kraus Pro Representative at:**

Kraus USA, Inc.  
12 Harbor Park Drive  
Port Washington, NY 11050  
516-801-8955  
[Proservice@kraususa.com](mailto:Proservice@kraususa.com)

### **If you are an Authorized Partner please contact a Partner Support Representative at:**

Kraus USA, Inc.  
12 Harbor Park Drive  
Port Washington, NY 11050  
516-801-8954  
[Partnersupport@kraususa.com](mailto:Partnersupport@kraususa.com)

### **In requesting warranty service, please be ready to provide:**

1. Proof of purchase.
2. A description of the problem.

**Download the Kraus Care & Maintenance Guide at:**  
<http://www.kraususa.com/maintenance>



# IMPORTANT

## Register Your Kraus Product

**Activate** Your Warranty

**Access** Premium Customer Support

**Get** Product Information

**REGISTER TODAY**

<http://www.kraususa.com/registration>



**Kräus**<sup>®</sup>  
www.kraususa.com