

# KP1TS25S-1

25 Inch Drop-In / Top Mount Single Bowl  
Stainless Steel Kitchen Sink

# Kräus<sup>®</sup>

SPECIFICATION SHEET

## Sink Dimensions

Overall Dimensions: 25" x 22"

Bowl Dimensions: 23" x 18"

Sink Depth: 9"

## Features

- 16 Gauge Stainless Steel Construction
- Top Mount Single Bowl Sink
- Required Minimum Cabinet Size: 27" Left to Right, 24" Front to Back
- Rear Center-Set Drain
- 3 1/2" Drain Opening
- NoiseDefend Undercoating and Sound Dampening Pads

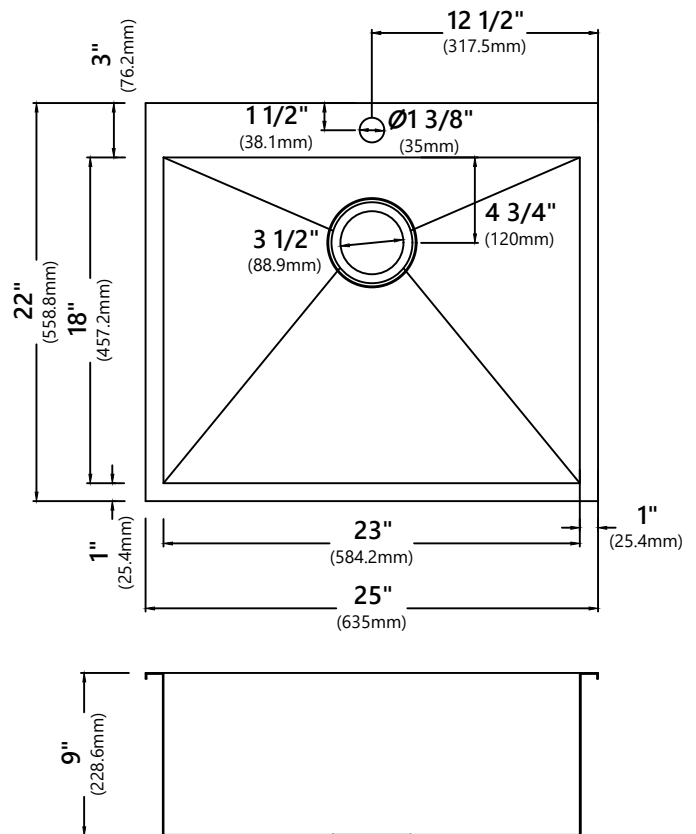
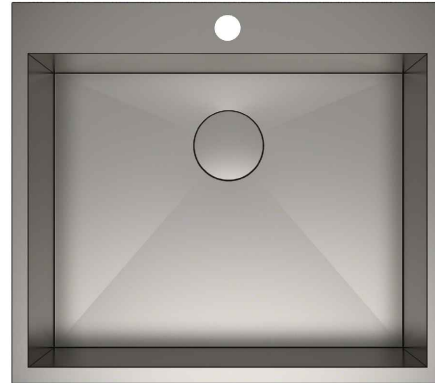
## Accessories Included

- Strainer ST-1
- Cover Cap STC-2
- Bottom Grid KBG-P2318
- Cut-Out Template
- Silicone Mitt KSM-1BLACK
- Silicone Trivet KST-1BLACK
- Mounting Hardware

## CODES/STANDARDS:

### Product Certification

cUPC (ASME A112.19.3/CSA B45.4)



## Warranty

Kraus Limited Lifetime Warranty

see website for details [www.kraususa.com](http://www.kraususa.com)