

KHF204-33

33 Inch Double Bowl Stainless Steel Farmhouse Kitchen Sink

Kräus[®]

SPECIFICATION SHEET

Sink Dimensions

Overall Dimensions: 32 7/8" x 20 3/4"

Larger Bowl Dimensions: 17 3/8" x 16"

Smaller Bowl Dimensions: 11 5/8" x 16"

Sink Depth: 10"

Features

- 16 Gauge Stainless Steel Construction
- Apron Front Handmade Double Bowl Sink
- 40/60 Bowl Split
- Required Minimum Cabinet Size: 33" Left to Right, 24" Front to Back
- Rear Center Set Drains
- 3 1/2" Drain Opening
- NoiseDefend Undercoating and Sound Dampening Pads

Accessories Included

- Strainer BST-1/ST-1
- Bottom Grid KBG-204-33-1
- Bottom Grid KBG-204-33-2
- Cut-Out Template
- Towel

CODES/STANDARDS:

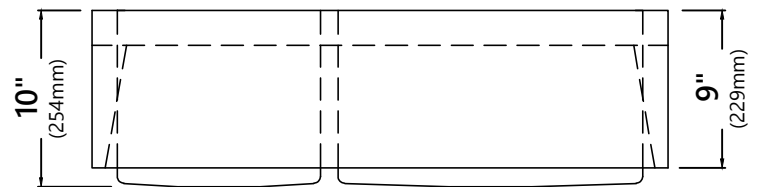
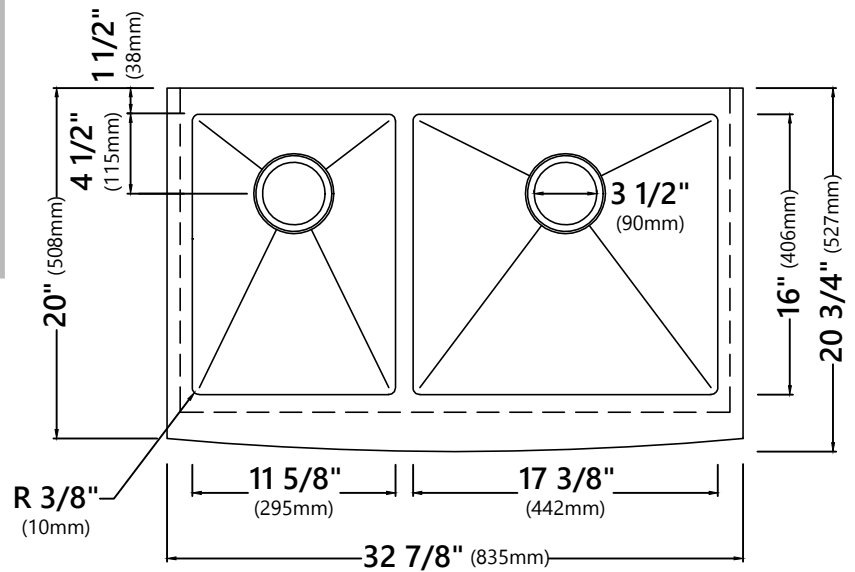
Product Certification

cUPC (ASME A112.19.3/CSA B45.4)

Warranty

Kraus Limited Lifetime Warranty

see website for details www.kraususa.com



ST-1

Stainless Steel Kitchen Sink Strainer

Strainer Dimensions

Overall Dimensions: $\phi 4 \frac{1}{2}''$ x $3 \frac{3}{4}''$

Features

- Premium Stainless Steel construction
- Fits Standard $3 \frac{1}{2}''$ or $4''$ Drain Opening
- Open/Close Stopper Prevents Debris from Clogging Drain Pipe

Available Finishes

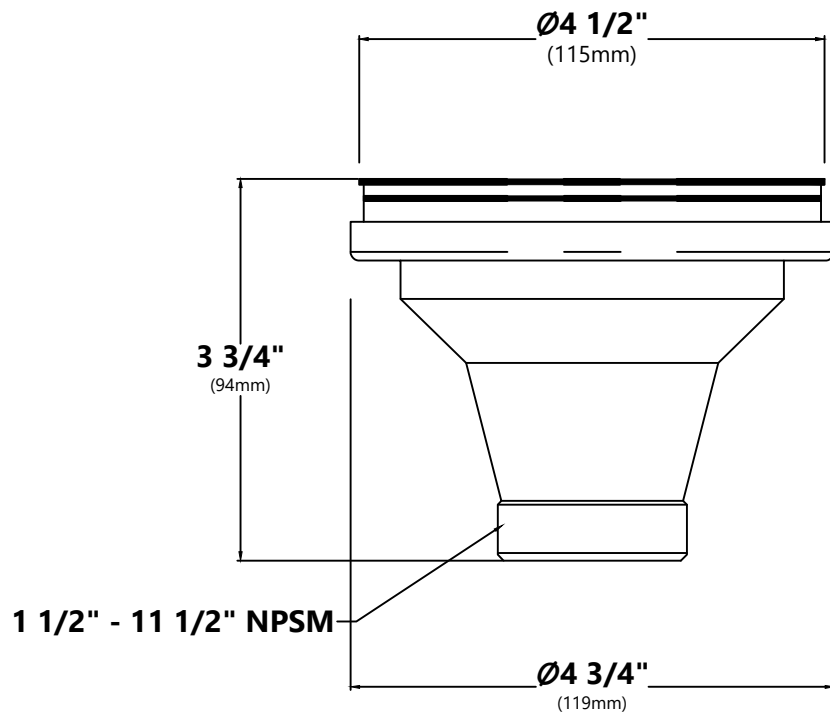
- Stainless Steel



Warranty

Kraus Limited Lifetime Warranty

see website for details www.kraususa.com



BST-1

Stainless Steel Basket Strainer

Basket Strainer Dimensions

Overall Dimensions: 4 1/2" x 4 1/2"

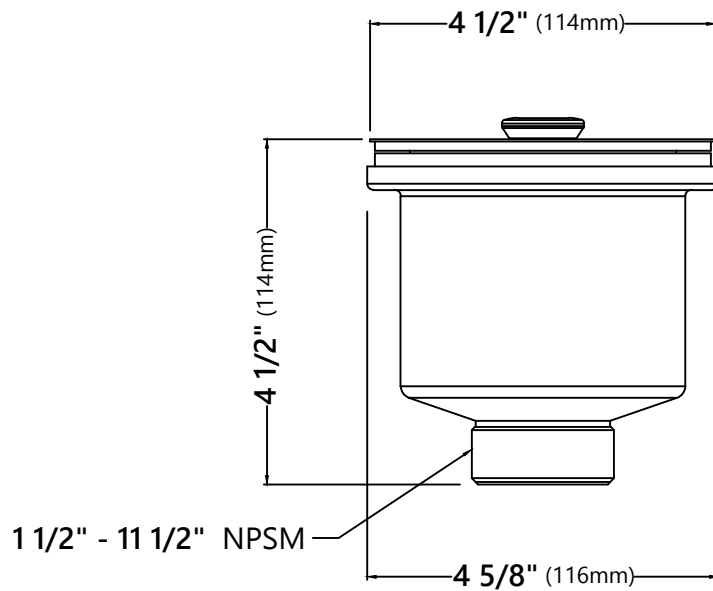
Features

- Premium Stainless Steel Construction
- Fits Standard 3 1/2" or 4" Drain Openings
- Removable Basket Prevents Debris from Clogging Drain Pipe

Warranty

Kraus Limited Lifetime Warranty

see website for details www.kraususa.com



KBG-204-33-1

Stainless Steel Kitchen Sink Bottom Grid

Grid Dimensions

Overall Dimensions: 17 1/8" x 15 1/2" x 1 3/8"

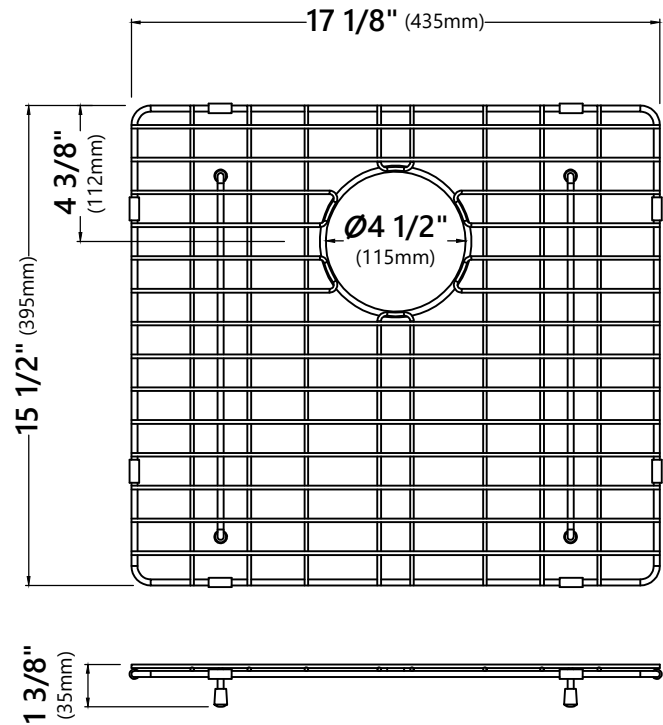
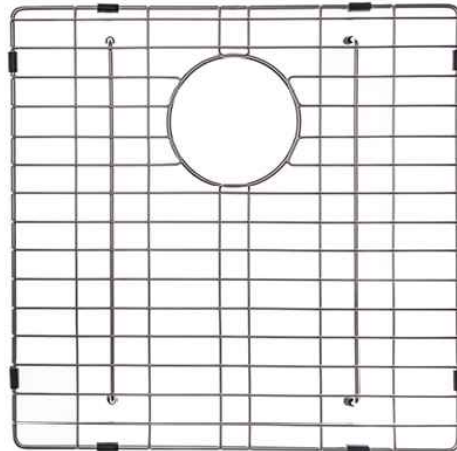
Features

- Commercial grade stainless steel construction
- For Use with the KHF204-33 kitchen sink
- Protects bottom of sink from daily wear and tear
- Rubber feet provide additional protection

Warranty

Kraus One Year Limited Warranty

see website for details www.kraususa.com



KBG-204-33-2

Stainless Steel Kitchen Sink Bottom Grid

Grid Dimensions

Overall Dimensions: 11 1/4" x 15 3/4" x 1 1/8"

Features

- Commercial grade stainless steel construction
- For Use with the KHF204-33 kitchen sink
- Protects bottom of sink from daily wear and tear
- Rubber feet provide additional protection

Warranty

Kraus One Year Limited Warranty

see website for details www.kraususa.com

