

ST-2

Stainless Steel Kitchen Sink Strainer

Strainer Dimensions

Overall Dimensions: $\text{Ø}4\ 1/2''$ x $3\ 3/4''$

Features

- Premium Stainless Steel construction
- Fits Standard $3\ 1/2''$ or $4''$ Drain Opening
- Open/Close Stopper Prevents Debris from Clogging Drain Pipe

Available Finishes

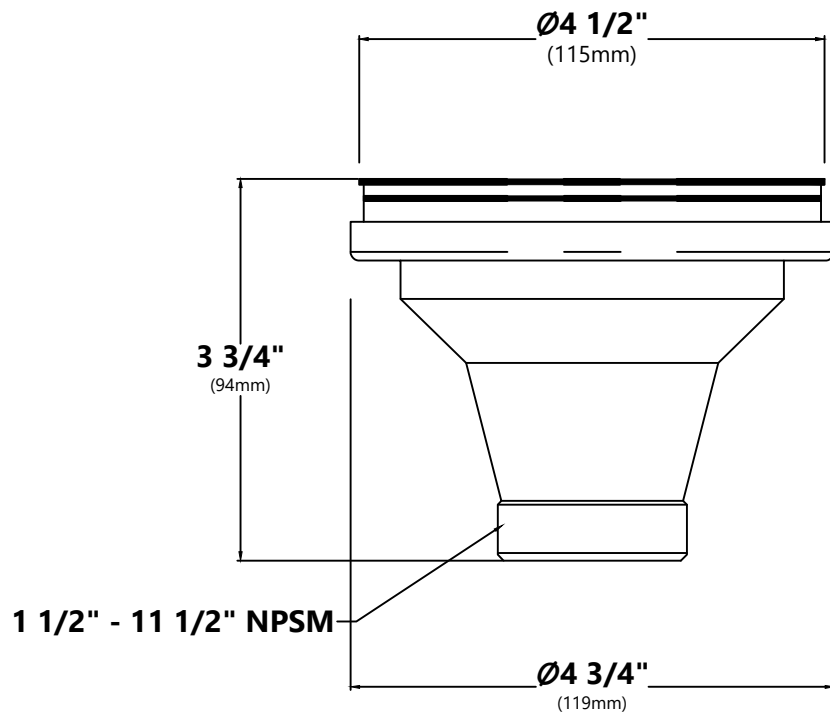
- Stainless Steel



Warranty

Kraus 1 Year Limited Warranty

see website for details www.kraususa.com



BST-2

Stainless Steel Basket Strainer

Basket Strainer Dimensions

Overall Dimensions: 4 1/2" x 4 1/2"

Features

- Premium Stainless Steel Construction
- Fits Standard 3 1/2" or 4" Drain Openings
- Removable Basket Prevents Debris from Clogging Drain Pipe



Warranty

Kraus 1 Year Limited Warranty

see website for details www.kraususa.com

