

Installation instructions

Topmount Sinks

General Recommendations:

Please

Read installation and maintenance instruction thoroughly.
Be sure to use proper tools and always wear personal safety devices for your protection

Warranty

HOUZER stainless steel sinks are produced to highest manufacturing standards using premium grade type-304 stainless steel and are covered by a limited lifetime warranty.
Carefully follow the step-by-step installation instructions.
That way you'll ensure complete satisfaction and protect your warranty.

Long-Life care

HOUZER Stainless Steel Sinks are easy to keep new looking, longer, with minimal care. For the best results, always rinse with a mild soap and wipe dry after each use. Rub lightly with soft cloth in direction of grain line on a regular basis. To avoid damage to sink surface and discoloration, never use a steel wool or scouring pad.

Tools and Materials needed:

Tape Measure	Denatured Alcohol	Hacksaw/Jigsaw
Pencil (NOT ink)	Mounting Clips (included)	
Silicone Adhesive Sealant	Eye Protection	
Rags	Ear Protection	

Be sure to use proper tools and always wear personal safety devices for your protection.

Installation Instructions

1. Remove your new sink from the carton. Use caution as sink edges may cause minor cuts. Wear safety gloves for your protection.
2. If you are replacing old sink, remove old one and verify existing countertop opening will fit your new sink by setting it temporarily.
3. If you are installing a sink to a new counter top please follow directions as shown. (For model 3120-8BS please see template that comes with the sink)
4. Place sink upside down on the counter top in desired position and trace completely outside sink rim using soft lead pencil. (Figure 1)
5. Remove sink from counter top and draw cutout line $5/16''$ inside the original rim outside line with $1-1/2''$ radius at corners. Drill hole at the inside corner of the cutout line. (Figure 2)
6. Using a jig saw, start cutting from the drilled hole along the cutout line. Support cutout until the cut is completed. (Figure 3)

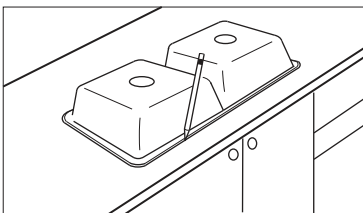


Figure 1

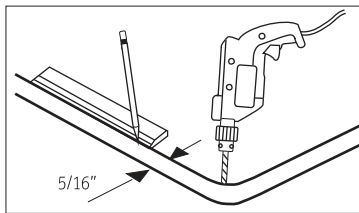


Figure 2

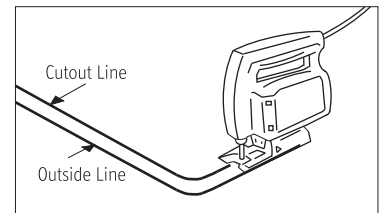
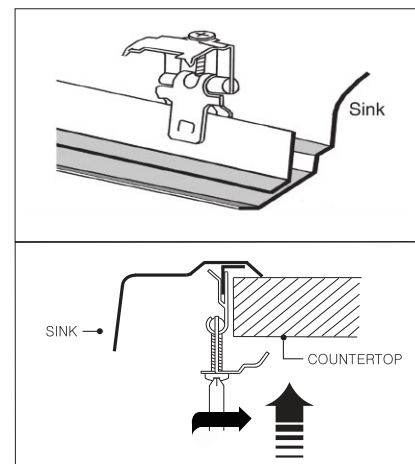


Figure 3

7. Apply caulking compound around the perimeter of the cutout opening
8. Attach faucet and strainers as necessary according to the manufacturer's instructions.
9. Verify your sink installation channel and clips that came with the sink and follow proper instructions below.

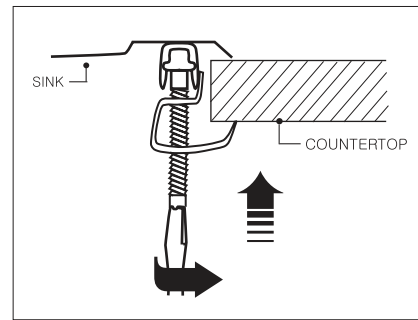
I-Channel System L-shaped single blade channel

10. Place the sink upside down. Hold clip by the bracket firmly and insert one leg at a time in 45 degree angle to the slot in the I-channel, facing sharp teeth toward the outer edge of the sink.
11. Attach 3 clips in front and back. 2 clips to each side. Use extreme caution while inserting clips as the teeth are sharp and may cause injury.
12. Place the sink carefully into the cutout opening and be sure it is properly seated. Make sure the sink rim covers caulking all around. Then press down firmly around perimeter of the sink rim. (Go to 13)



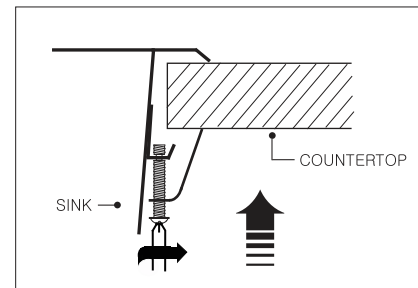
U-channel System U-shaped double blade channel

10. Insert clip into the channel from the end, placing screw head inside the channel. Locate 3 clips in front and back. 2 clips to each side and arrange spacing evenly around the sink. Position the clip assembly parallel to the channel.
11. Place the sink carefully into the cutout opening and be sure it is properly seated. Make sure sink rim covers caulking all around. Press down firmly around the perimeter of the sink rim.
12. Rotate clamp of the clip 90 degree to the channel and tighten screw clockwise from the center clip using long screw driver.(Go to 13)



J-bracket System J-shaped bracket with long screw

10. Insert bolt (with L-clip attached) horizontally into round opening of the bracket.
11. Swing the bolt down vertically; the spacer between the threads will self-center the bolt.
12. Grasp the L-clip and ensure long side is facing out and away from sink. Turn bolt clockwise; this action will begin snugging up the L-clip towards the underside of countertop. (Go to 13)
13. Tighten all clips evenly and do not over tighten as damage can result. Install drain and water supply fitting as necessary. Wipe excess caulking compound and check carefully as some adjustment for position and tightness may be required.



Lifetime Limited Warranty

HOUZER stainless steel sinks are produced to the highest manufacturing standards and are covered by a limited lifetime warranty that protects the original purchaser against any defects in materials and workmanship under normal use. If upon determination by HOUZER that the sink is defective, HOUZER will replace without charge, with an equivalent sink or refund, will be sent to the original purchaser that it has been used in a residential application and installed, used and maintained according to the instructions supplied with the sink, and not damaged due to abuse, misuse or negligence.

This warranty will not cover any labor charges incurred in installation, removal, replacement or repair, transportation cost or any consequential damages, which might be caused by the product. HOUZER shall not be liable in case of;

- Improper installation or modification of original product.
- Damages resulting from abuse, such as scratches by dropping heavy objects into the sink
- Scratches resulting from scrubbing with steel wool, abrasive pads or cleaners
- Improper application such as exposure to corrosive chemicals, or photographic solutions
- Any commercial application

If the original purchaser finds a defect in material or workmanship, please contact HOUZER Warranty Service, 2605 Kuser Road, Hamilton, NJ 08691. Please include proof of purchase or sales receipt. The law in some states may expand or modify this warranty. This warranty supersedes all other warranties, expressed or implied.

Care and Maintenance

ALWAYS

- Clean everyday by thoroughly rinsing with a mild soap and warm water and wipe dry.
- Rub lightly with a soft cloth in the direction of grain lines on a regular basis for additional preventive cleaning.
- Keep the sink free of any standing water as this can cause a buildup of mineral deposit, which can affect the appearance of your sink.
- Any stubborn stains should be removed by scrubbing in the direction of the grain with a mild abrasive such as Comet.
- Always rinse the sink after using any cleaning agent and wipe dry.
Clean any mineral deposits built up over time with a mild solution of vinegar and water followed by a thorough flushing with water.
- Remove any scratches with a Scotch-Brite pad and cleaning agent rubbing in the direction of the grain. NOT RECOMMENDED FOR MIRROR FINISH.

NEVER

- Leave water spots, steel cookware or utensils in the sink for lengthy periods; iron particles often develop rust spots in the stainless steel surface.
- Use a steel wool or scoring pad as it damages the sink surface and causes discoloration.
- Let household cleaning agents or bleach sit in your sink for long periods of time as this may ruin the finish of your sink.
- Leave rubber mats, sponges or cleaning pads in the sink overnight as this will trap water and could stain and discolor the sink surface.
- Use any drain cleaning products containing sulfuric or hydrochloric acid as this will attack the sink. Silver cleaners can also contain acids that will damage the sink surface.
- Use the inside of the sink as a cutting surface.

TYPE304
PREMIUM STAINLESS STEEL

SpecPlus
EDGE
The Stronger Edge You Can Buy

StoneGuard
UNDERCOAT PROTECTION

SUPER
SILENCER

Lifetime
Warranty

UPC

SP
US

ASME A112.19.3-2000