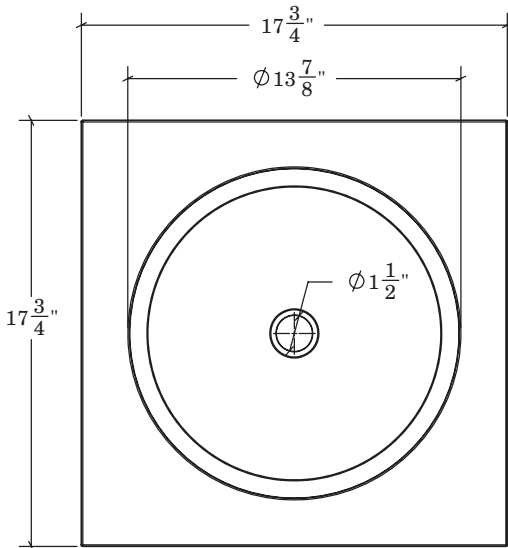




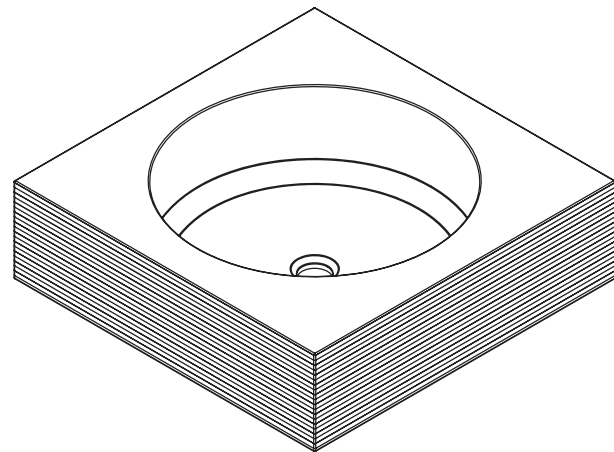
## GS-107

**FEATURES:**

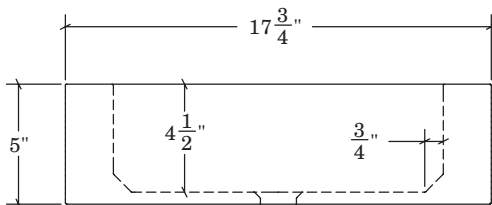
- \* Sink Size : 17 5/8" x 17 5/8" x 5"
- \* Material: Crystal Layered Glass
- \* Counter Top Sink
- \* Recommended Drain: DS-003
- \* For Use With Standard Pop Up Drain
- \* Warranty: One Year Limited Warranty



TOP VIEW



3D VIEW



FRONT VIEW

### JOB INFORMATION:

Job Name \_\_\_\_\_  
 Date Specified \_\_\_\_\_  
 Contractor \_\_\_\_\_

\* Specifications and drawings provided on this sheet are for illustration only. Cantrio Koncepts will not be held responsible for cutouts made without the actual product or product template.