



# NOVATTO

## GF-057BN CASCADE Waterfall Vessel Faucet

Requested By: \_\_\_\_\_

Specific Features: \_\_\_\_\_

### STANDARD SPECIFICATIONS:

- Brushed nickel finish
- Single handle control
- Solid brass construction
- High pressure ceramic cartridge
- Single hole deck mount installation
- 1.5-inch diameter hole required
- cUPC and AB1953 low lead compliant
- ASME A112.18.1-1-2011/CSA B125.1-11
- NSF 61 and NSF 372 certified
- Watersavers available

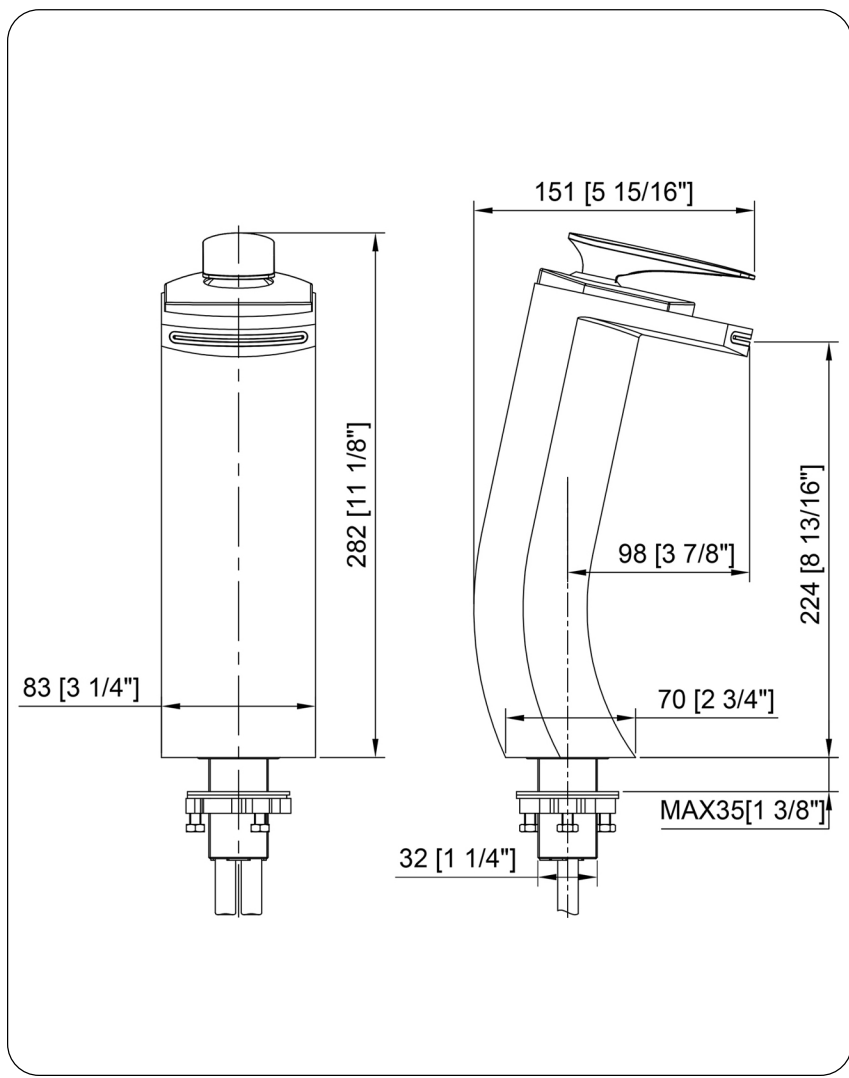
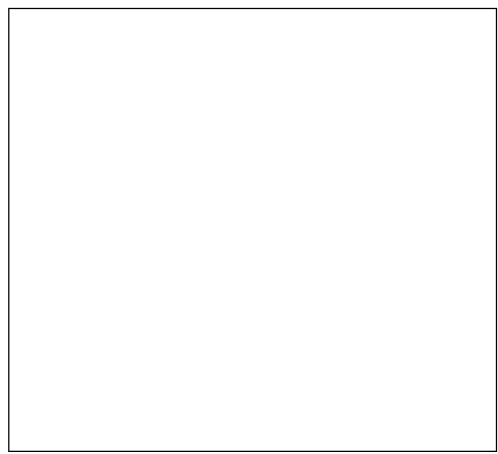
### WARRANTY:

- Limited lifetime warranty
- See [www.Novatto.com](http://www.Novatto.com) for details

### COORDINATING ACCESSORIES:

- PUD-BN pop-up drain
- MR-001BN mounting ring
- Glacier Ice Restoration and Sealer kit

### NOTES



Novatto reserves the right (1) to make changes in specifications and materials, and (2) to change or discontinue models, both without notice or obligation. Dimensions are for reference only, see [www.Novatto.com](http://www.Novatto.com) for finish options and product availability.

Novatto Inc  
TOLL FREE 844.404.4242  
[www.Novatto.com](http://www.Novatto.com)



**GF-057CH CASCADE  
Waterfall Vessel Faucet**

Requested By: \_\_\_\_\_

Specific Features: \_\_\_\_\_

**STANDARD SPECIFICATIONS:**

- Chrome finish
- Single handle control
- Solid brass construction
- High pressure ceramic cartridge
- Single hole deck mount installation
- 1.5-inch diameter hole required
- cUPC and AB1953 low lead compliant
- ASME A112.18.1-1-2011/CSA B125.1-11
- NSF 61 and NSF 372 certified
- Watersaver available

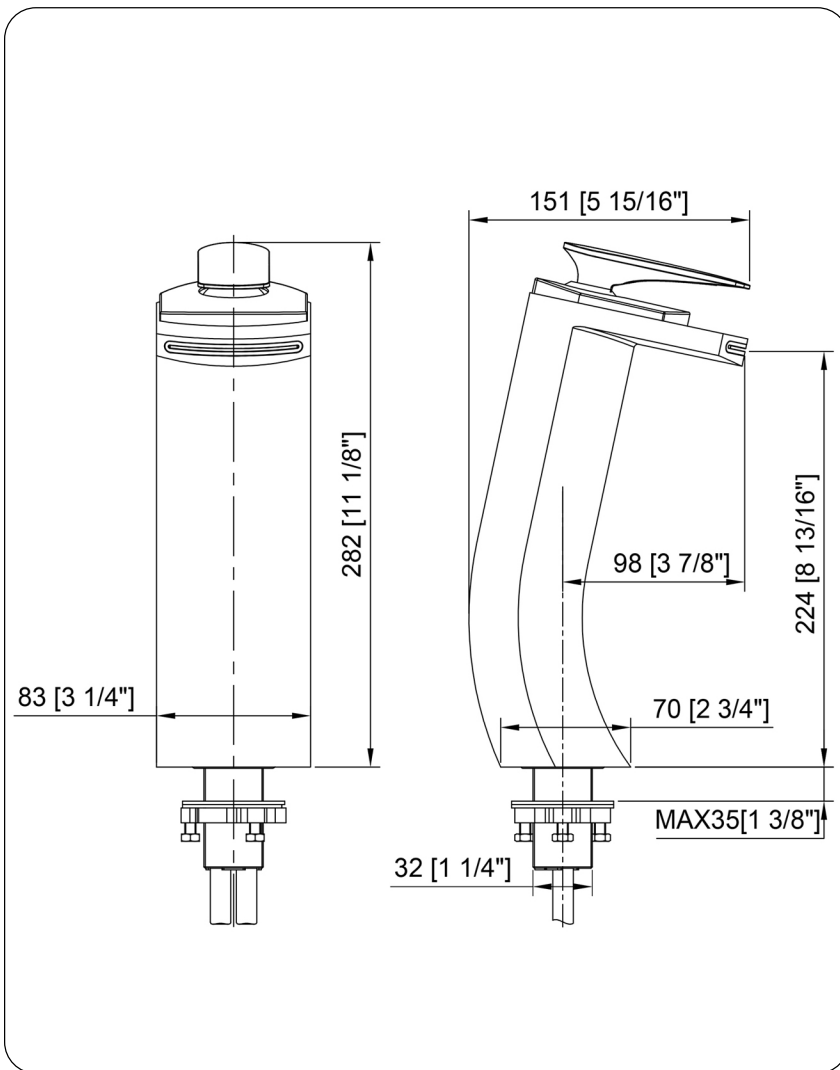
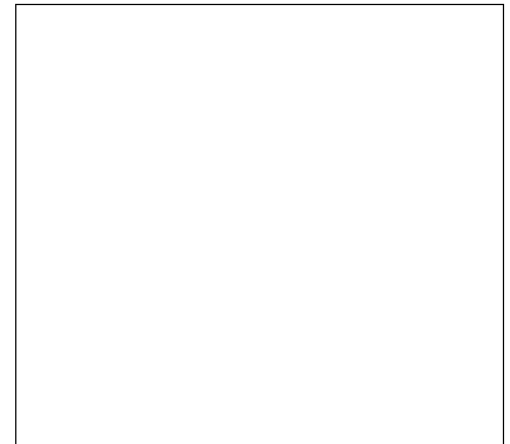
**WARRANTY:**

- Limited lifetime warranty
- See [www.Novatto.com](http://www.Novatto.com) for details

**COORDINATING ACCESSORIES:**

- PUD-CH pop-up drain
- MR-001CH mounting ring
- Glacier Ice Restoration and Sealer kit

**NOTES**



Novatto reserves the right (1) to make changes in specifications and materials, and (2) to change or discontinue models, both without notice or obligation. Dimensions are for reference only, see [www.Novatto.com](http://www.Novatto.com) for finish options and product availability.

Novatto Inc  
TOLL FREE 844.404.4242  
[www.Novatto.com](http://www.Novatto.com)



**GF-057ORB CASCADE  
Waterfall Vessel Faucet**

Requested By: \_\_\_\_\_

Specific Features: \_\_\_\_\_

**STANDARD SPECIFICATIONS:**

- Oil rubbed bronze finish
- Single handle control
- Solid brass construction
- High pressure ceramic cartridge
- Single hole deck mount installation
- 1.5-inch diameter hole required
- cUPC and AB1953 low lead compliant
- ASME A112.18.1-1-2011/CSA B125.1-11
- NSF 61 and NSF 372 certified
- Watersavers available

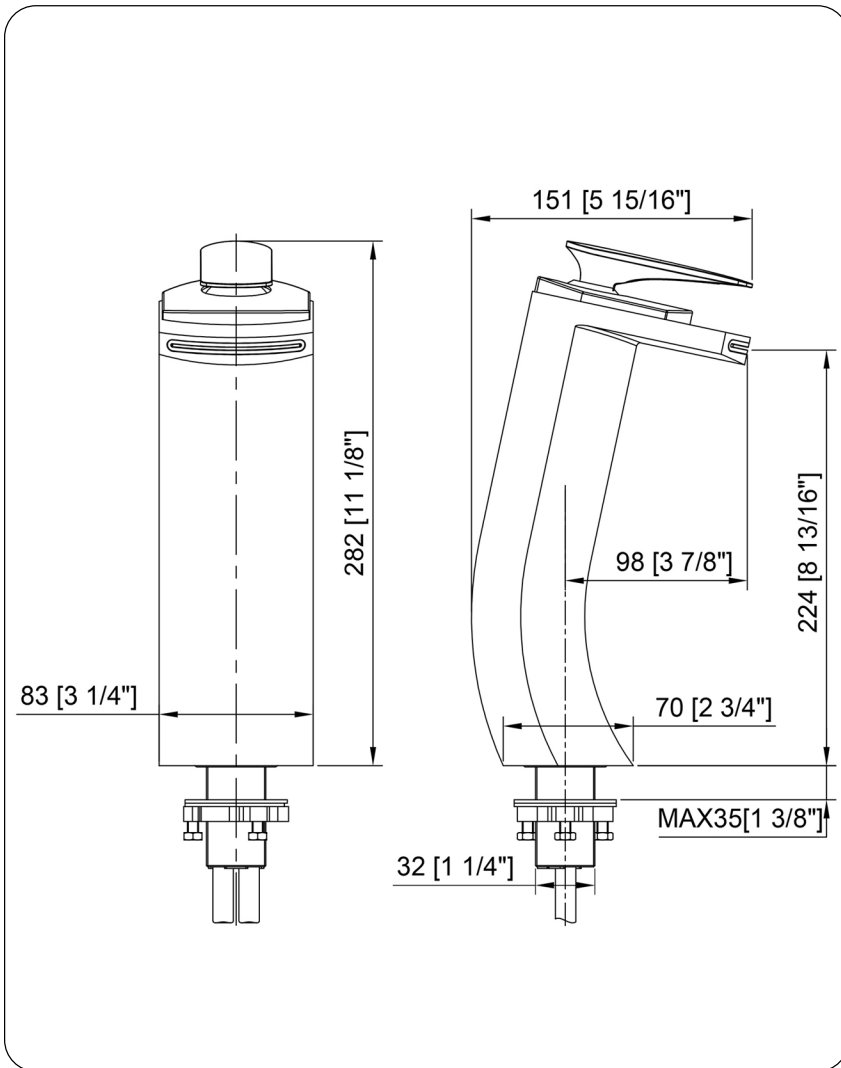
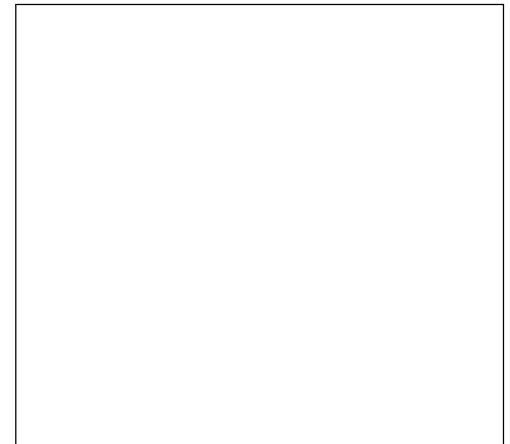
**WARRANTY:**

- Limited lifetime warranty
- See [www.Novatto.com](http://www.Novatto.com) for details

**COORDINATING ACCESSORIES:**

- PUD-ORB pop-up drain
- MR-001ORB mounting ring
- Glacier Ice Restoration and Sealer kit

**NOTES**



Novatto reserves the right (1) to make changes in specifications and materials, and (2) to change or discontinue models, both without notice or obligation. Dimensions are for reference only, see [www.Novatto.com](http://www.Novatto.com) for finish options and product availability.

Novatto Inc  
TOLL FREE 844.404.4242  
[www.Novatto.com](http://www.Novatto.com)