

The logo for Kraus, featuring the brand name in a white serif font with a registered trademark symbol. The letter 'K' is stylized with a vertical line through it, and the 'ä' has a small crown-like element above it. The logo is set against a black square background.

**Kraus<sup>®</sup>**

INSTALLATION MANUAL

# Ramus Single Handle Lavatory Faucet

FVS-1007

## Thank You

Kraus would like to take this opportunity to thank you for purchasing our products. It is our sincere hope that you are completely satisfied with your new purchase and enjoy it for years to come. We welcome any questions or comments you may have, and look forward to assisting you in the future.

For more information about Kraus products, please visit our website at [www.kraususa.com](http://www.kraususa.com).

In order to allow us to serve you better, we recommend registering your new Kraus product at:

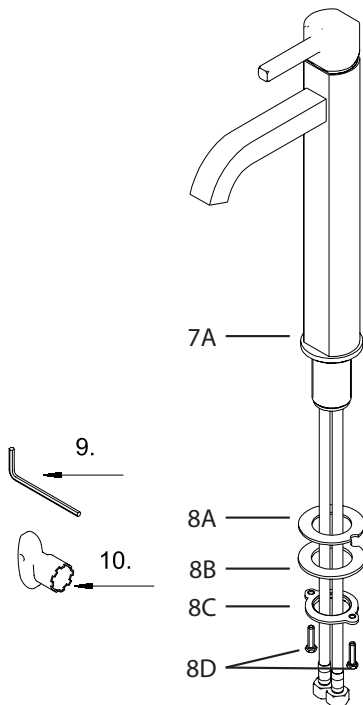
[www.kraususa.com/product-registration](http://www.kraususa.com/product-registration)

*Sincerely,*

*Kraus Customer Service Department*

## BEFORE INSTALLATION

Check to make sure you have the following parts:



### Included Parts:

- Faucet
- Rubber Washer
- Metal Washer
- Mounting Nut
- Mounting Screws
- Base Trim Ring
- Rubber Washer
- Hot & Cold Waterlines

### TOOLS REQUIRED:



Adjustable  
Wrench



Pipe Tape



Phillips Head  
Screwdriver



Silicone  
Sealant



Hex  
Wrench

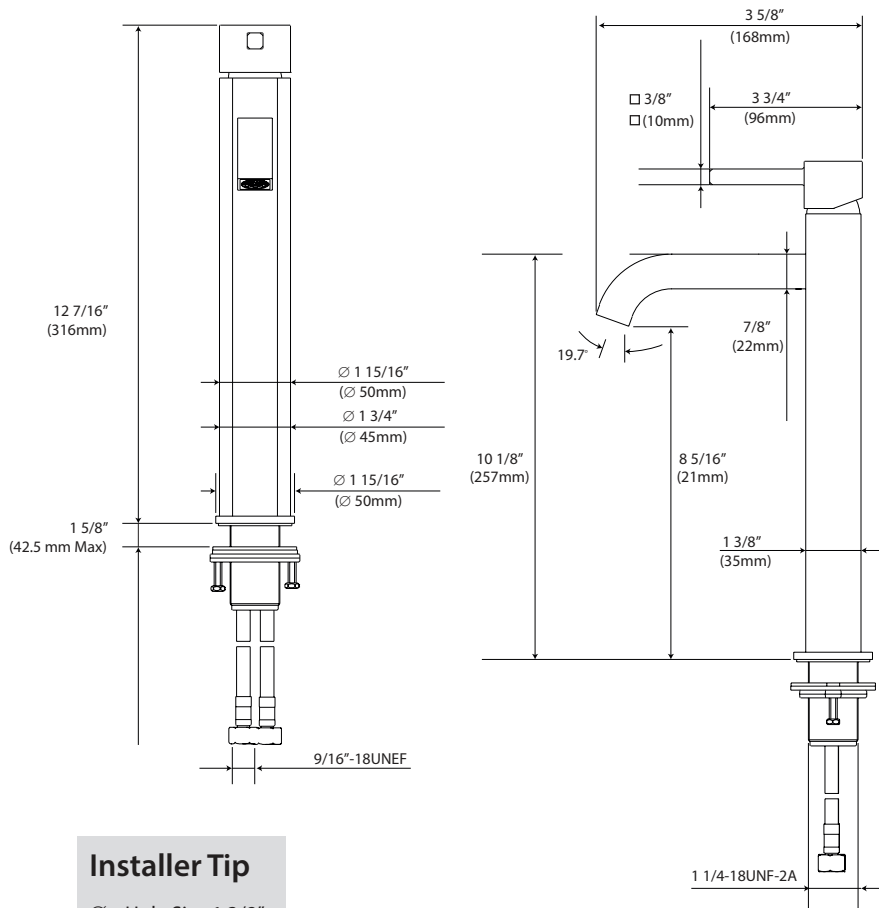
### Installer Tip

Shut off main water supply before installation.

## Safety Tips

- If soldering the water connections when installing the faucet, remove the O-rings, cartridges, and washers before applying any heat
- Protect your eyes with safety glasses when cutting or soldering

## Faucet Installation Procedure

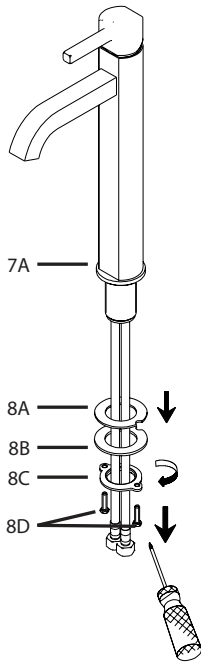


### Installer Tip

$\varnothing$  - Hole Size 1 3/8"

## Step 1

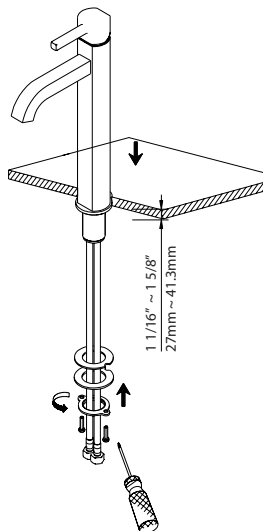
---



Remove rubber washer (8A), metal washer (8B), mounting nut (8C), and mounting screws (8D). Keep the base trim ring (7A) and rubber washer (7B) on the base of the faucet

## Step 2

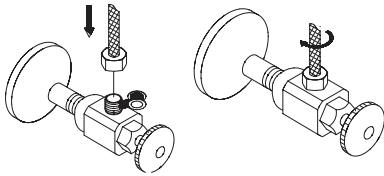
---



Install the faucet through the 1-3/8" predrilled hole in the countertop. Attach rubber washer (8A), metal washer (8B), mounting nut (8C), and mounting screws (8D) on the threaded mounting pipe. Tighten the mounting nut (8C) until snug. Tighten screws (8D) on the mounting nut (8C) with a Phillips head screw driver until snug

### Step 3

---

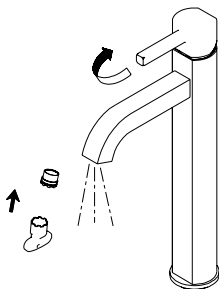


Install flex water supply lines on the angle stops and tighten with an adjustable wrench. Turn on both the cold and hot main valves

Apply pipe tape (optional)

### Step 4

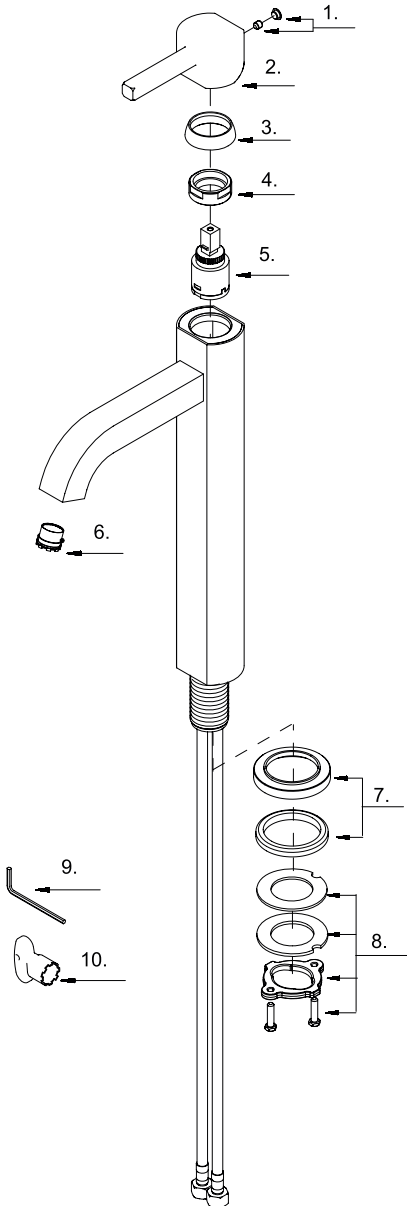
---



After installing the faucet, remove the aerator (6) with the included aerator key (10). Turn on the water to remove any leftover debris, then reassemble the aerator (6)

## Replacement Parts

Keep this manual for ordering replacement parts.



1. (A) Index Button  
(B) Set Screw
2. Metal Handle
3. Trim Cap
4. Locking Nut
5. Ceramic Disc Cartridge
6. Aerator
7. Mounting Hardware  
(A) Base Trim Ring  
(B) Rubber Washer
8. Mounting Hardware  
(A) Rubber Washer  
(B) Metal Washer  
(C) Mounting Nut  
(D) Mounting Screws
9. Hex Wrench
10. Aerator Key

## Trouble - Shooting

If you have followed the instructions carefully and your faucet still does not work properly, take the following corrective steps:

PROBLEM	CAUSE	ACTION
Leakage under the handle	Adjusting locking nut (4) has come loose	Remove handle index button (1a). Loosen set screw (1b) with hex wrench (9). Remove handle (2) by hand only. Tighten locking nut (4) with an adjustable wrench
Aerator drips or has inconsistent water flow pattern	Aerator (6) is dirty or not seated properly	Unscrew aerator (6) with aerator key (10) and clean out debris
Water will not shut off completely	Cartridge may be defective	Remove handle index button (1a). Loosen set screw (1b) with hex wrench (9). Remove handle (2) by hand only. Unscrew trim cap (3) by hand only. Unscrew the locking nut (4) with an adjustable wrench. Remove ceramic disc cartridge (5). Check for cracks
Leaking between spout and body	Loose spout or damaged O-rings on connector	Tighten set screw under the spout

## Maintenance

Your new faucet is designed for years of trouble-free performance. To keep the faucet looking new, clean it periodically with a soft, damp cloth. Avoid abrasive cleaners, steel wool, and harsh chemicals as these will dull the finish.

## **Codes/Standards Applicable:**

Specified model meets or exceeds the following: ANSI/ASME A112.18.1, cUPC NSF372, AB1953

## **KRAUS Brand Lavatory Faucets Limited Lifetime Warranty**

KRAUS is proud to offer its customers the strongest, most durable ceramic cartridges in all of its solid brass Lavatory Faucets. KRAUS guarantees that all of its products are free of defect in materials and craftsmanship. All KRAUS BRAND Lavatory Faucets carry a limited lifetime warranty from the original date of purchase.

If a product fails due to defect in material or craftsmanship during the warranty period, KRAUS will repair or replace the items at its sole discretion. Warranty does not apply when the item has been tampered with, misused, improperly installed, altered, or damaged due to abuse or accident. Proof of purchase (original sales receipt) must be provided to KRAUS for all warranty claims. Please contact one of our representatives for any additional details.

All KRAUS products must be installed by a licensed professional plumber or contractor to avoid any improper use or installation.

IN NO EVENT SHALL KRAUS BE LIABLE FOR ANY INCIDENTAL, CONSEQUENTIAL, OR SPECIAL DAMAGES, INSTALLATION COST, LABOR, TRAVEL TIME, FREIGHT COSTS INCURRED, LOST PROFITS, OR CONTINGENT LIABILITIES.

KRAUS USA Inc. makes no representation that its products comply with any or all local building or plumbing codes. It is the consumer's responsibility to determine local code compliance.

This warranty extends to the original purchaser and first consumer.

---

## **HELP LINE**

For additional assistance at any point in the installation process, please call us at 1.800.775.0703 or email us at [info@kraususa.com](mailto:info@kraususa.com)

Our customer service hours are Monday – Friday, 9am – 8pm EST.  
Be sure to visit our website at [www.kraususa.com](http://www.kraususa.com).

