

**30" ACANTHA SINGLE  
BOWL FARMER SINK**

Cat. No  
FSGSB4030



W: 30"  
D: 20"  
H: 10"

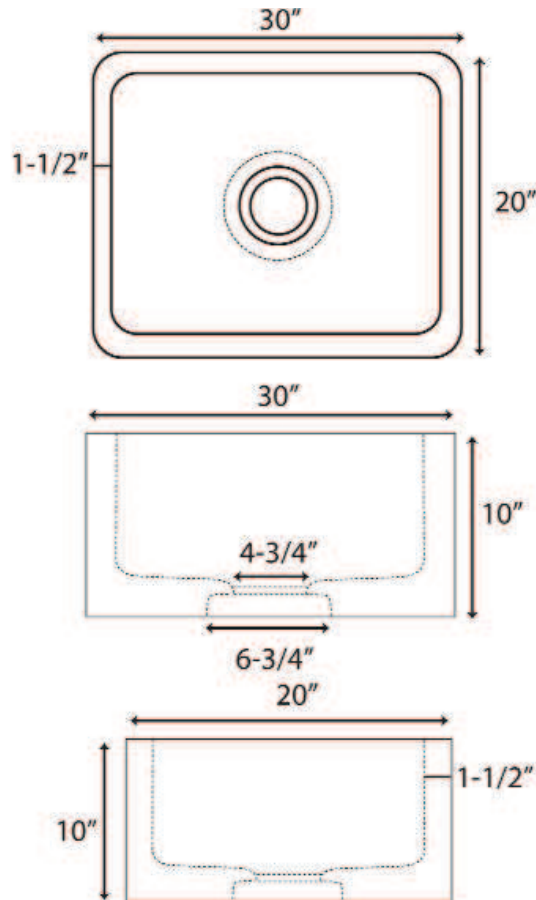
**\*Please do NOT cut hole without  
template or actual product.**

**Interior Dimensions:**

Basin Interior: 27" W x 17" D  
Basin Depth: 8-1/2"

**Features:**

- ▶ Crafted from natural, hand-carved granite
- ▶ Easy to clean
- ▶ Each individual stone sink is unique and varies
- ▶ Standard 3-1/2" drain opening fits most drains and disposals
- ▶ We recommend sealing with StoneTech sealer before use
- ▶ Optional support bars sold separately
- ▶ No faucet holes
- ▶ Available in Polished Black Granite only



Dimensions of fixture are nominal and may vary slightly. Dimensions and specifications subject to change without notice.