

**36" ATLANTA DOUBLE
BOWL FARMER SINK**

Cat. No
FSGDB4536



W: 36"
D: 20"
H: 10"

***Please do NOT cut hole without
template or actual product.**

Interior Dimensions:

Each Basin:

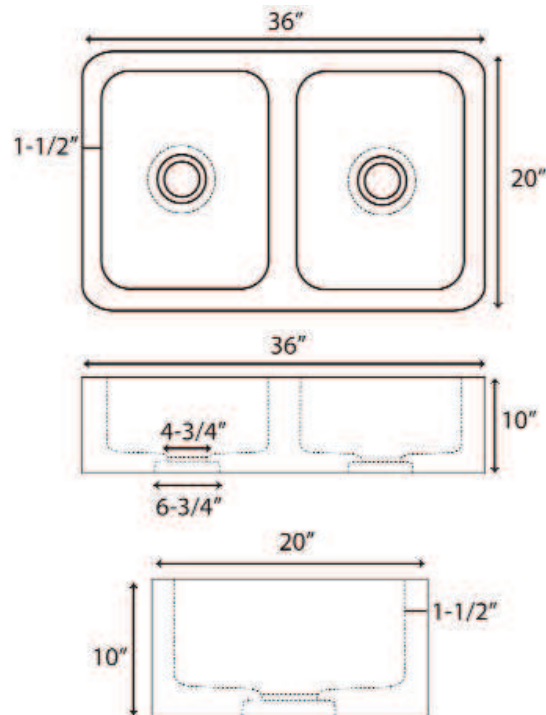
Basin Interior: 15-3/4" W x 17" D
Basin Depth: 8"

Features:

- ▶ Crafted from natural granite
- ▶ Easy to clean
- ▶ Each individual stone sink is unique and varies
- ▶ Standard 3-1/2" drain opening fits most drains and disposals
- ▶ We recommend sealing with StoneTech sealer before use
- ▶ Optional support bars sold separately
- ▶ No faucet holes
- ▶ Available in 2 finishes

Finishes:

GPBG Polished Blue Gray Granite
GPBL Polished Black Granite



Dimensions of fixture are nominal and may vary slightly. Dimensions and specifications subject to change without notice.