

**33" PERLA DOUBLE  
BOWL FARMER SINK**

Cat. No  
FSCDB3552



W: 33"

D: 22"

H: 9"

**Features:**

- ▶ Constructed of solid 16 gauge copper
- ▶ Hammered front
- ▶ Small bowl on the left
- ▶ Rounded interior corners easy for cleaning
- ▶ Sink bowl has no internal welds
- ▶ Sink bottom angled to drainage
- ▶ Accommodates 3-1/2" drain
- ▶ Patina applied to copper using French hot process
- ▶ Hand polished finish
- ▶ Copper is a living finish and will patina over time

**Finish:**

**AC** Antique Copper

**\*Please do NOT cut hole without  
template or actual product.**

**Interior Dimensions:**

**Large**

Basin Interior: 18" W x 15-3/4" L

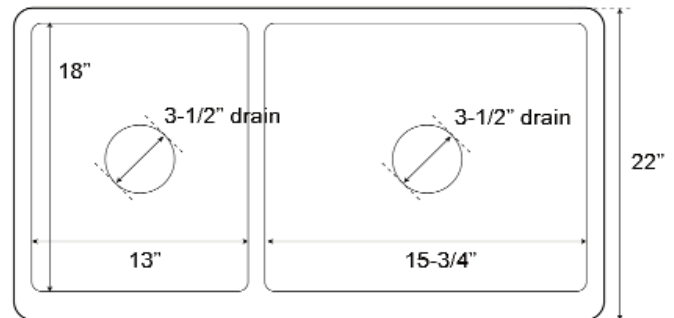
**Small**

Basin Interior: 18" W x 13" L

Front



Top



Dimensions of fixture are nominal and may vary within the range of tolerances established by ANSI Standard A112.19.2. Dimensions and specifications subject to change without notice.