

**35" PORT DOUBLE  
BOWL FARMER SINK**

Cat. No  
FSCDB3548



W: 35"  
D: 21-3/4"  
H: 9-1/4"

**Features:**

- ▶ Constructed of solid 16 gauge copper
- ▶ Rounded interior corners easy for cleaning
- ▶ Sink bowl has no internal welds
- ▶ Sink bottom angled to drainage
- ▶ Accommodates 3-1/2" drain
- ▶ Patina applied to copper using French hot process
- ▶ Hand polished finish
- ▶ Copper is a living finish and will patina over time

**Finish:**

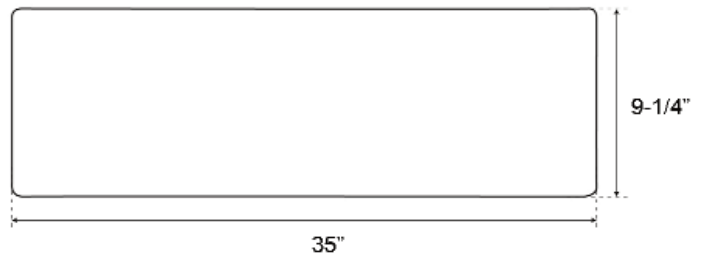
**AC** Antique Copper  
**SAC** Smooth Antique Copper

**\*Please do NOT cut hole without  
template or actual product.**

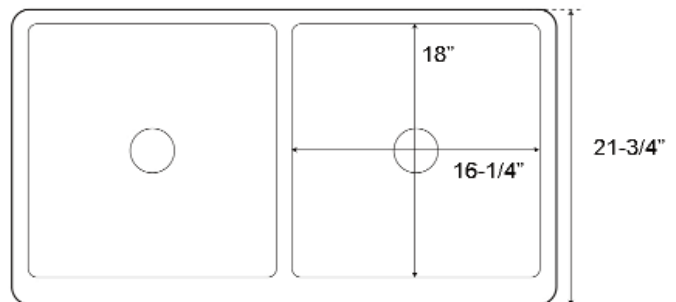
**Interior Dimensions:**

Basin Interior: 18" W x 16-1/4" L  
Basin Depth: 8-3/4"

Front



Top



Dimensions of fixture are nominal and may vary within the range of tolerances established by ANSI Standard A112.19.2. Dimensions and specifications subject to change without notice.