

## CARE AND CLEANING

For the regular cleaning of your faucet, use a mild detergent or warm soapy water applied with a soft cloth. DO NOT use scouring pads, gritty cloths or abrasive or corrosive cleaners. Using these products may damage the components and void the warranty.

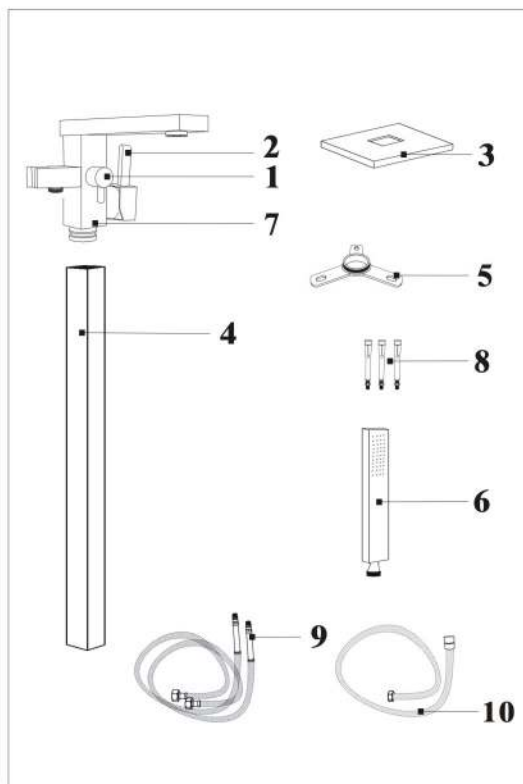
## NOTICE

1. Only use soft fabric to clean the taps, no acid and alkalinescent material for clean.
2. Cartridge and diverter are tested in the factory, no self assembly and disassembly.
3. Underground components should pass a 30 min. Water test under 0.8 Mpa before close the tiles, to be sure no water leak.
4. Underground pipes should be installed strictly according to the manual, exchange of cold water pipe and hot water pipe is not allowed.
5. When inside temperature under 0°C, please do close the water angle valve, open the tap and let the water flow out completely, to avoid tap break during freezing period, and water leak when temperature goes up.
6. Water inlet pipes must be cleaned before tap installation, impurities could destroy the cartridge, diverter and aerator.
7. CAUTION: when turn on the tap, please turn to cold first, then adjust to suitable temperature, to avoid scald.
8. Gloves are needed during installing the tap.

## PROBLEMS AND SOLUTIONS

1. If water flow is not enough, please be sure the angle valve are opened.
2. If water column is not in regular shape, please be sure the aerator is cleaned.
3. If temperature not adjustable, please be sure the angle valve and connection pipe is correctly installed.

## CONTENS



1	Diverter	6	Hand shower
2	Handle (on/off)	7	Faucet body
3	Decorative base	8	Screws
4	Column	9	Flexible hoses
5	Permanent seat	10	Shower hose

## FAUCET INSTALLATION MANUAL

### PRIOR TO STARTING

This guide covers the installation process as well as the maintenance of your new faucet. Please read it carefully prior to installation, then keep it in a safe place for future reference.

Remove the product from its packaging. Make sure that all of the components are there and verify if the product is in good shape. Should the inspection reveal that the product is damaged or that it has a manufacturing defect, contact the distributor at once. The warranty does not cover damages or finishing defects once the product has been installed. The responsibility for shipping damages ceases upon delivery of the product in good order to the carrier.

All complaints regarding damages due to shipping must be made directly to the carrier

Consult local plumbing codes to make sure the installation complies with standards. This product should be installed by a licensed plumber. Make sure to shut off water valves.

### PRODUCT SPECIFICATIONS

Water pipe thread: 9/16

Working pressure: 0.1Mpa-0.5Mpa

Working temp: 3°C-85°C

Working material: normal water

### STEPS TO FOLLOW

1. Insert the flexible hoses (# 9) into the column (# 4).
2. Insert the column (# 4) into the decorative base (# 3), then insert them into the stand (# 5).
3. Connect water supply lines (flexible hoses # 9). Cold water on the right, hot water on the left.
4. Insert the faucet body (# 7) into the column (# 4).
5. With the help of screws (# 8), fix the stand (# 5) of the freestanding faucet to the floor while making sure it is leveled.
6. Connect the shower hose (# 10) to the hand shower (# 6) and faucet body (# 7).
7. Put the hand shower (# 6) in the space provided on the faucet body (# 7).
8. Let water run from the faucet and check connections for leaks. Switch the diverter (# 1) so that the water may run from the hand shower (# 6) and check connections again for leaks. If leaks are found, tighten slightly until the leak stops.