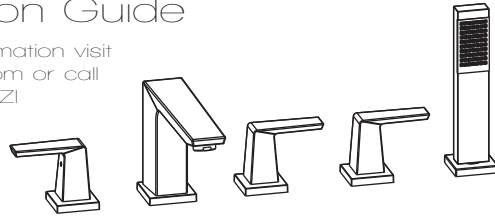


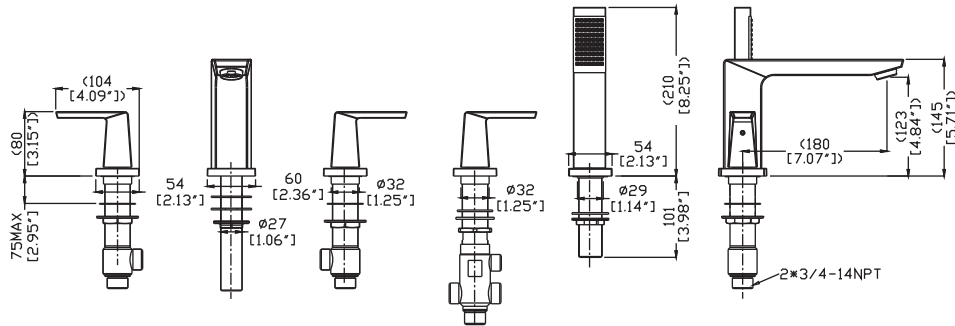


# FR-AZ975 Installation Guide

For more information visit  
www.ANZZI.com or call  
1-844-44-ANZZI



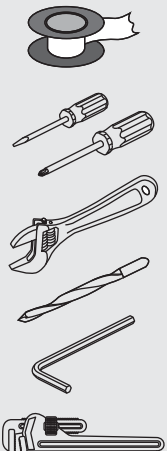
## DIMENSIONS



■ For Reference only (unit = mm[inch])

## FAUCET MAINTENANCE

### RECOMMENDED TOOLS



### CARE INSTRUCTIONS

To keep your faucet looking its best, please follow these simple care instructions:

#### DO:

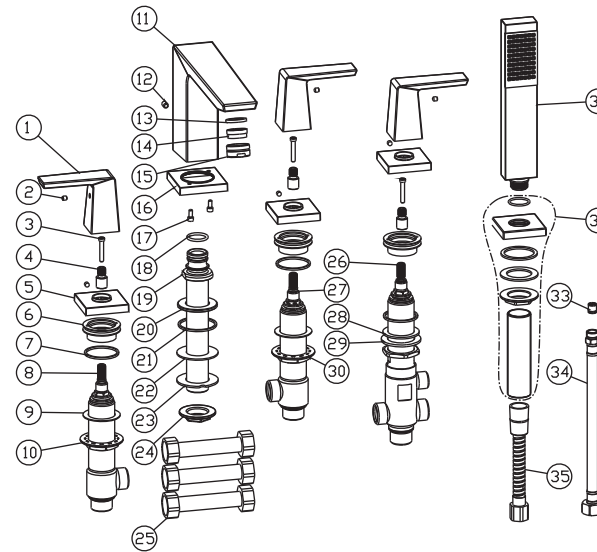
1. Remove as much surface dirt and film using clear water and a soft cotton cloth.
2. Use any of the following to remove tough surface film and build-up:
  - Mild liquid detergent
  - Non-acidic, non-abrasive gentle liquid cleanser
  - Non-abrasive liquid polisher.
3. Once clean, rinse faucet with clear water to thoroughly remove cleaner or polish and blot dry with soft cotton cloth.

#### DO NOT:

1. Use abrasive cleansers, cloths, or paper towels.
2. Use any cleaning agents containing acids, polish, waxes, alcohol, ammonia, bleach, solvents or any other corrosive or harsh chemical cleansers.

## EXPLODED DRAWING

Please read the followings before installing and usage.



NO.	Part No	Part Desc	Qty
01	CTHZ0350	HANDEL	3
02	CTST4101	SCREW	6
03	CTST1013	SCREW	3
04	CTMB0328	ADAPTER	3
05	CTLZ0020	FLANGE	3
06	CTDB0394	BASE SEAT	3
07	CTWR0060	WASHER	3
08	ATBQ0226	CARTRIDGE(HOT)	1
09	CTWQ0007	WASHER	2
10	CTNP0046-XR	NUT	1
11	CTFB0224	SPOUT	1
12	CTST0137	SCREW	1
13	CTWR0036	WASHER	1
14	CTQP0030	FLOW REGULATOR	1
15	CTCB0173	HOUSING	1
16	CTDZ0078	BASE SEAT	1
17	CTST0221	SCREW	2
18	CTRR0013	O-RING	1
19	ATBP0182	SHANK	1
20	CTWB0102	GASKET	1
21	CTWR0270	WASHER	1
22	CTWR0090	WASHER	1
23	CTWT0038	WASHER	1
24	CTNB0059	NUT	1
25	ATBP0013	HOSE	3
26	ATBY0174	DIVERTER	1
27	ATBQ0225	CARTRIDGE(COLD)	1
28	CTWR0259	WASHER	1
29	CTWT0053	WASHER	1
30	CTNP0046-XD	NUT	1
31	ATBE0210	SHOWER	1
32	ATBD0080	HOLDER	1
33	ATBA0100	CHECK VALVE	1
34	ATBP0071	HOSE	1
35	ATBP0070	HOSE	1

■ Notes: For reference only. We reserve the right to make changes without any notice.

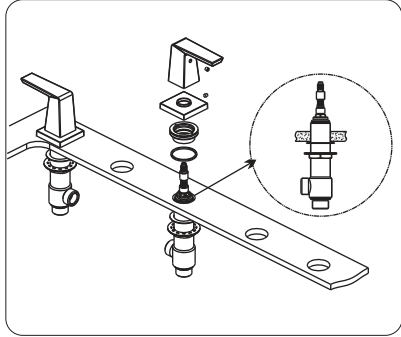
## Step 1

### Handle installation

1 Disassemble the cold water handle (identified by a blue nut). Leave the bottom retainer ring as well as the washer in place. From under the bathtub insert the cold water valve (identified by a C) in the hole located on the right of the spout hole.

2 From the top, install the nut and washer. Screw the nut to secure the valve, handle flange and handle in place.

3 Repeat steps to install the handle and hot water valve (identified by an H) in the hole located on the left of the spout hole.



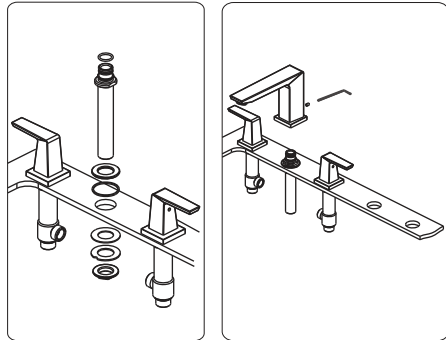
## Step 2

### Spout installation

1 Unscrew the Allen screw from behind the spout. Pull apart the spout from its connector.

2 Unscrew the nut of the spout shank. From the top of the bathtub, put the gasket and the washer on the bathtub, insert the shank in the hole between the two handles. From underneath the bathtub, install the washer, metal washer and screw the nut to secure the shank in place.

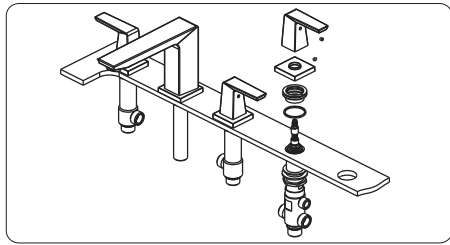
3 Tighten spout in place by screwing the Allen screw behind the spout.



## Step 3

### Diverter installation

1 Repeat steps to install the handle and diverter in the hole located on the right of the cold water handle.



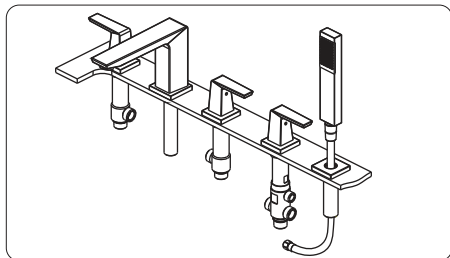
## Step 4

### Hand shower holder installation

1 Unscrew the bottom nut and take off rubber washer.

2 Insert the hand shower holder in the hole making sure to place the washer underneath the fix holder. From under, screw the rubber washer, as well as the retainer ring to the holder in place.

3 Connect the hose to the hand shower, making sure that the rubber washer is in place. From above, slide the hose through the holder to sit the hand shower on its base.

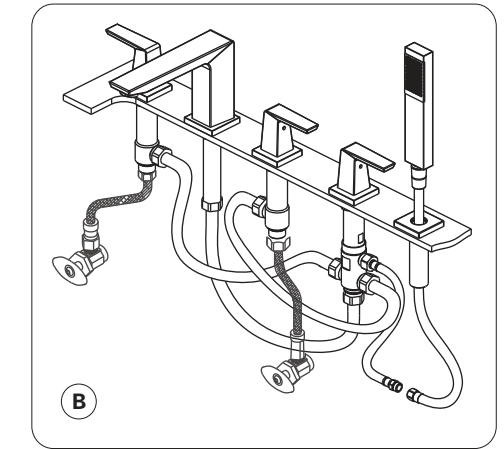
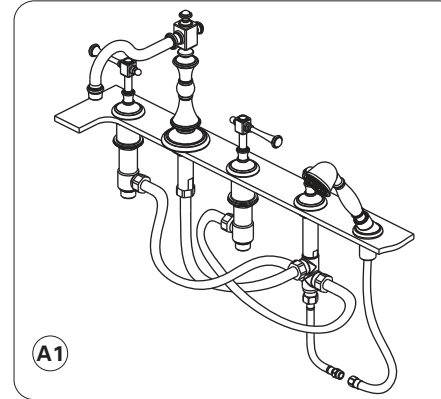
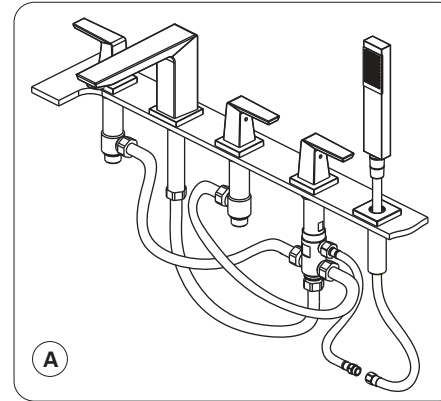


## Step 4

### Valve and water supply connection

1 Using the flexible connectors included, connect the valves to the diverter and diverter to the spout. Use the extra flexible connector to join the diverter to the hand shower hose. Tighten using appropriate tool (ill. A&A1).

2 Connect hot and cold valves to the corresponding water supply lines using flexible connectors (not included) and tighten (ill.B).



## Step 5

### Testing connections

**WARNING: Remove aerator before testing connections. Do not overtighten.**

1 Verify that there are no leaks by slowly opening the hot and cold water. In case of a leak, shut off the water supply and tighten connectors 1/4 turn using the appropriate tool. Repeat if necessary.

2 Turn on the faucet and leave both hot and cold water running for at least one minute to evacuate the air trapped in the pipes. Turn off water.

3 Assemble the aerator as illustrated and insert into the spout, tightening by hand. You can now turn on water supply.

