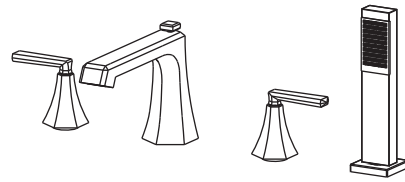


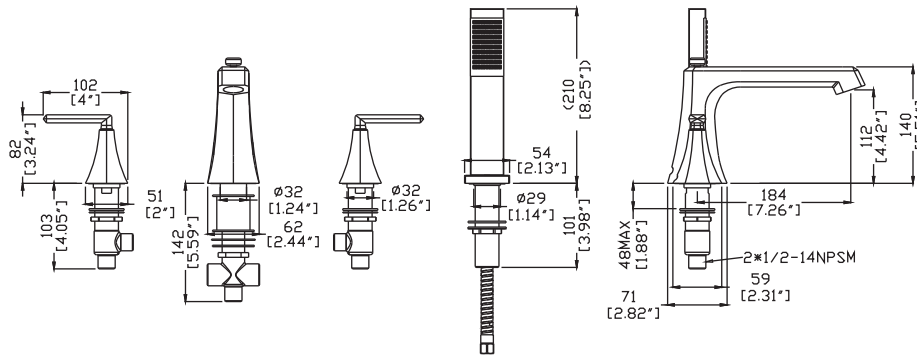


# FR-AZ574 Installation Guide

For more information visit  
www.ANZZI.com or call  
1-844-44-ANZZI



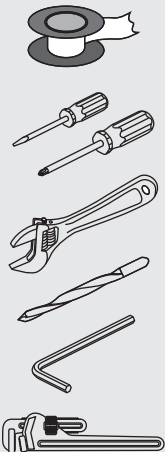
## DIMENSIONS



■ For Reference only (unit = mm[inch])

## FAUCET MAINTENANCE

### RECOMMENDED TOOLS



### CARE INSTRUCTIONS

To keep your faucet looking its best, please follow these simple care instructions:

#### DO:

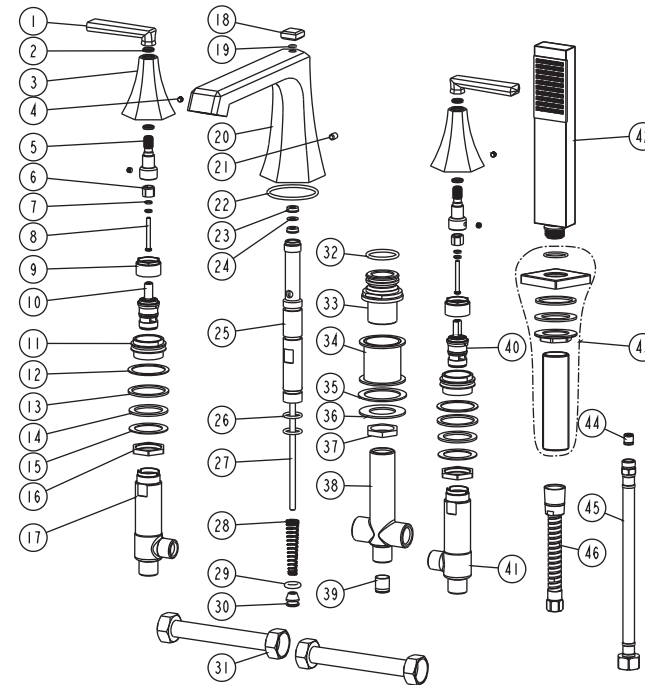
1. Remove as much surface dirt and film using clear water and a soft cotton cloth.
2. Use any of the following to remove tough surface film and build-up:
  - Mild liquid detergent
  - Non-acidic, non-abrasive gentle liquid cleanser
  - Non-abrasive liquid polisher.
3. Once clean, rinse faucet with clear water to thoroughly remove cleaner or polish and blot dry with soft cotton cloth.

#### DO NOT:

1. Use abrasive cleansers, cloths, or paper towels.
2. Use any cleaning agents containing acids, polish, waxes, alcohol, ammonia, bleach, solvents or any other corrosive or harsh chemical cleansers.

## EXPLODED DRAWING

Please read the followings before installing and usage.



NO.	Part No	Part Desc	Qty
01	CTHZ0301	HANDEL	2
02	CTWP0208	WASHER	4
03	CTDZ0068	ESCUTCHEON	2
04	CTST0084	SCREW	4
05	CTMB0589	ADAPTER	2
06	CTCP0384	BUSHING	2
07	CTWT0009	WASHER	4
08	CTST0017	SCREW	2
09	CTNZ0004	NUT	2
10	ATBA0128	CARTRIDGE(HOT)	1
11	CTNB0280	NUT	2
12	CTWT0066	WASHER	2
13	CTWR0207	WASHER	2
14	CTWR0276	WASHER	2
15	CTWT0065	WASHER	2
16	CTNT0022	NUT	2
17	CTPB0500	SHANK(HOT)	1
18	CTMZ0019	TIP	1
19	CTRR0164	O-RING	1
20	CTYB0506	SPOUT	1
21	CTST0137	SCREW	1
22	CTRR0055	O-RING	1
23	CTRR0138	SEAL	2
24	CTWB0089	WASHER	1
25	CTPB0405	PIPE	1
26	CTRR0082	O-RING	3
27	CTMT0032	ROD	1
28	CTBT0070	SPRING	1
29	CTRR0139	O-RING	1
30	CTDB0133	BASE	1
31	ATBP0157	HOSE	2
32	CTRR0137	O-RING	1
33	CTTB0035	BASE	1
34	CTCT0035	SLEEVE	1
35	CTWR0115	WASHER	1
36	CTWT0038	WASHER	1
37	CTNB0156	NUT	1
38	CTPB0427	CONNECTOR	1
39	ATBA0427	CHECK	1
40	ATBA0127	CARTRIDGE(COLD)	1
41	CTPB0501	SHANK(COLD)	1
42	ATBE0210	SHOWER	1
43	ATBD0080	HOLDER	1
44	ATBA0100	CHECK VALVE	1
45	ATBP0071	HOSE	1
46	ATBP0070	HOSE	1

■ Notes: For reference only. We reserve the right to make changes without any notice.

