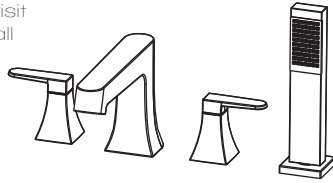




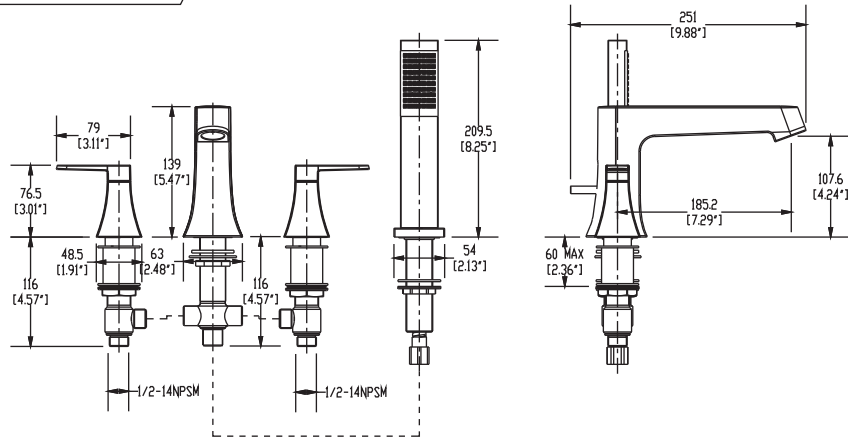
FR-AZ174 Installation Guide

ANZZI™

For more information visit
www.ANZZI.com or call
1-844-44-ANZZI



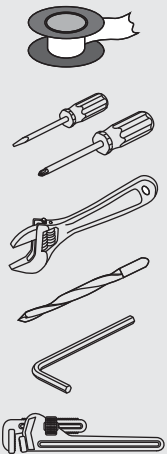
DIMENSIONS



■ For Reference only (unit = mm[inch])

FAUCET MAINTENANCE

RECOMMENDED TOOLS



CARE INSTRUCTIONS

To keep your faucet looking its best, please follow these simple care instructions:

DO:

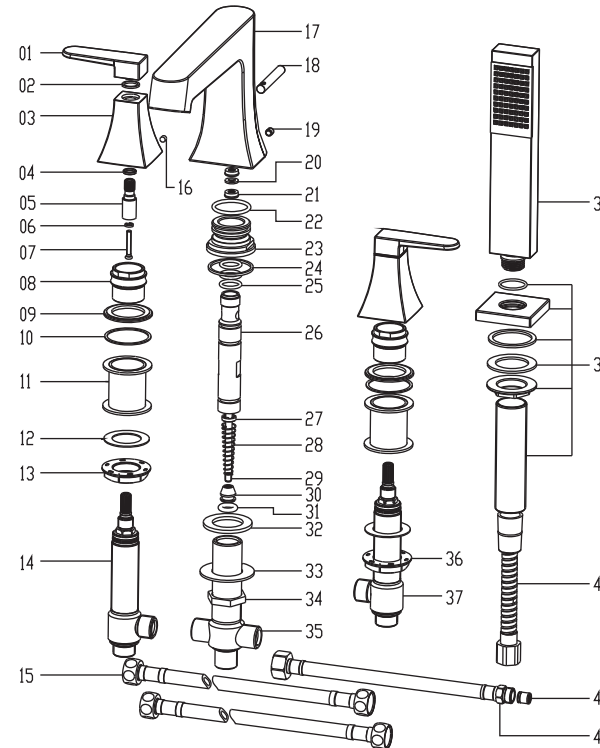
1. Remove as much surface dirt and film using clear water and a soft cotton cloth.
2. Use any of the following to remove tough surface film and build-up:
 - Mild liquid detergent
 - Non-acidic, non-abrasive gentle liquid cleanser
 - Non-abrasive liquid polisher.
3. Once clean, rinse faucet with clear water to thoroughly remove cleaner or polish and blot dry with soft cotton cloth.

DO NOT:

1. Use abrasive cleansers, cloths, or paper towels.
2. Use any cleaning agents containing acids, polish, waxes, alcohol, ammonia, bleach, solvents or any other corrosive or harsh chemical cleansers.

EXPLODED DRAWING

Please read the followings before installing and usage.



NO.	Part No	Part Desc	Qty
01	CTHZ0341	HANDLE	2
02	CTWP0207	WASHER	2
03	CTCZ0224	HANDLE COVER	2
04	CTWP0208	WASHER	2
05	CTMB0675	CONNECTING BUSHING	2
06	CTWT0009	WASHER	2
07	CTST0050	SCREW	2
08	CTNB0325	BASE SEAT	2
09	CTWL0002	WASHER	2
10	CTWR0347	WASHER	2
11	CTDT0002	BASE SEAT	2
12	CTWQ0006	WASHER	2
13	CTNP0045-XD	NUT	1
14	ATBQ2003	VALVE (HOT)	1
15	ATBP0313	HOSE	2
16	CTST4101	SCREW	2
17	CTFB0241	SPOUT	1
18	CTMB0588	PULL ROD	1
19	CTST0153	SCREW	1
20	CTWB0048	WASHER	1
21	CTRR0138	O-RING	2
22	CTRR0137	O-RING	1
23	CTDB0131	BASE	1
24	CTWR0060	WASHER	1
25	CTRR0082	O-RING	3
26	CTPB0468	PIPE	1
27	CTRP0067	WASHER	1
28	CTBT0077	SPRING	1
29	CTMB0593	PULL ROD	1
30	CTDB0133	HEAD	1
31	CTRR0139	O-RING	1
32	CTWR0217	WASHER	1
33	CTWT0038	WASHER	1
34	CTNB0156	NUT	1
35	CTPB0188	PIPE	1
36	CTNP0045-XR	NUT	1
37	ATBQ2002	VALVE (COLD)	1
38	ATBE0210	SHOWER	1
39	ATBD0080	SPRINKLER SOCKET	1
40	ATBP0070	HOSE	1
41	ATBA0100	CHECK VALVE	1
42	ATBP0071	HOSE	1

■ Notes: For reference only. We reserve the right to make changes without any notice.

