



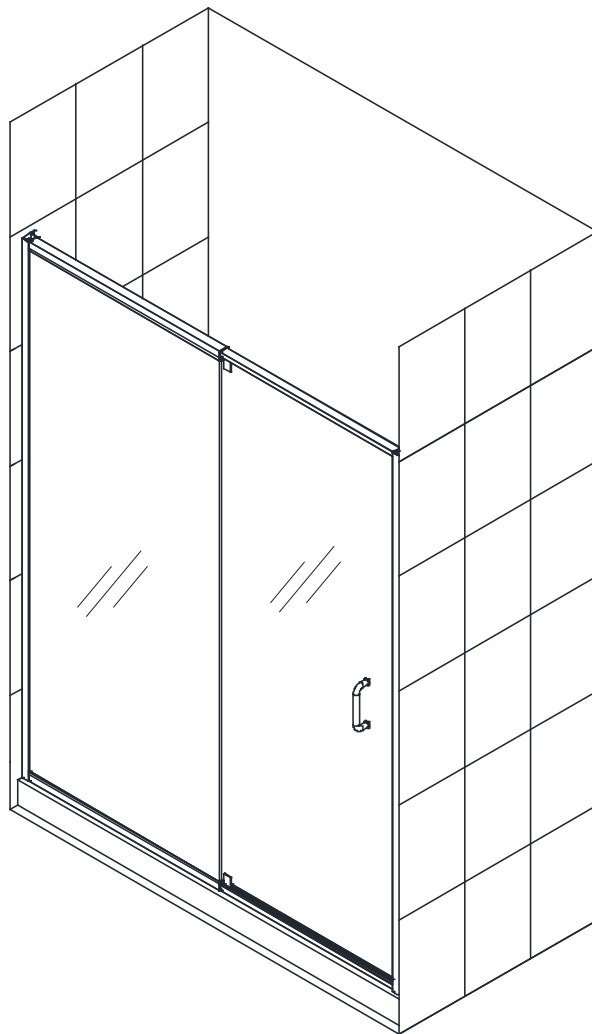
THE ULTIMATE SHOWER DOOR®

FLEX 48" x 72" / 60" x 72"

SHOWER DOOR INSTALLATION INSTRUCTIONS

IMPORTANT

DreamLine® reserves the right to alter, modify or redesign products at any time without prior notice. For the latest up-to-date technical drawings, manuals, warranty information or additional details please refer to your model's web page on **DreamLine.com**



MODEL #s

SHDR-22487200-01

SHDR-22607200-01

##=finish

01- Chrome

Right hand door installation shown

Please read these instructions carefully before installing. If you have any questions regarding installation, please contact our technical support specialists Monday through Friday 8:00 AM – 7:00 PM EST at Phone: 1-866-731-2244, Fax: 1-866-857-3638 or e-mail our technical support group at **Support@DreamLine.com**

For more information about DreamLine® Shower Doors & Tub Doors please visit **DreamLine.com**

Preparation

1. Prior to installation, examine all boxes and packages for shipping damage and compare the piece count with your packing slip. After opening all boxes and packages read this introduction carefully. Check that all of the needed parts are included in the package by checking off the components on the "Detailed Diagram of Shower Door Components". If the unit has been damaged, has a finishing defect, or has missing parts, please contact our customer support department within **3 business days** of the delivery date. **Please note that DreamLine® will not replace any damaged products or missing parts free of charge after 3 business days or if the product has been installed.** Feel free to contact DreamLine® if you have any questions, and please provide an order number, job name or other proof of purchase to help to identify the original order.

2. **Please note that you should consult your local building codes with questions on installation compliance standards. Building and plumbing codes may vary by location, and DreamLine® is not responsible for code compliance standards for your project and will not accept any returns.**

3. If this unit is going to be installed in a new construction, please install all of the required plumbing and drainage before installing the shower. Use a competent and licensed (if required by local code) plumber for all plumbing installation

4. Please make sure that prior to beginning the installation, the surfaces are leveled and solid and will be able to support the total weight of the unit. Also make sure the walls are at right angles. Irregular installation surface level, radius corners or improper angle of side walls will result in serious problems for your installation. Please, note that some adjustments and drilling might be necessary during the installation process.

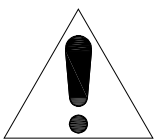
5. Please protect all primary surfaces of the product during installation. Never set your glass down directly onto a tile floor. Leave corner protectors in place until necessary to remove them. Always use a piece of wood or cardboard to protect the bottom edge and corners of the glass prior to and during installation.

6. This unit must be installed upon a finished threshold and against finished walls.

7. This model has 4" of total adjustment: 1/2" of adjustment per wall profile for out-of-plumb wall conditions plus 3" of adjustment with the expanding top and bottom rails for overall width adjustment. **Be sure that you have ordered the correct model size to fit your finished opening.**

8. This model requires a minimum 1-3/8" of flat threshold space for installation.

NOTE: This door is reversible for right or left-hand door installation. The right-hand door installation is shown as an example throughout this manual. See step #4 for details.

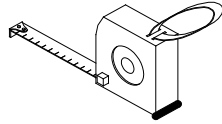


NOTE: DO NOT install the handle onto the door glass until instructed to do so. DO NOT attempt to lift the glass using the handle. This could result in damage to the glass and/or serious personal injury. Always use an assistant or a professional grade glass suction cup when handling heavy glass.

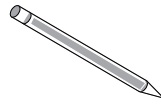
Tools



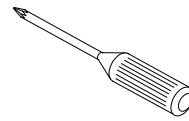
Level



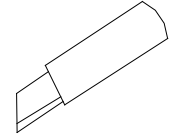
Tape Measure



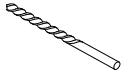
Pencil



Phillips Screwdriver



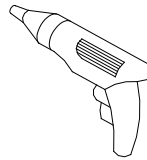
Razor Knife



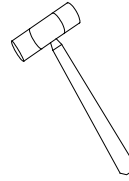
Drill bit
(Ø=5/16")
(8mm)



Drill bit
(Ø=1/8")
(3mm)



Power Drill

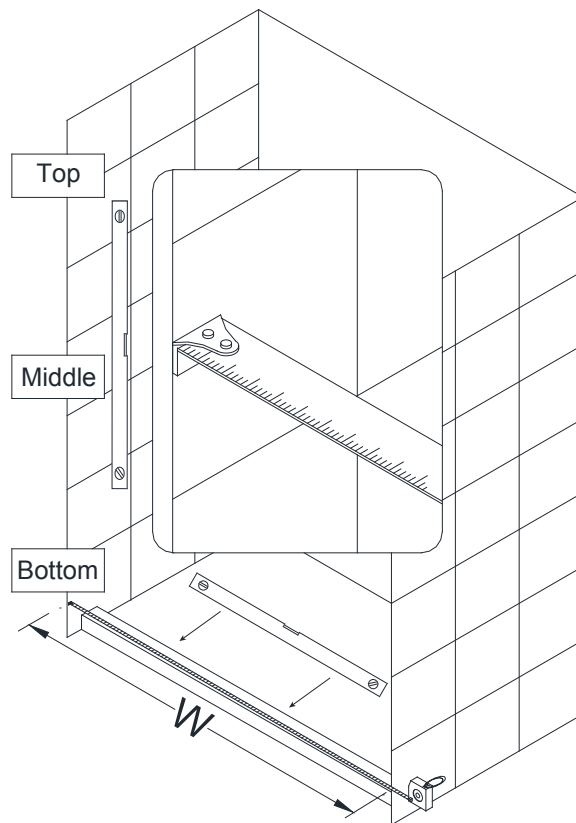


Hammer



Caulk

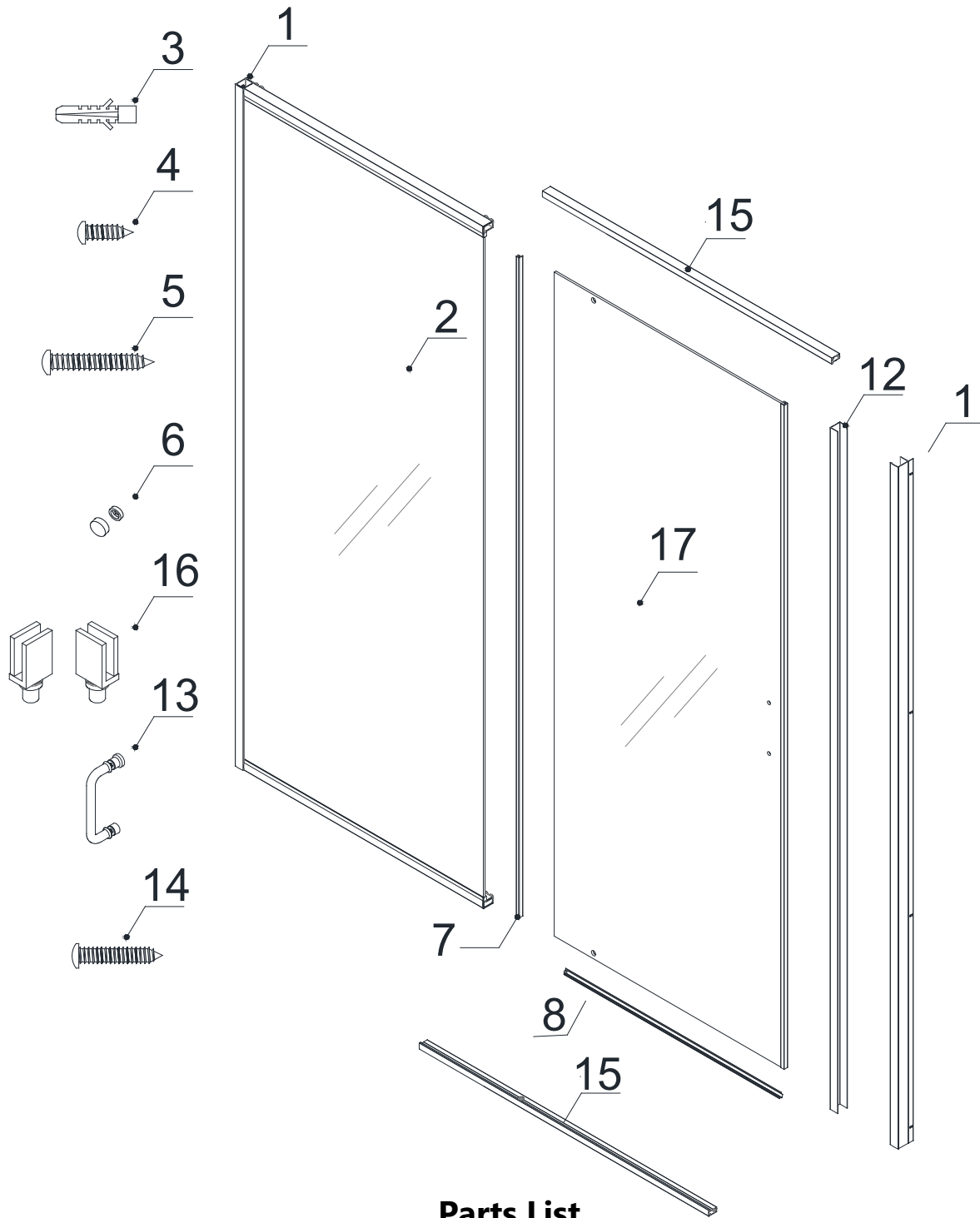
Tip: Measure the finished opening before proceeding with the installation to be sure that the correct model size has been ordered.



NOTE: Unpack your unit carefully and inspect it. Lay it out and identify all parts using the detailed diagram and packing list in this manual as a reference. Before discarding the carton, check for small hardware bags that may have fallen to the bottom of the box. If any parts are damaged or missing, please contact DreamLine® for replacement. The shipping boxes may contain extra parts not used in your model configuration.

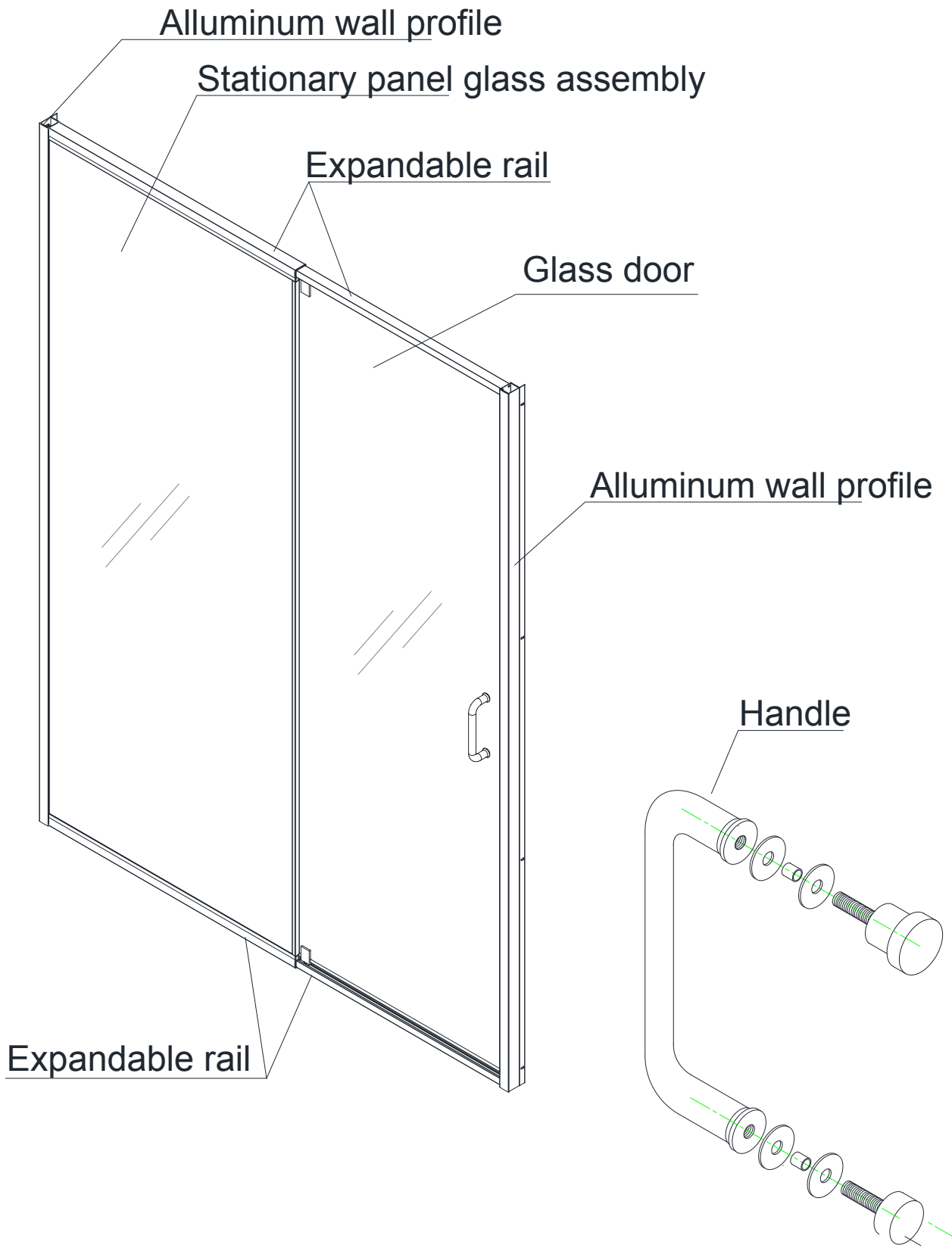
NOTE: Retain these installation instructions for future reference.

Parts diagram



Parts List

PART#	DESCRIPTION	QTY	PART#	DESCRIPTION	QTY
01	Wall profile	2pcs	08	Bottom anti-water strip	1pc
02	Panel Glass assembly	1set	12	Magnetic Strike Profile	1pc
03	Wall anchor	8pcs	13	Handle	1pc
04	Round head screws ST4.2×10	8pcs	14	Round Head screws ST4.2 x 25	4pc
05	Truss head screws ST4.2×40	8pcs	15	Top & Bottom Pivot Rail	2pcs
06	Decorative cap and washer	8pcs	16	Top & Bottom Pivot Hdwe	2pcs
07	Flanged anti-water strip	1pc	17	Door Glass	1pc

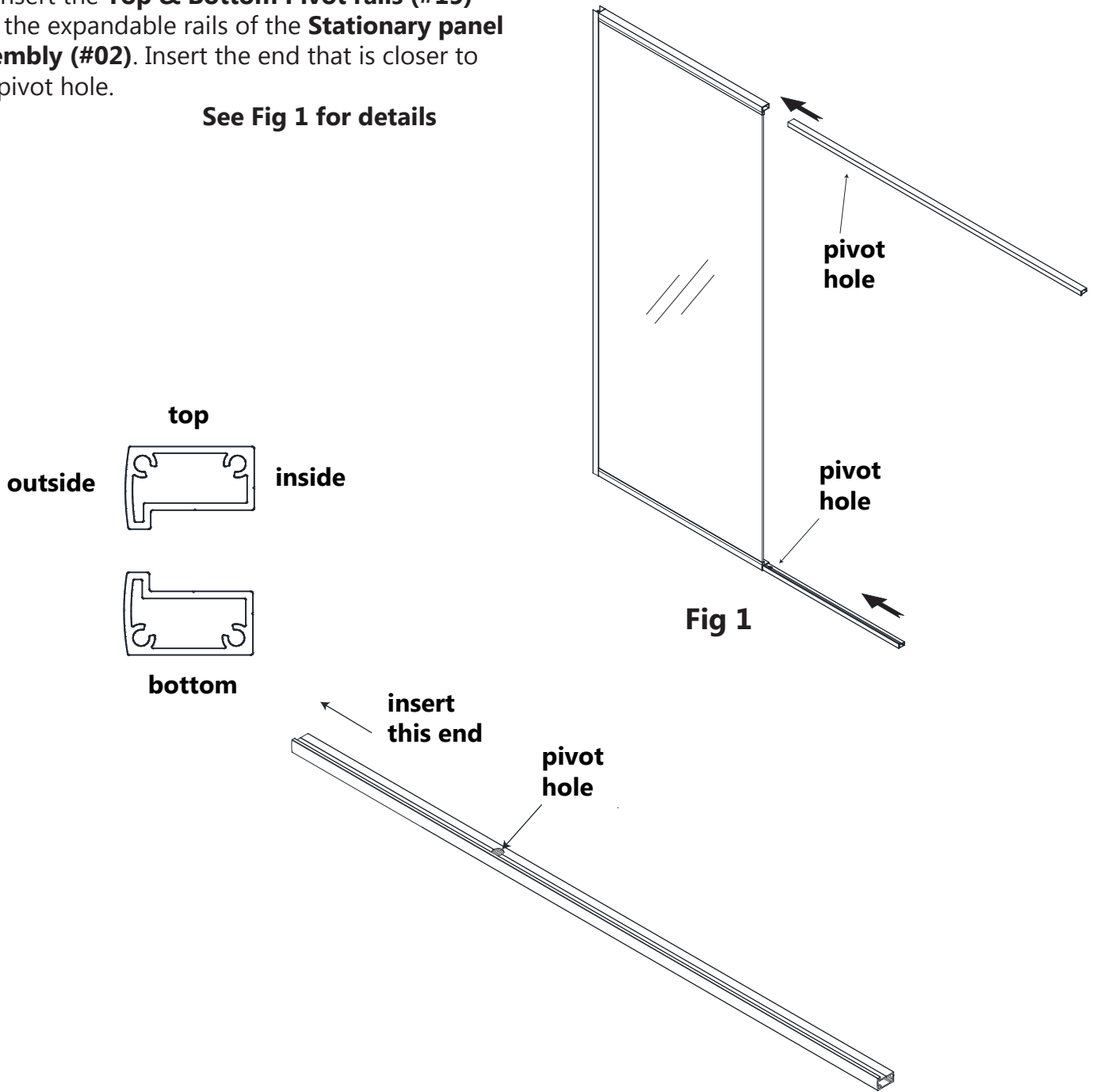


Right hand door installation shown

Installation steps

1. Insert the **Top & Bottom Pivot rails (#15)** into the expandable rails of the **Stationary panel assembly (#02)**. Insert the end that is closer to the pivot hole.

See Fig 1 for details



2. Attach the **Magnetic Strike profile (#12)** to the **Top & Bottom pivot rails (#15)** using four of the **ST4.2 x 25 Round head screws (#14)**.

See Fig 2 for details

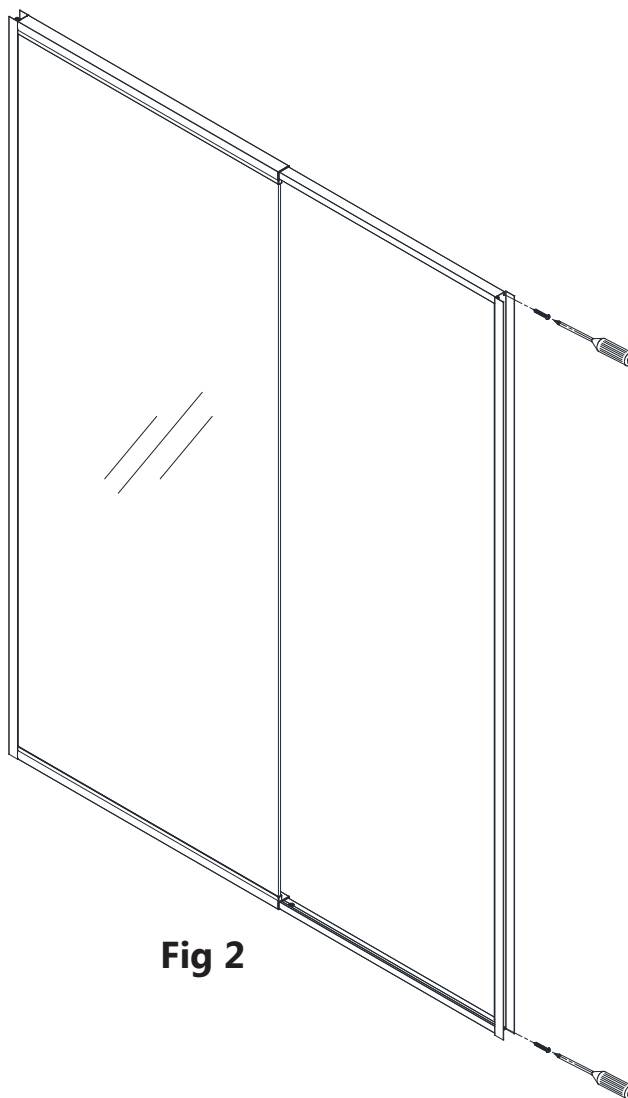
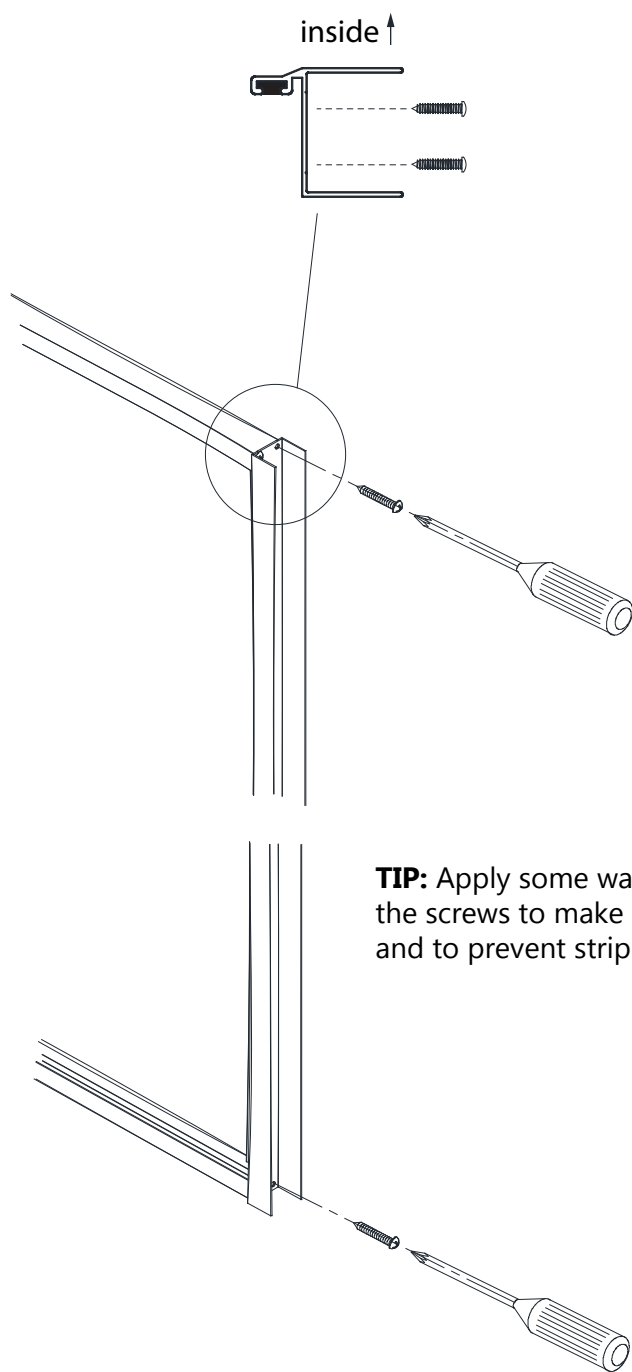


Fig 2

TIP: Apply some wax or dish soap to the screws to make assembly easier and to prevent stripping the screws.

3. Slide the **Wall profiles (#01)** over the this assembly on both sides. Be sure that the flanges on the **Wall profiles (#01)** face in towards the shower.

See Fig 3 for details

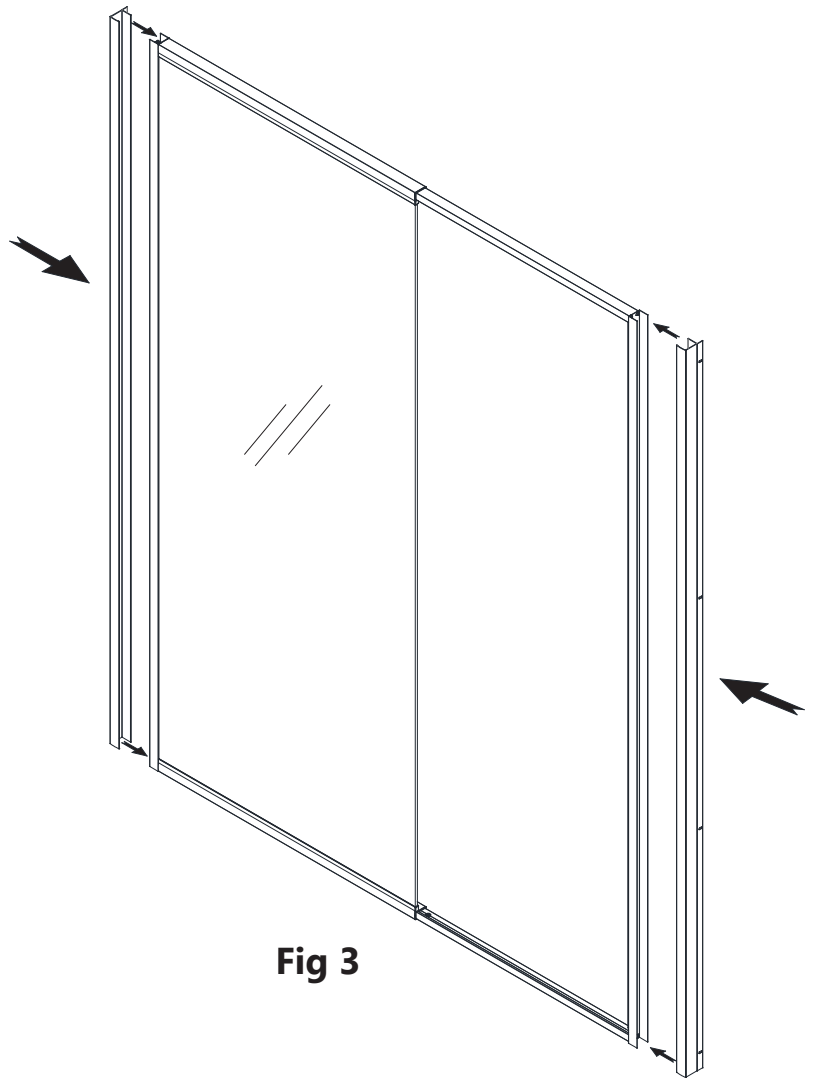
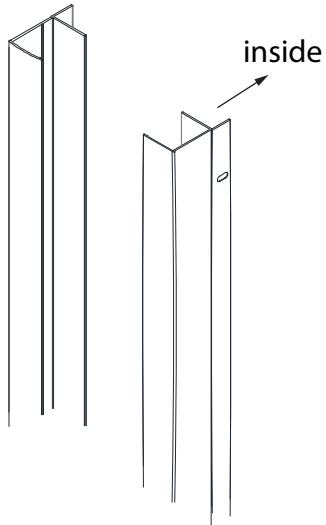


Fig 3

4. At this point, the entire assembly can be flipped for either left or right hand door installation. However, the flanges on the wall profiles must face into the shower.

See Fig 4 for details

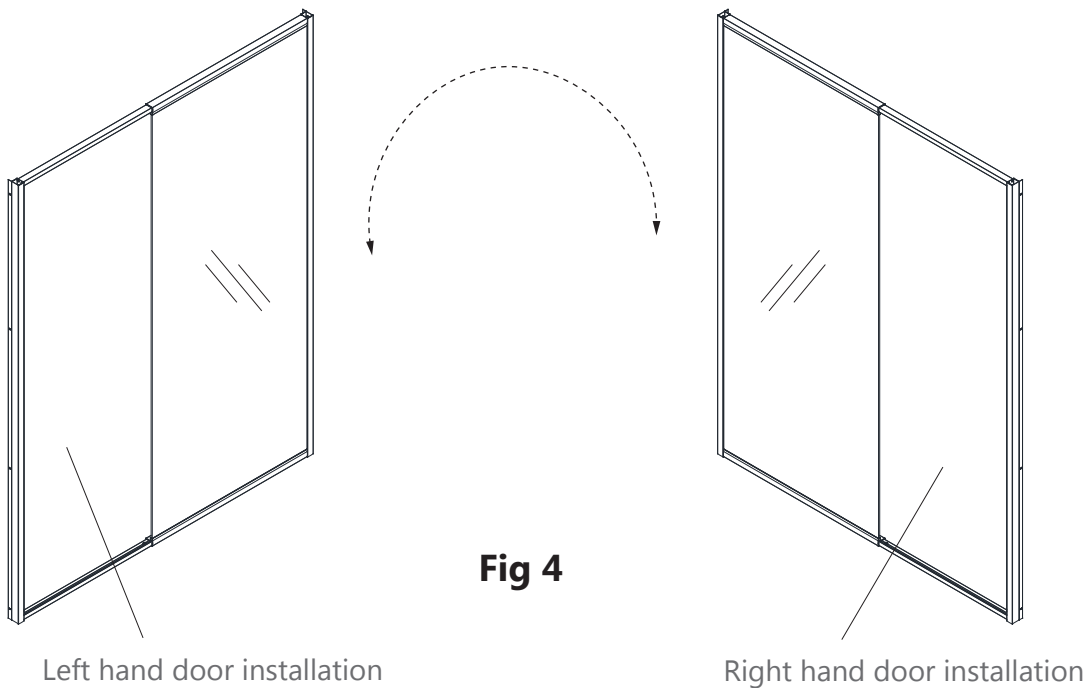


Fig 4

5. Check the threshold of the finished opening to make sure that it is level. (This model does not allow for out of level adjustment)

See Fig 5 for details

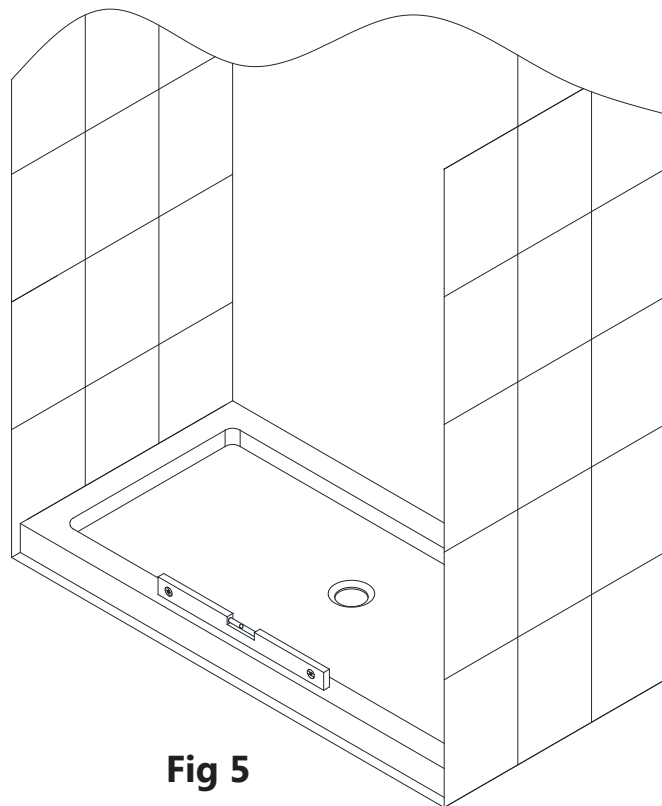


Fig 5

6. Place the assembly onto the threshold at the desired location and extend the expandable **Top & Bottom pivot rails (#15)** evenly.

See Fig 6 for details

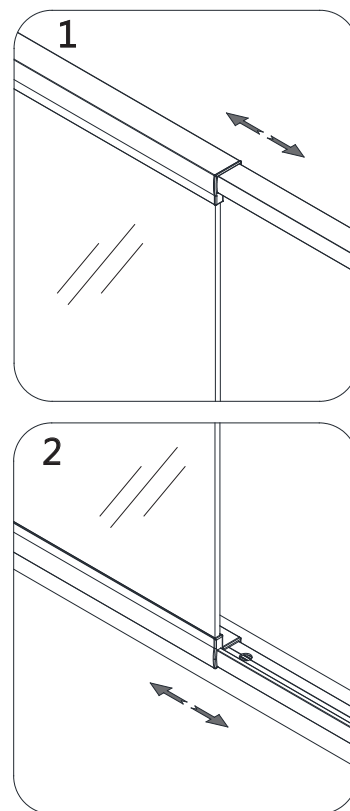
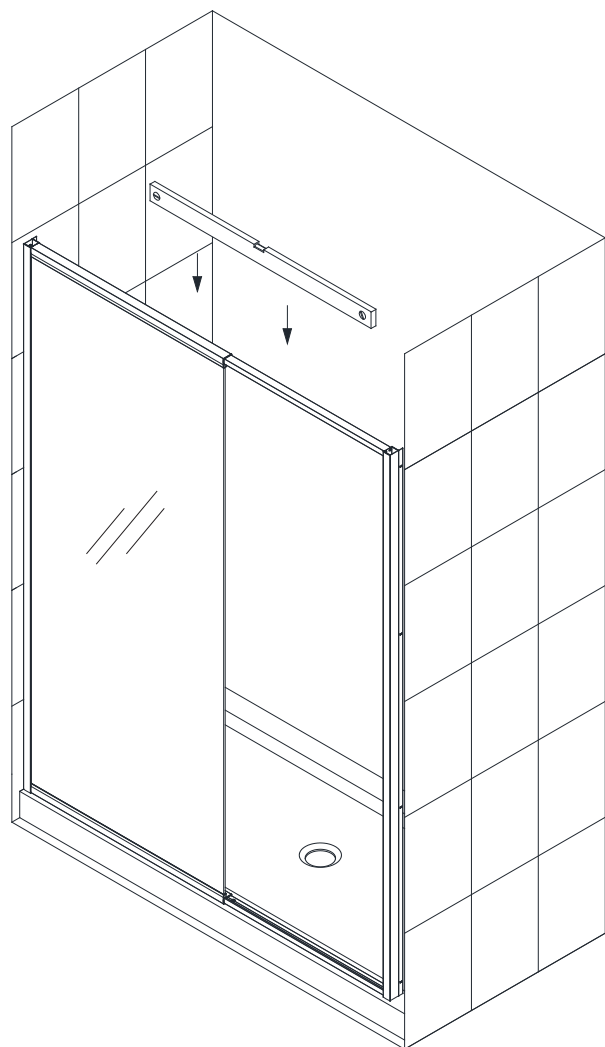


Fig 6

Right hand door installation shown

7. The opening for the door glass must be square. Measure the top and bottom of the door opening and adjust the **Expandable rails** as necessary. Push the **Wall profiles (#01)** tight to the walls to compensate for up to 1/2" out-of-plumb per wall.

See Fig 7 for details

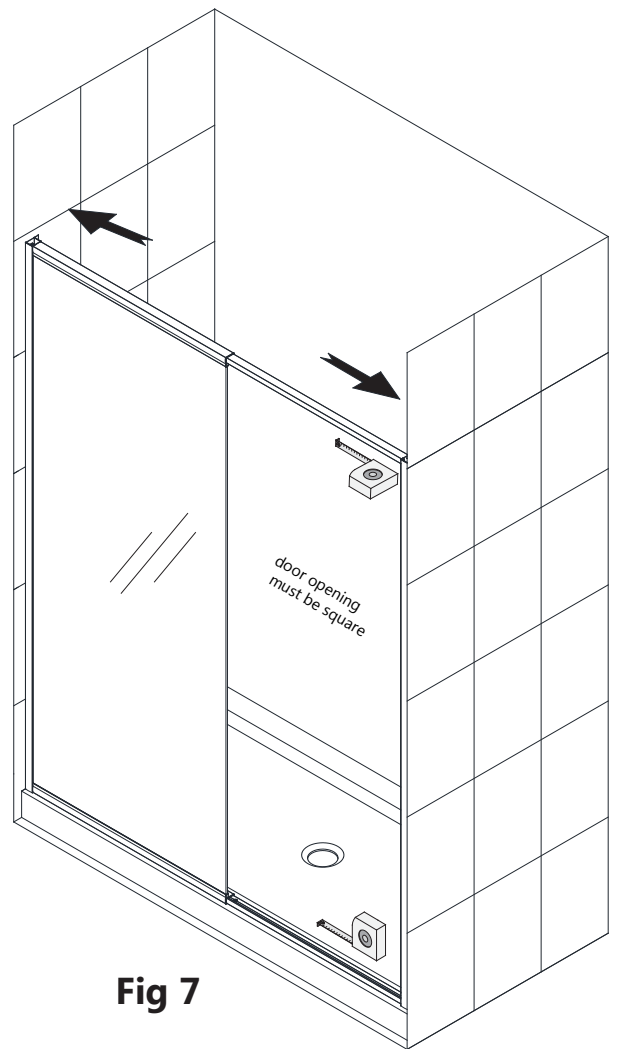


Fig 7

8. Check that the the assembly is plumb on the wall and even across the threshold. Mark the position of the **Wall Profiles (#01)** on the wall.

See Fig 8 for details

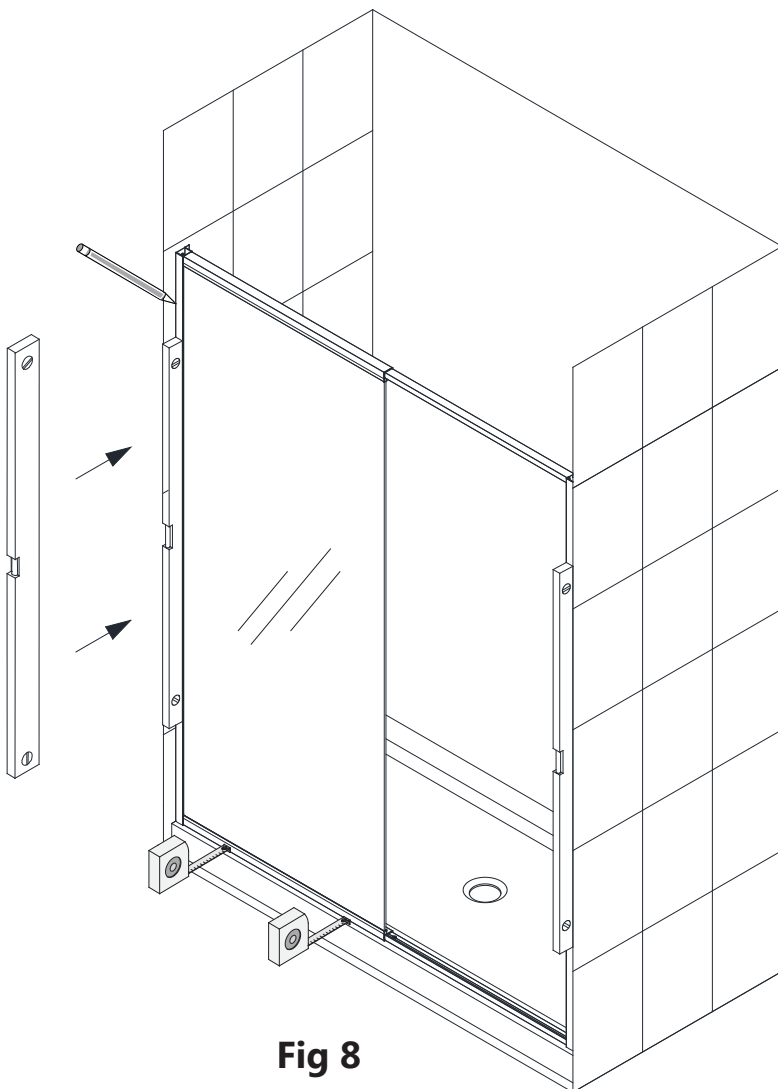


Fig 8

9. Move the assembly aside, remove the wall profiles and mark the holes for drilling. Make sure that the **Wall profiles (#01)** are tight to the threshold.

See Fig 9 for details

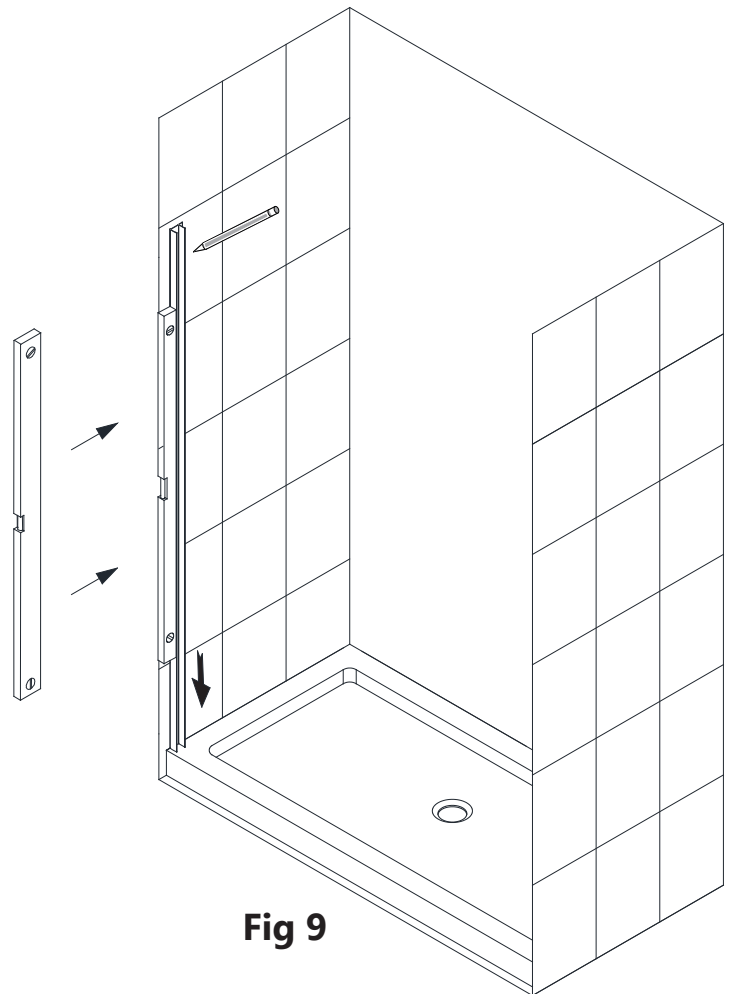
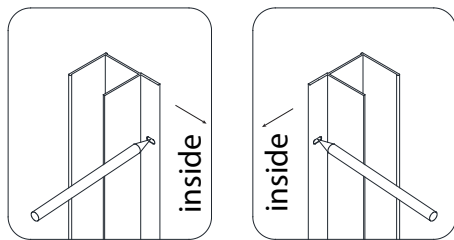


Fig 9

10. Drill the holes using a $\text{Ø}5/16''$ (8mm) drill bit and insert the **Wall anchors (#03)**.

See Fig 10 for details

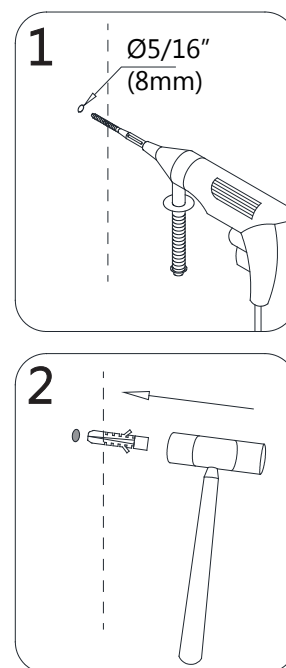
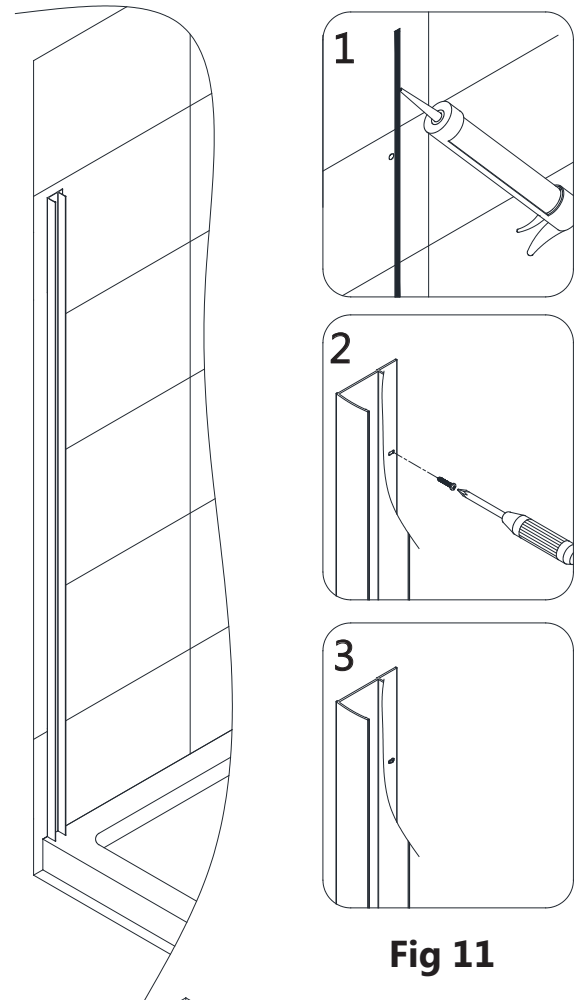


Fig 10

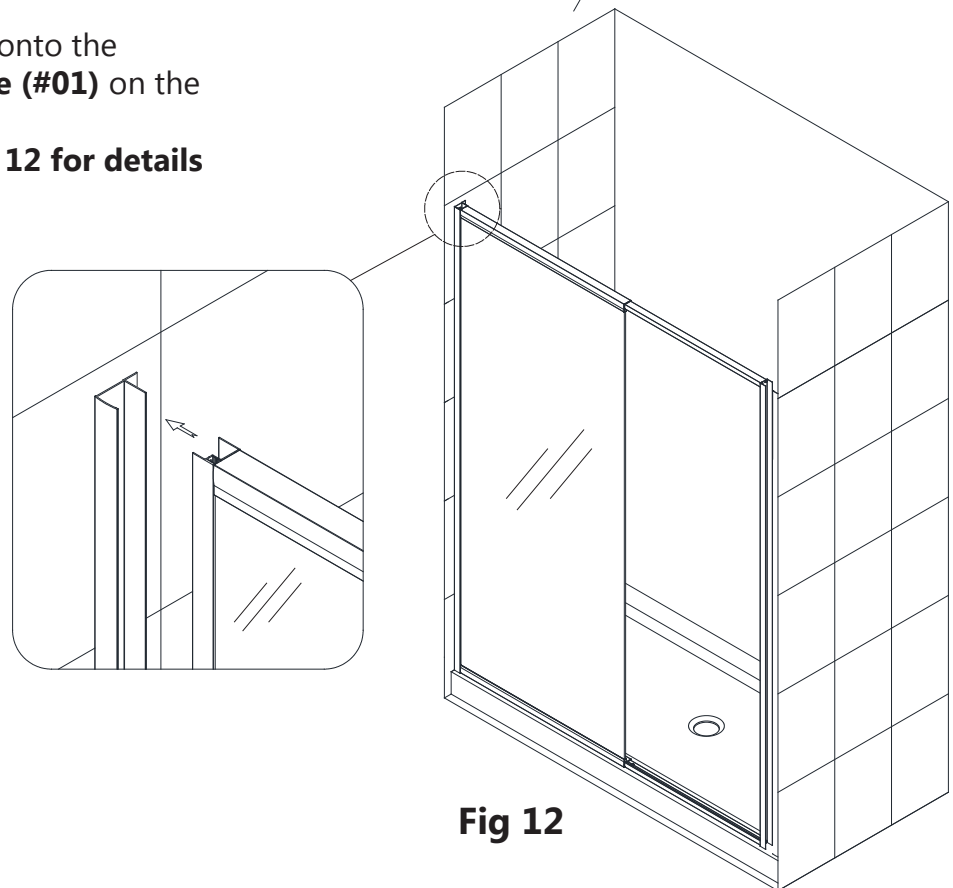
11. Apply a bead of silicone to the wall and screw holes where the **Wall profiles (#01)** will be installed. Attach the **Wall profiles (#01)** to the wall using the **ST4.2 x 40 Truss Head screws (#05)**. Repeat this process for the opposite wall profile.

See Fig 11 for details



12. Place the assembly back onto the threshold into the **Wall Profile (#01)** on the panel side first.

See Fig 12 for details



13. Extend the **Expandable rails** evenly so that the **Magnetic Strike profile (#12)** goes into the opposite **Wall Profile (#01)**.

See Fig 13 for details

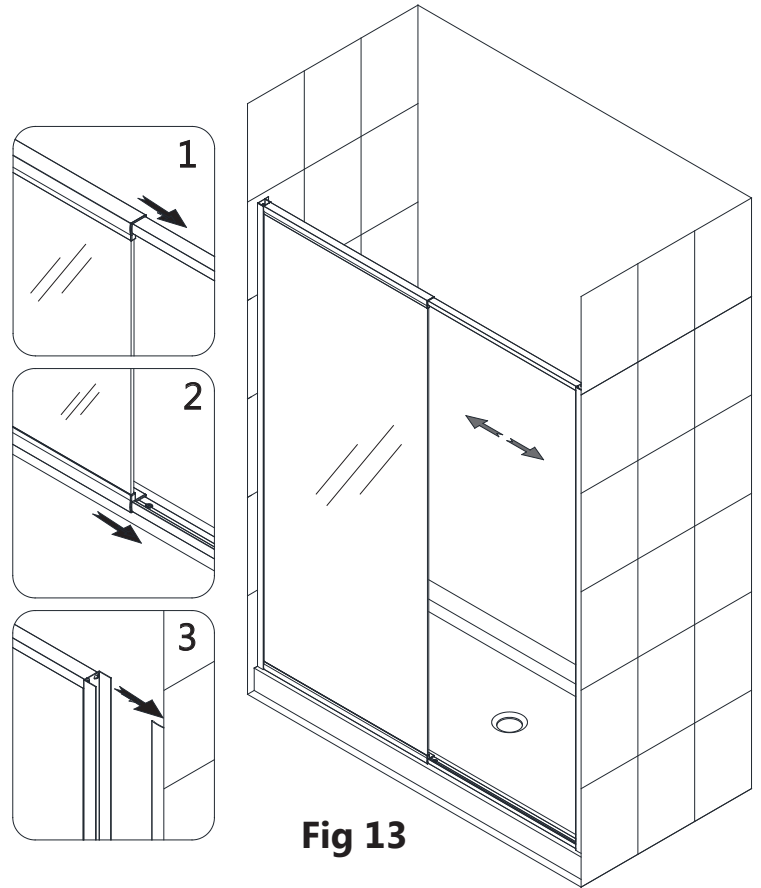


Fig 13

14. Check the door opening for square and make certain that the entire assembly is tight to the threshold.

See Fig14 for details

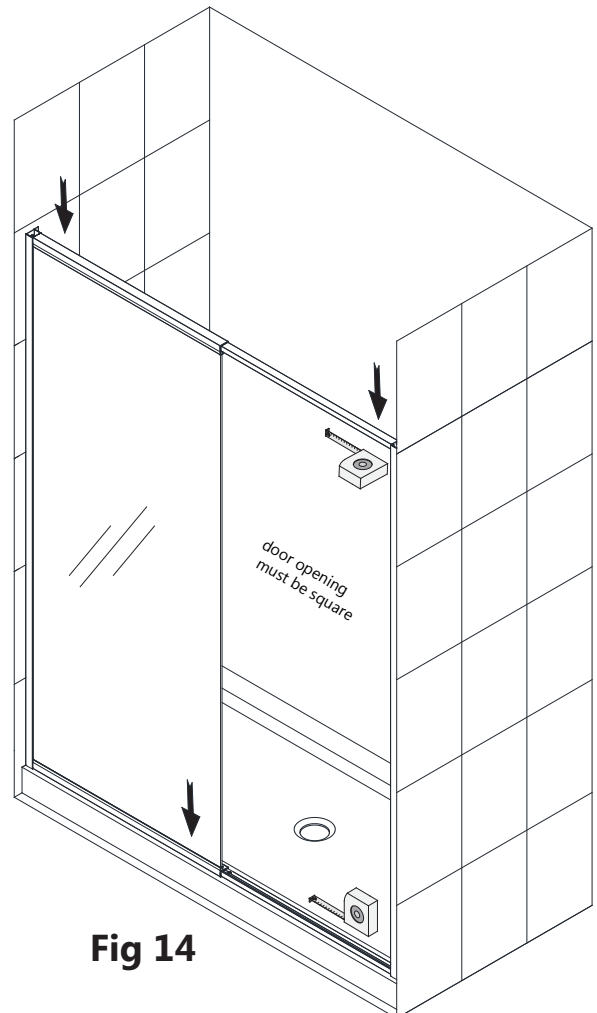


Fig 14

15. Install the **Top & Bottom pivot hardware (#16)** into the pivot holes of the **Top & Bottom pivot rails (#15)**.

Note: The pivots are paired. Install the pivots so that the door will swing out. (bolts face inside the shower)

See Fig 15 for details



NOTE: DO NOT install the handle onto the door glass until instructed to do so. DO NOT attempt to lift the glass using the handle. This could result in damage to the glass and/or serious personal injury. Always use an assistant or a professional grade glass suction cup when handling heavy glass.

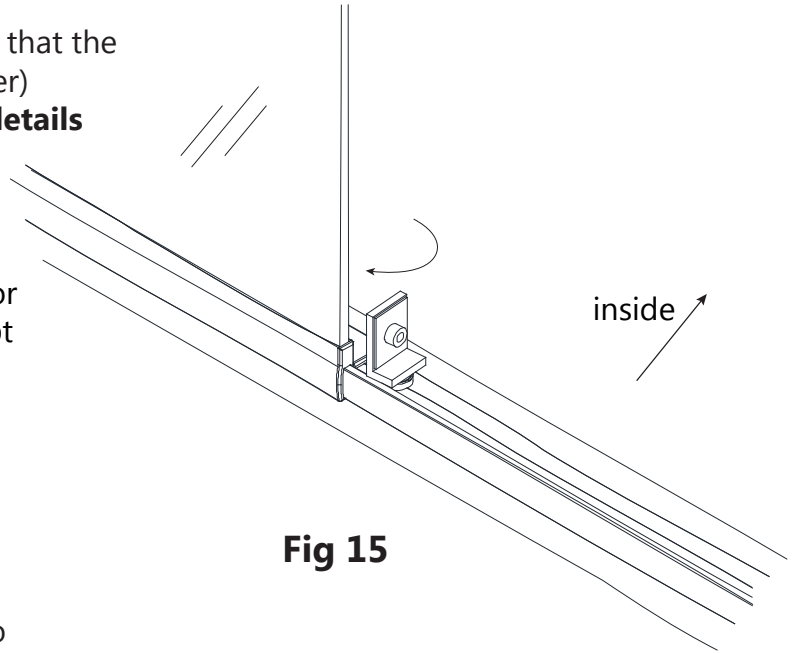


Fig 15

16. Carefully install the **Door Glass (#17)** onto the **Top & Bottom Pivot hardware (#16)**.

Make certain that all gaskets are in place to protect the glass. Cover the bolt with the decorative cap.

See Fig 16 for details

Note: Make sure that the magnet edge of the door glass faces into the shower.

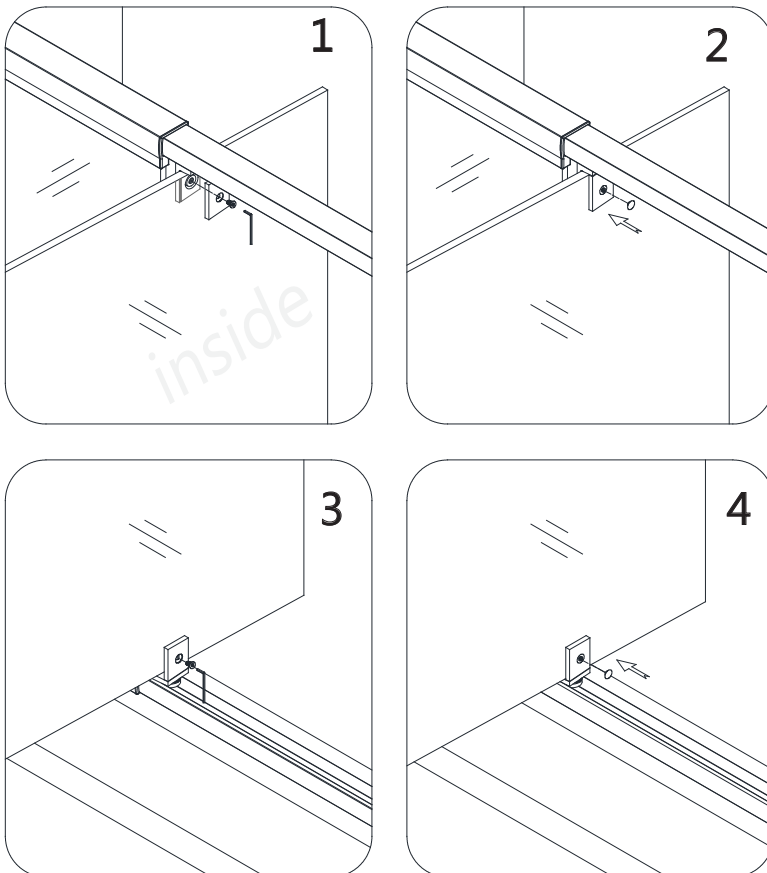
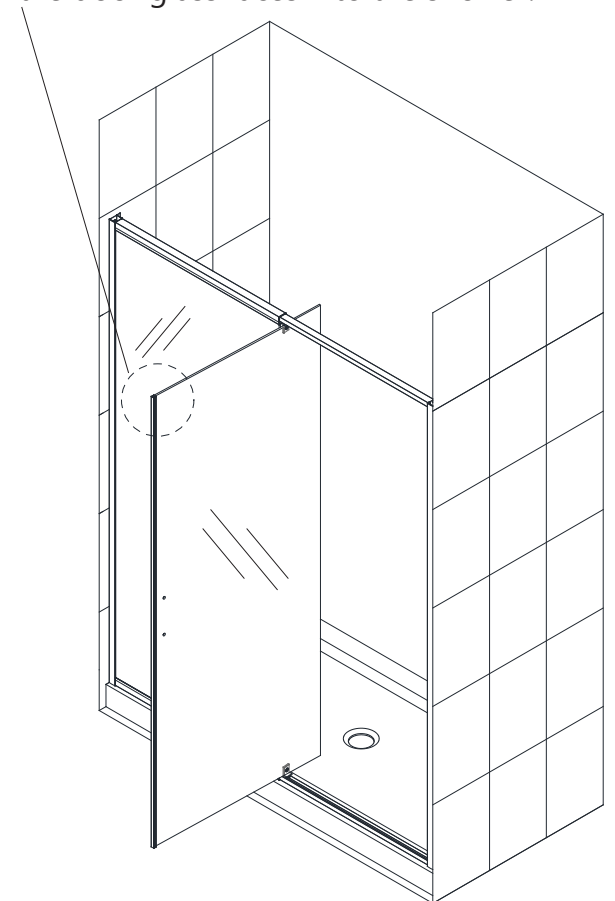


Fig 16



Right hand door installation shown

17. Test the operation of the door to make sure that the magnetic seal makes full contact.

See Fig 17 for details

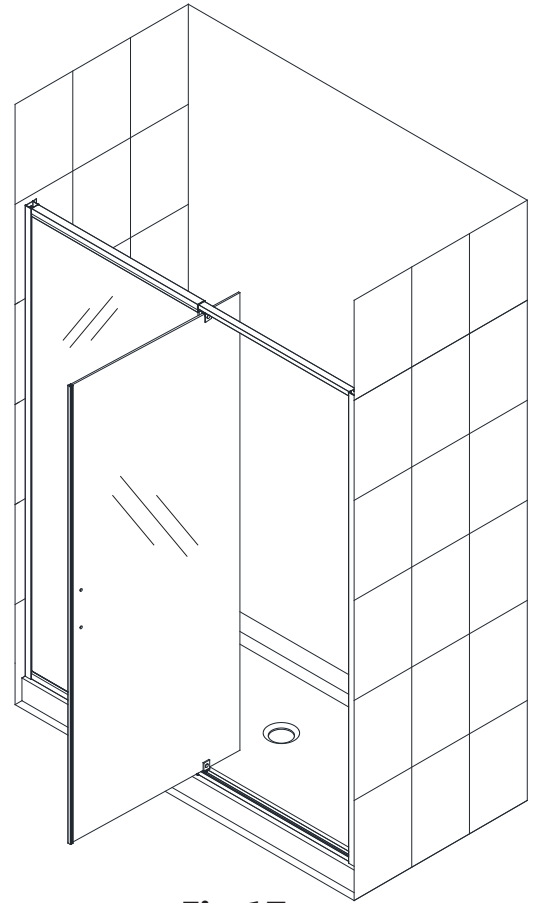


Fig 17

18. Attach the **Handle (#13)** to the door glass.

Trim the **Bottom anti-water strip (#08)** to fit on both sides of the pivot and attach both pieces to the bottom of the door glass.

NOTE: Measure to the edge of the door and notch the **Bottom anti-water strip (#08)** with a razor knife to fit around the magnet strip, leaving the bottom sweep intact.

See Fig 18 for details

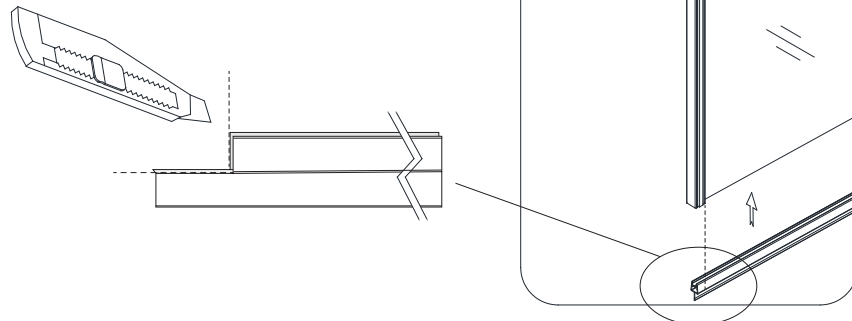
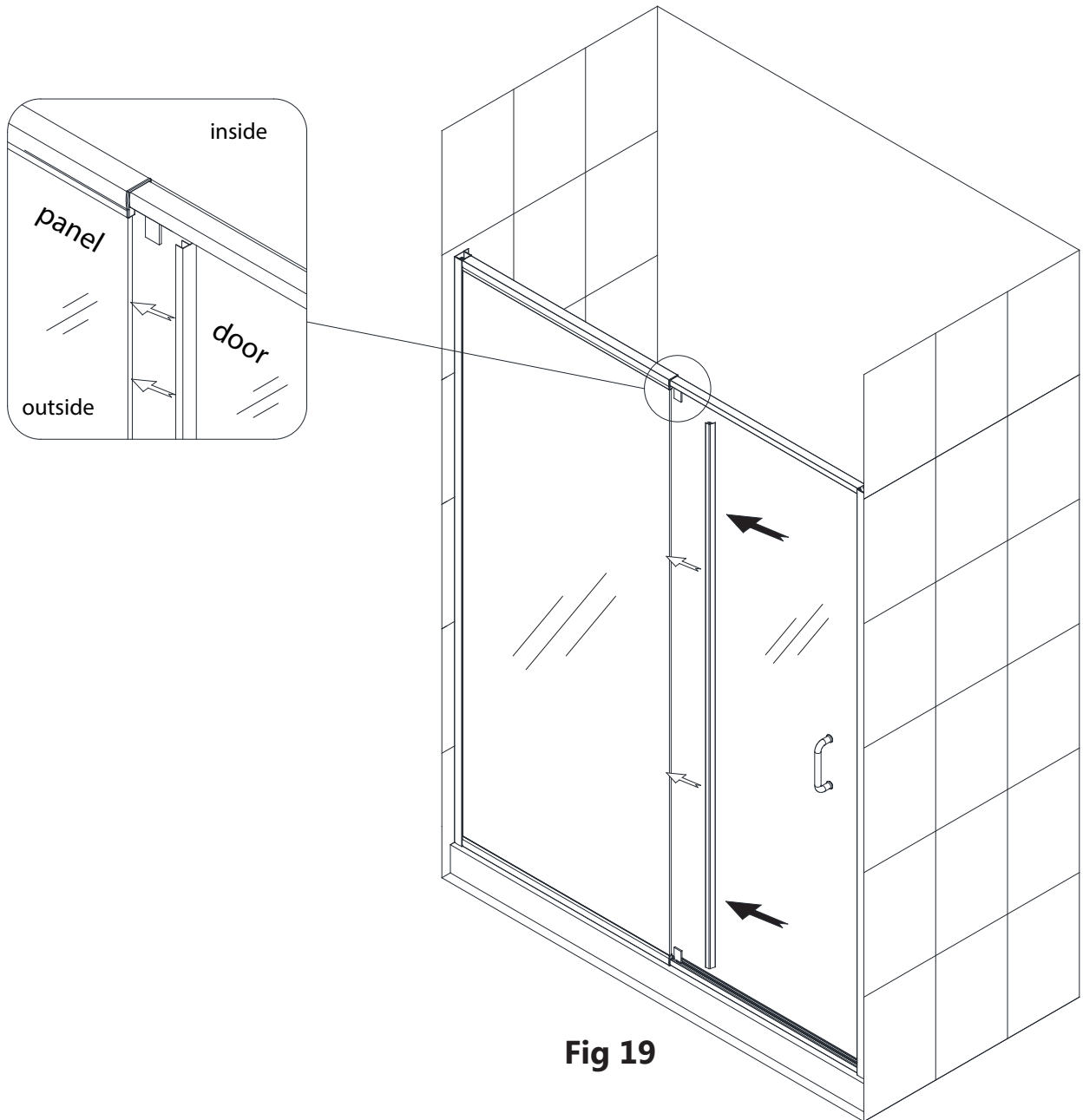


Fig 18

Right hand door installation shown

19. Attach the **Flanged Anti-water strip (#07)** to the vertical edge of the **Stationary panel glass (#02)** with the flange facing into the shower.

See Fig 19 for details



Right hand door installation shown

20. Once all adjustments have been made, drill pilot holes from inside of the shower into the **Top & bottom Expanding rails** through the predrilled holes using an **Ø 1/8" drill bit**.

Note:

Do not drill the Expanding rail throughout, only through the first layer.

Secure the Expanding rails using the **Round head screws ST4.2x10 (#04)** and the raised white **washers**. Cover the exposed screw heads and washers with the **Decorative caps (#06)**.

See Fig20 for details

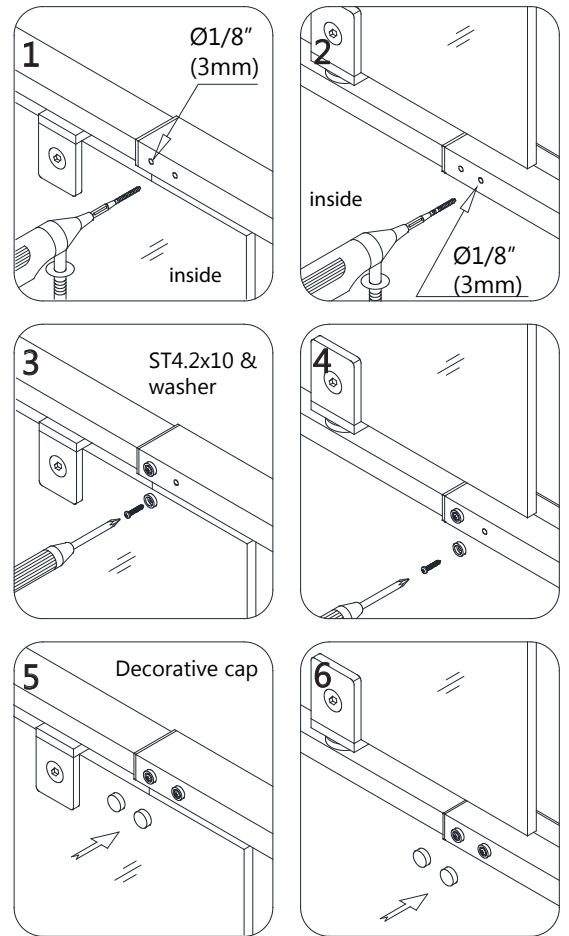
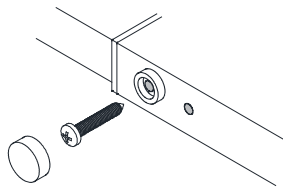


Fig 20

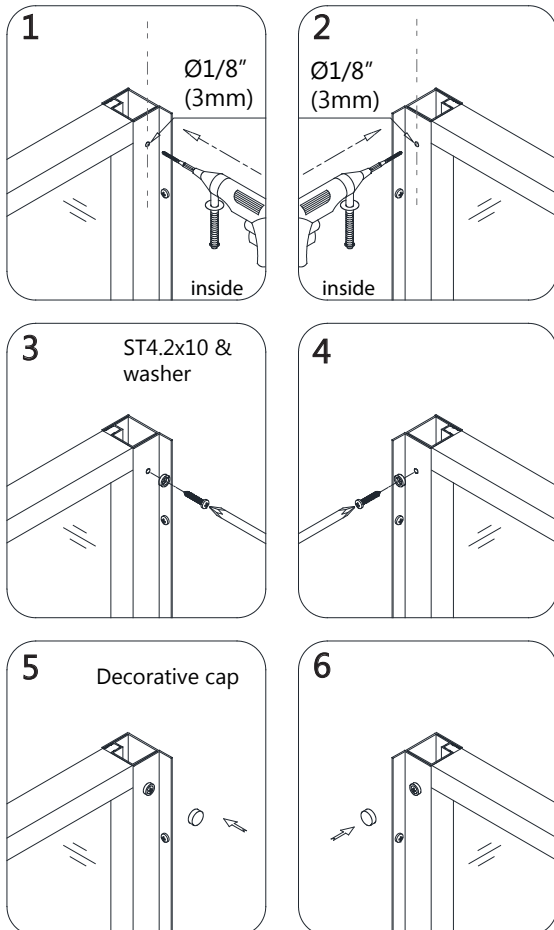


Fig 21

21. Make any final adjustments to the Door assembly within the **Wall profiles (#01)**. Make sure that the entire assembly sits tight down onto the threshold.

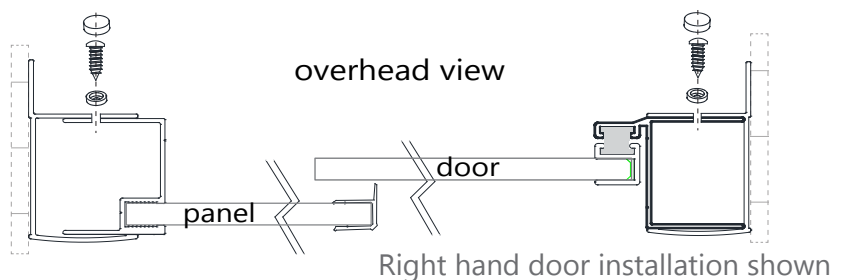
From inside the shower, drill holes into the **Wall profiles (#01)** near the center at the top and bottom of the profile using an **Ø 1/8" drill bit**.(Fig 22.1 & 22.2)

Note: Do not drill the profiles throughout, only through the first layer.

Secure the Door assembly inside the **Wall profiles (#01)** using the **Round head screws ST4.2x10 (#04)** and the raised white **washers**.

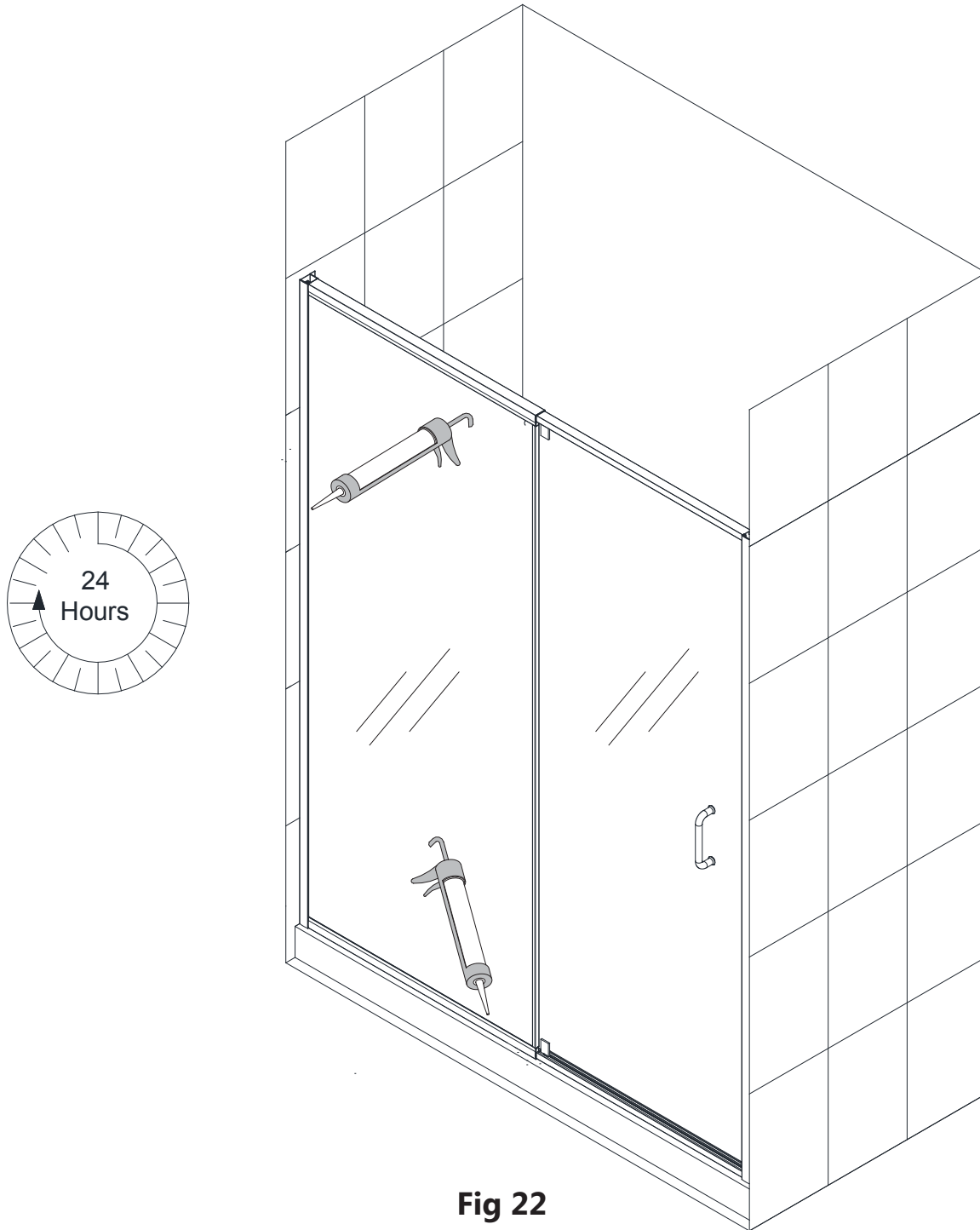
Cover the exposed screw heads and washers with the **Decorative caps (#06)**. Repeat this step on the strike side wall profile as well.

See Fig 21 for details



22. Apply a good quality mildew-resistant silicone around the interior perimeter along both walls and the threshold.

Allow 24 hours for the silicone to fully cure before using the shower.



Right hand door installation shown

Product Maintenance

BASES and BACKWALLS: To ensure a long life for your acrylic back walls: wipe them off after each use with a soft cloth. To clean the acrylic back walls use non-abrasive sprays or cream based cleaners. Never use abrasive cleansers, metal brushes or scrapers that could scratch or dull the surface.

GLASS: To ensure long lasting life for your glass shower products: wipe them off after each use with a soft cloth. Rinse and wipe off the glass using either a soft cloth or a squeegee to prevent soap buildup and water spots. To prevent scratching the surface: never use abrasive cleaners and cleaning products that contain scouring agents. Never use bristle brushes or abrasive sponges.

HARDWARE: To ensure a long lasting finish: wipe off the metal parts after each use with a soft cloth. Do not use abrasive cleaners or cleaning products containing ammonia, bleach or acid. If accidentally used, rinse the surface as soon as possible to prevent finish peeling or corrosion. After cleaning the shiny finishes, rinse thoroughly and wipe dry with soft cloth. Never use abrasive sponge or cloth, steel wool or wired brushes as these may permanently scratch the surface.



THE ULTIMATE SHOWER DOOR[®]

TEL: 866-731-2244
FAX: 866-857-3638
DREAMLINE.COM

For more information on DreamLine[®] Shower Doors and Enclosure please visit **DreamLine.com**