

LENOVA

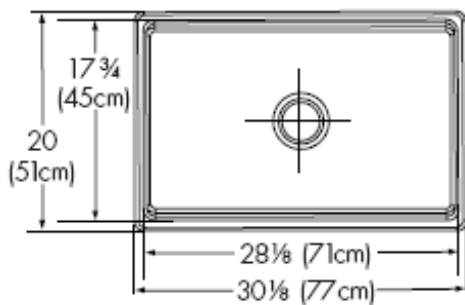
4580 W Roosevelt Rd Hillside, IL 60162 www.LenovaSinks.com

Phone: 312-733-1098 Fax: 708-234-1351 Email: Order@LenovaSinks.com

Firclay Farmhouse Sink

Model #: FC-30-W

. All sides would be finished and a standard drain hole to hold a strainer basket assembly would be required.



Minimum Cabinet Size: 30"

One Sink with Two design



Material: Fire Clay

Minimum Cabinet Size: 30"

Interior Dimensions: 28 1/8" x 17 3/4" x 9 1/4"

Exterior Dimensions: 30 1/8" x 20" x 10 1/8"

Warranty:

Limited Life Time Warranty against manufacturer defects.