

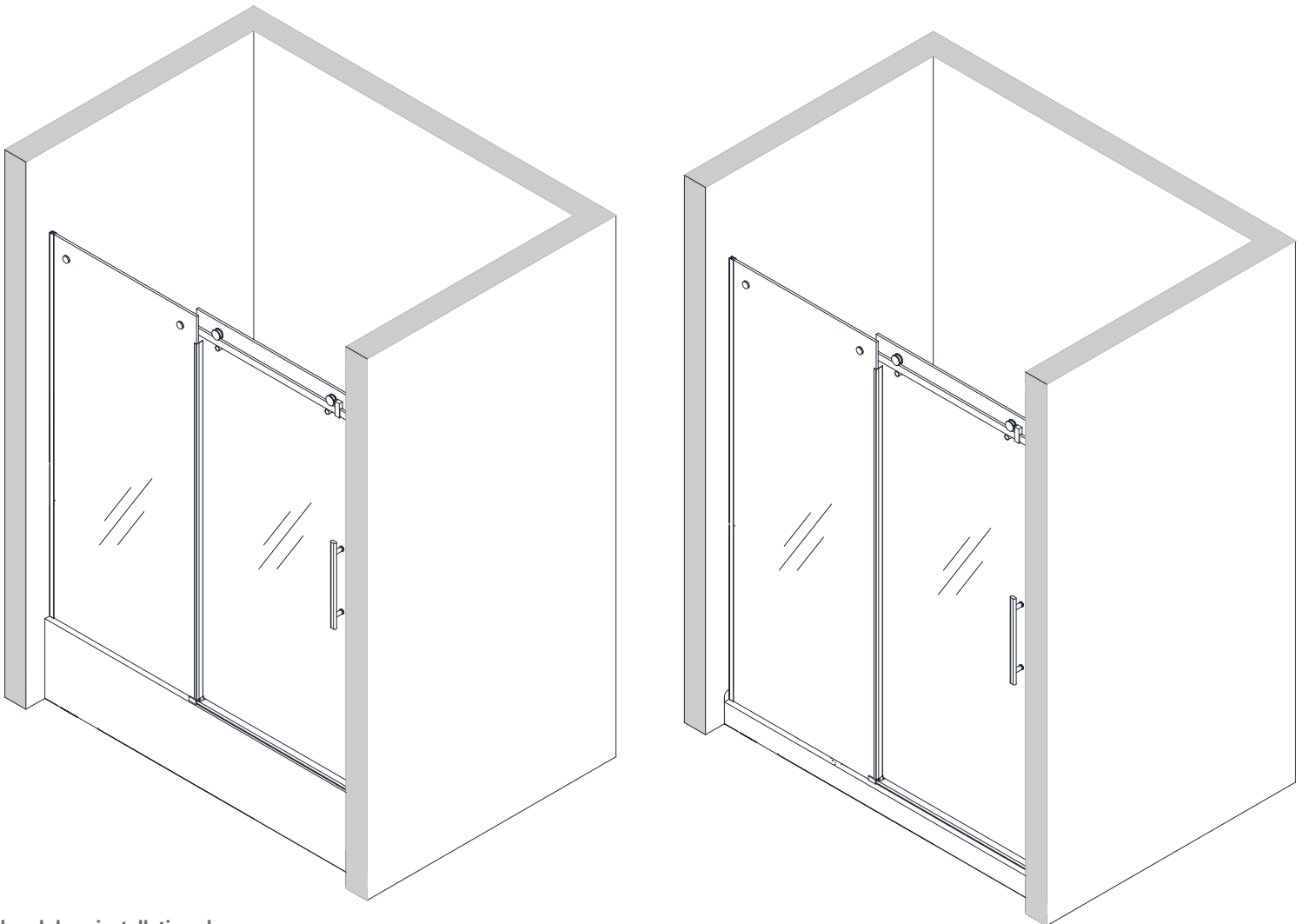


ENIGMA AIR

SHOWER DOOR / TUB DOOR INSTALLATION INSTRUCTIONS

IMPORTANT

DreamLine® reserves the right to alter, modify or redesign products at any time without prior notice. For the latest up-to-date technical drawings, manuals, warranty information or additional details please refer to your model's web page on DreamLine.com



Right hand door installation shown

Please read these instructions carefully before installing. If you have any questions regarding installation, please contact our technical support specialists Monday through Friday 8:00 AM – 7:00 PM EST at Phone: 1-866-731-2244, Fax: 1-866-857-3638 or e-mail our technical support group at Support@DreamLine.com

For more information about DreamLine® Shower Doors & Tub Doors please visit DreamLine.com

MODEL #s

SHDR-64487610-##

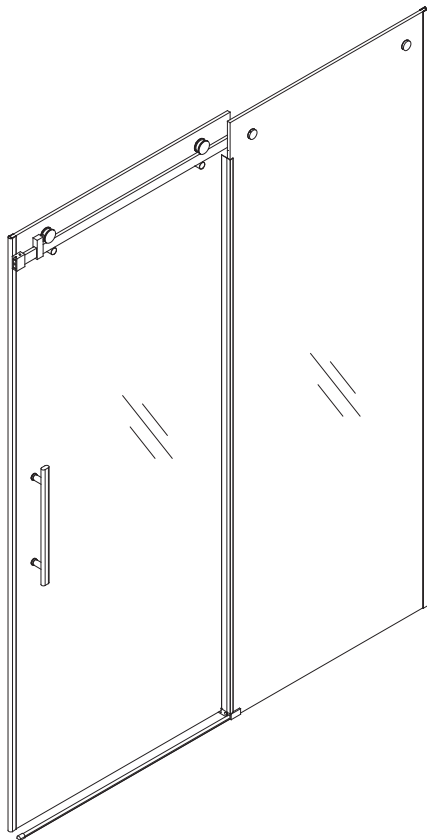
SHDR-64606210-##

SHDR-64607610-##

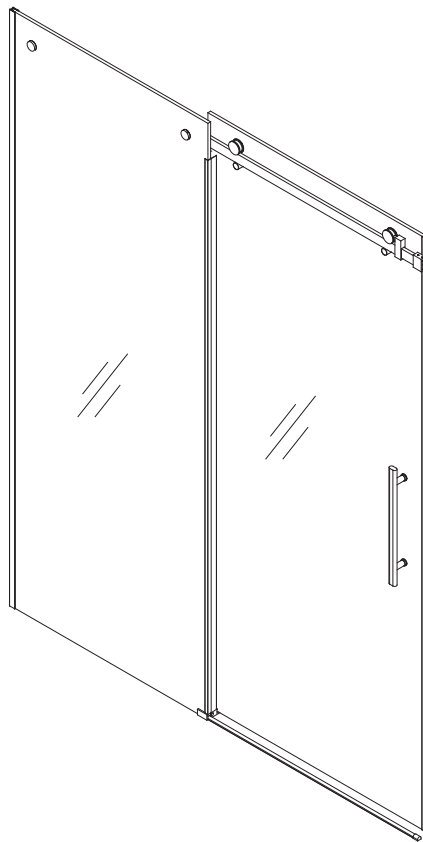
##=finish

07- Brushed Stainless steel

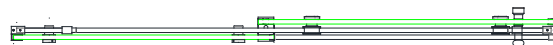
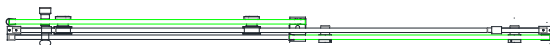
08- Polished Stainless Steel



Left Hand door installation



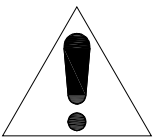
Right Hand door installation



NOTE: This door is reversible for right or left-hand door installation. The right-hand door installation is shown as an example throughout this manual. For the left -hand door installation, simply begin on the opposite wall and reverse the orientation of the steps shown.

Preparation

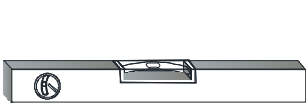
1. Prior to installation, examine all boxes and packages for shipping damage and compare the piece count with your packing slip. After opening all boxes and packages read this introduction carefully. Check that all of the needed parts are included in the package by checking off the components on the “Detailed Diagram of Shower Door Components”. If the unit has been damaged, has a finishing defect, or has missing parts, please contact our customer support department within **3 business days** of the delivery date. **Please note that DreamLine® will not replace any damaged products or missing parts free of charge after 3 business days or if the product has been installed.** Feel free to contact DreamLine® if you have any questions and please provide an order number, job name or other proof of purchase to help us identify your original order.
2. If this unit is going to be installed in a new construction, install all of the required plumbing and drainage before installing the shower. **Use a competent and licensed (if required by local code) plumber for all plumbing installation.**
3. **Please note that you should consult your local building codes with questions about installation compliance standards. Building and plumbing codes may vary by location and DreamLine® is not responsible for code compliance standards for your project and will not accept any returns.**
4. Please make sure that prior to beginning the installation, the surfaces are leveled and solid and will be able to support the total weight of the unit. Also make sure the walls are at right angles. Irregular installation surface level, radius corners or improper angle of side walls will result in serious problems for your installation. Please note that some adjustments and drilling may be necessary during the installation process.
5. Please protect all primary surfaces of the product during installation. Never set your glass down directly onto a tile floor. Leave corner protectors in place until necessary to remove them. Always use a piece of wood or cardboard to protect the bottom edge and corners of the glass prior to and during installation.
6. This unit must be installed upon a finished threshold and against finished walls.
7. This model does NOT have any adjustment for out-of-plumb conditions. Verify that your walls are plumb before proceeding with the installation.
8. This model requires that you drill into the threshold for proper installation.
9. This model requires a minimum **2-1/4”** of flat threshold space for installation.



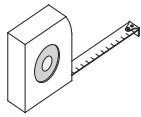
NOTE: DO NOT attach the handle to the door glass until instructed to do so. DO NOT use the handle to lift the glass during installation. This may result in damage to the glass and/or serious injury. Always use an assistant and/or a professional grade glass suction cup when handling heavy glass panels.

NOTE: This manual will describe the shower door installation. Please follow the same sequence of installation steps for the tub door installation.

Tools



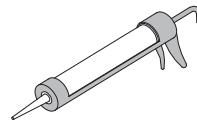
Level



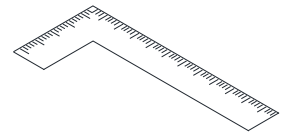
Tape Measure



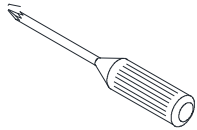
Pencil



Silicone



Carpenter's Square



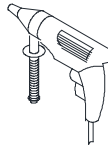
Phillips Screwdriver



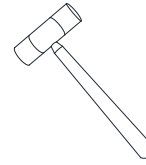
Drill bit (D=5/16")



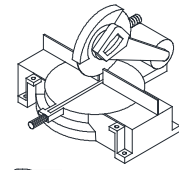
Drill bit (D=1/8")



Power Drill



Soft Head Hammer



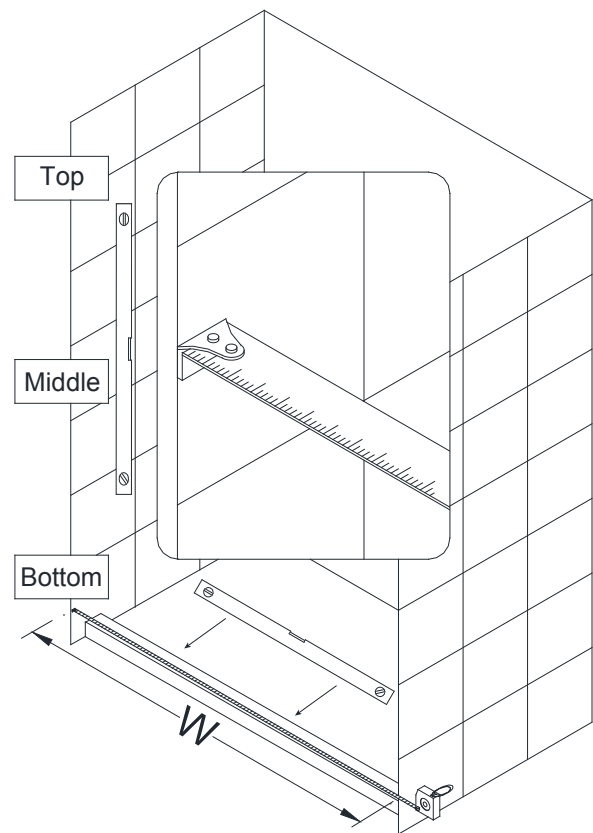
Chop-saw or Hack-saw



Painter's Tape

Tip: Measure the finished opening **before** proceeding with the installation to be sure that the correct model size has been ordered.

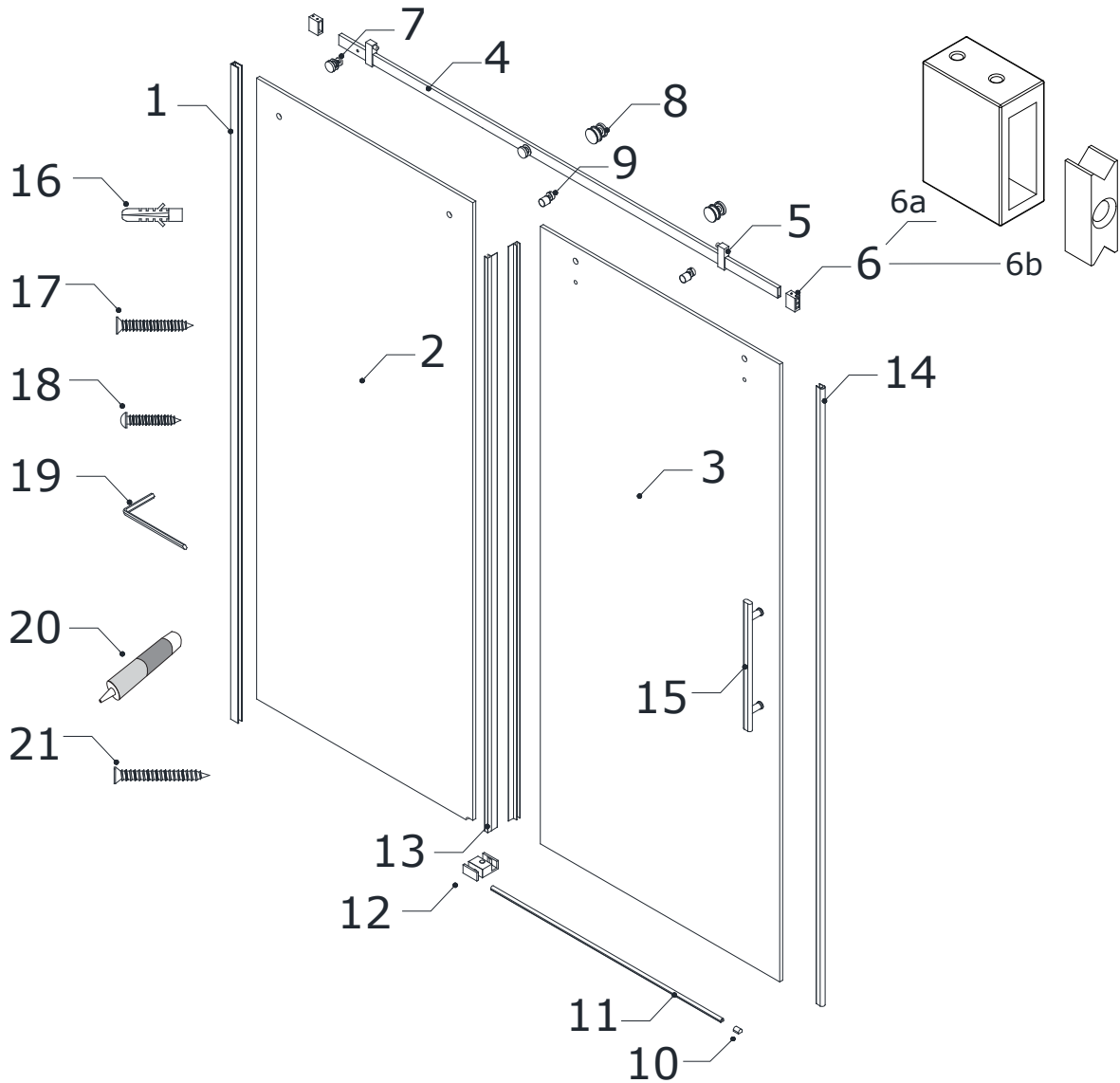
Tip: Prior to installation, cover the shower/tub drain with tape to prevent losing screws or small parts.



NOTE: Unpack your unit carefully and inspect it. Lay it out and identify all parts using the detailed diagram and packing list in this manual as a reference. Before discarding the carton, check for small hardware bags that may have fallen to the bottom of the box. If any parts are damaged or missing, please contact DreamLine® for replacement. The shipping boxes may contain extra parts not used in your model configuration.

NOTE: Retain these installation instructions for future reference.

Detailed Diagram of shower door components



Parts List

#	Item	Qty	#	Item	Qty
1	U-channel	1pc	12	Guide Block	1pc
2	Stationary Glass	1pc	13	Anti-water side strip	2pcs
3	Door Glass	1pc	14	Bumper strip	1pc
4	Guide Rail	1pc	15	Handle	1set
5	Stopper	2pcs	16	Ø 5/16" (8mm) plastic wall anchor	7pcs
6	Guide Rail Bracket (6a & 6b)	2pcs	17	ST4.2×40 countersunk screw	4pcs
7	Glass Bracket	2pcs	18	ST4.2×25 round head screw	1pc
8	Roller	2pcs	19	Allen wrench (4mm)	1pc
9	Roller Guard	2pcs	20	Thread Lock Adhesive	1pc
10	Threshold End Cap	1pc	21	ST4.2×55 countersunk screw	2pcs
11	Anti-splash Threshold	1pc			

Installation steps

1. Check both of the finished walls for plumb and the threshold for level.

NOTE: This model does not allow for out-of plumb adjustment.

See Fig 1 for details

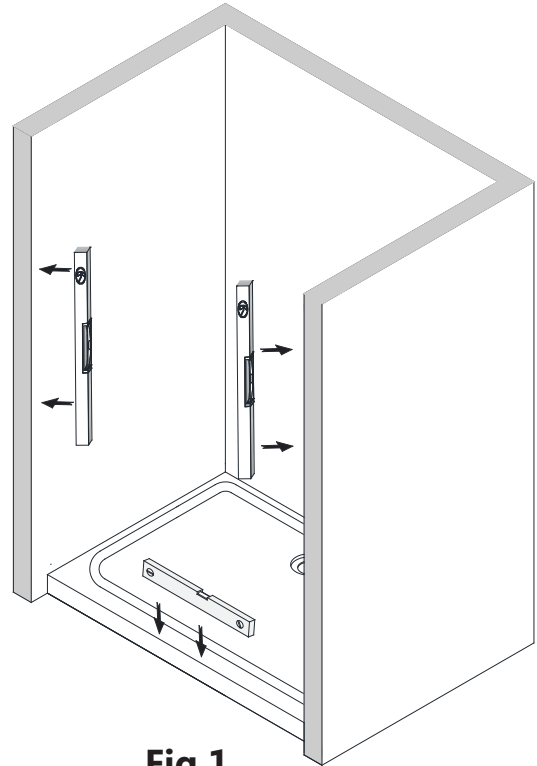


Fig 1

2. Using a Chop-saw or a Hack-saw, cut the **Guide Rail (#04)** to fit the finished opening.

Measure the finished opening width at the position of the **Guide Rail (#04)** for the model height:

- for shower model: Measure the width at a height of 72-1/4"
 - for tub model: Measure the width at a height of 58-1/4"
- This will be dimension "L".

The **Guide Rail (#04)** is 1" less than the model size. and will need to be cut to 1" less than the finished opening size "L".

Finished opening "L" - 1" = finished cut length

See Fig 2 & 3 for details

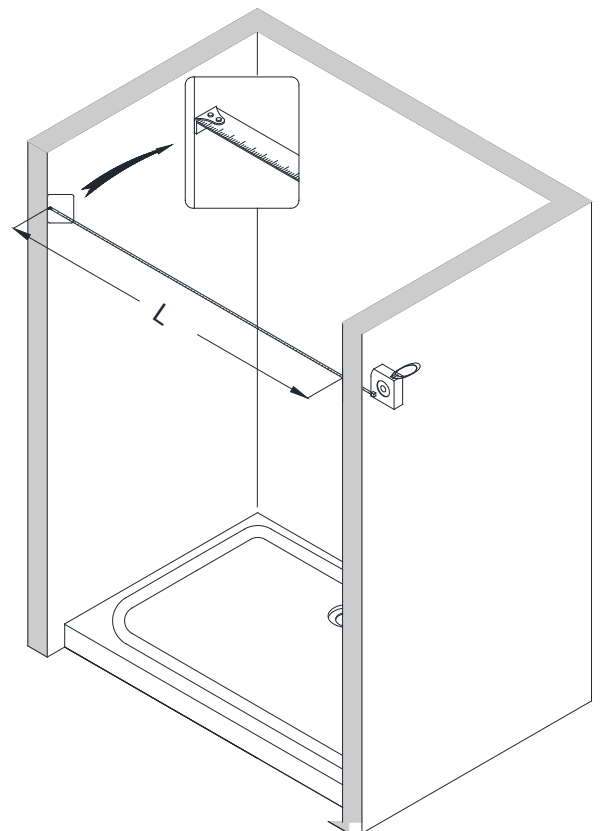
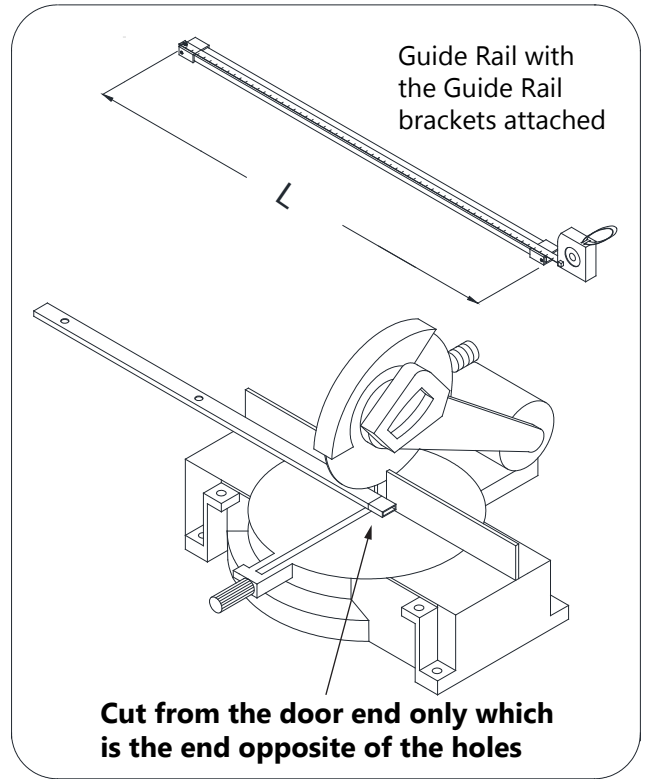


Fig 2

Finished opening "L" - 1" = finished cut length



NOTE: Use a metal file to remove any burrs from the cut end of the **Guide Rail (#04)**.

Fig 3

3. This model requires a minimum 2-1/4" of flat threshold space for installation.

Starting from the wall on the stationary panel side, use a Carpenter's Square as a guide and measure in 1/4" from the outside of the threshold and mark the threshold. Extend this line across the threshold to the opposite wall to use as a reference in step#17.

See Fig 4 for details

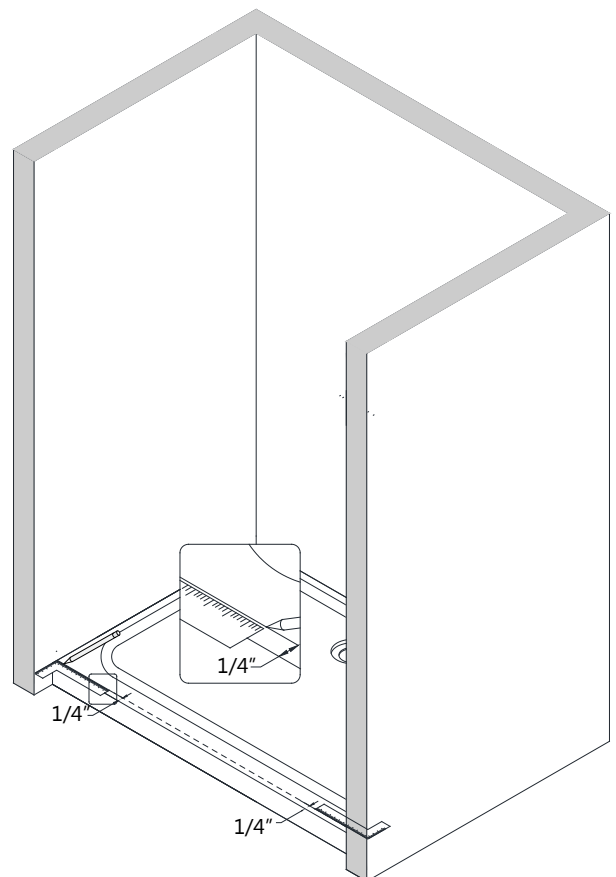
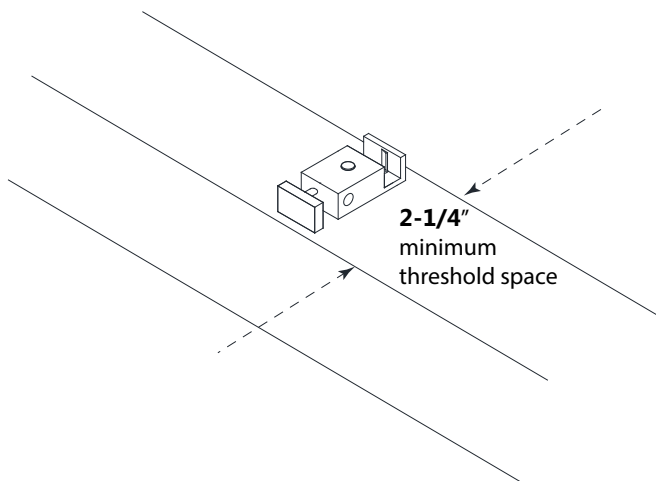


Fig 4

4. Align the edge of the **U-Channel (#01)** to the inside of the mark on the threshold. Mark the position of the **U-Channel (#01)** on the wall and also mark the four holes for drilling.

See Fig 5 for details

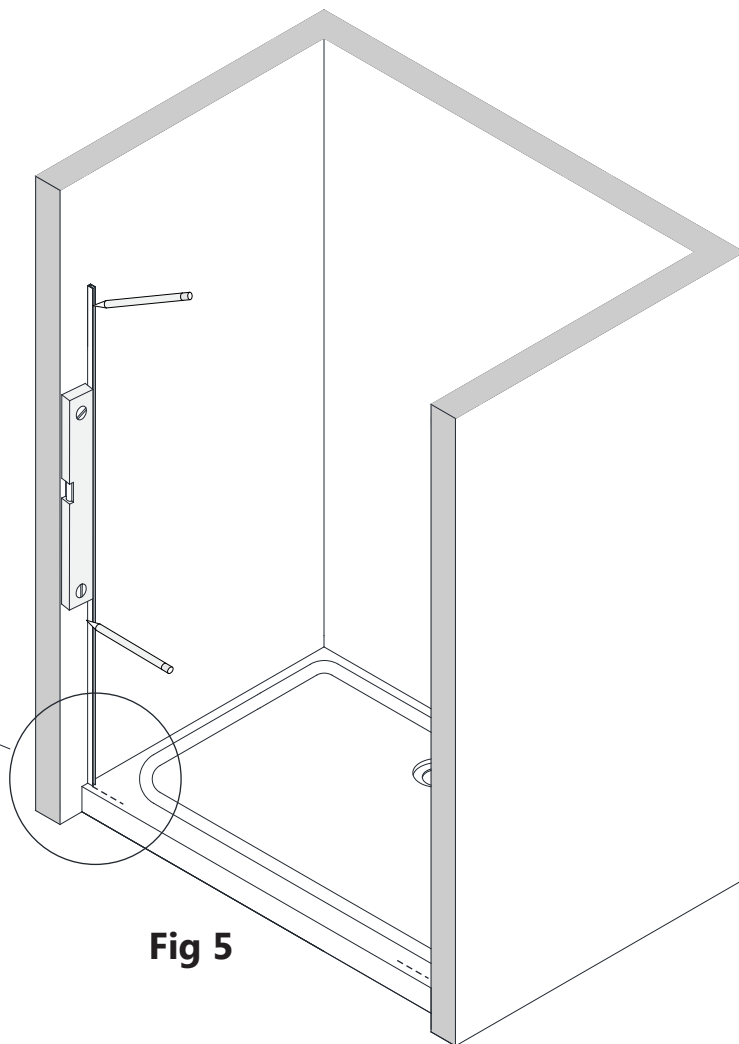
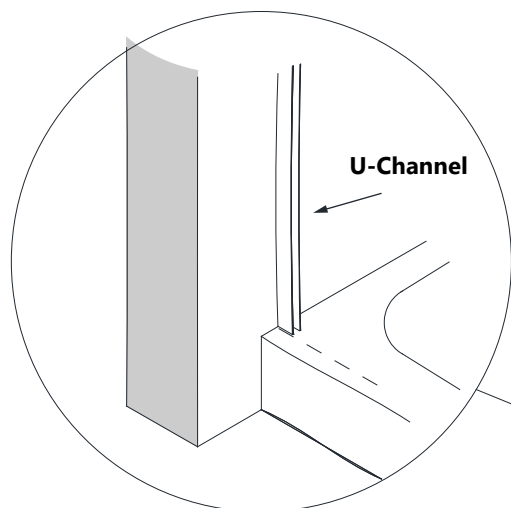


Fig 5

5. Remove the **U-Channel (#01)** from the wall and drill the anchor holes using a **Ø5/16"** drill bit and insert the **Wall Anchors (#16)**. Add a bead of silicone to the back of the **U-Channel (#01)** and attach it to the wall using four of the **ST4.2 x 40 Countersunk screws (#17)**.

See Fig 6 for details

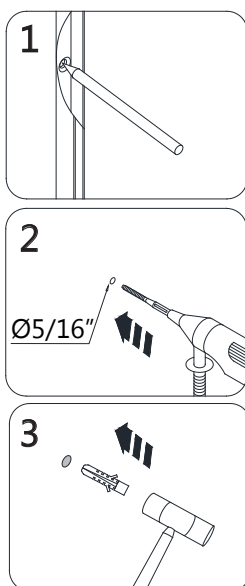
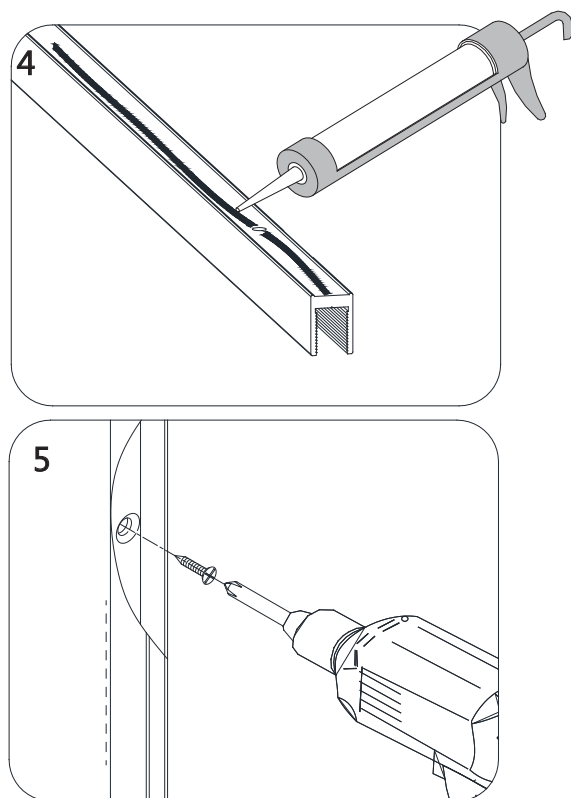


Fig 6



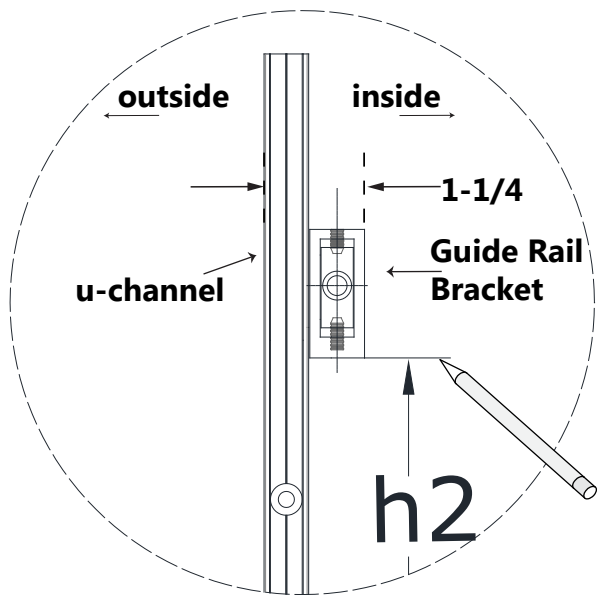


Fig 7

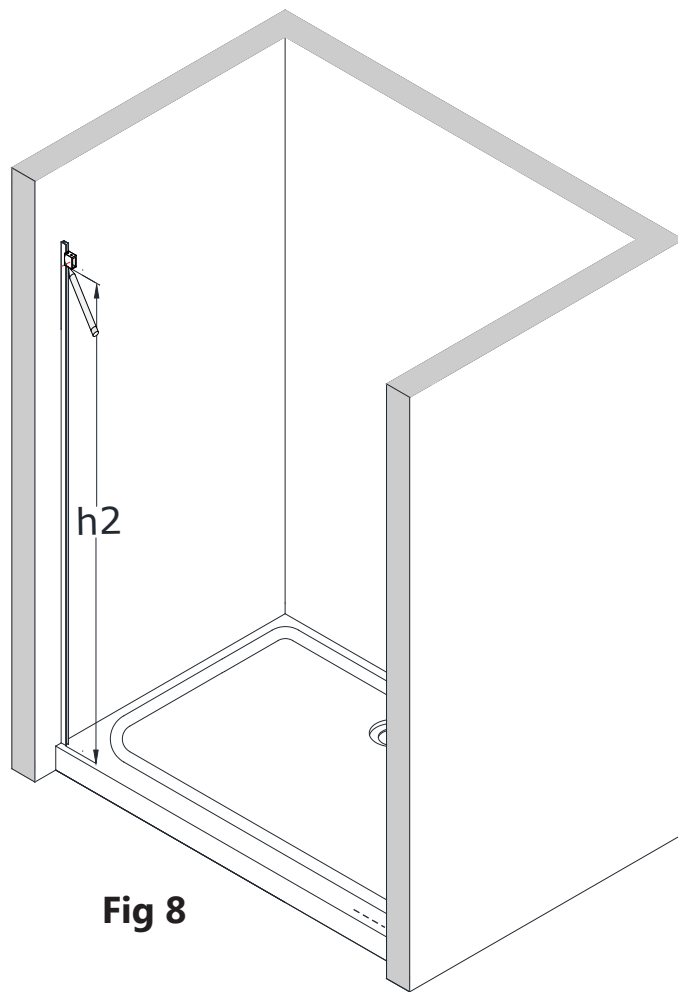
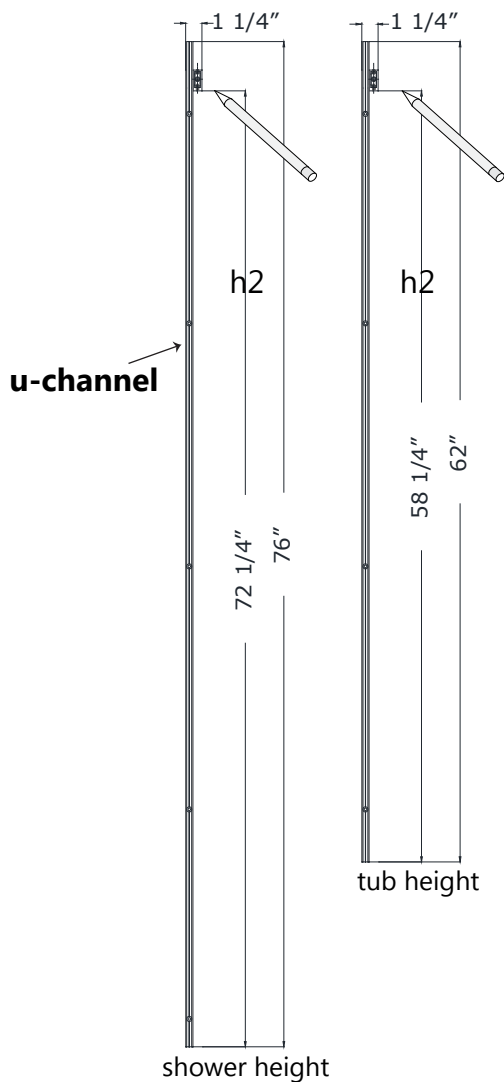


Fig 8

Right hand door installation shown as example

6. To position the Guide Rail Brackets (#06):
 From inside of the shower, measure up from the threshold to the bottom of the **Guide Rail Bracket (#06)** using **Table 1** below. While holding the bracket against the edge of the installed **U-channel (#01)**, mark the wall at the bottom of the bracket.

See Fig 7 & 8 for details



GUIDE RAIL BRACKET HEIGHT

MODEL HEIGHT	h2 =
76" shower	72-1/4"
62" tub	58-1/4"

Table 1

7. Hold the **Guide Rail Bracket (#06)** in the marked position and mark the hole for drilling through the **Guide Rail Bracket (#06)** using a pencil (or center punch.)

See Fig 9 for details

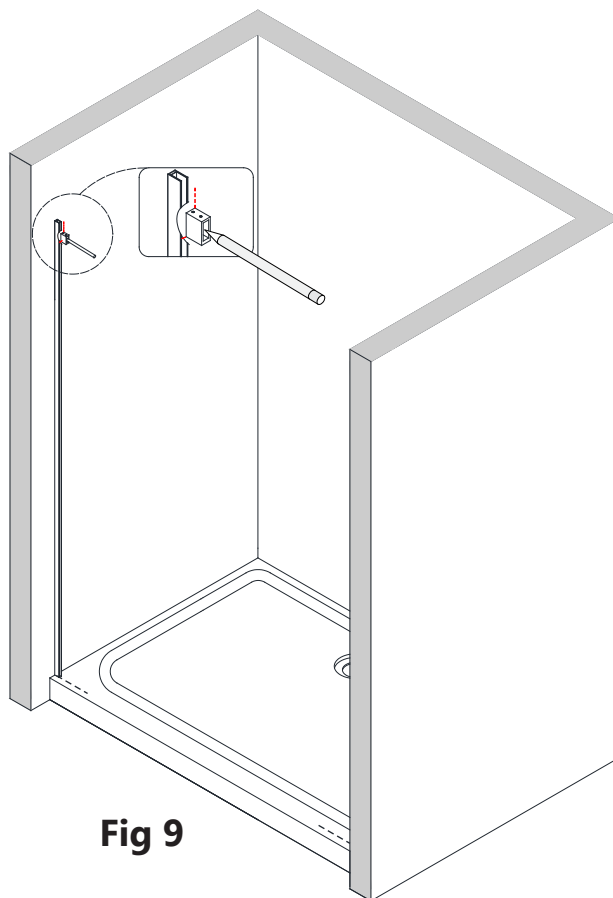


Fig 9

8. Drill a $\text{Ø}5/16''$ anchor hole and insert a **Wall Anchor (#16)**. Separate the **Guide Rail Bracket (#06)** components (6a and 6b). Install the **Guide Rail Wall Bracket (#06b)** to the wall using one **ST4.2 x 55mm Countersunk screw (#21)**.

See Fig 10 for details

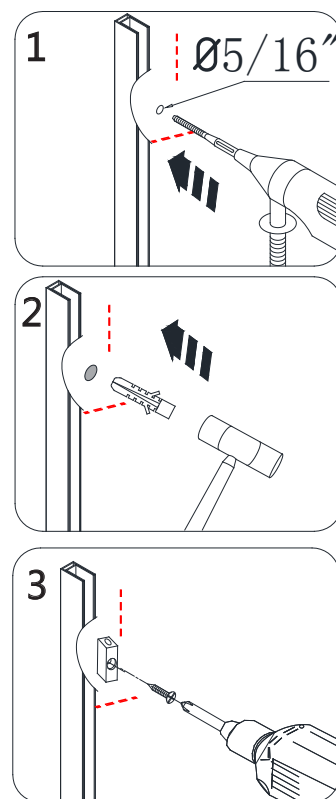
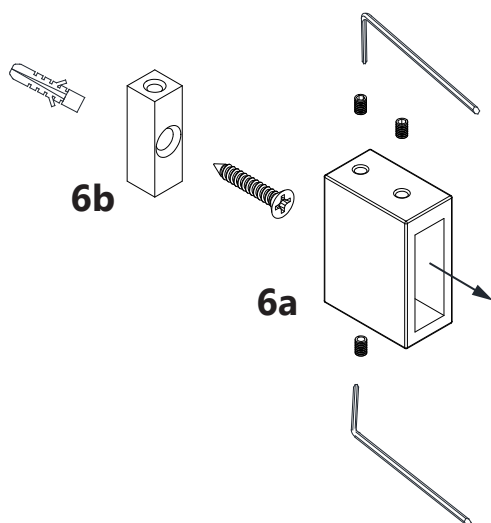


Fig 10

9. Insert the **Stationary Glass (#02)** into the installed **U-Channel (#01)**.

 **Use Caution not to bang the glass into the u-channel or threshold.**

See Fig 11 for details

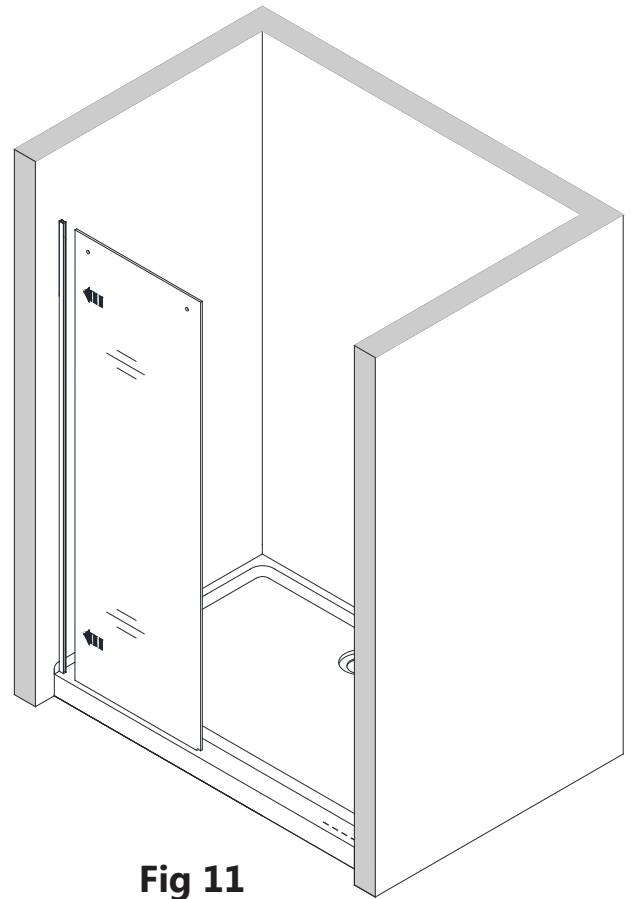


Fig 11

10. Make sure that your **Stationary glass (#02)** is parallel to the front edge of the threshold and mark it. Slide the **Guide Block (#12)** into the notch of the **Stationary glass (#02)**, and align flush with the edge of the glass. Mark its position on the threshold and also mark the hole for drilling using a pencil (or center punch.)

See Fig 12 for details

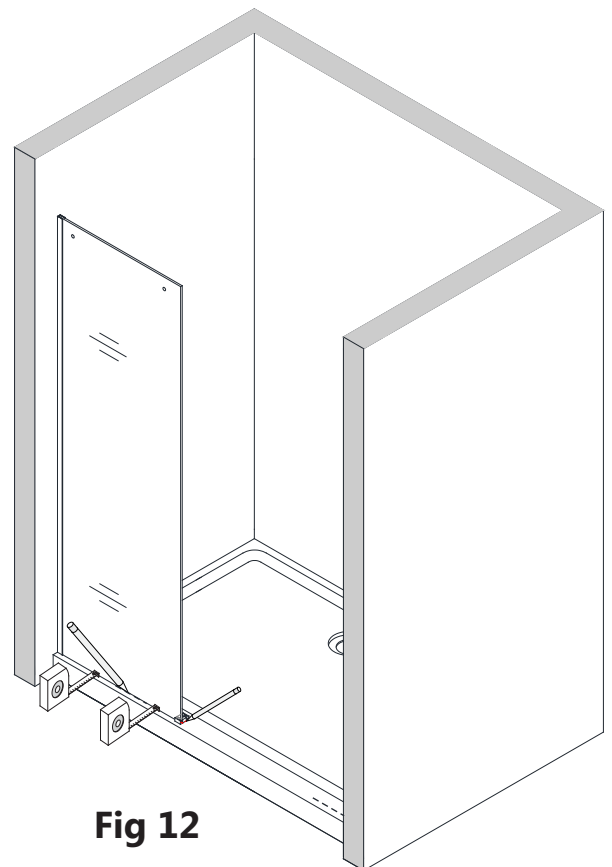
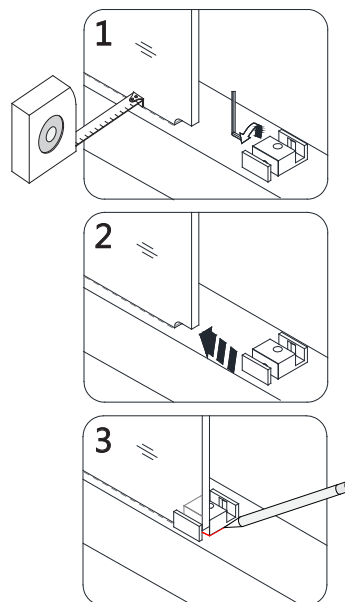


Fig 12

11. Remove the **Stationary Glass (#02)** from the **U-Channel (#01)** and carefully set it aside.

See Fig 13 for details

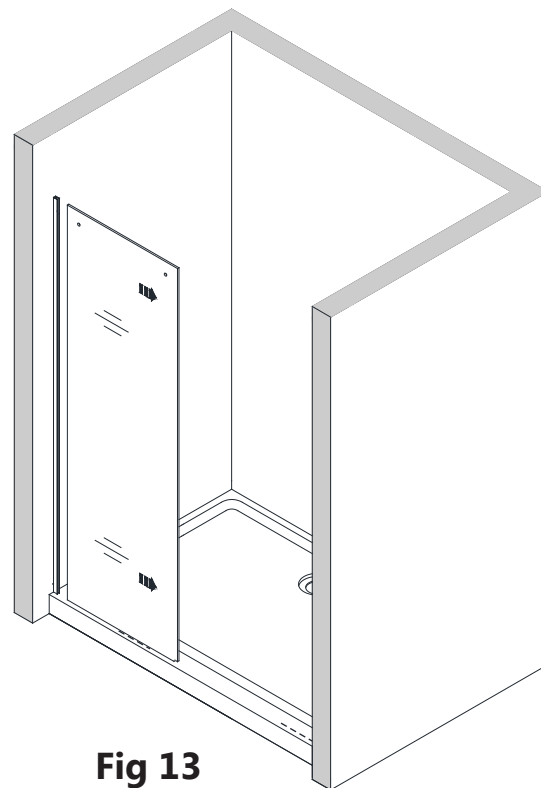


Fig 13

12. To install the **Guide Block (#12)**: Loosen the set screw on the side and remove the **guide block face plate** (Fig. 14.5) Apply silicone to the underside of the **Guide Block (#12)** and screw the **Guide Block (#12)** to the threshold as described below:

***NOTE:**

- For installation into an acrylic threshold:
 - drill an $\text{Ø}1/8''$ (3mm) hole and use the **ST4.2 x 25mm Round Head screw (#18)**

OR

- For installation into a tile threshold:
 - drill a $\text{Ø}5/16''$ (8mm) hole, install **Wall anchor 5/16'' (#16)** and use the **ST4.2 x 40mm Countersunk screw (#17)**.

Note: For tub installations: the bottom bracket must be screwed down to the tub deck.

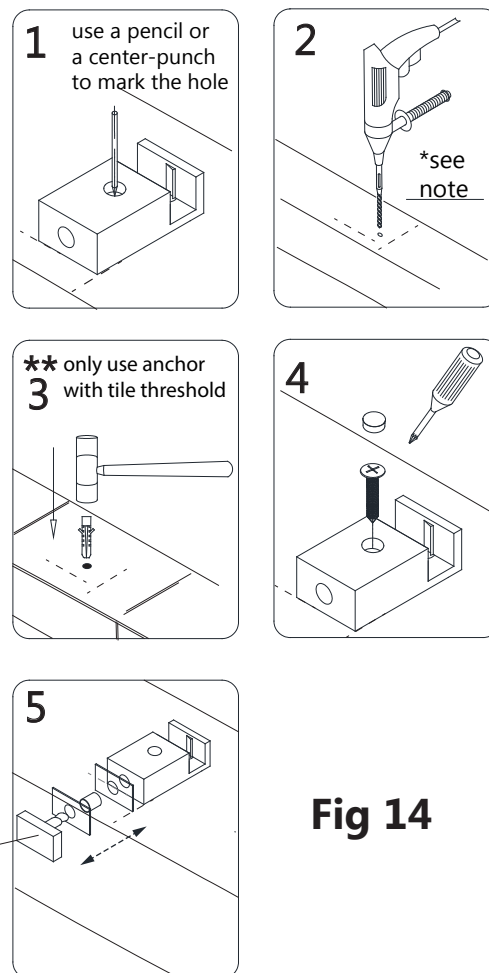
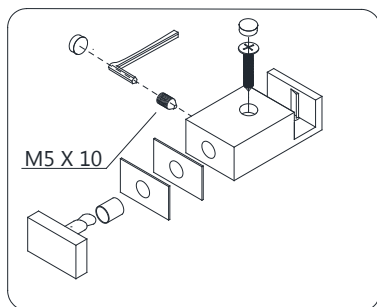
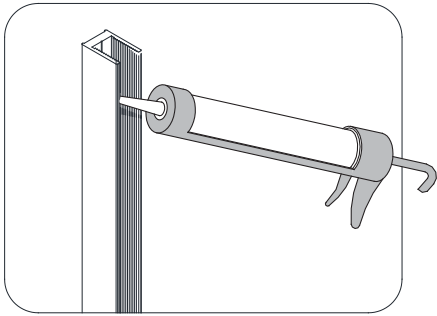


Fig 14



Part#12 - Guide Block (with caps)

TIP: Bring the door glass into the shower before permanently installing the stationary panel glass and guide rail.



13. Apply silicone into the **U-Channel (#01)**. Slide the **Stationary Glass (#02)** firmly into the installed **U-Channel (#01)**.

 **Use Caution not to bang the glass into the u-channel or threshold.**

See Fig 15 for details

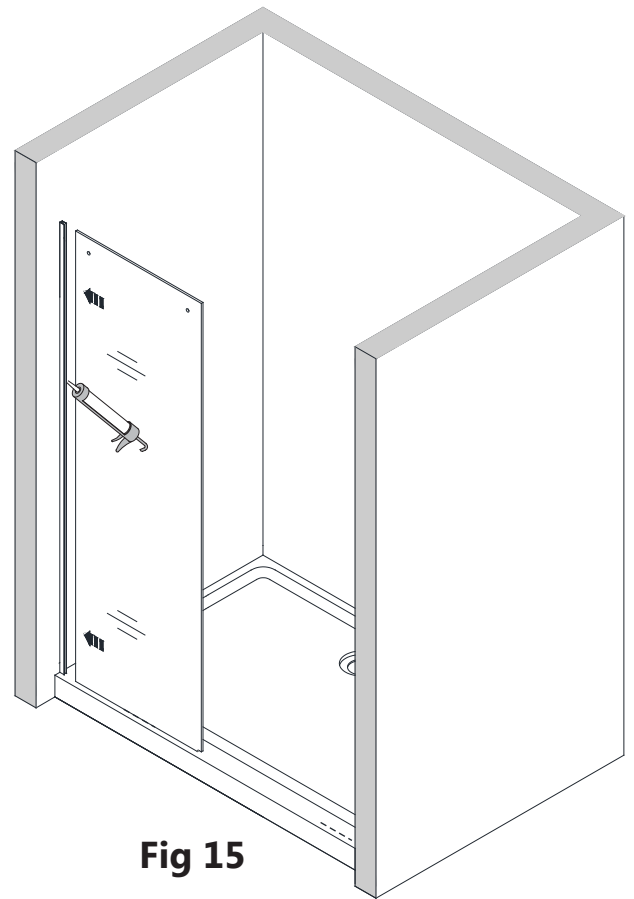
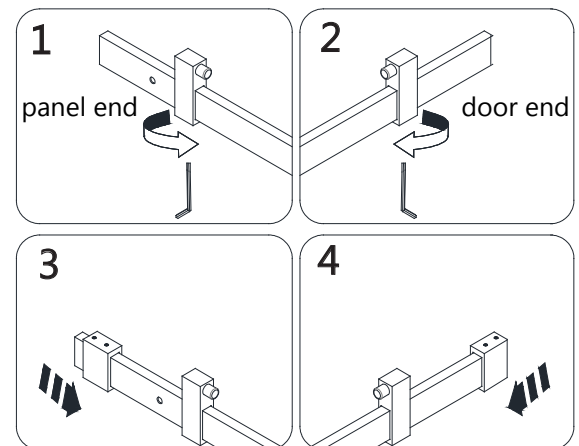


Fig 15

14. Attach the **Stoppers (#05)** and **Guide Rail Brackets (#06)** to both ends of the **Guide Rail (#04)**. (Notice that the top of the guide rail bracket has two set screws)

See Fig 16 for details

NOTE: Be careful not to scratch the guide rail with the brackets and stoppers. Loosen the set screws before installation.



Right hand door installation shown as example

Fig 16

14. Align the panel side **Guide Rail (#04)** with the installed **Guide Rail Wall Bracket (#6a)**. Slide the **Guide Rail Bracket (#6b)** over the **Guide Rail Wall Bracket (#6a)** and tighten the set screws.

See Fig 17 for details

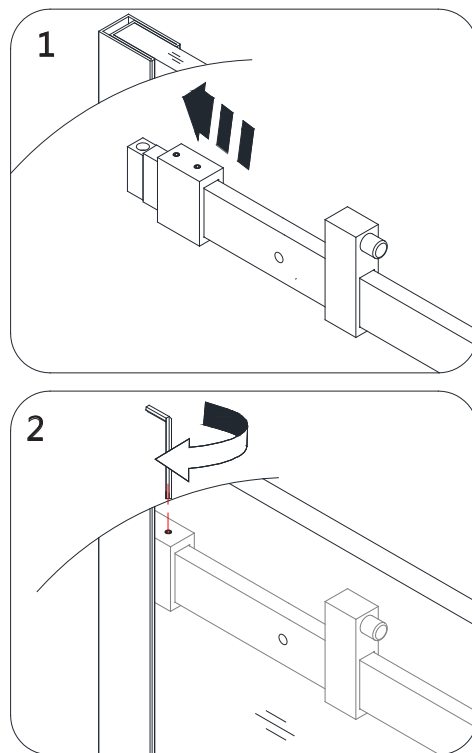


Fig 17

15. Attach the **Stationary Glass (#02)** to the **Guide Rail (#04)** using the **Glass Brackets (#07)**.

See Fig 18 for details

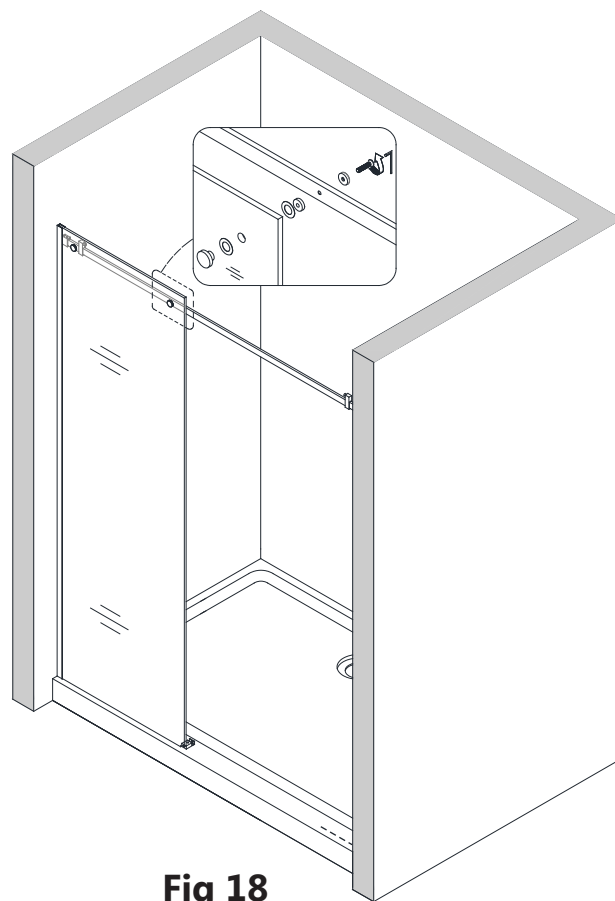
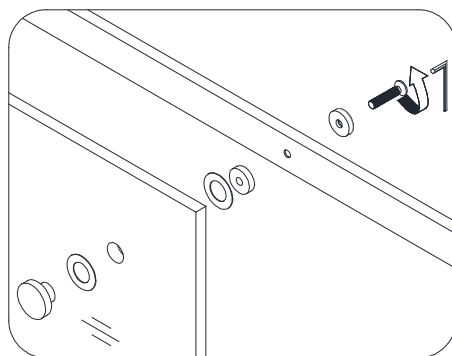


Fig 18

16. Level the **Guide Rail (#04)** across the opening.
If necessary, use the set screws on the **Guide Rail Bracket (#06)** to adjust the level of the **Guide Rail (#04)**.

See Fig 19 & 20 for details

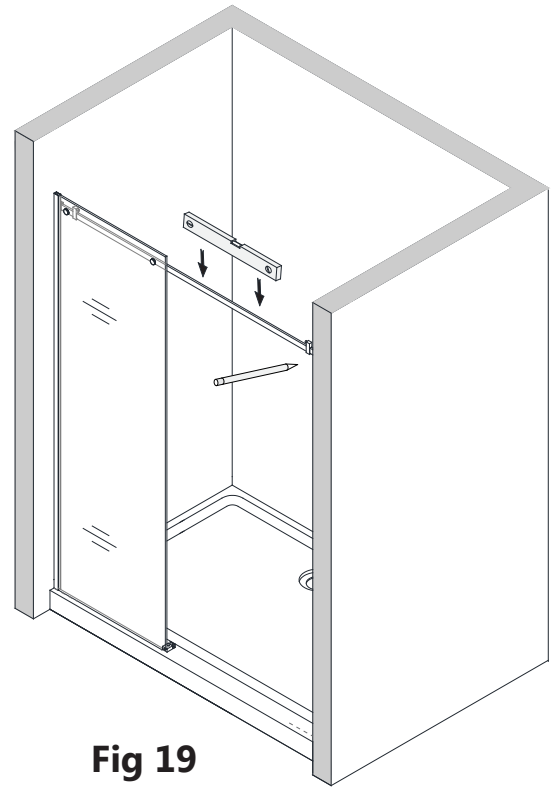
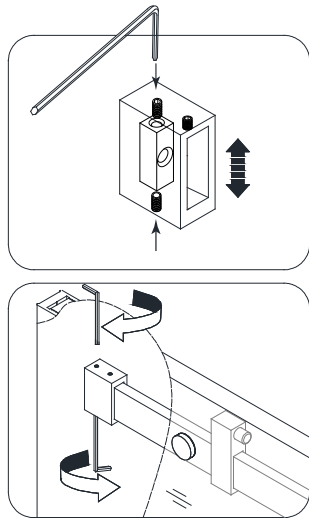


Fig 19

17. Using the mark on the door side of the threshold from Step #3, draw a plumb line up the wall on the door side of the opening. Measure over 1-1/4" into the shower from this line. With the **Guide Rail (#04)** level, mark the position of the **Guide Rail Bracket (#06)** on the wall.

See Fig 20 for details

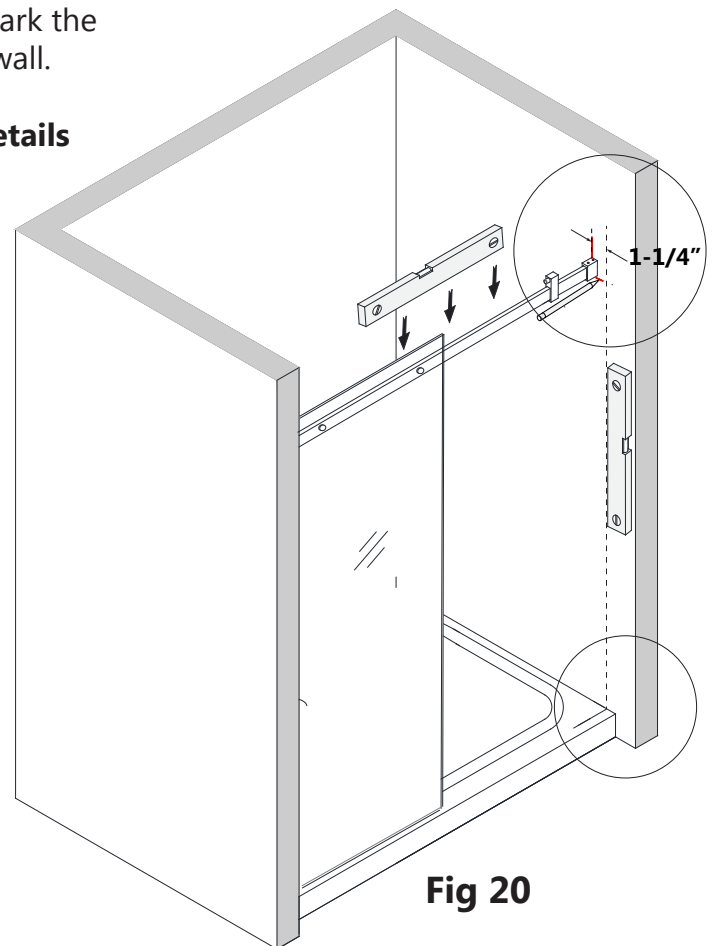
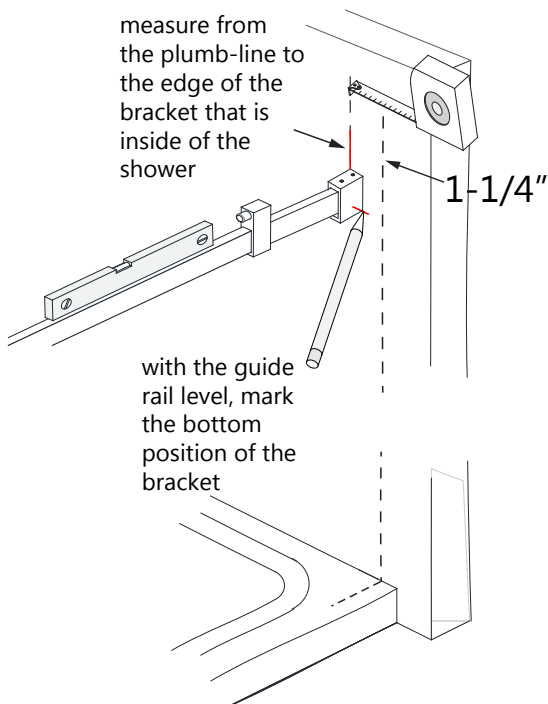


Fig 20

Right hand door installation shown as example

18. Remove the **Guide Rail (#04)** from the **Stationary Panel Glass (#02)**. Remove the **Guide Rail Bracket (#06)** from the **Guide Rail (#04)** and hold it back in position on the wall and mark the anchor hole. Drill a $\text{Ø}5/16''$ anchor hole and insert a **Wall Anchor (#16)**.

Separate the **Guide Rail Bracket (#06)** components (**6a and 6b**). Attach the **Guide Rail Wall Bracket (#06b)** to the wall using one **ST4.2 x 55mm Countersunk screw (#21)**.

See Fig 21 for details

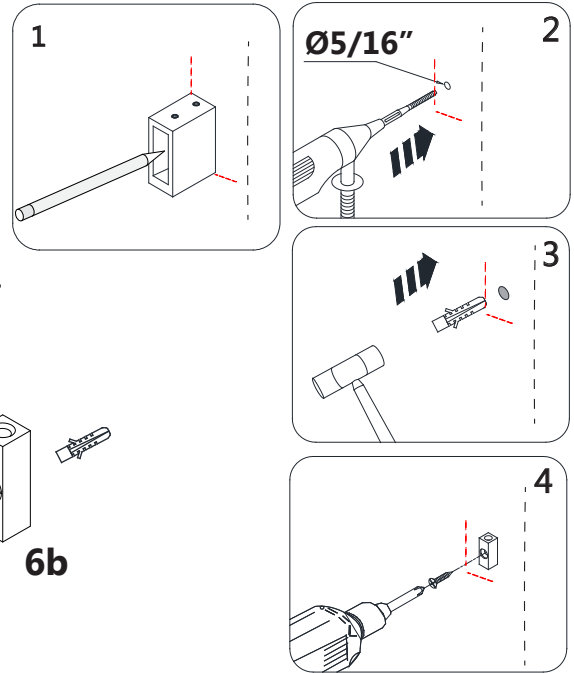
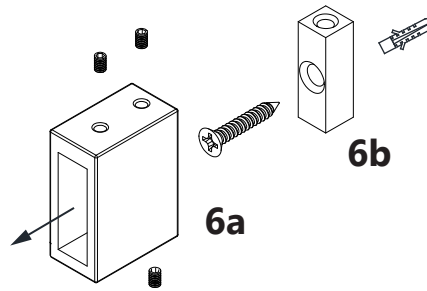


Fig 21

19. Re-attach the **Guide Rail (#04)** to the **Stationary Glass (#02)** and attach the **Guide Rail Brackets (#06)**

See Fig 22 for details

NOTE: Be careful not to scratch the upper rail while sliding the brackets.

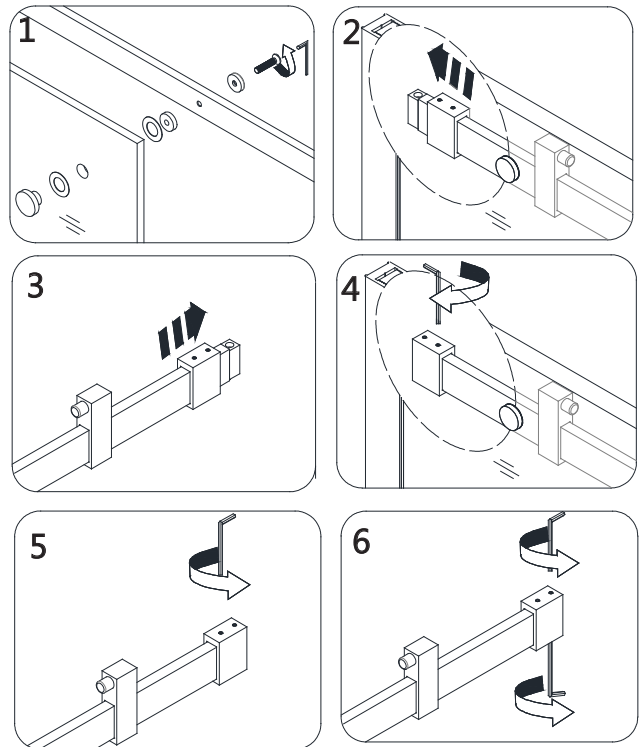
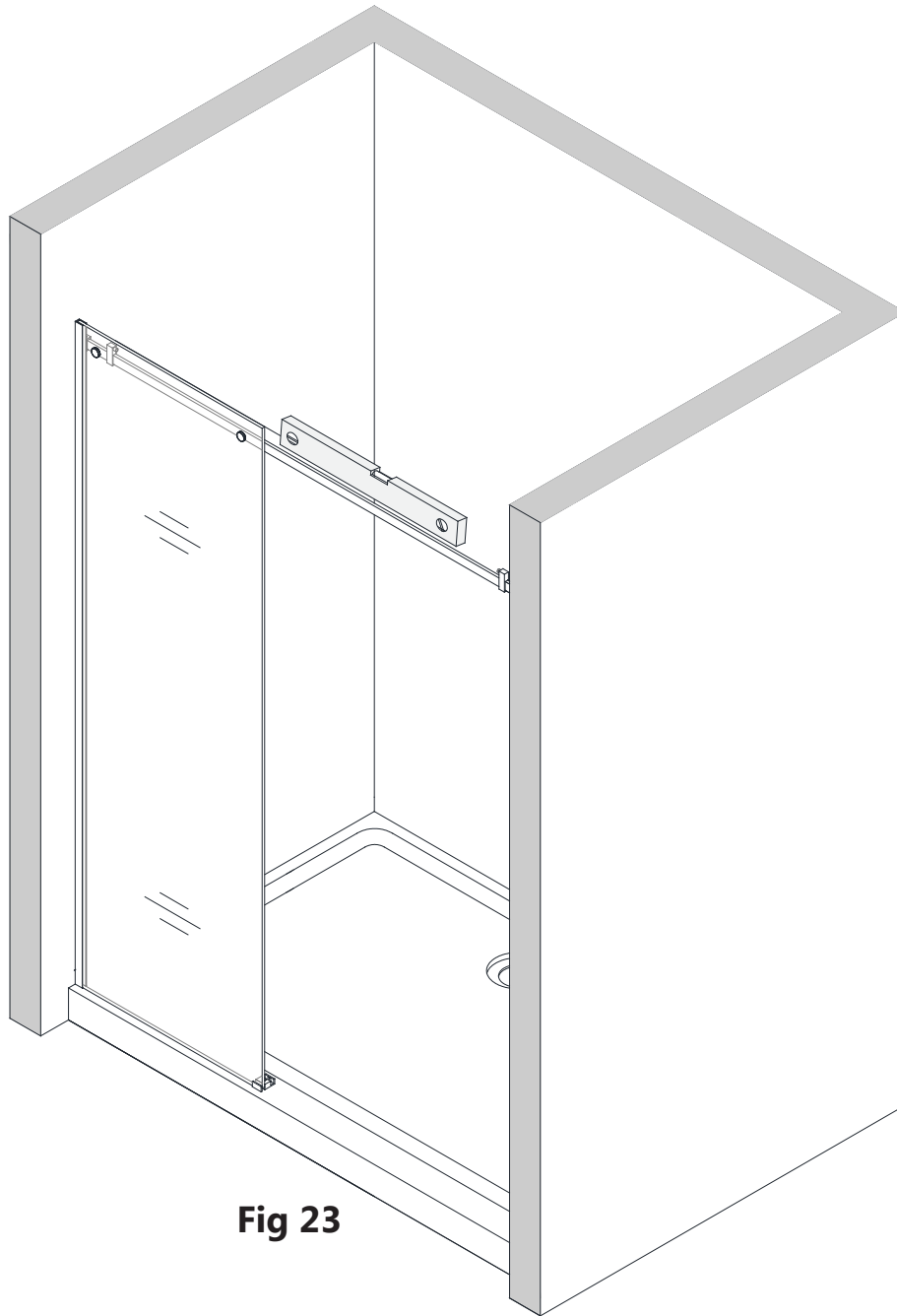


Fig 22

20. Recheck the **Guide Rail (#04)** for level and if necessary, adjust with the set screws on the **Guide Rail Brackets (#06)**.

See Fig 23 for details



21. Measure the distance from the edge of the **Guide Block (#12)** to the wall. This distance will be "**L**".
Cut the **Anti-splash threshold (#11)** to the size of: "**L**".

See Fig 24 for details

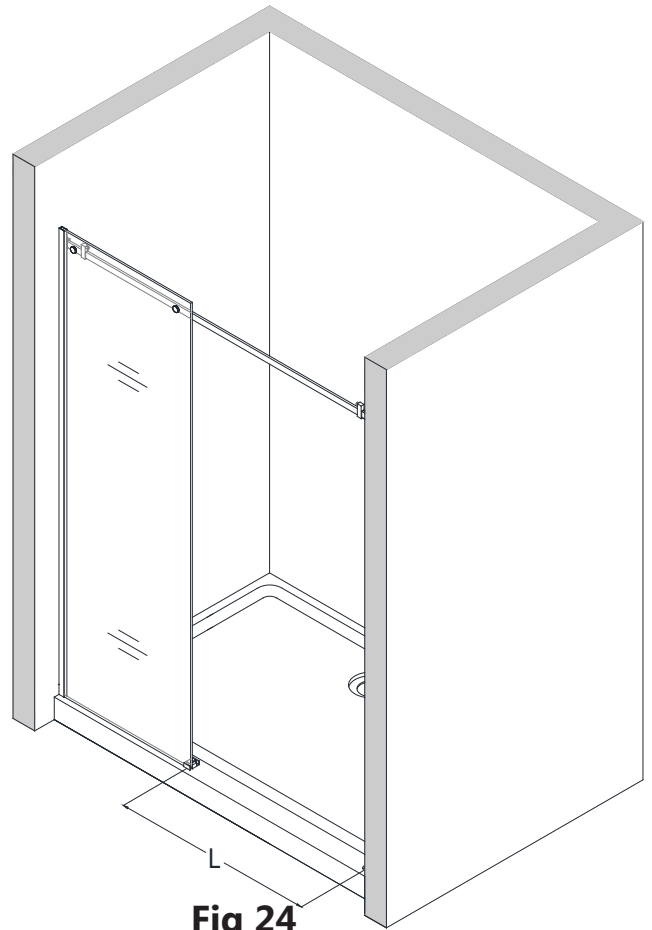
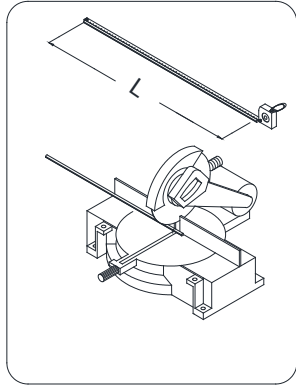
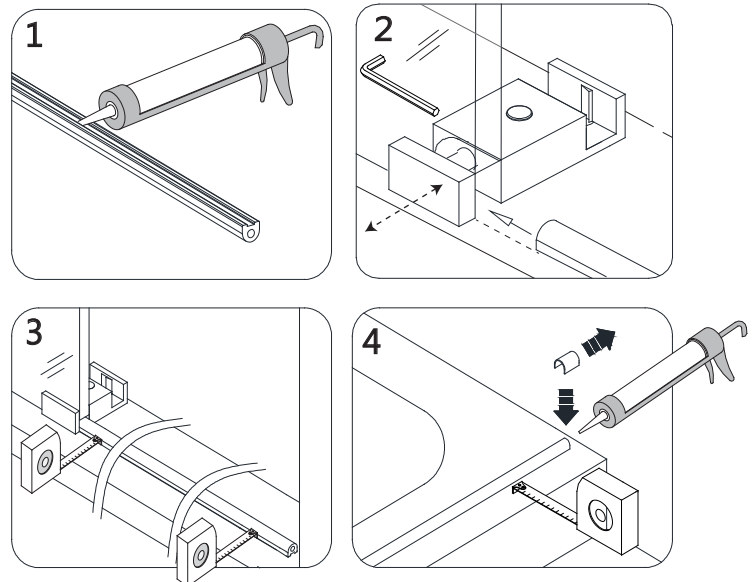


Fig 24

22. Apply silicone to the bottom of the **Anti-Splash Threshold (#11)**. Remove the **face plate** from the **Guide block (#12)**, Insert one end of the **Anti-splash threshold (#11)** fully into the **Guide block (#12)** and replace the **guide block face plate**.

Align the **Anti-splash threshold (#11)** parallel with the front edge of the shower base or threshold.

Cover the other end of the **Anti-splash threshold (#11)** with the **Threshold End Cap (#10)**. Apply a small amount of silicone onto the threshold and the wall to prevent leakage.



Right hand door installation shown as example

Fig 25

See Fig 25 for details

23. Temporarily secure the **Anti-Splash Threshold (#11)** to the threshold with several pieces of painter's tape to hold it in position tight to the threshold until the silicone fully cures.

See Fig 26 for details

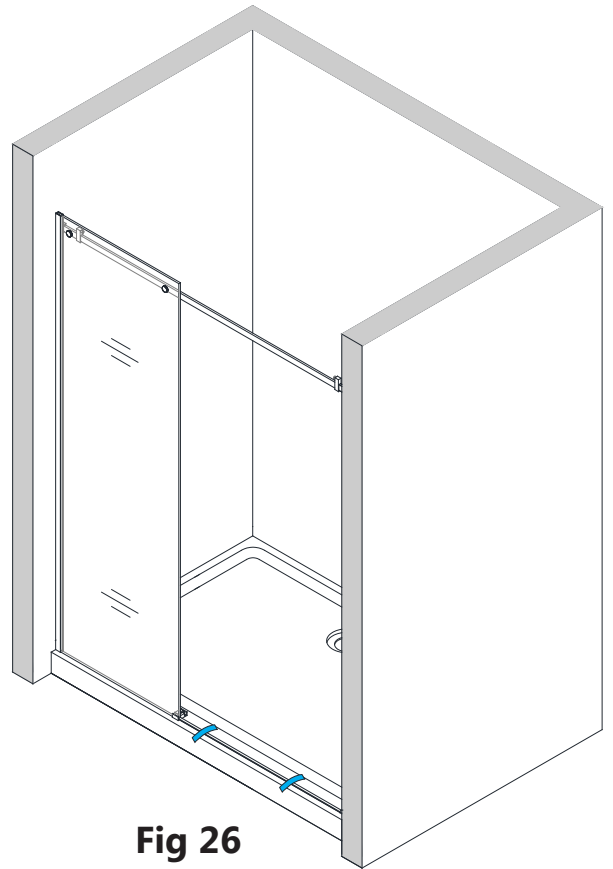


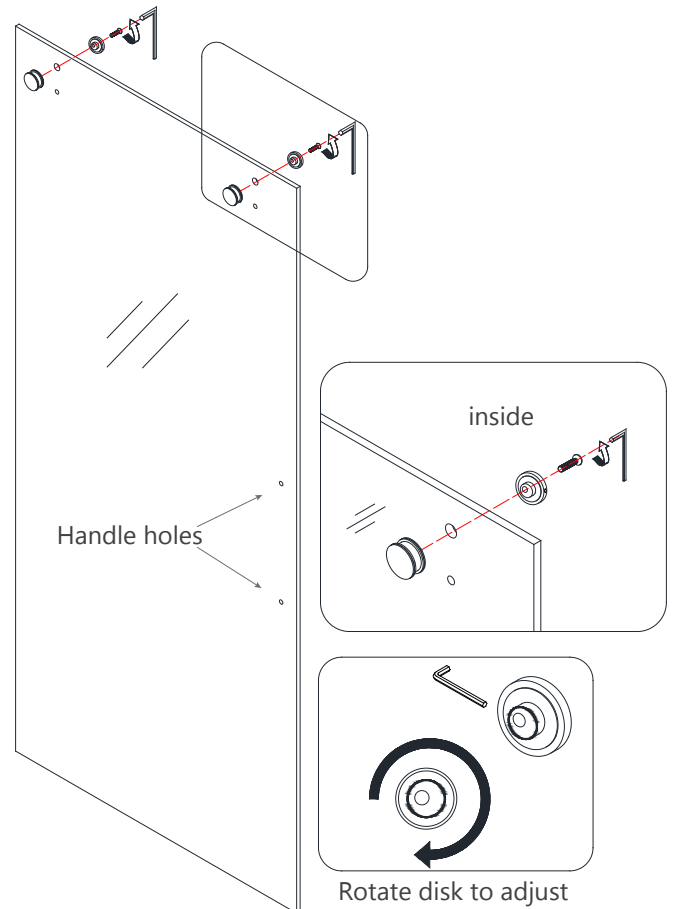
Fig 26

24. Attach the **Rollers (#08)** to the **Door Glass (#03)** with the wheels facing out.
 NOTE: The roller hardware disk can be rotated to tilt the door glass slightly to create a tight seal with the wall. Make any adjustments after all of the vinyl seals are installed.

See Fig 27 for details



NOTE: DO NOT install the handle onto the door glass until instructed to do so. DO NOT attempt to lift the glass using the handle. This could result in damage to the glass and/or serious personal injury. Always use an assistant or a professional grade glass suction cup when handling heavy glass.



Right hand door installation shown as example

Fig 27

25. Align the bottom of the **Door Glass (#03)** with the **Guide Block (#12)** and hang the door from the **Guide Rail (#04)**.

See Fig 28 for details

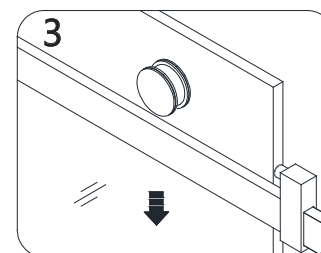
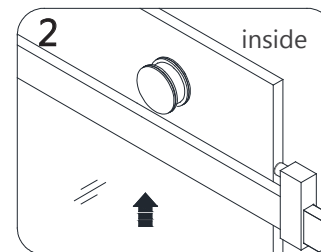
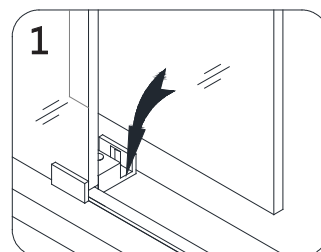
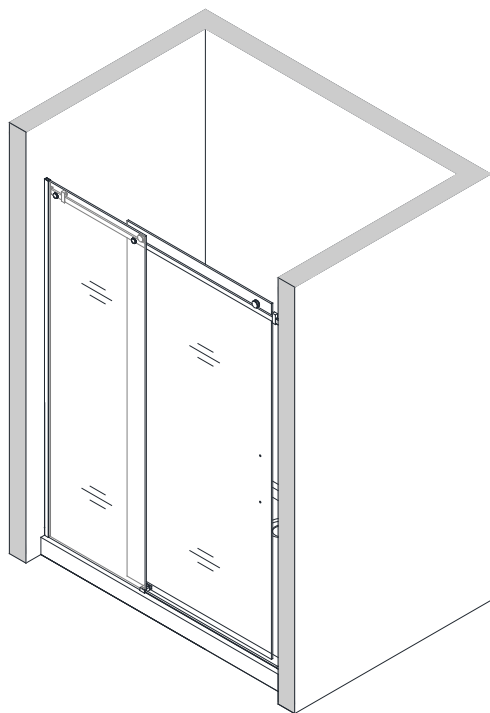


Fig 28

26. Install the **Roller Guards (#09)** onto the **Door Glass (#03)** so that the longer section extends beneath the **Guide Rail (#04)**. Use a small allen wrench to hold the shorter part of the roller guard and rotate the larger section so that there is approximately 1/16" of clearance between the **Roller Guards (#09)** and the **Guide Rail (#04)**.

See Fig 29 for details

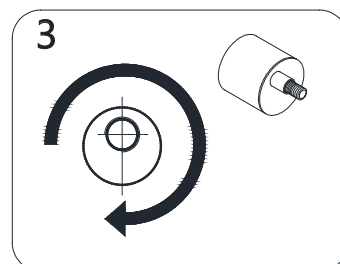
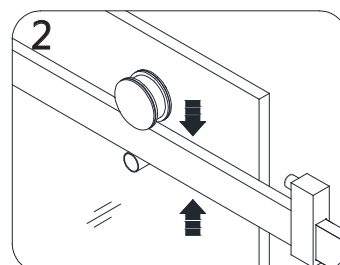
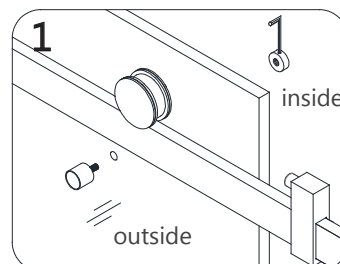
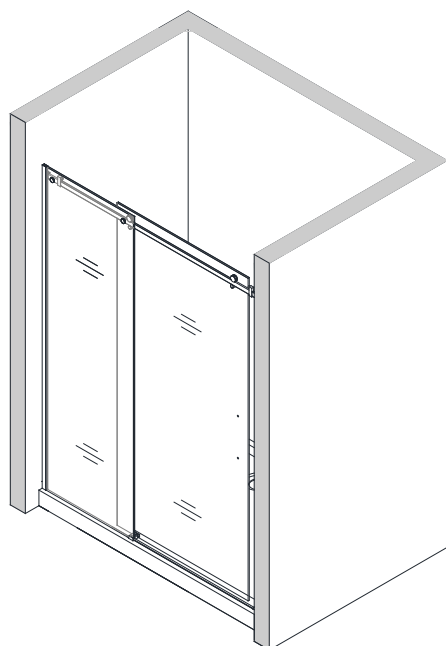


Fig 29

27. Attach the **Handle (#15)** to the **Door Glass (#03)**.

Attach the **Anti-water strips (#13)** to the edge of the **Stationary panel glass (#02)** and **Door glass (#03)**. Attach the **Bumper seal strip (#14)** to the handle side of the door glass.

See Fig 30 for details

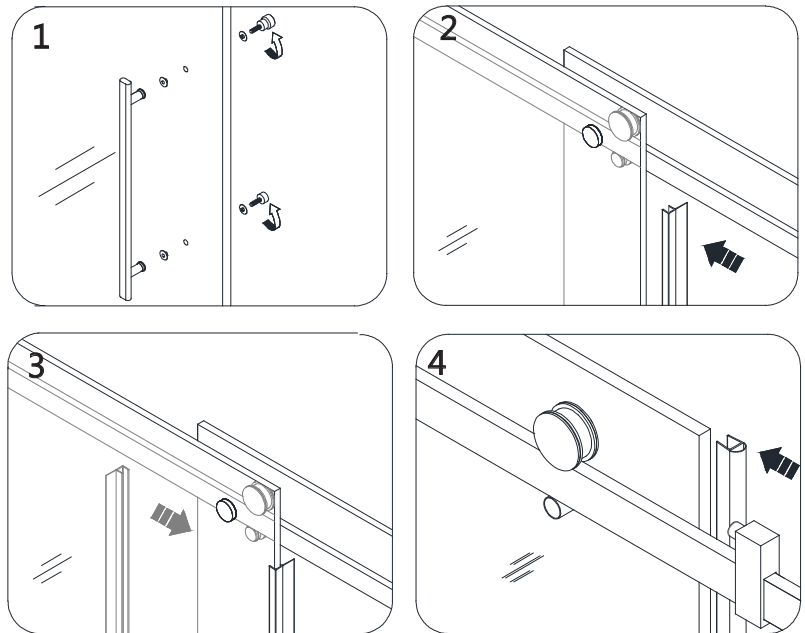
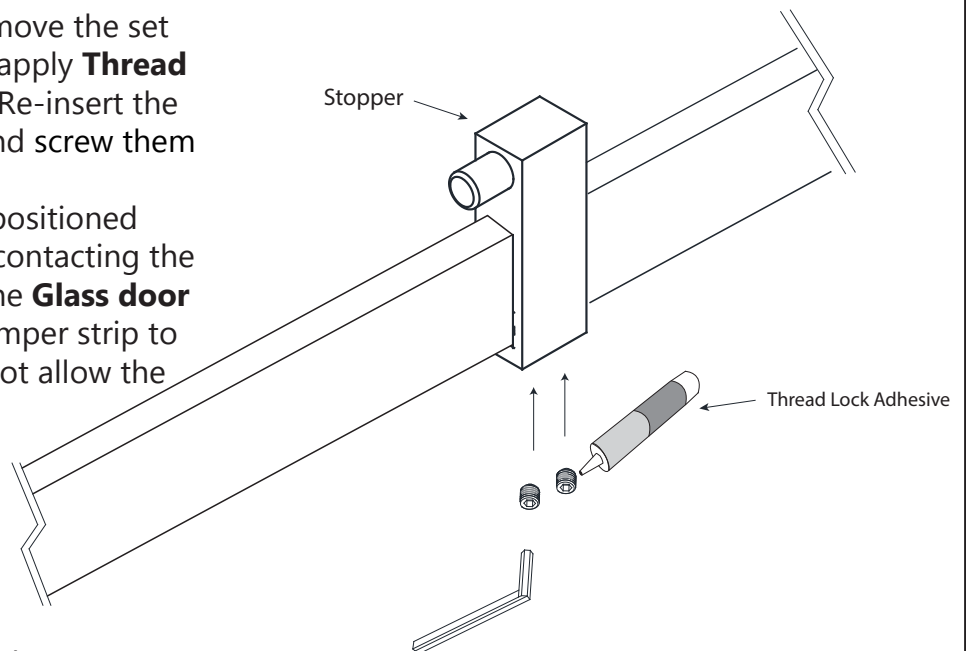


Fig 30

28. Position the **Stoppers (#05)**: Remove the set screws from the **Stoppers (#05)** and apply **Thread Lock Adhesive (#20)** to the threads. Re-insert the set screws into the **Stoppers (#09)** and screw them tightly to the **Guide Rail (#04)**.

NOTE: The **Stoppers (#05)** must be positioned correctly to prevent the handle from contacting the **Stationary glass (#02)** and to stop the **Glass door (#03)** in a position that allows the bumper strip to create a seal with the wall, but does not allow the door glass to bang into the wall.

See Fig 31 for details



NOTE: Cover the shower/tub drain with tape prior to removing the set screws to prevent loss.

To secure the Stopper (#05): Apply the Thread Lock adhesive to the threads of the set screws during the final installation. Fully tighten the set screws with the supplied allen wrench.

Fig 31

29. Apply good quality mildew-resistant silicone along the connection of the stationary glass with the walls and the threshold.
Allow 24 hours for the silicone to fully cure before using the shower.

See Fig 32 for details

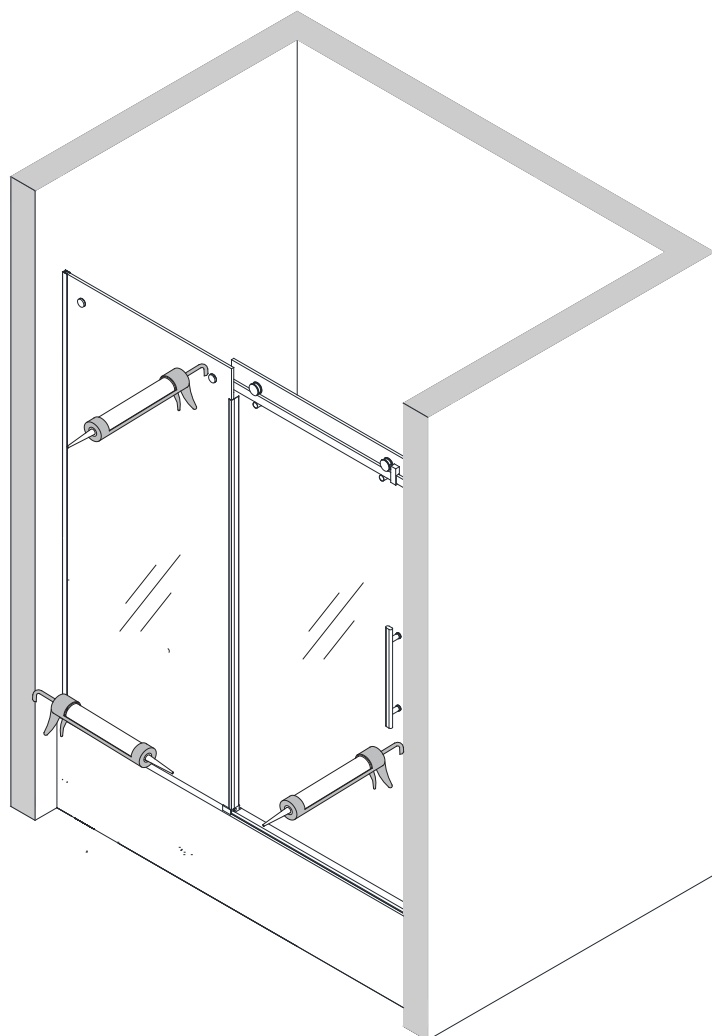
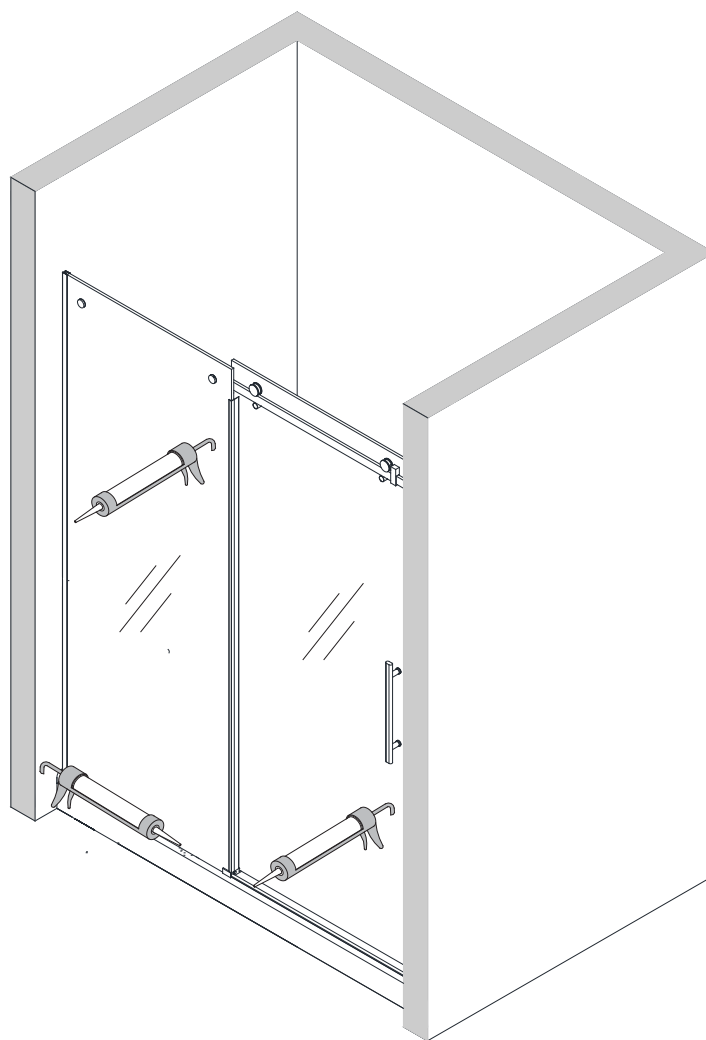


Fig 32

Product Maintenance

BASES and BACKWALLS: To ensure a long life for your acrylic back walls: wipe them off after each use with a soft cloth. To clean the acrylic back walls use non-abrasive sprays or cream based cleaners. Never use abrasive cleansers, metal brushes or scrapers that could scratch or dull the surface.

GLASS: To ensure long lasting life for your glass shower products: wipe them off after each use with a soft cloth. Rinse and wipe off the glass using either a soft cloth or a squeegee to prevent soap buildup and water spots (Hard water can etch the surface of the glass over time if left to dry). To prevent scratching the surface: never use abrasive cleaners and cleaning products that contain scouring agents. Never use bristle brushes or abrasive sponges.

HARDWARE: To ensure a long lasting finish: wipe off the metal parts after each use with a soft cloth. Do not use abrasive cleaners or cleaning products containing ammonia, bleach or acid. If accidentally used, rinse the surface as soon as possible to prevent finish peeling or corrosion. After cleaning the shiny finishes, rinse thoroughly and wipe dry with soft cloth. Clean stainless steel surfaces at least once a week. When applying stainless steel cleaner or polish, work with (not across) the grain. Never use abrasive sponge or cloth, steel wool or wired brushes as these may permanently scratch the surface.



TEL: 866-731-2244
FAX: 866-857-3638
DREAMLINE.COM

For more information on DreamLine® Shower Doors and Enclosure please visit **DreamLine.com**