



# ENCORE / BRAVO

## SHOWER AND TUB DOOR INSTALLATION INSTRUCTIONS

### IMPORTANT

DreamLine® reserves the right to alter, modify or redesign products at any time without prior notice. For the latest up-to-date technical drawings, manuals or any other details please refer to your model's web page on **BathAuthority.com**

### MODEL #s

SHDR-1660580-##

SHDR-1648760-##

SHDR-1654760-##

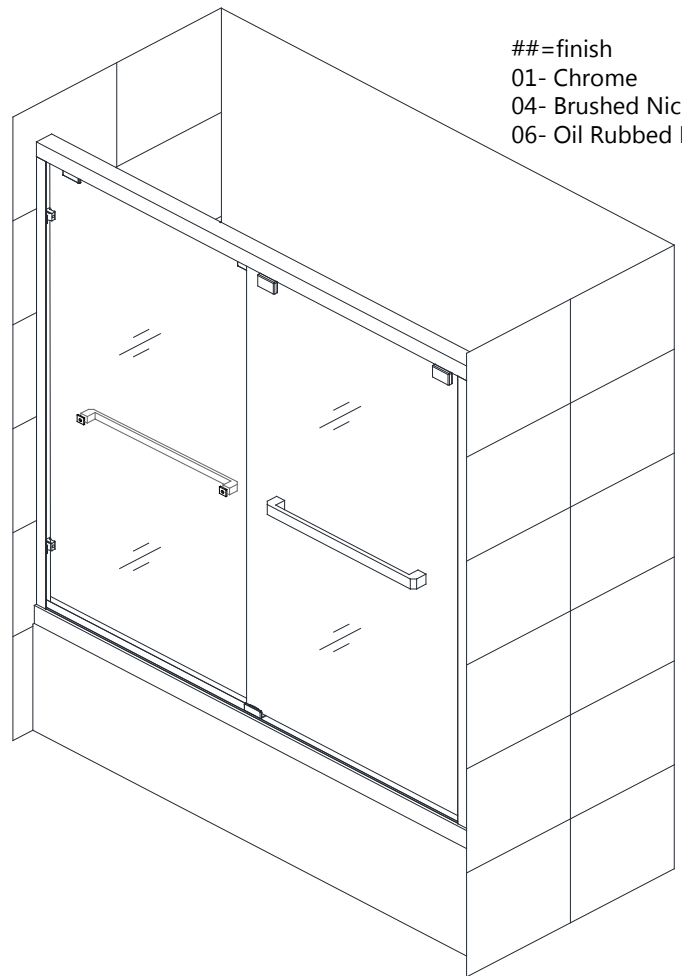
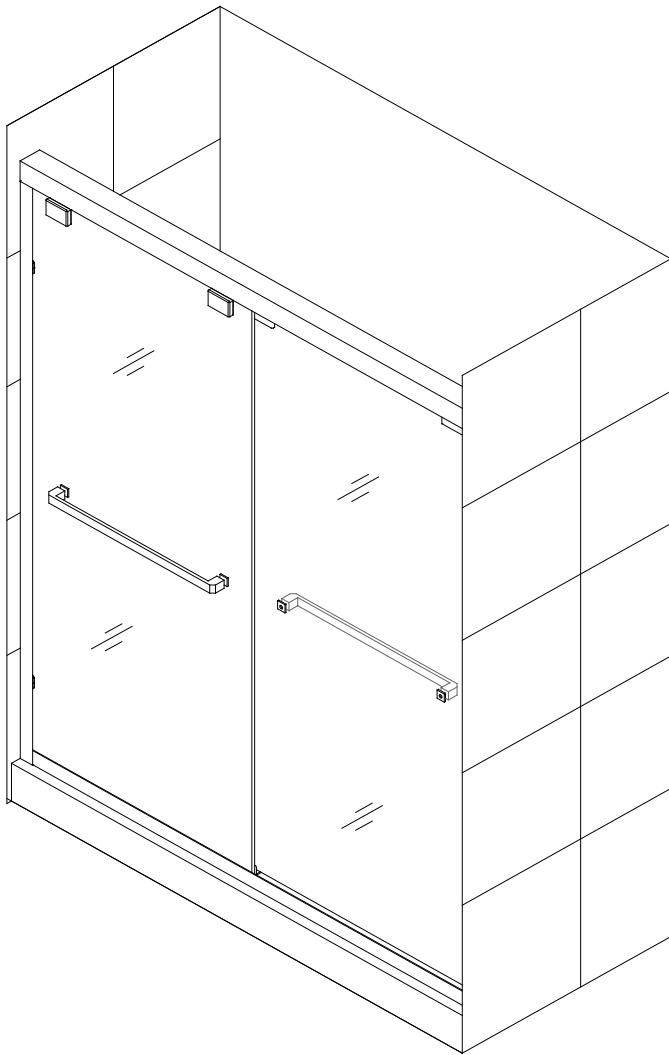
SHDR-1660760-##

##=finish

01- Chrome

04- Brushed Nickel

06- Oil Rubbed Bronze



Please read these instructions carefully before installing. If you have any questions regarding installation, please contact our technical support specialists **Monday through Friday 8:00 AM – 7:00 PM EST at Phone: 1-866-731-2244, Fax: 1-866-857-3638** or e-mail our technical support group at: **Support@DreamLine.com**

For more information about DreamLine® Shower Doors & Tub Doors please visit **DreamLine.com**

## Preparation

1. Prior to installation, examine all boxes and packages for shipping damage and compare the piece count with your packing slip. After opening all boxes and packages read this introduction carefully. Check that all of the needed parts are included in the package by checking off the components on the "Detailed Diagram of Shower Door Components". If the unit has been damaged, has a finishing defect, or has missing parts, please contact our customer support department within **3 business days** of the delivery date. **Please note that DreamLine® will not replace any damaged products or missing parts free of charge after 3 business days or if the product has been installed.** Feel free to contact DreamLine™ if you have any questions, and please provide an order number, job name or other proof of purchase to help us identify your original order.

2. **Please note that you should consult your local building codes with questions on installation compliance standards. Building and plumbing codes may vary by location, and DreamLine® is not responsible for code compliance standards for your project and will not accept any returns.**

3. If this unit is going to be installed in a new construction, please install all of the required plumbing and drainage before installing the shower. **Use a competent and licensed (if required by local code) plumber for all plumbing installation.**

4. Please make sure that prior to beginning the installation, the surfaces are leveled and solid and will be able to support the total weight of the unit. Also make sure the walls are at right angles. Irregular installation surface level, radius corners or improper angle of side walls will result in serious problems for your installation. Please, note that some adjustments and drilling might be necessary during the installation process.

5. Please protect all primary surfaces of the product during installation. Never set your glass down directly onto a tile floor. Leave corner protectors in place until necessary to remove them. Always use a piece of wood or cardboard to protect the bottom edge and corners of the glass prior to and during installation.

6. **This unit must be installed upon a finished threshold and against finished walls.**

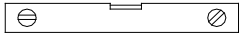
7. **This model can accommodate up to 3/8" per wall profile for out-of-plumb conditions. Verify that your walls are plumb before proceeding with the installation.**

8. **This model requires that you drill into the threshold for proper installation.**

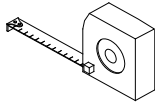
9. **This model requires a minimum 2-1/4" of flat threshold space for installation.**

**NOTE:** This manual will describe the shower door installation. Please follow the same sequence of installation steps for the tub door installation.

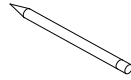
# Tools



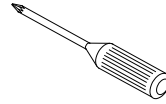
Level



Tape Measure



Pencil



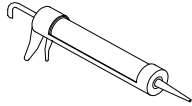
Phillips Screwdriver



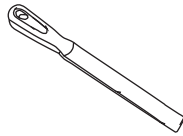
Drill bit (Ø=5/16")



Drill bit (Ø=1/8")



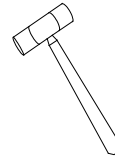
Silicone



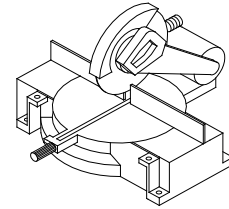
Metal File



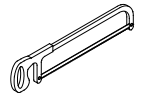
Power Drill



Hammer



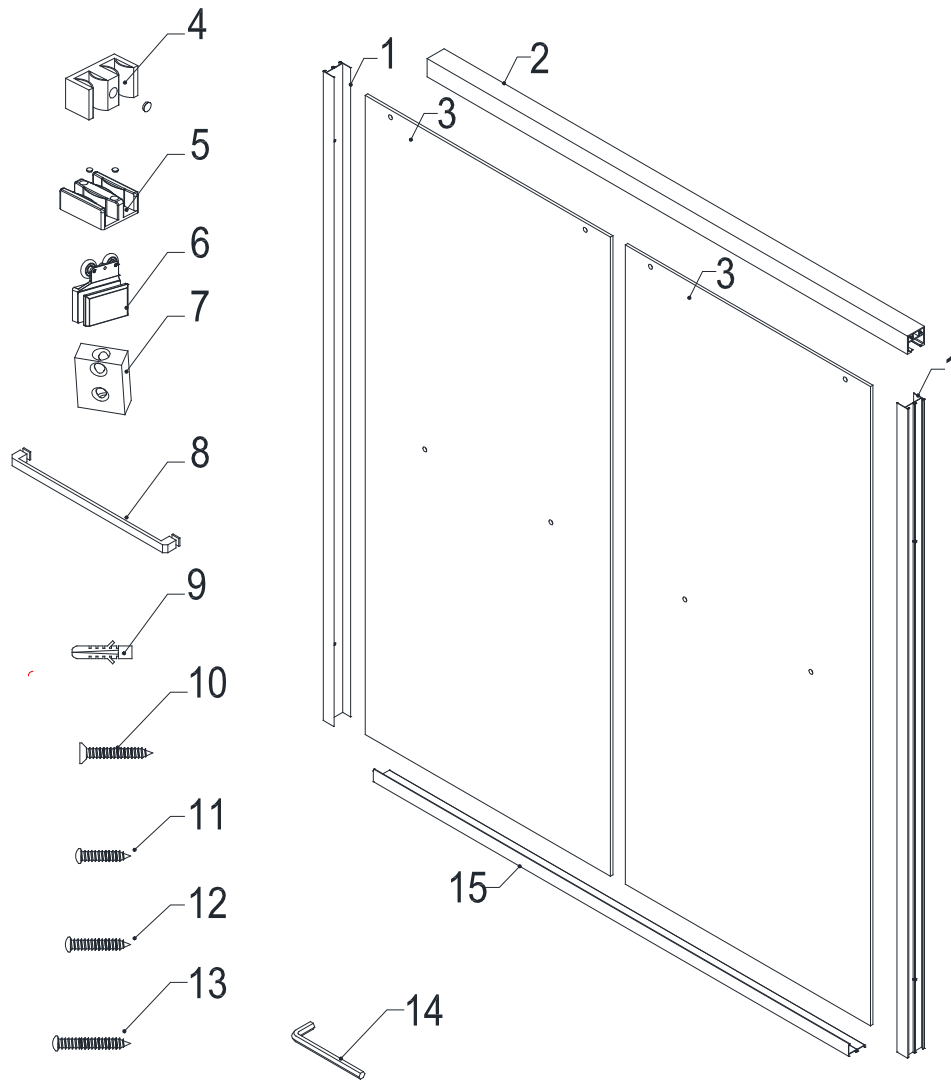
Miter saw or Hacksaw



**NOTE:** Unpack your unit carefully and inspect it. Lay it out and identify all parts using the detailed diagram and packing list in your manual as a reference. Before discarding the carton, check for small hardware bags that may have fallen to the bottom of the box. If any parts are damaged or missing, please contact DreamLine™ for replacement. The shipping boxes may contain extra parts not used in your model configuration.

NOTE: Retain these installation instructions for future reference.

# Detailed Diagram of shower door components



## Parts List

#	ITEM	Qty	#	ITEM	Qty
1	Wall Profile	2pcs	9	Ø8 Plastic Wall Anchor	6pcs
2	Upper Guide Rail	1pc	10	Countersunk Head Screw ST4.2×40	4pcs
3	Door Glass	2pcs	11	Truss Head Self-Tapping Screw 4.2x10	4pcs
4	Wall Profile Bumpers	4pcs	12	Truss Head Self-Tapping Screw 4.2x16	2pcs
5	Guide Block	1pc	13	Truss Head Self-Tapping Screw 4.2x30	2pcs
6	Roller Assembly	4pcs	14	Allen Wrench 3mm	1pc
7	Upper Guide Rail Connector	2pcs	15	Bottom Guide Rail	1pc
8	Towel Bar	2pcs			

## Boxes

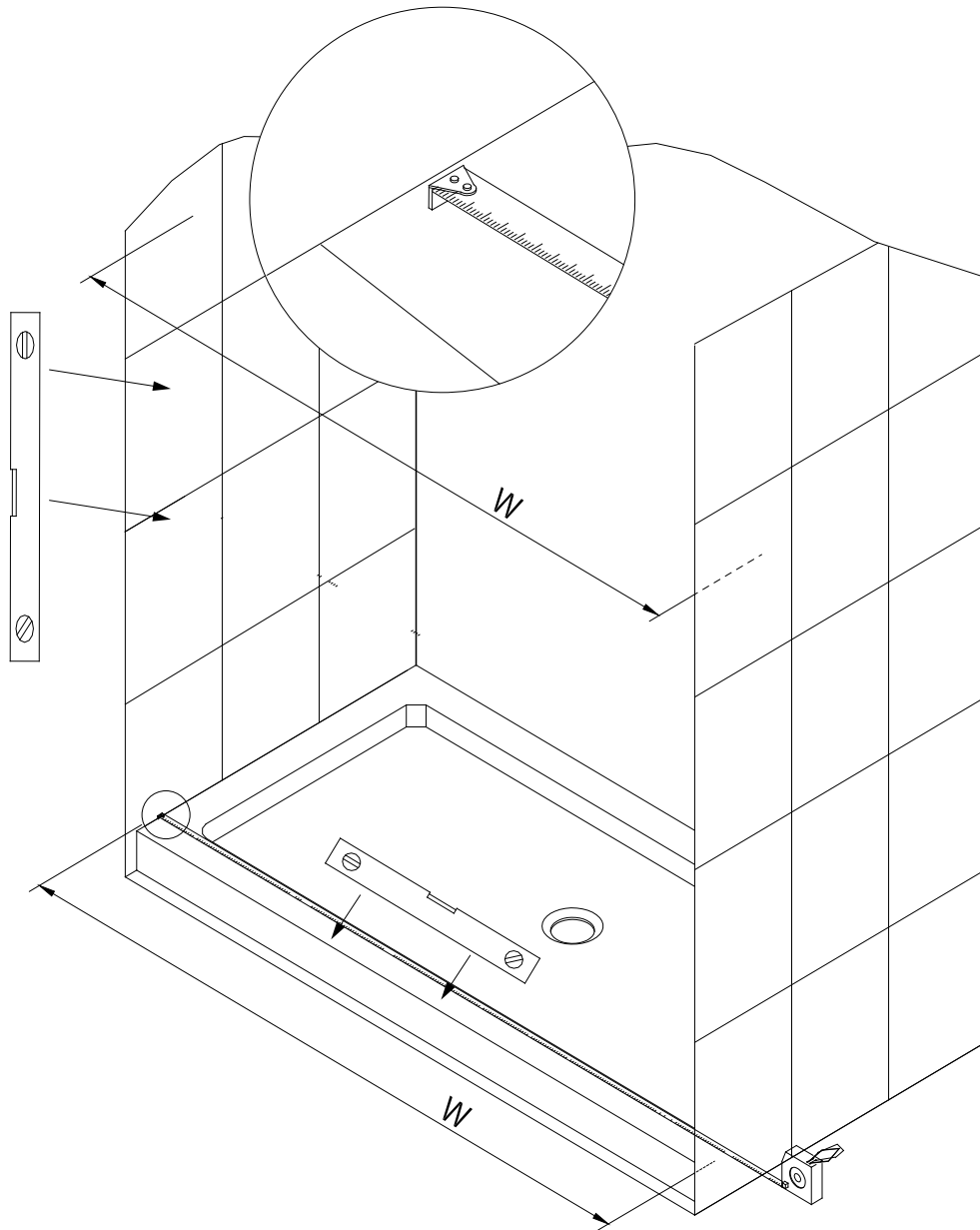
#	Box	Box Contents by part#
1	Glass Box (GL)	3
2	Aluminum Acc Box (AC)	1. 2. 4. 5. 6. 7. 8. 9. 10. 11. 12.13
3	Spare Acc parts bag	12. 13 one each; 9. 10. 11 three each.

# Installation steps

**1.** Measure the finished opening width at the bottom and at the top (at the model height: 58" for tub or 76" for shower). Use these dimensions as "**W**" in step #2.

Also check the threshold for level and the walls for plumb.

See Fig 1 for details



**Fig 1**

2. Using a miter saw or hack saw, cut the **Upper Guide Rail (#02)**  $1/16''$  shorter than the top dimension **W** from step #1. ( $W - 1/16'' = \text{finished cut length } L$ ) ( see Fig 2a)

The **Bottom Guide Rail (#15)** needs to be cut equally from both ends to keep the center guide holes centered. (The **Bottom Guide Rail (#15)** has been precut for the model size. See Table A). Using a miter saw or hack saw, cut the **Bottom Guide Rail (#15)**  $3/4''$  shorter than the bottom dimension **W** from step #1. ( $W - 3/4'' = \text{finished cut length } L$ ) (see Fig 2b)

See Fig 2a & 2b for details

**Note:** The **Bottom guide rail (#15)** needs to be shorter than the **Upper guide rail (#02)** because it fits between the wall profiles, while the upper guide rail fits wall-to-wall.

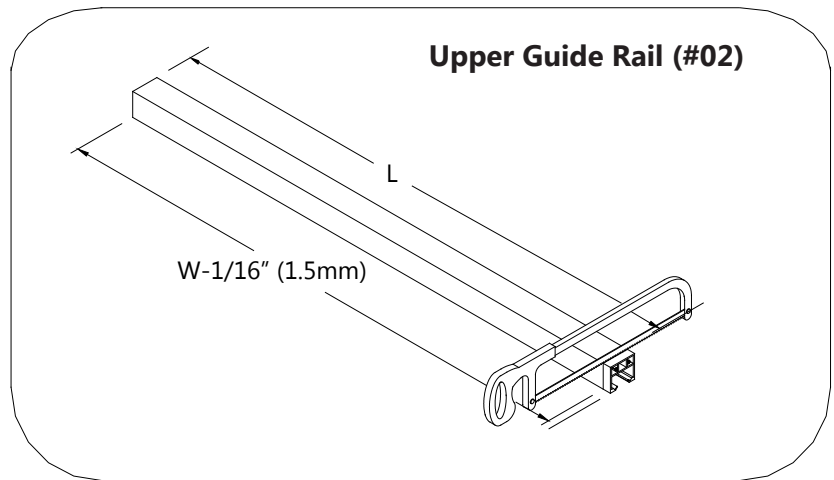


Fig 2a

Table A

Model Size	Precut Bottom Rail Length
60" x 76"	59-3/8" (1508mm)
48" x 76"	47-3/8" (1203mm)
54" x 76"	53-3/8" (1356mm)
60" x 58"	59-3/8" (1508mm)

**For Example.** If the finished opening **W** = 59", then  $59'' - 3/4'' = 58-1/4''$  finished cut length "**L**" will be  $58-1/4''$ . The 60" model Bottom rail length =  $59-3/8'' - 58-1/4'' = 1-1/8''$   
 $1-1/8''$  divided by 2 =  $9/16''$   
 Cut  $9/16''$  off from each end to a finished cut length of  $58-1/4''$ .

**Note that this is an example and the actual cut-off amount will vary based on the actual finished opening dimension.**

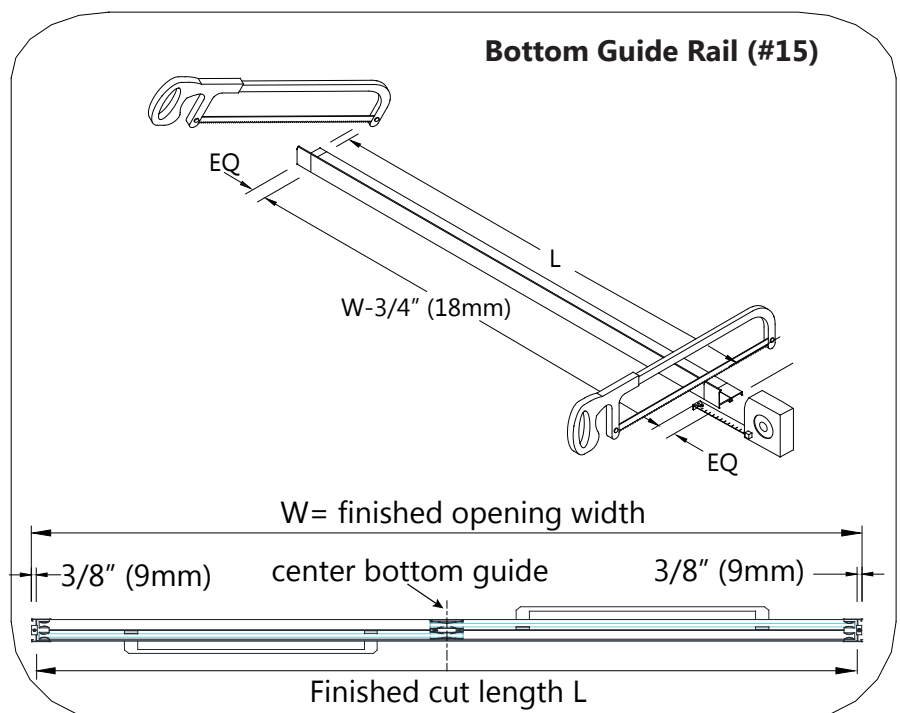
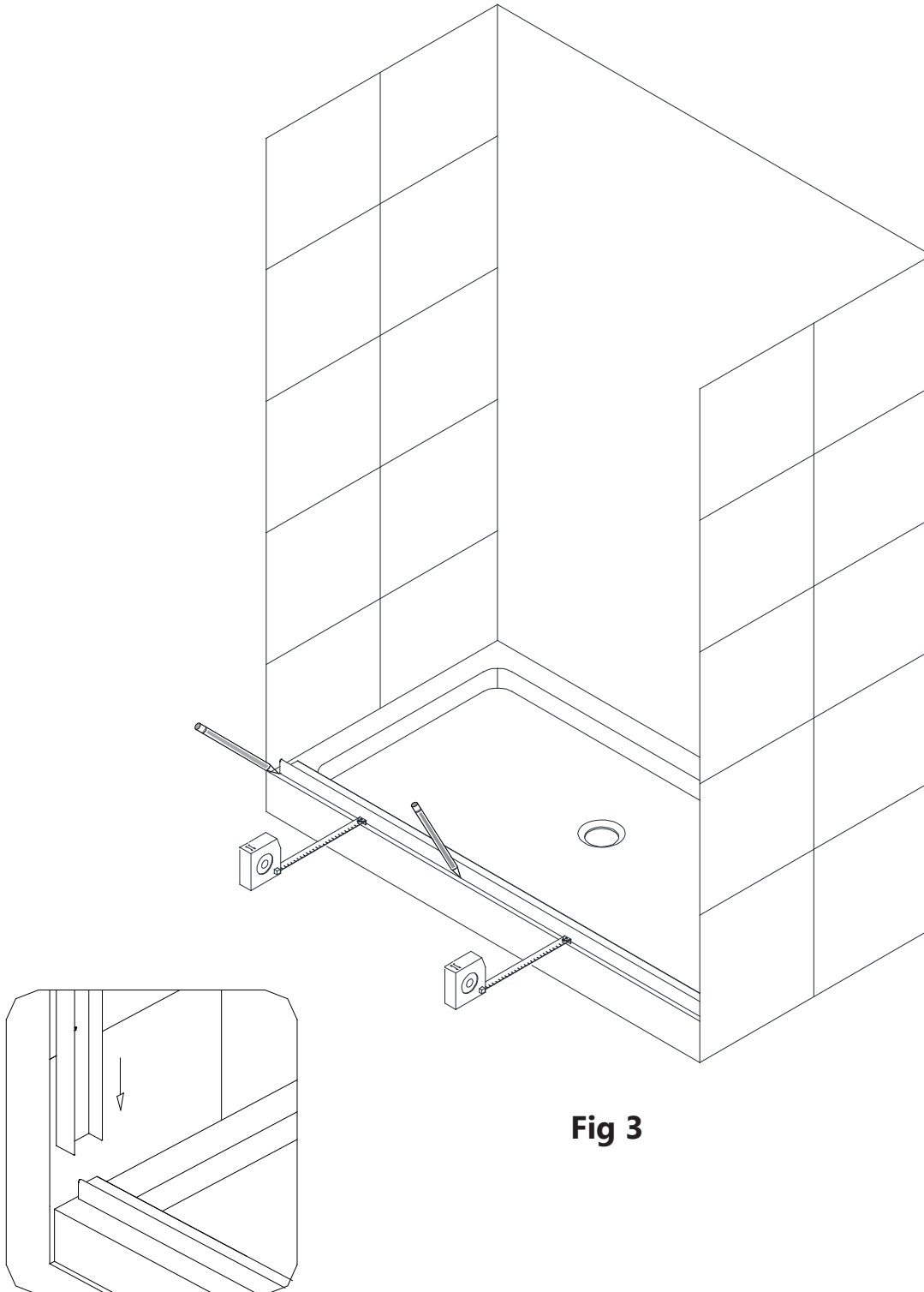


Fig 2b

**3.** Place the **Bottom Guide Rail (#15)** onto the threshold in the desired position. Use a tape measure to align it evenly with the front edge of the threshold. Use the left and right **Wall profiles (#01)** to center the **Bottom Guide Rail (#15)** on the threshold to maintain the proper spacing and mark its position on the threshold.

**See Fig 3 for details**



**Fig 3**

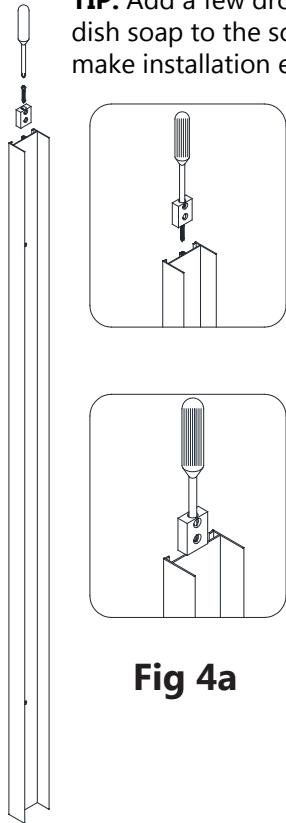
**4.** Attach the **Upper guide rail connectors (#07)** to the top of the **Wall Profiles (#01)** using the **ST4.2 x 30 Truss head screws(#13)**. (Fig 4a)

Position one **Wall Profile (#01)** against the wall onto the **Bottom Guide Rail (#15)** . Check for plumb with a level and mark the position. Mark the holes in the **Upper Guide Rail Connector (#07)** for drilling. (Fig 4b)

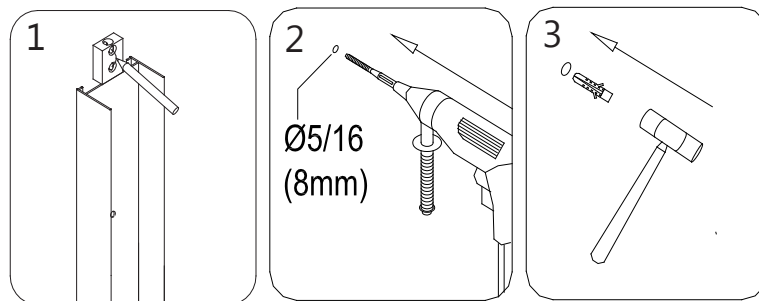
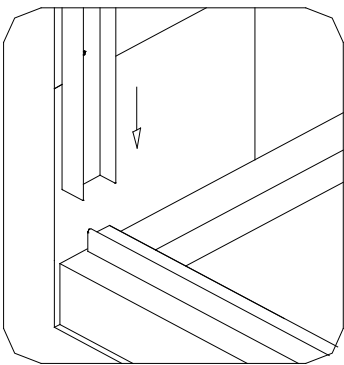
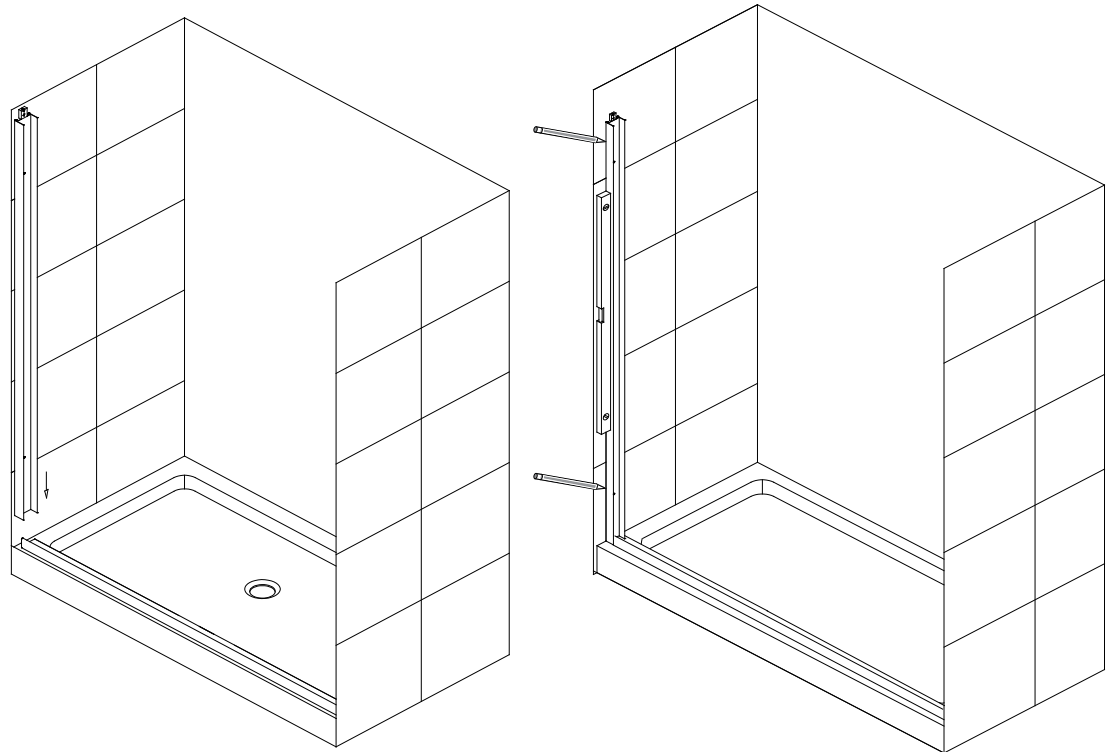
Remove the wall profile and drill **Ø 5/16"** holes and insert the **Wall anchors (#09)**.

**See Fig 4a and 4b for details**

**TIP:** Add a few drops of dish soap to the screws to make installation easier.



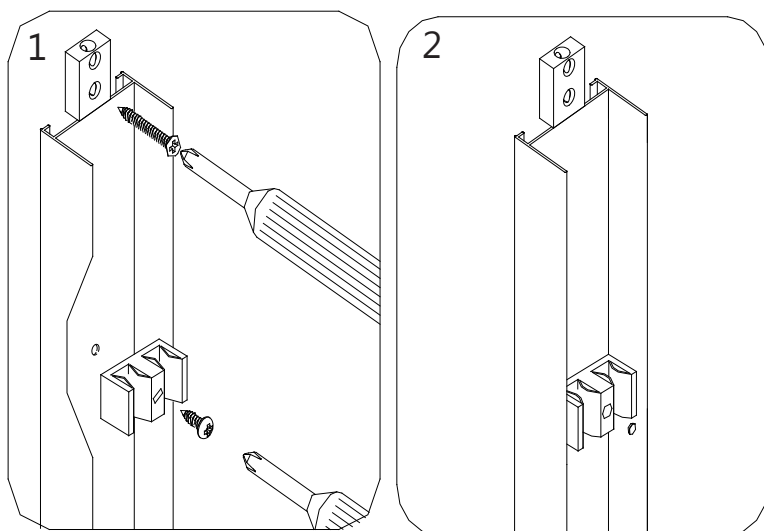
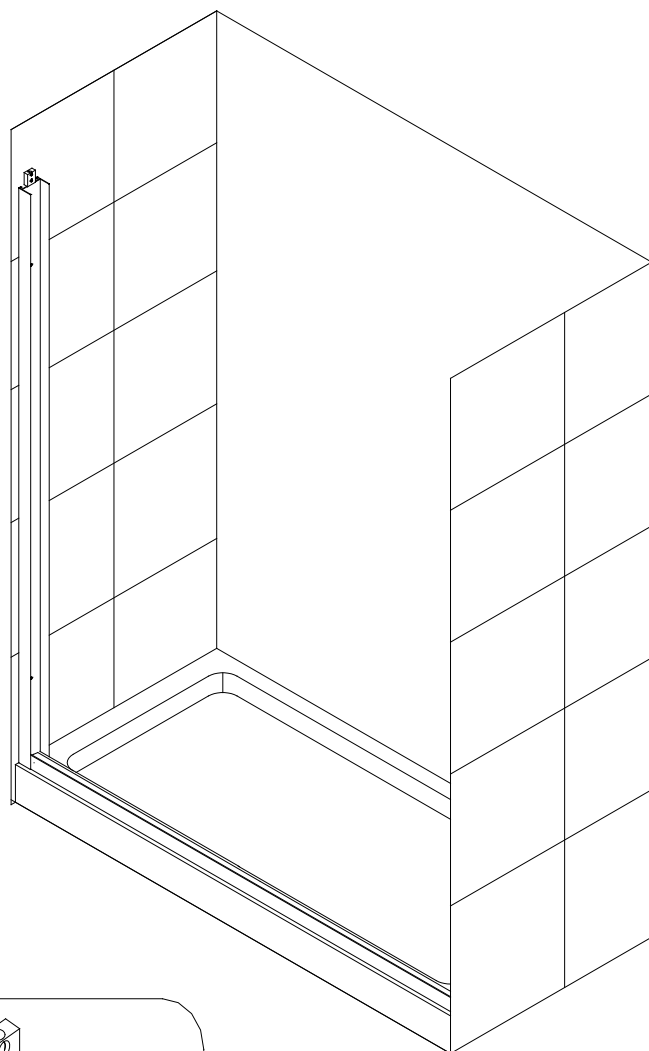
**Fig 4a**



**Fig 4b**

**5.** Apply silicone to the back of the **Wall Profile (#01)** and place it back into position on the wall. Attach the **Upper Guide Rail Connector (#07)** using two each of the **ST4.2 x 40 Countersunk Flathead Screws (#10)**. Attach two of the **Wall Profile Bumpers (#04)** using the **ST4.2 x 10 screws (#11)** and cover the holes with the decorative caps.

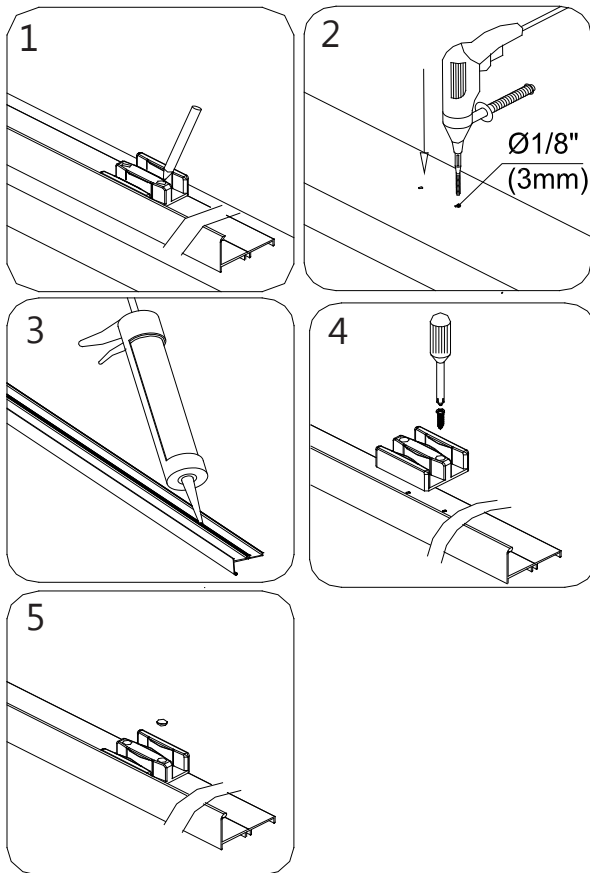
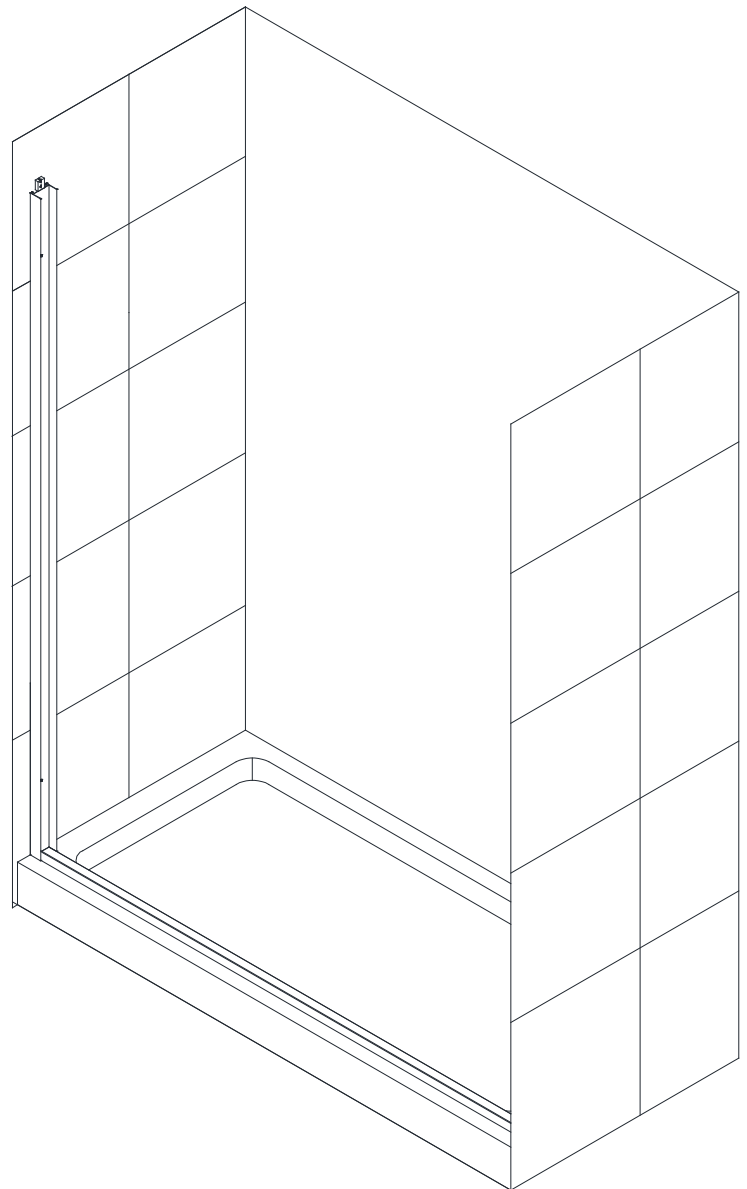
**See Fig 5 for details**



**Fig 5**

**6.** Position the **Bottom guide rail (#15)** on the threshold and mark the threshold through the center guide holes for drilling.  
Remove the **Bottom guide rail (#15)** and drill **Ø1/8"** holes into the threshold.  
Apply silicone to the bottom surface of the **Bottom guide rail (#15)** and place it back into position on the threshold.  
Attach the **Guide block (#05)** and **Bottom guide rail (#15)** to the threshold using two of the **ST4.2 x16 screws (#12)**. Cover the screw holes with the decorative caps.

**See Fig 6 for details**

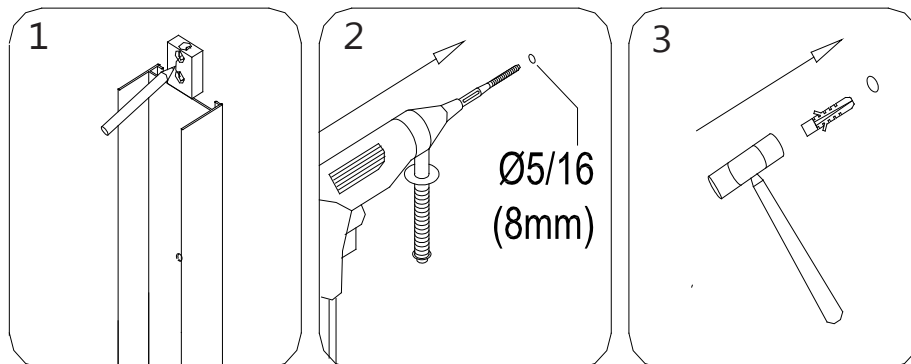
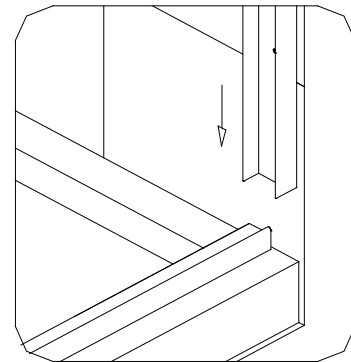
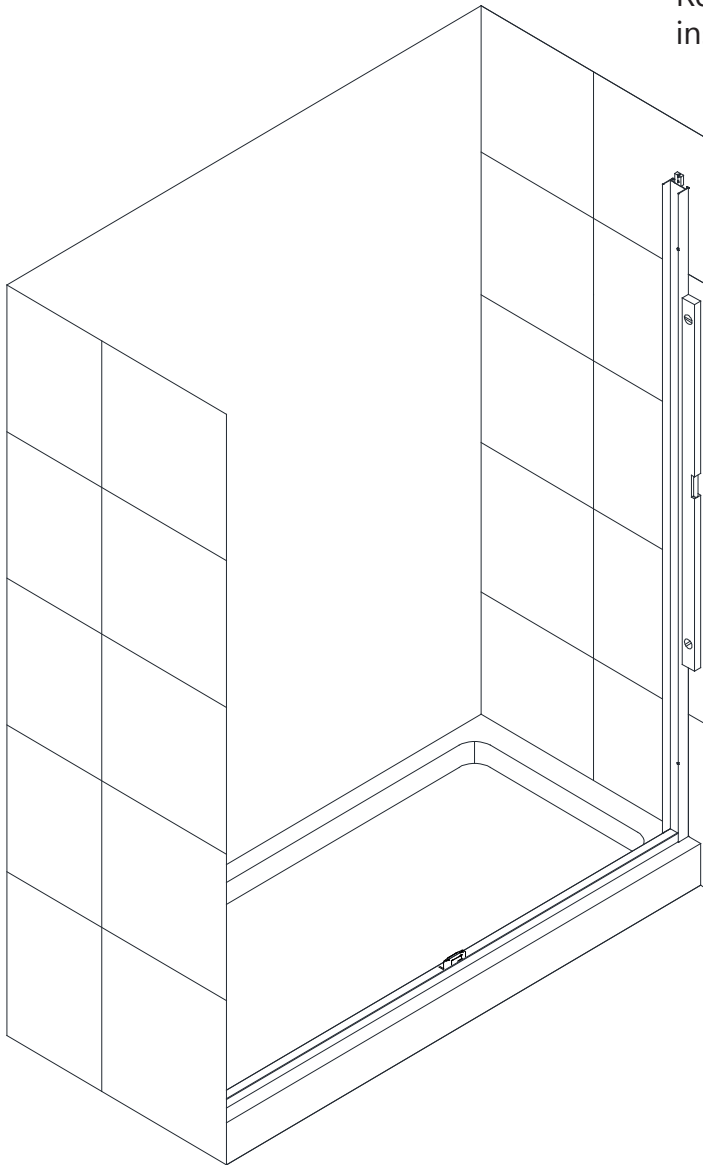


**Fig 6**

**7.** Position the remaining **Wall Profile (#01)** against the wall onto the **Bottom Guide Rail (#15)**. Check for plumb with a level and mark the position. Mark the holes in the **Upper Guide rail connector (#07)** for drilling. (Fig 7.1)

Remove the wall profile and drill  $\text{Ø } 5/16''$  holes and insert the **Wall Anchors (#09)**.

**See Fig 7 for details**

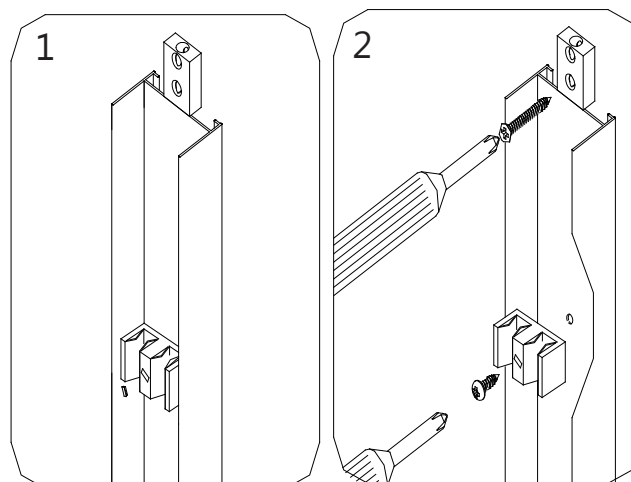
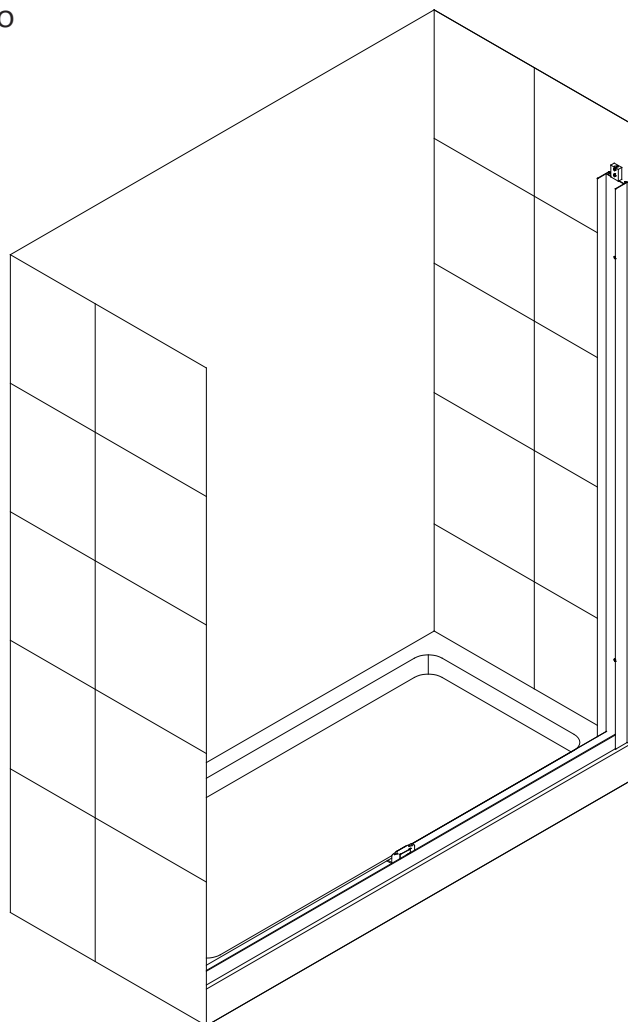


**Fig 7**

**8.** Apply silicone to the back of the **Wall Profile (#01)** and place it back into position on the wall. Attach the **Upper Guide rail connector (#07)** to the wall using two each of the **ST4.2 x 40 Countersunk flathead screws (#10)**.

Attach two of the **Wall Profile bumpers (#04)** using the **ST4.2 x 10 screws (#11)** and cover the holes with the decorative caps.

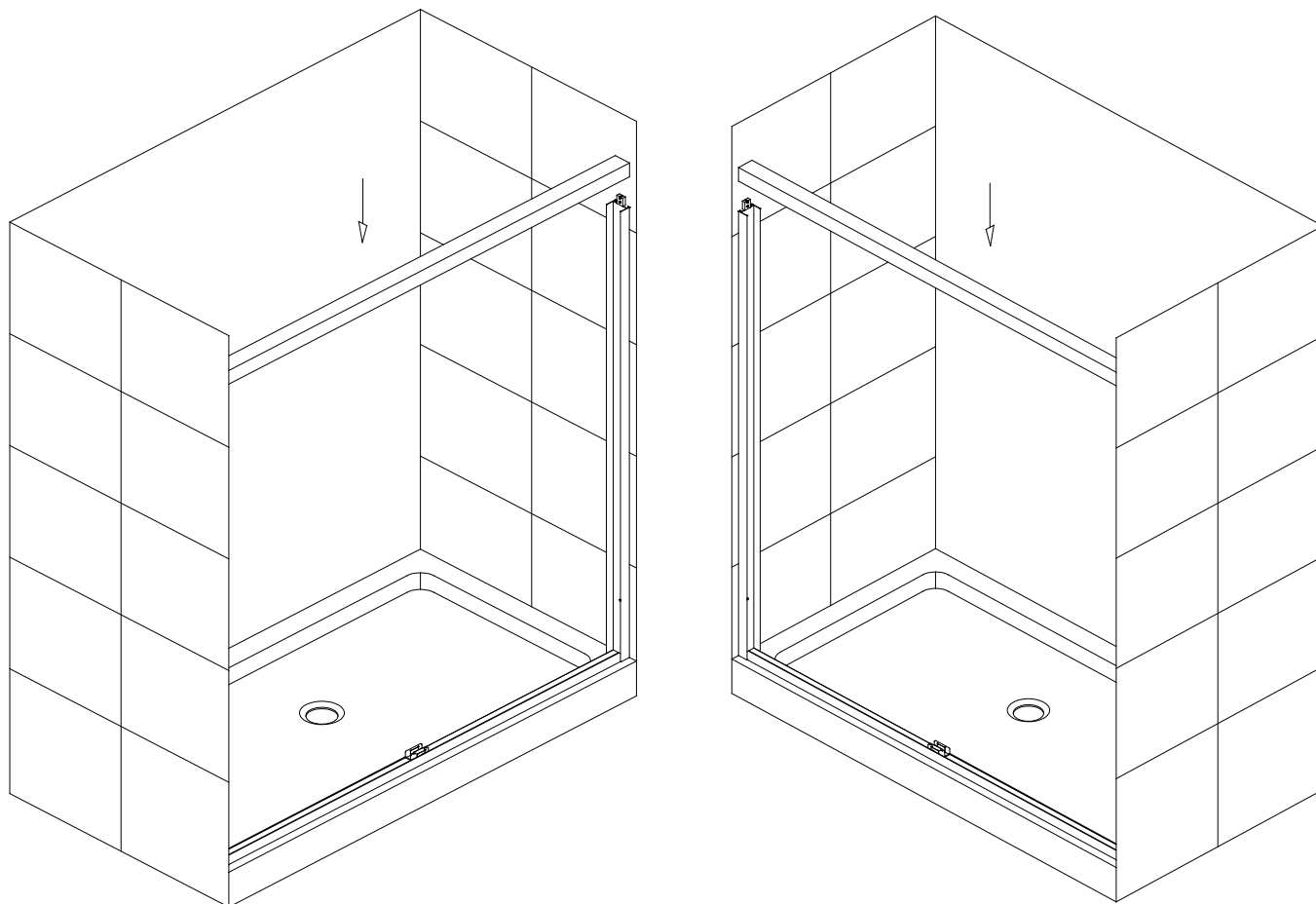
**See Fig 8 for details**



**Fig 8**

**9.** Install the **Upper Guide Rail (#02)** onto the installed **Wall profiles (#01)** making sure that it sits firmly onto the **Wall profile connectors (#07)**

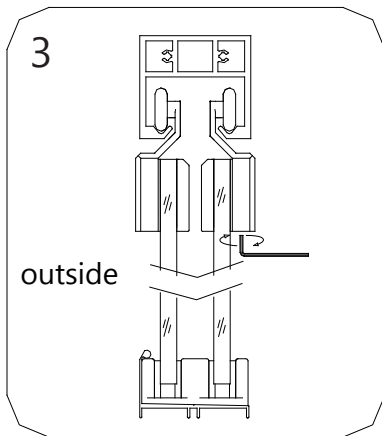
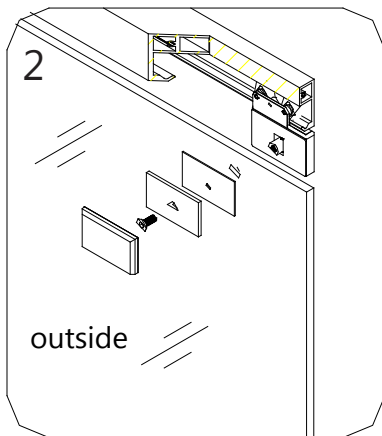
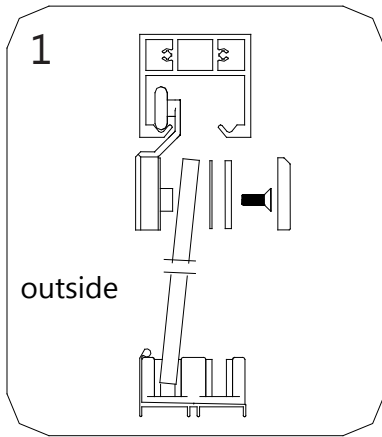
**See Fig 9 for details**



**Fig 9**

**Note:**

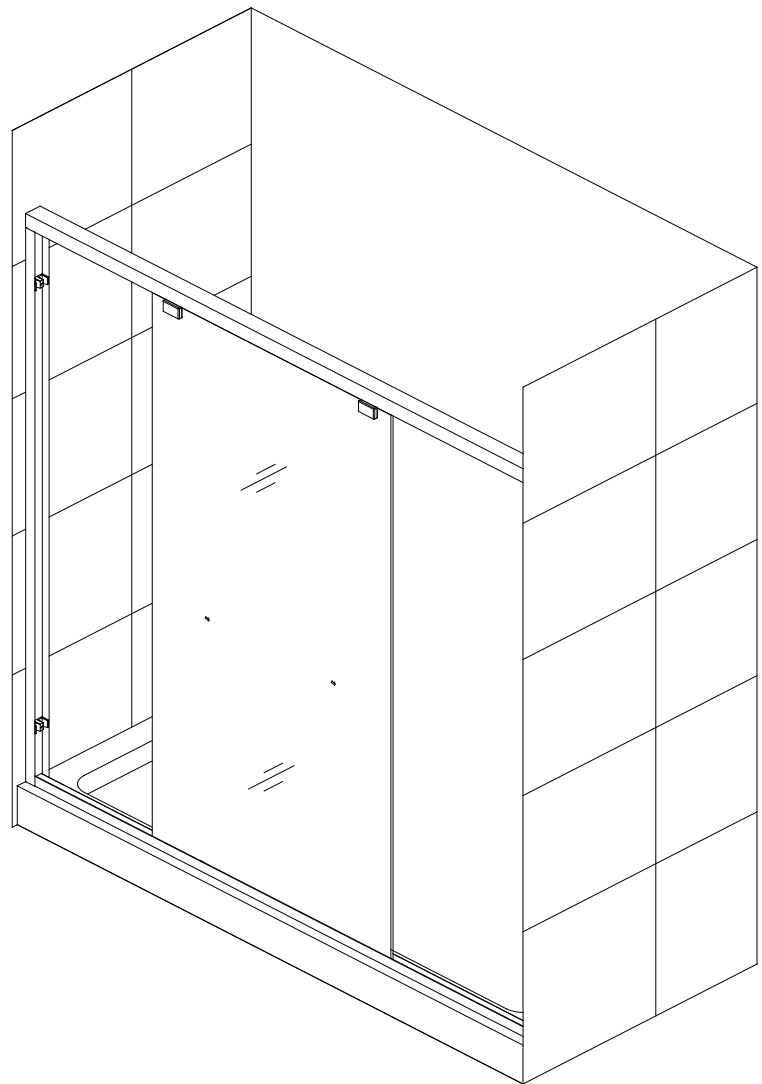
**Do not** attach the **Towel bars (#08)** to the **Door glass (#03)** until instructed.  
**Do not** attempt to lift the glass with the towel bars as doing so may cause damage to the glass and/or serious personal injury.  
Use an assistant or a professional grade glass suction cup to handle the glass.



**Fig 10**

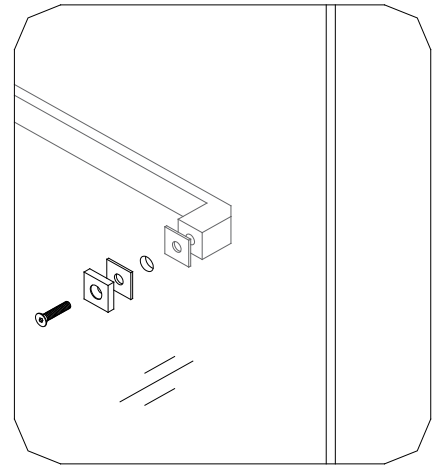
**10.** Bring both pieces of **Door glass (#03)** into the shower area. Install the outer door glass first and then the inner door glass. Carefully place the outside door glass into the **Guide Block (#05)**. Place two of the roller assemblies into the **Upper Guide Rail (#02)** and attach to the glass as shown. (Fig 10.1 & 10.2) Next, install the inner door glass in the same manner (you will need to move the door to access both rollers). After both doors are installed, use the **Allen Wrench (#14)** to make minor adjustments so that the doors operate smoothly. (Fig 9.3)

**See Fig 10 for details**



**11.** Attach the inside and outside **Towel bars (#08)** using all provided gaskets as shown.

**See Fig 11 for details**

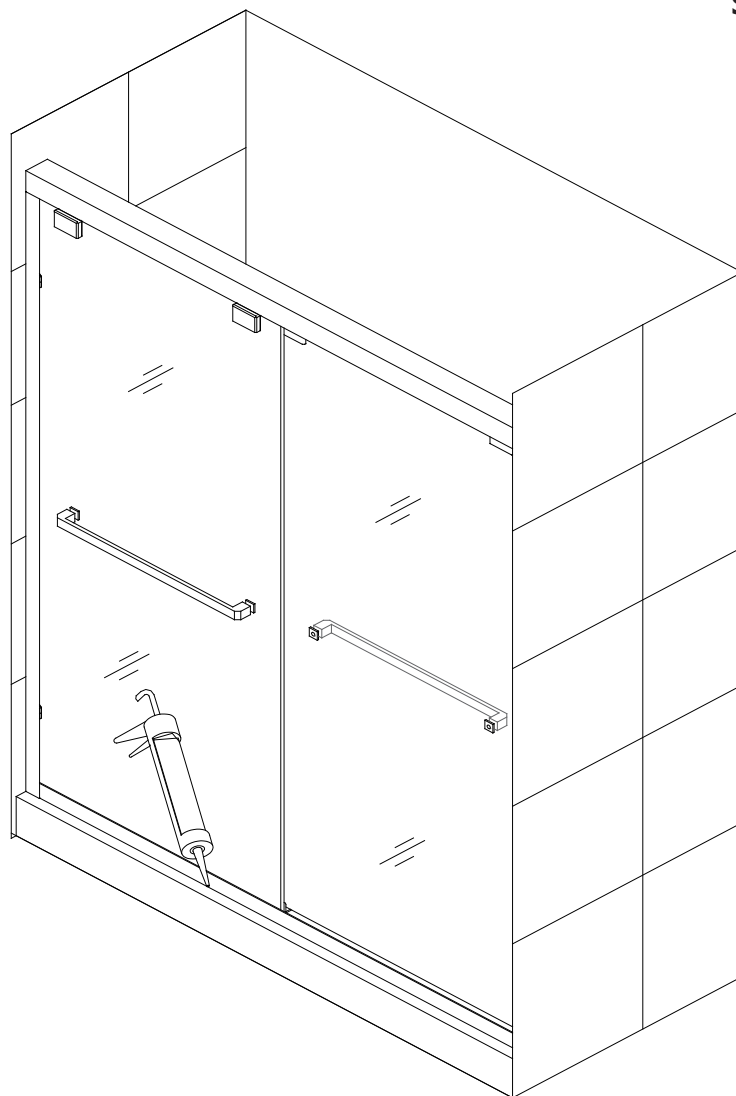


**Fig 11**

**12.** Apply good quality mildew-resistant silicone to the entire interior perimeter where the wall profile meets the wall and along the threshold.

**Allow 24 hours for the silicone to fully cure before using the shower.**

**See Fig 12 for details**



**Fig 12**

## **Product Maintenance**

BASES and BACKWALLS: To ensure long lasting life for your acrylic back walls: wipe them off after each use with a soft cloth. To clean the acrylic back walls use non-abrasive sprays or cream based cleaners. Avoid the use of aerosol spray cleaners. Never use abrasive cleansers, metal brushes or scrapers that could scratch or dull the surface.

GLASS: To ensure long lasting life for your glass shower products: wipe them off after each use with a soft cloth. Rinse and wipe off the glass using either a soft cloth or a squeegee to prevent soap buildup and water spots (Hard water can etch the surface of the glass over time if left to dry). To prevent scratching the surface: never use abrasive cleaners or cleaning products that contain scouring agents. Never use bristle brushes or abrasive sponges that may scratch the surface.

HARDWARE: To ensure a long lasting finish: wipe off the metal parts after each use with a soft cloth. Do not use abrasive cleaners or cleaning products containing ammonia, bleach or acid. If accidentally used, rinse the surface as soon as possible to prevent damage to the finish (peeling or corrosion). After cleaning the polished finishes, rinse thoroughly and wipe dry with soft cloth. Clean stainless steel surfaces at least once a week. When applying stainless steel cleaner or polish to stainless steel hardware, work with (not across) the grain. Never use an abrasive sponge or cloth, steel wool or wired brush as these may permanently scratch the surfaces.



TEL: 866-731-2244  
FAX: 866-857-3638  
DREAMLINE.COM

For more information on DreamLine® Shower Doors and Enclosure please visit **DreamLine.com**