

72"

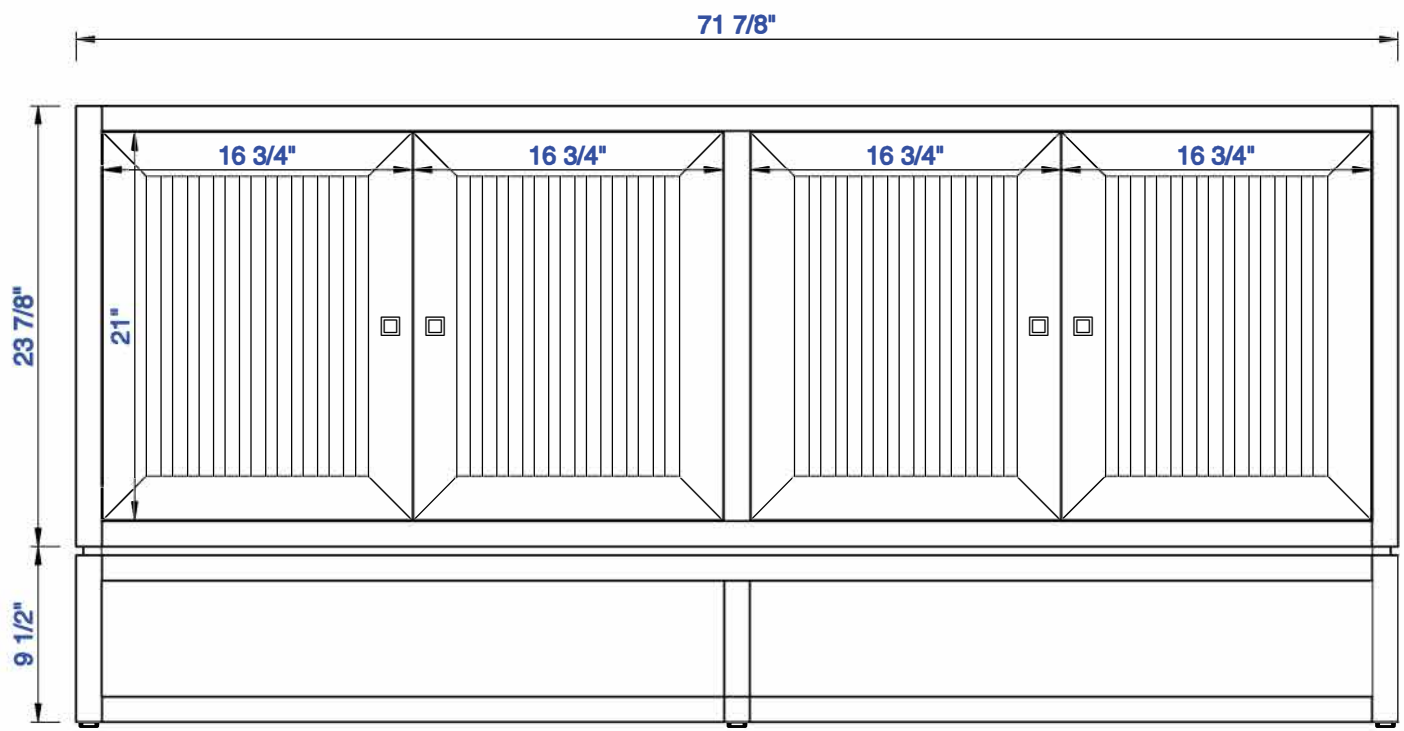
Item Number:  
E645-V72-MCA  
E645-V72-GW

JAMES MARTIN



VANITIES™

Athens 72" Double Vanity Cabinet  
Diagrams with Dimensions  
page 01 of 03



**NOTE ONE: Countertops are not shown in these diagrams. (Cabinet Only)**

**NOTE TWO: This vanity does not have a Backsplash.**

**Please consult our website for Countertop Diagrams: [www.jamesmartinvanities.com](http://www.jamesmartinvanities.com)**

**Version:202010**

72"

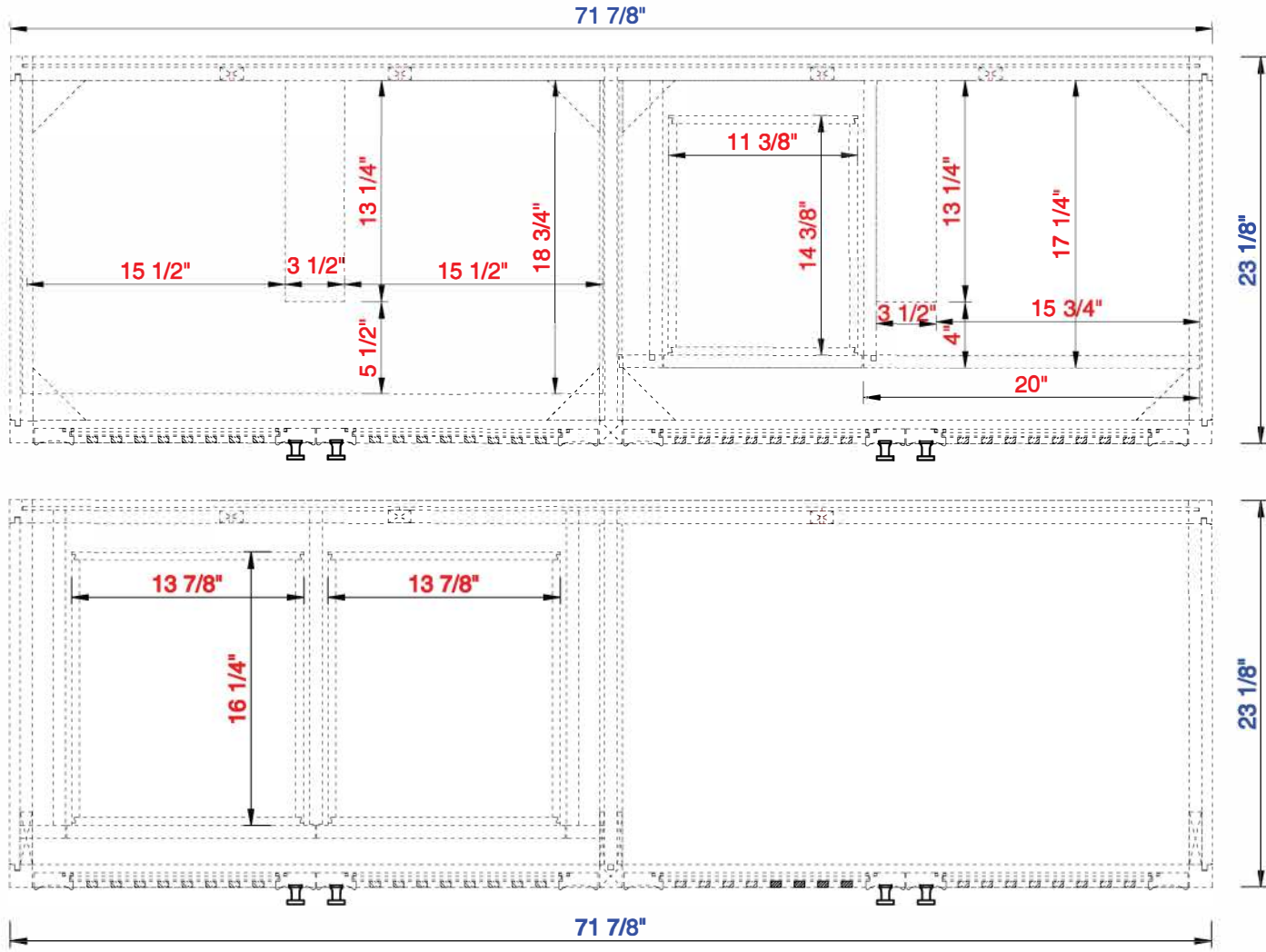
Item Number:  
E645-V72-MCA  
E645-V72-GW

JAMES MARTIN



VANITIES™

Athens 72" Double Vanity Cabinet  
Diagrams with Dimensions  
page 02 of 03



**NOTE ONE: Countertops are not shown in these diagrams . (Cabinet Only)**  
**NOTE TWO: Internal Shelves (Shown) are designed to align with sinks in James Martin's Optional Countertops.**  
**Customer's own countertops and sinks may align differently, and modification may be required.**  
**Please consult our website for Countertop Diagrams: [www.jamesmartinvanities.com](http://www.jamesmartinvanities.com)**

Version:202010

72"

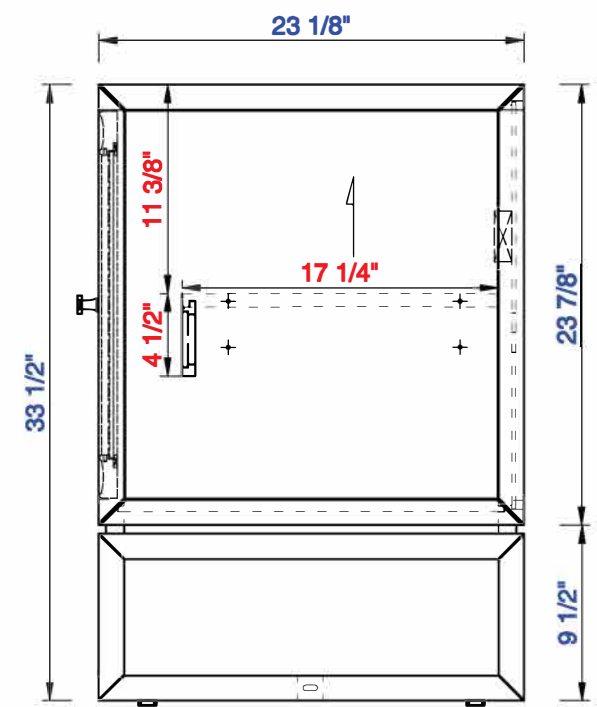
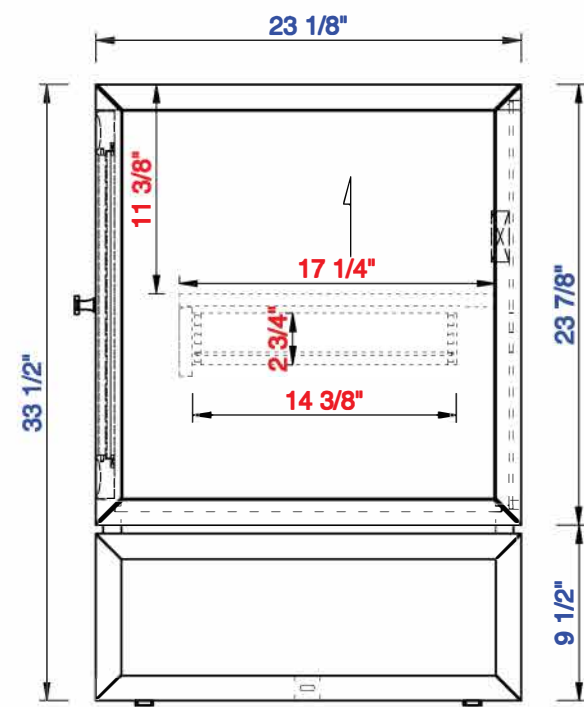
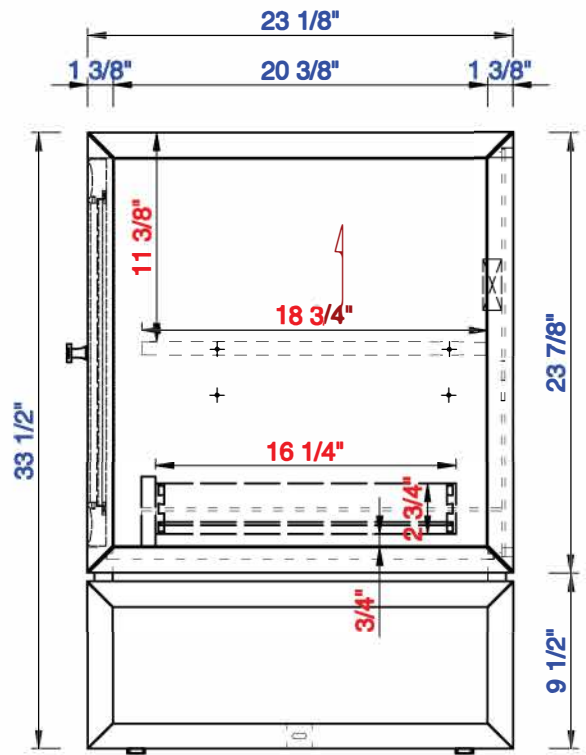
Item Number:  
E645-V72-MCA  
E645-V72-GW

JAMES MARTIN



VANITIES™

Athens 72" Double Vanity Cabinet  
Diagrams with Dimensions  
page 03 of 03



**NOTE ONE:** Countertops are not shown in these diagrams . (Cabinet Only)

**NOTE TWO:** This vanity does not have a Backsplash.

Please consult our website for Countertop Diagrams: [www.jamesmartinvanities.com](http://www.jamesmartinvanities.com)

Version:202010

1829mm

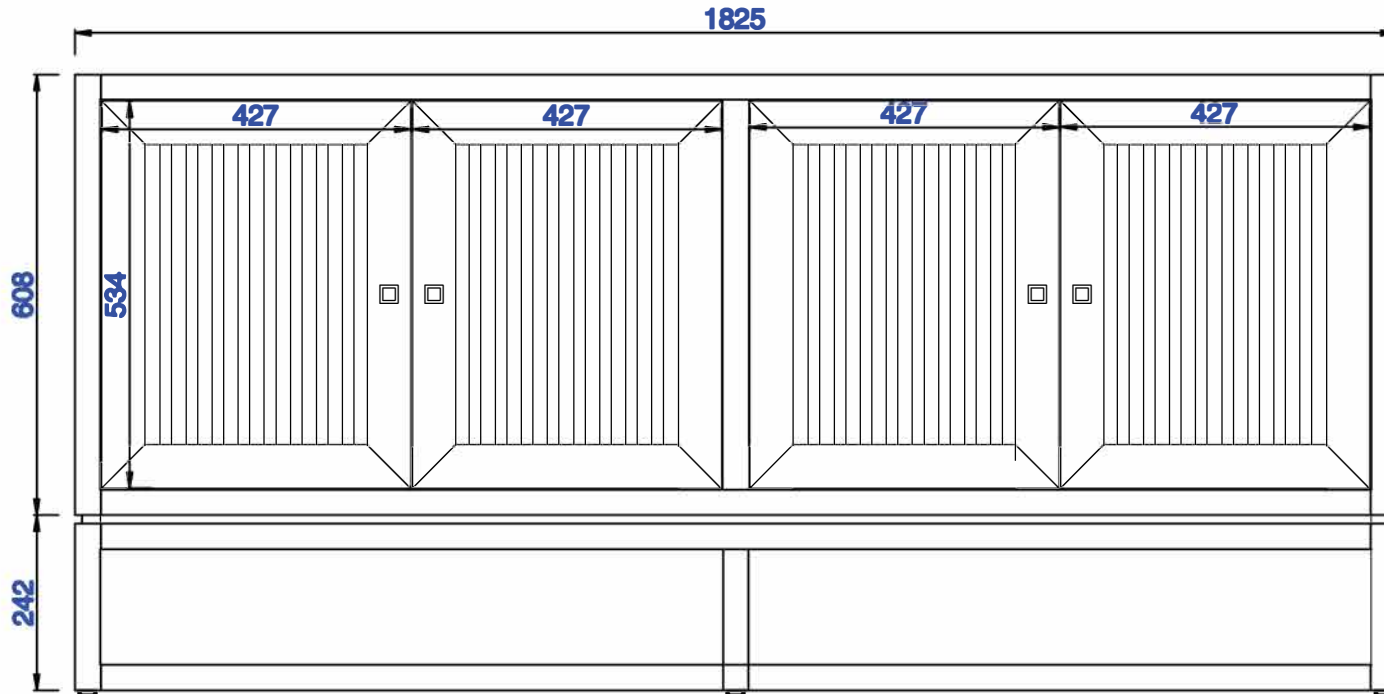
Item Number:  
E645-V72-MCA  
E645-V72-GW

JAMES MARTIN



VANITIES™

Athens 1829mm Double Vanity Cabinet  
Diagrams with Dimensions  
page 01 of 03



**NOTE ONE: Countertops are not shown in these diagrams. (Cabinet Only)**

**NOTE TWO: This vanity does not have a Backsplash.**

**Please consult our website for Countertop Diagrams: [www.jamesmartinvanities.com](http://www.jamesmartinvanities.com)**

**Version:202010**

1829mm

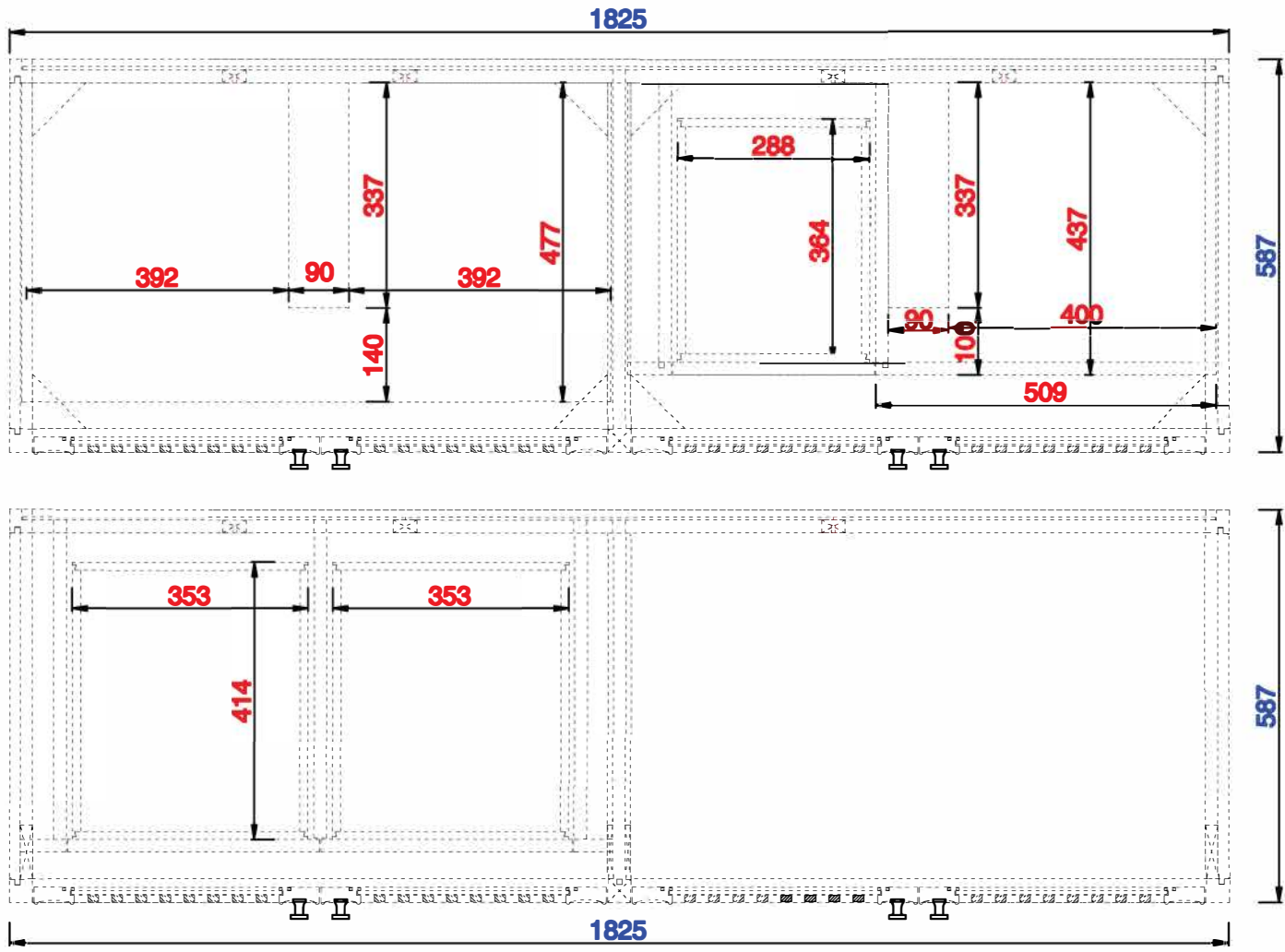
Item Number:  
E645-V72-MCA  
E645-V72-GW

JAMES MARTIN



VANITIES™

Athens 1829mm Double Vanity Cabinet  
Diagrams with Dimensions  
page 02 of 03



**NOTE ONE: Countertops are not shown in these diagrams . (Cabinet Only)**  
**NOTE TWO: Internal Shelves (Shown) are designed to align with sinks in James Martin's Optional Countertops.**  
**Customer's own countertops and sinks may align differently, and modification may be required.**  
**Please consult our website for Countertop Diagrams: [www.jamesmartinvanities.com](http://www.jamesmartinvanities.com)**

Version:202010

1829mm

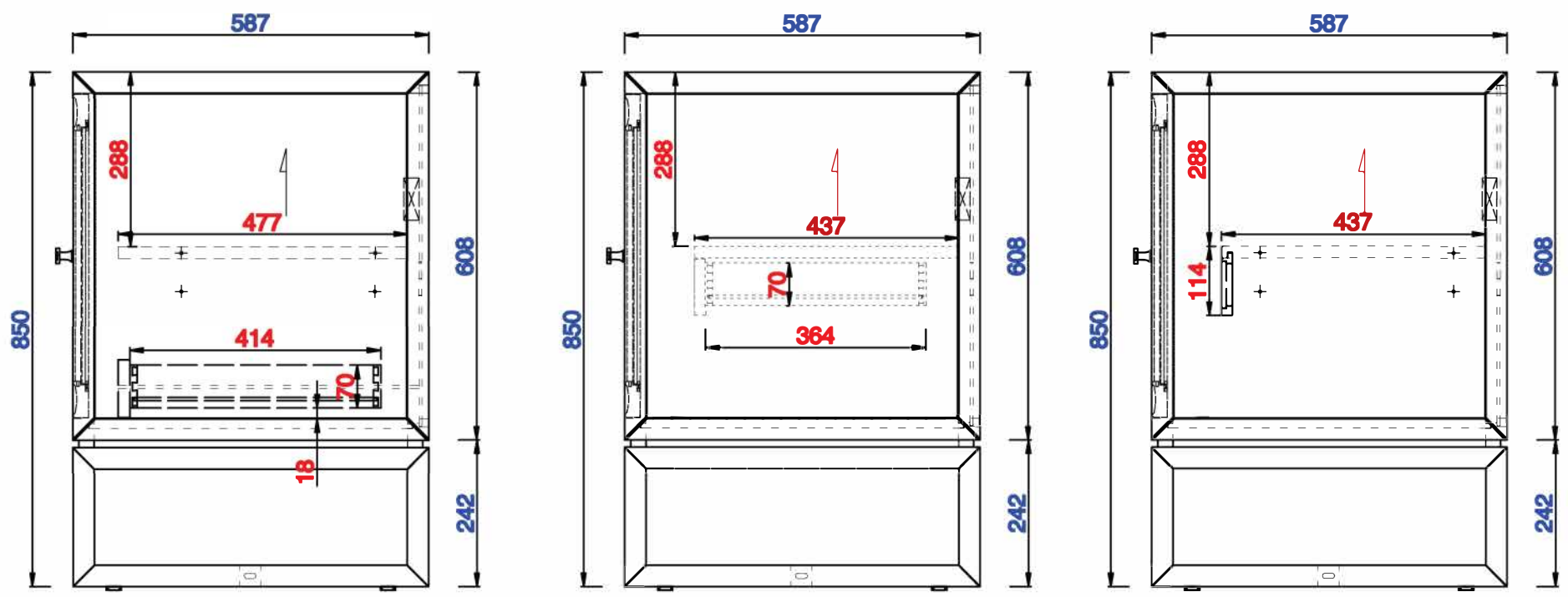
Item Number:  
E645-V72-MCA  
E645-V72-GW

JAMES MARTIN



VANITIES™

Athens 1829mm Double Vanity Cabinet  
Diagrams with Dimensions  
page 03 of 03



**NOTE ONE:** Countertops are not shown in these diagrams . (Cabinet Only)

**NOTE TWO:** This vanity does not have a Backsplash.

Please consult our website for Countertop Diagrams: [www.jamesmartinvanities.com](http://www.jamesmartinvanities.com)