

60"D

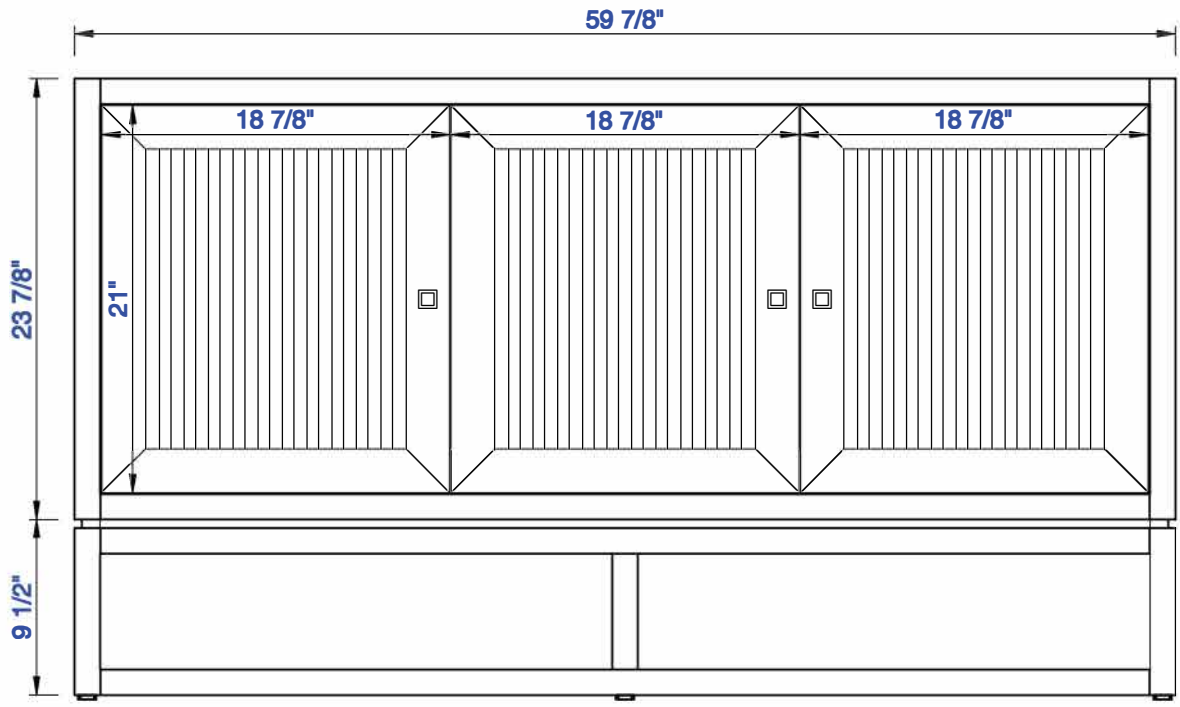
Item Number:  
E645-V60D-MCA  
E645-V60D-GW

JAMES MARTIN



VANITIES™

Athens 60" Double Vanity Cabinet  
Diagrams with Dimensions  
page 01 of 03



**NOTE ONE: Countertops are not shown in these diagrams. (Cabinet Only)**

**NOTE TWO: This vanity does not have a Backsplash.**

**Please consult our website for Countertop Diagrams: [www.jamesmartinvanities.com](http://www.jamesmartinvanities.com)**

**Version:202010**

60"D

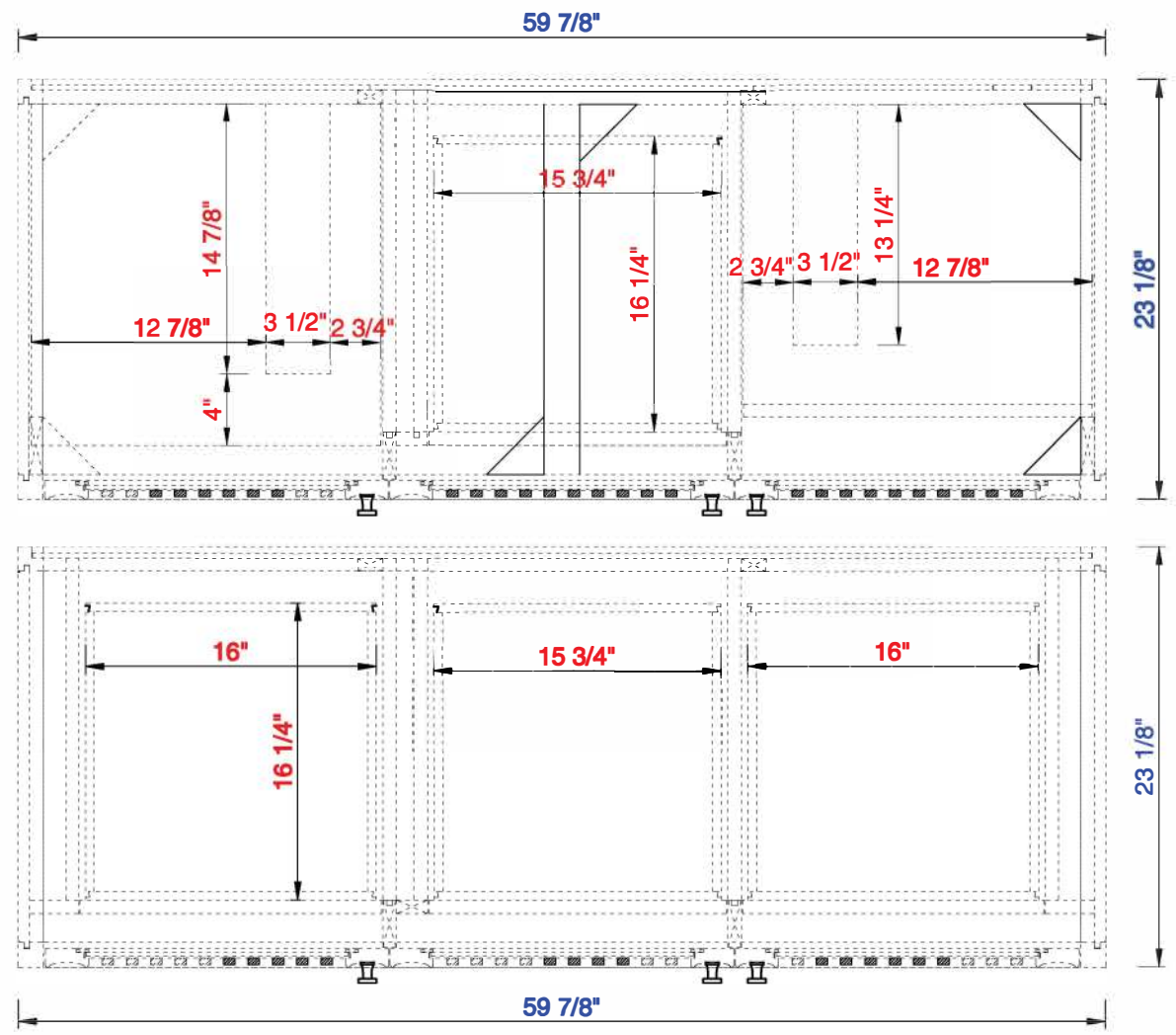
Item Number:  
E645-V60D-MCA  
E645-V60D-GW

JAMES MARTIN



VANITIES™

Athens 60" Double Vanity Cabinet  
Diagrams with Dimensions  
page 02 of 03



**NOTE ONE:** Countertops are not shown in these diagrams . (Cabinet Only)  
**NOTE TWO:** Internal Shelves (Shown) are designed to align with sinks in James Martin's Optional Countertops.  
Customer's own countertops and sinks may align differently, and modification may be required.  
Please consult our website for Countertop Diagrams: [www.jamesmartinvanities.com](http://www.jamesmartinvanities.com)

60"D

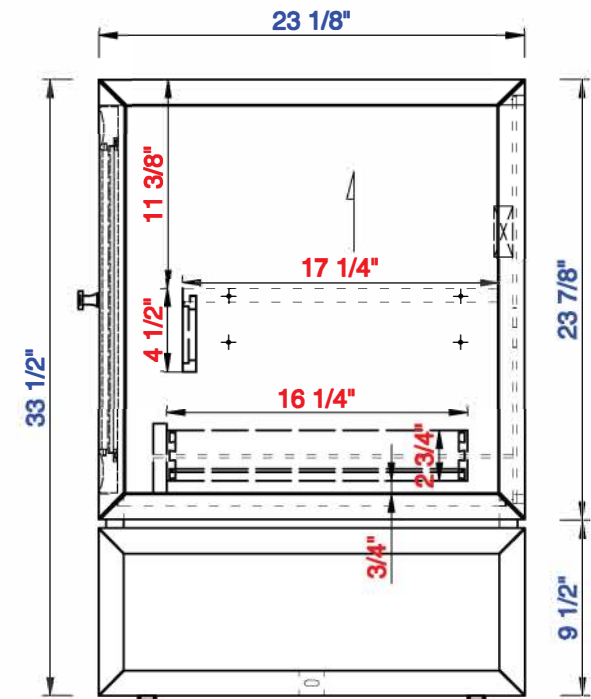
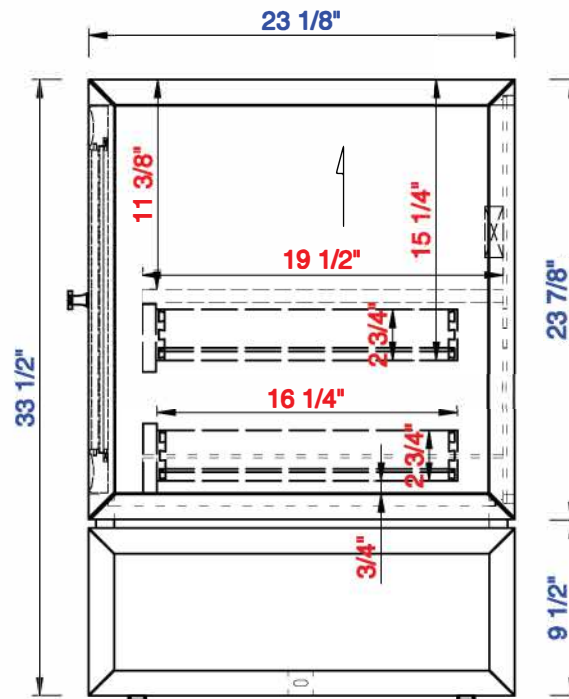
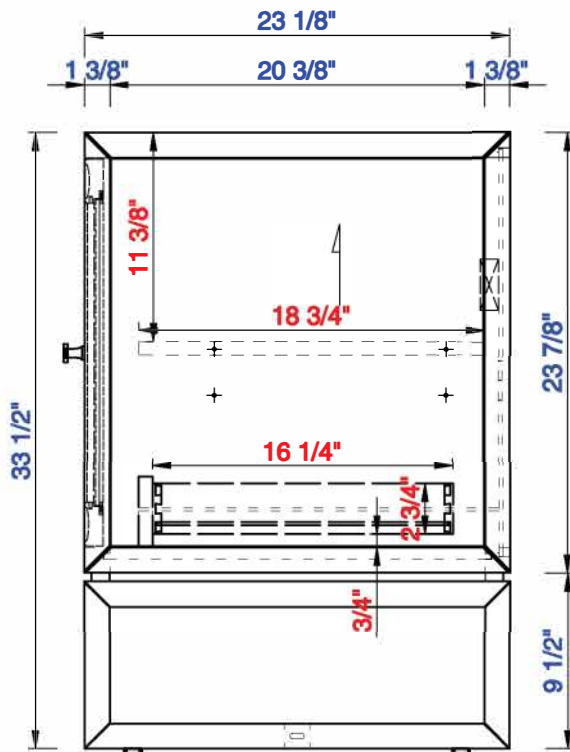
Item Number:  
E645-V60D-MCA  
E645-V60D-GW

JAMES MARTIN



VANITIES™

Athens 60" Double Vanity Cabinet  
Diagrams with Dimensions  
page 03 of 03



NOTE ONE: Countertops are not shown in these diagrams . (Cabinet Only)

NOTE TWO: This vanity does not have a Backsplash.

Please consult our website for Countertop Diagrams: [www.jamesmartinvanities.com](http://www.jamesmartinvanities.com)

Version:202010

1524mm

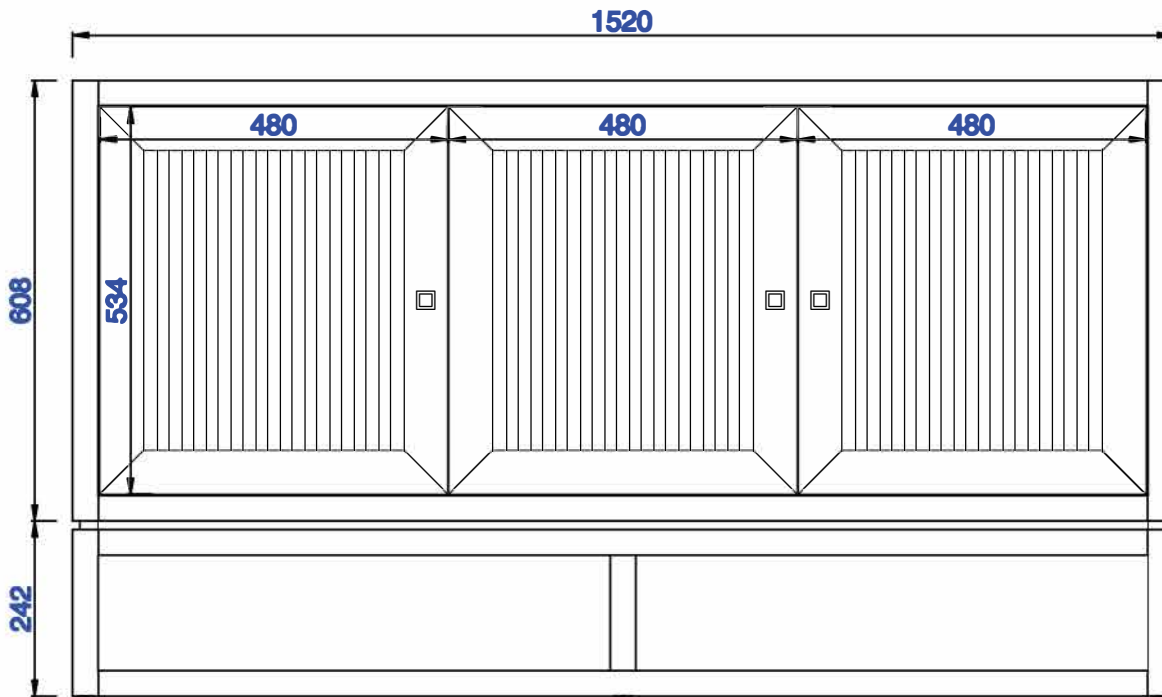
Item Number:  
E645-V60D-MCA  
E645-V60D-GW

JAMES MARTIN



VANITIES™

Athens 1524mm Double Vanity Cabinet  
Diagrams with Dimensions  
page 01 of 03



**NOTE ONE: Countertops are not shown in these diagrams. (Cabinet Only)**

**NOTE TWO: This vanity does not have a Backsplash.**

Please consult our website for Countertop Diagrams: [www.jamesmartinvanities.com](http://www.jamesmartinvanities.com)

Version:202010

1524mm

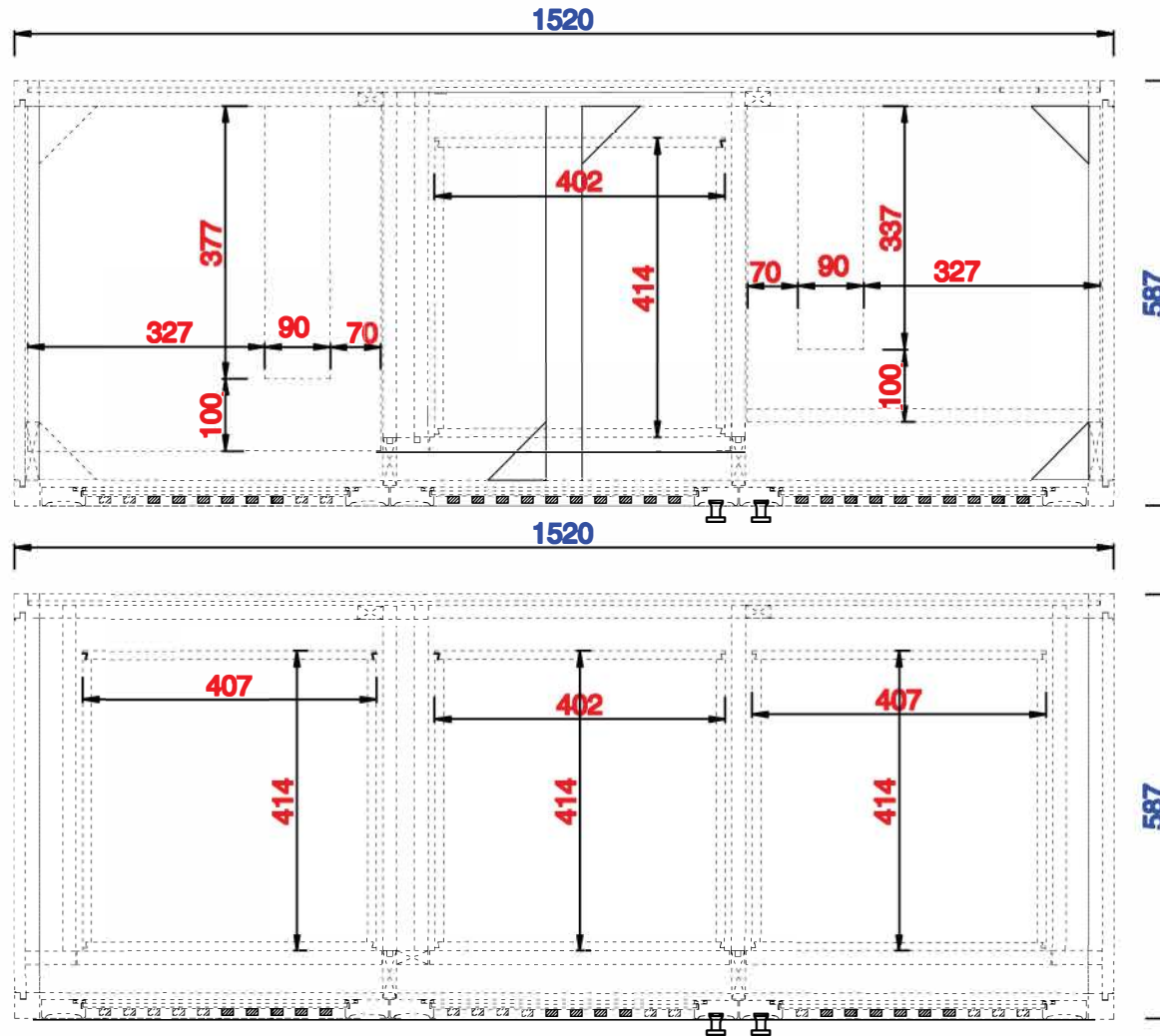
Item Number:  
E645-V60D-MCA  
E645-V60D-GW

JAMES MARTIN



VANITIES™

Athens 1524mm Double Vanity Cabinet  
Diagrams with Dimensions  
page 02 of 03



**NOTE ONE: Countertops are not shown in these diagrams . (Cabinet Only)**

**NOTE TWO: Internal Shelves (Shown) are designed to align with sinks in James Martin's Optional Countertops. Customer's own countertops and sinks may align differently, and modification may be required. Please consult our website for Countertop Diagrams: [www.jamesmartinvanities.com](http://www.jamesmartinvanities.com)**

Version:202010

1524mm

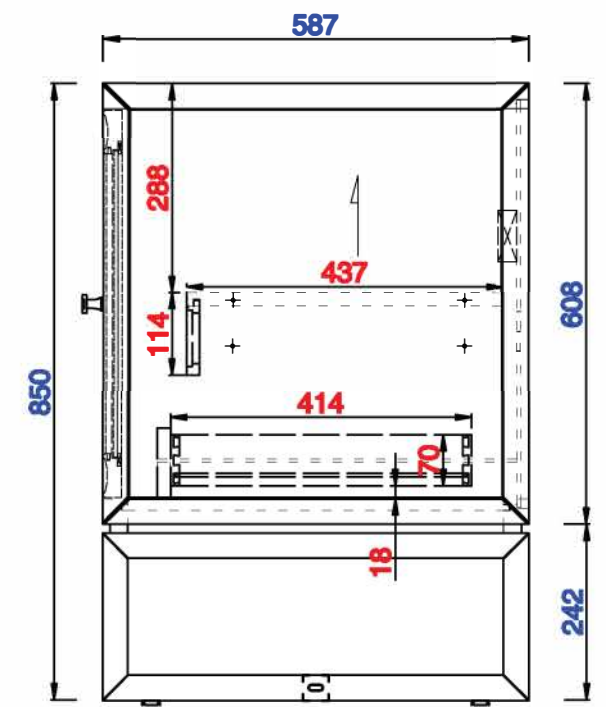
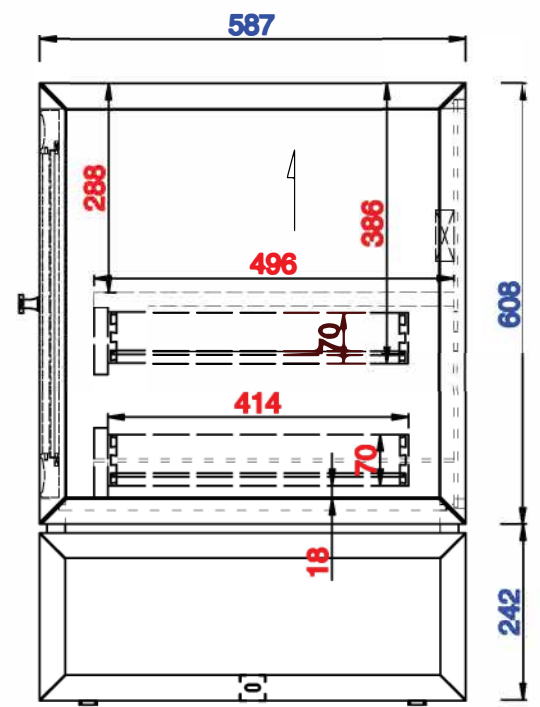
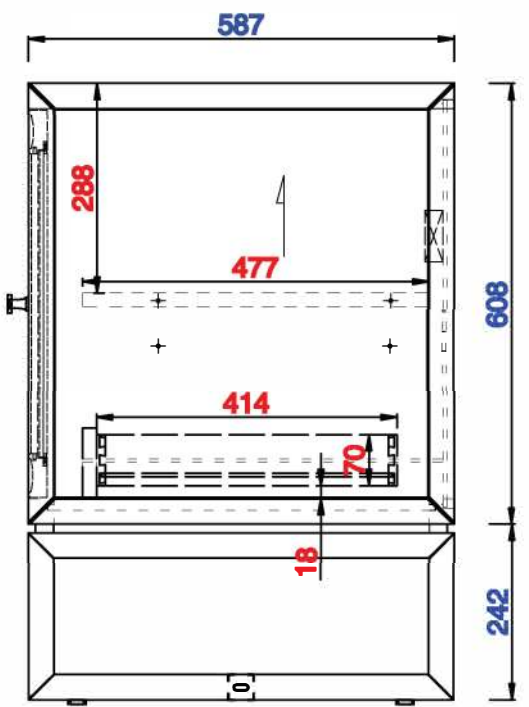
Item Number:  
E645-V60D-MCA  
E645-V60D-GW

JAMES MARTIN



VANITIES™

Athens 1524mm Double Vanity Cabinet  
Diagrams with Dimensions  
page 03 of 03



NOTE ONE: Countertops are not shown in these diagrams . (Cabinet Only)

NOTE TWO: This vanity does not have a Backsplash.

Please consult our website for Countertop Diagrams: [www.jamesmartinvanities.com](http://www.jamesmartinvanities.com)

Version:202010