

# Dawn®

Kitchen & Bath Products, Inc.

## DLEDLV14 Installation Instructions

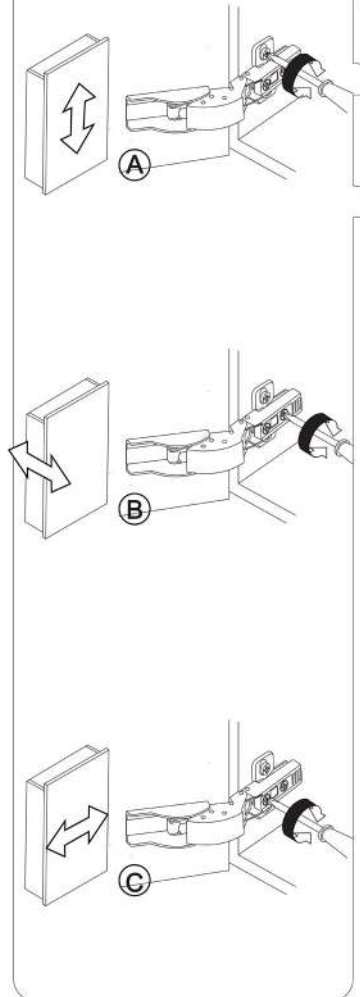
27688 Industrial Blvd., Hayward, CA 94545  
Toll-Free: 877-329-6872 • Fax: 510-723-0099  
dp@dawnusa.net • www.dawnusa.net

TAKE OFF THE BUFFER AND THE COVER OF THE HINGE WHEN DOOR NEED TO BE ADJUSTED



### DLEDLV14 21-5/8" x 5-5/16" x 27-9/16"

LED Aluminum Mirror/Medicine Cabinet (Dimmer Sensor)  
Matte Aluminum Frame



Door adjustment  
CE IP23

