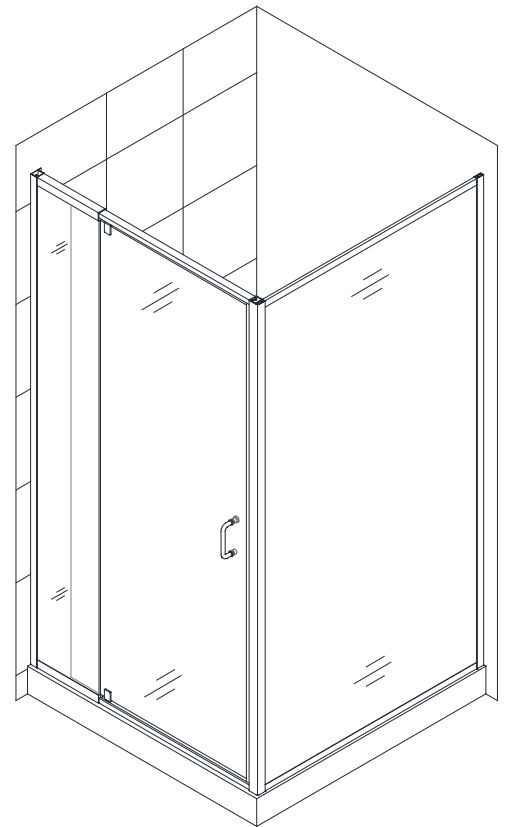
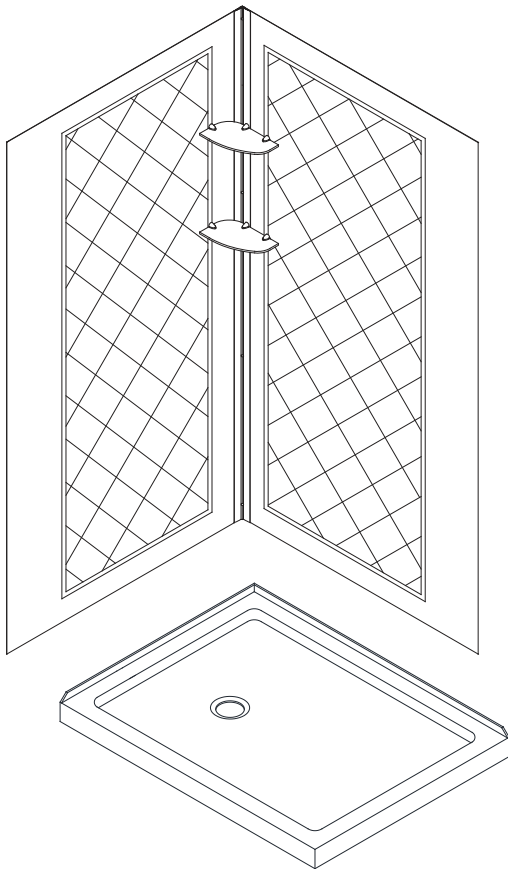


FLEX SHOWER ENCLOSURE, BASE & Q-Wall 4

SHOWER ENCLOSURE, BASE & BACKWALL INSTALLATION INSTRUCTIONS

PLEASE REVIEW THIS ENTIRE MANUAL PRIOR TO INSTALLATION



STEP 1: Install Shower Base

STEP 2: Install Backwall

STEP 3: Install Shower Enclosure

First: Install Shower Door*

Then: Install Return Panel



***NOTE:** Refer to the Return Panel Manual for Enclosure Installation dimensions.



Questions?

Please Call *DreamLine* Customer Support: **1-855-831-2126**
Hours of Operation M-F 8AM - 7PM EST and Saturday 9AM - 5PM EST

Support@DreamLine.com



For more information about DreamLine[®] products please visit DreamLine.com

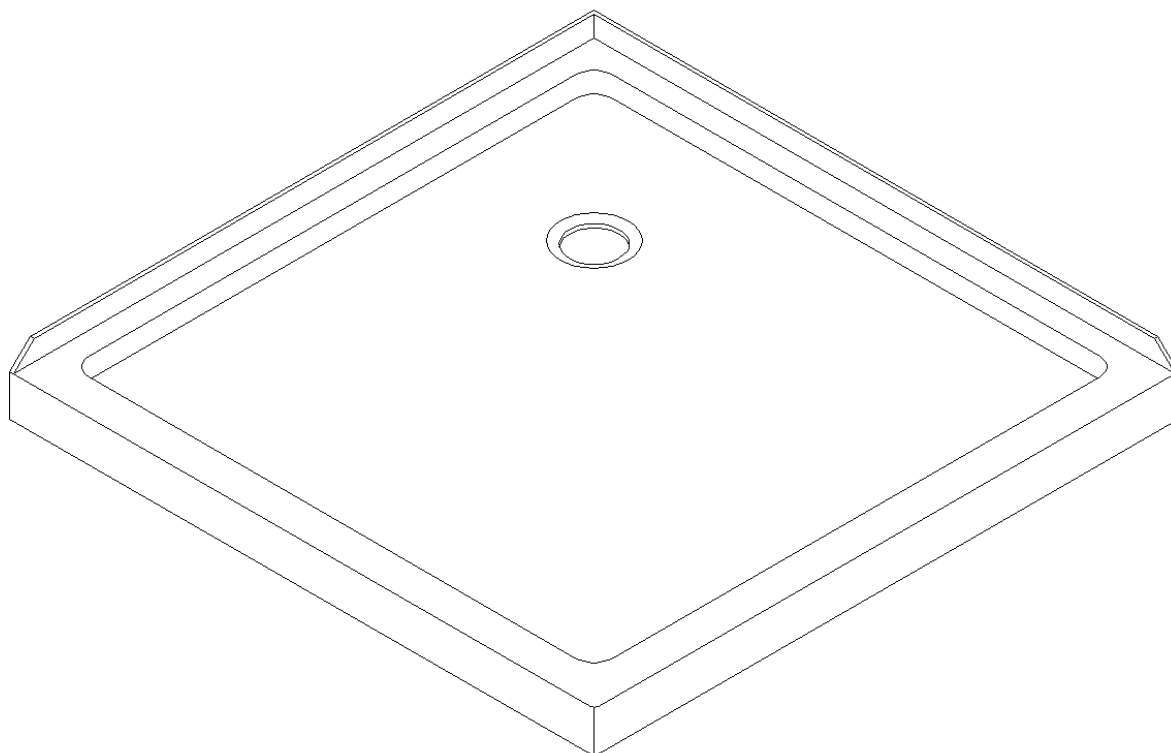


SLIMLINE SHOWER BASE

SHOWER BASE DIMENSIONS AND INSTALLATION INSTRUCTIONS

IMPORTANT

DreamLine® reserves the right to alter, modify or redesign products at any time without prior notice for the purpose of product improvement and customer experience. Please refer to the model's web page on **DreamLine.com** for the latest technical drawings, installation manuals, warranty information or additional product details.



Double Threshold Shower Base with Corner Drain Configuration shown as an example

- Color options:**
--- - White
-22- Biscuit
-88- Black

Please review this entire manual before beginning installation



Questions?

Please Call **DreamLine Customer Support: 1-855-831-2126**
Hours of Operation M-F 8AM - 7PM EST and Saturday 9AM - 5PM EST

Support@DreamLine.com



For more information about DreamLine® products please visit DreamLine.com

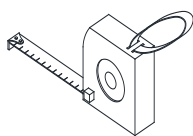
Preparation

1. Prior to installation, examine all boxes and packages for shipping damage and compare the piece count with your packing slip. After opening all boxes and packages read this introduction carefully. Check that all of the parts are included in the package by checking off the components on the parts list. If the unit has been damaged, has a finishing defect, or has missing parts, please contact our customer support department within **3 business days** of the delivery date. Please note that **DreamLine® will not replace any damaged products or missing parts free of charge after 3 business days or if the product has been installed.** Please contact DreamLine® if with any questions and please provide an order number, job name or other proof of purchase to help identify the original order.
2. Install all of the required plumbing and drainage before installing the shower base. **Use a competent and licensed (if required by local code) plumber for all plumbing installation.**
3. **Shower bases must be installed by a licensed plumber. Please note that you should consult your local building codes with questions on installation compliance standards. Building and plumbing codes may vary by location and DreamLine® is not responsible for code compliance standards for your project.**
4. Make sure that prior to the installation the installation surface is leveled and solid and will be able to support the total weight of the unit. Also make sure the walls are at right angles. While some adjustment in leveling of the tray is possible, irregular installation surface level or improper angle of side walls will result in serious problems for your installation. Please note that some adjustments may be necessary during the installation process.
5. **Center drain configurations are centered on the width only. See technical drawing tables for drain locations.**
6. **Drain not included with this product.** The drain opening is 3-3/8" in diameter and **accepts a standard 2" compression fitted drain.**

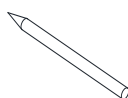
IMPORTANT NOTE:

Dimensions provided are for reference only. Measure the actual shower tray before installation. This includes overall dimensions and drain location. Allowed tolerance for center of the drain is +/-1/2".

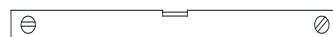
Tools Required



Tape
Measure



Pencil



Level

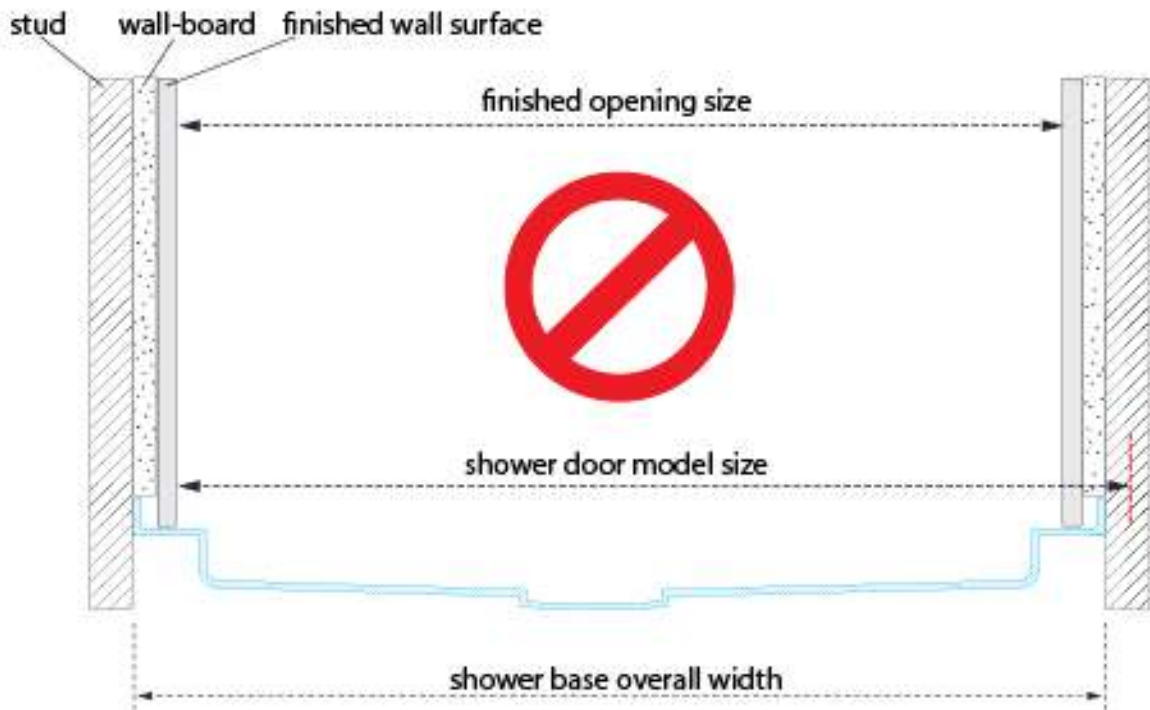
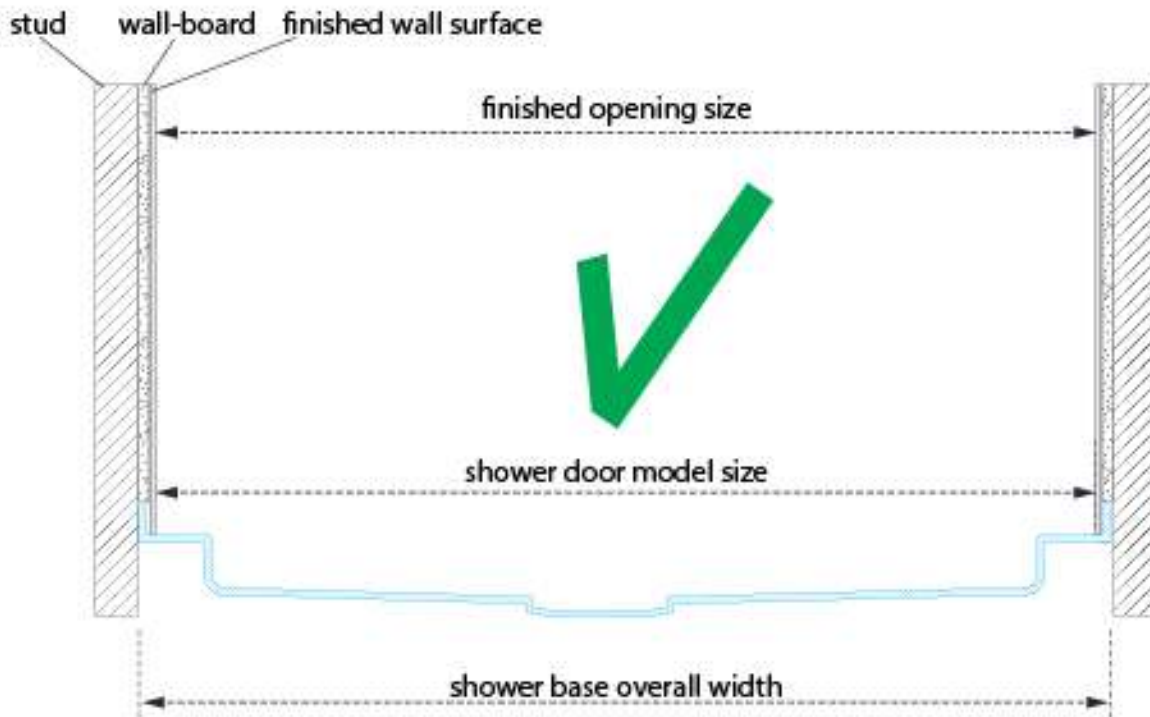


Mortar



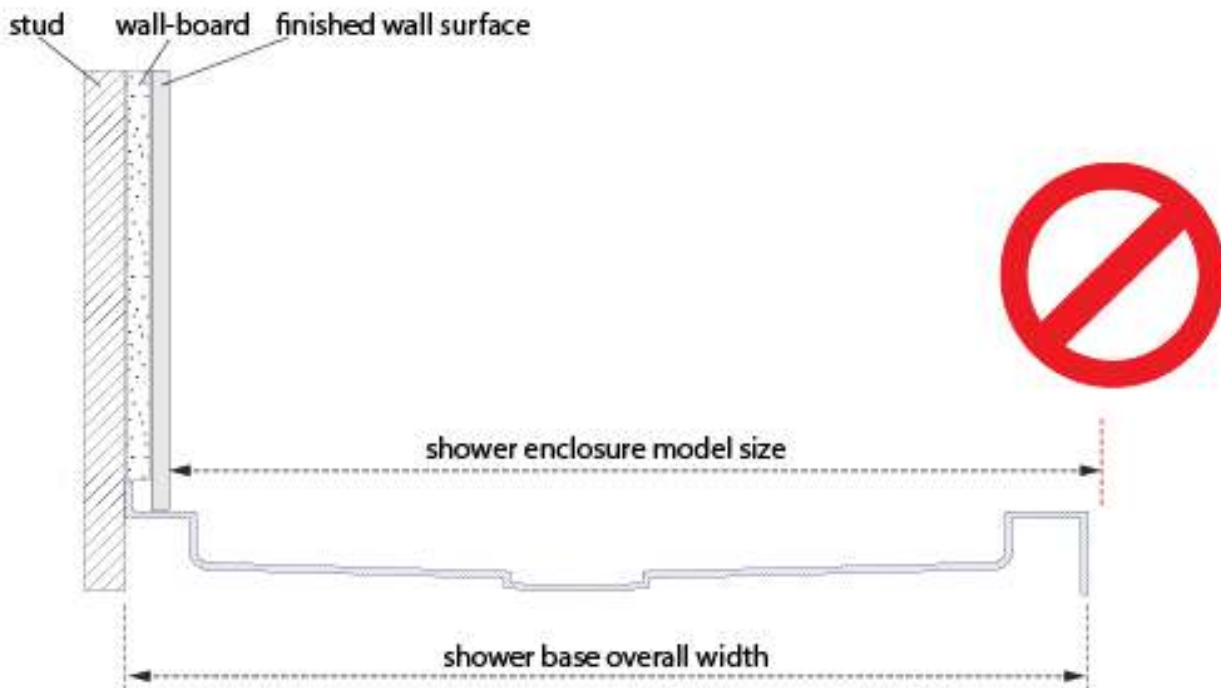
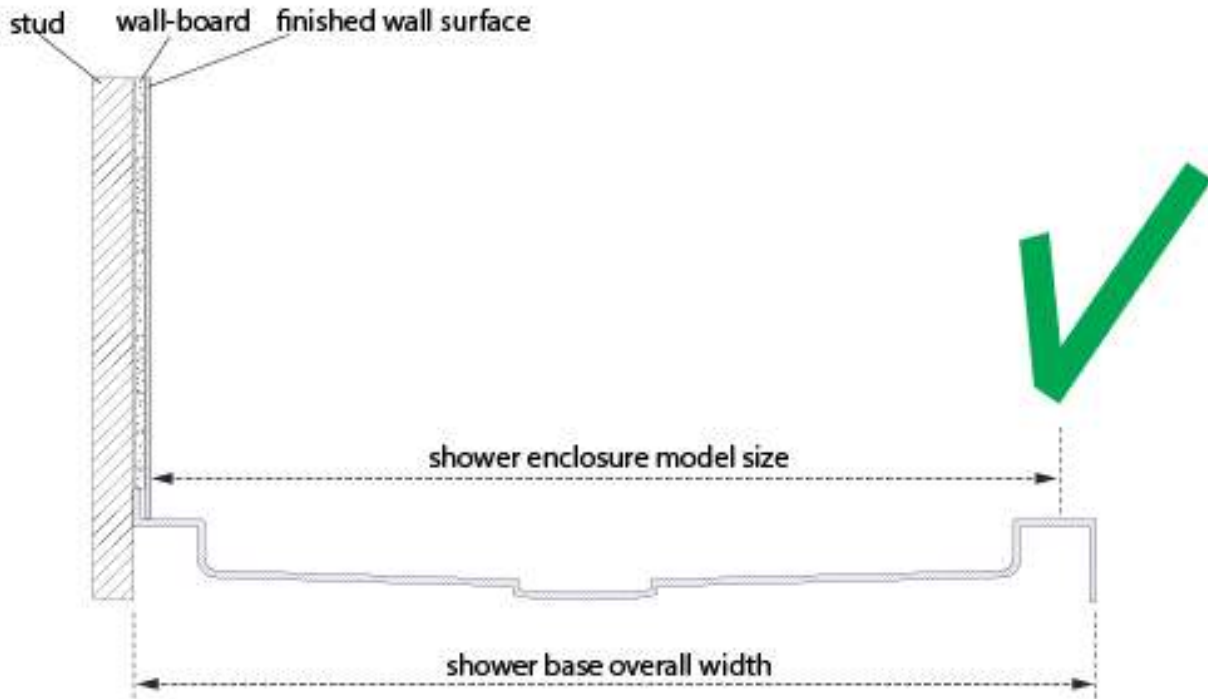
When constructing or installing a shower base, consider how **the thickness of the wall treatment (wallboard, tile, etc.) will affect the finished opening size for the shower door.**

Compare the overall dimensions of the shower door model with the finished opening size before proceeding with the installation.



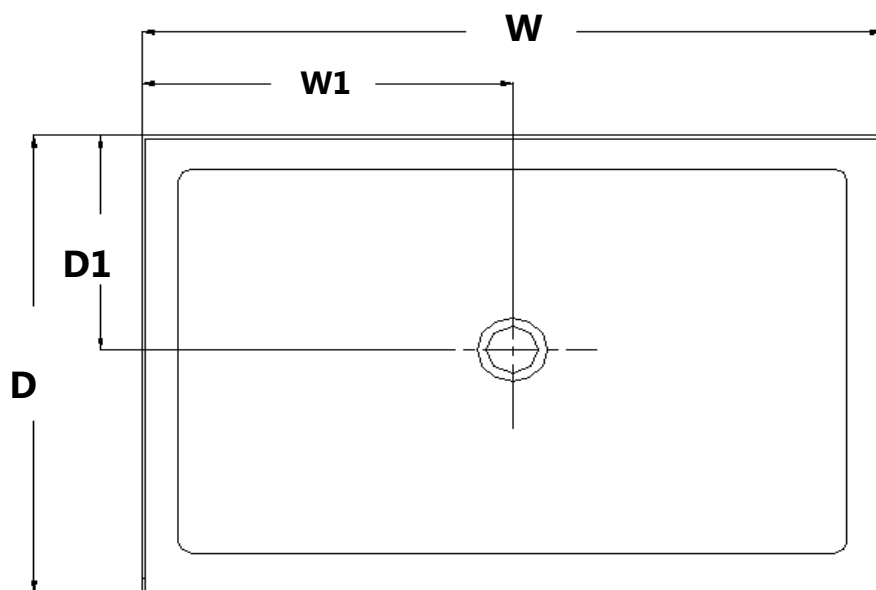
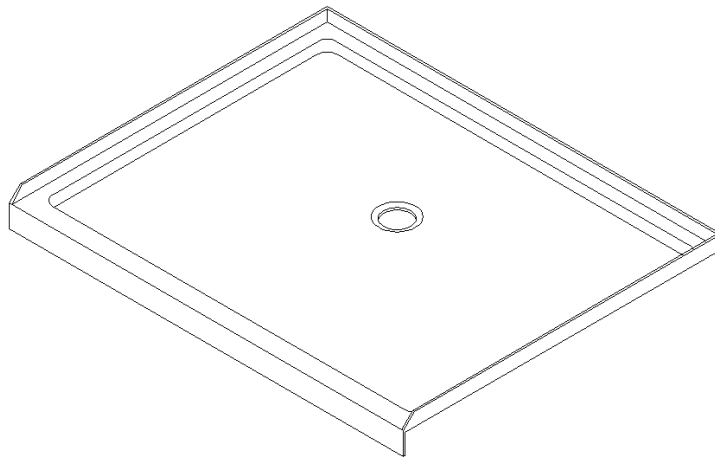


When constructing or installing a shower base, consider how **the thickness of the wall treatment (wallboard, tile, etc.) will affect where the shower enclosure will sit on the threshold.** Compare the overall outside dimensions of the shower enclosure model size with the finished threshold before proceeding with the installation.



SINGLE THRESHOLD SHOWER BASE

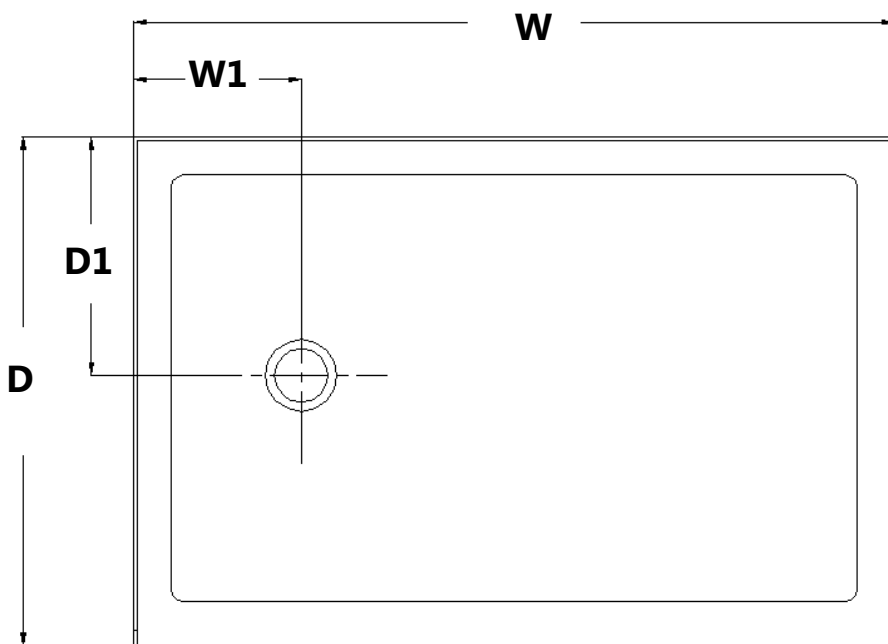
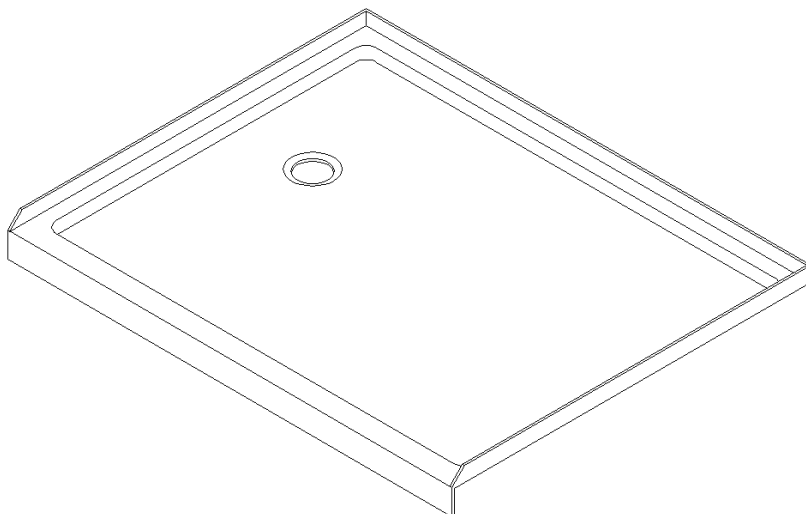
Center Drain Configuration



| MODEL | SPECIFICATION | D (in) | W (in) | D1 (in) | W1 (in) |
|-------------|---------------|--------|--------|---------|---------|
| DLT-1132320 | 32" x 32" | 32" | 32" | 15" | 16" |
| DLT-1136360 | 36" x 36" | 36" | 36" | 15" | 18" |
| DLT-1132420 | 32" x 42" | 32" | 42" | 15" | 21" |
| DLT-1134420 | 34" x 42" | 34" | 42" | 15" | 21" |
| DLT-1136420 | 36" x 42" | 36" | 42" | 15" | 21" |
| DLT-1142420 | 42" x 42" | 42" | 42" | 20" | 21" |
| DLT-1132480 | 32" x 48" | 32" | 48" | 15" | 24" |
| DLT-1134480 | 34" x 48" | 34" | 48" | 15" | 24" |
| DLT-1136480 | 36" x 48" | 36" | 48" | 15" | 24" |
| DLT-1132540 | 32" x 54" | 32" | 54" | 15" | 27" |
| DLT-1134540 | 34" x 54" | 34" | 54" | 15" | 27" |
| DLT-1136540 | 36" x 54" | 36" | 54" | 15" | 27" |
| DLT-1130600 | 30" x 60" | 30" | 60" | 15" | 30" |
| DLT-1132600 | 32" x 60" | 32" | 60" | 15" | 30" |
| DLT-1134600 | 34" x 60" | 34" | 60" | 15" | 30" |
| DLT-1136600 | 36" x 60" | 36" | 60" | 15" | 30" |

SINGLE THRESHOLD SHOWER BASE

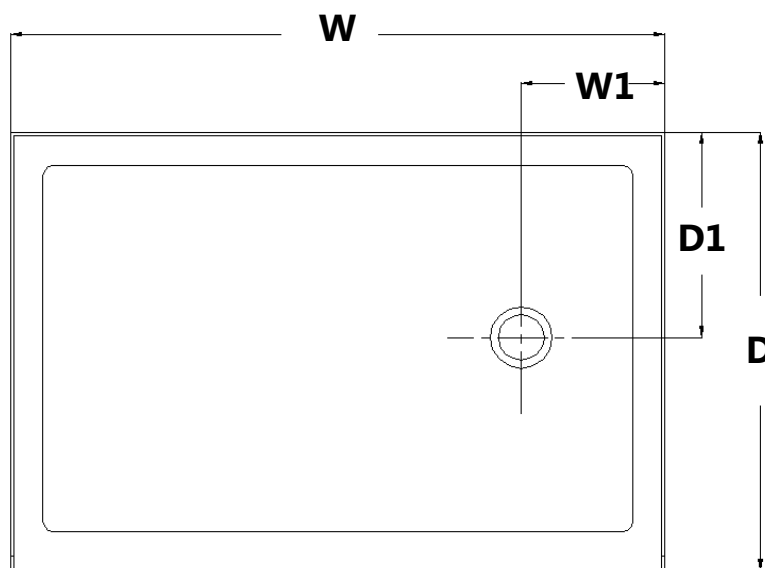
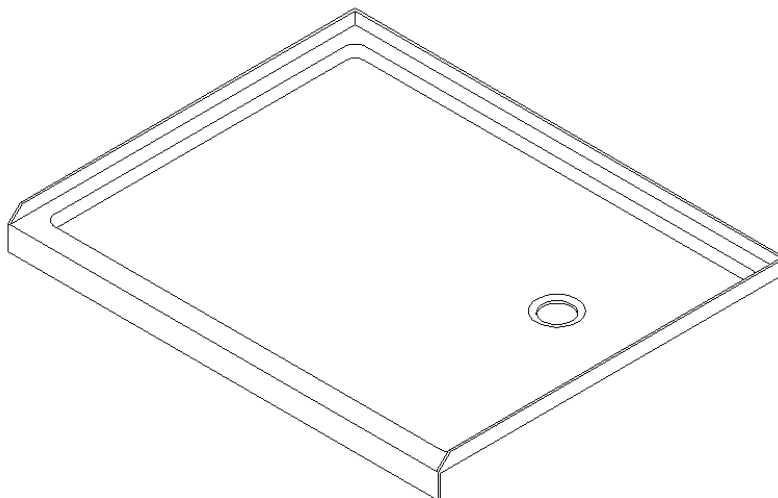
Left-Hand Drain Configuration



| MODEL | SPECIFICATION | D (in) | W (in) | D1 (in) | W1 (in) |
|-------------|---------------|--------|--------|---------|---------|
| DLT-1130601 | 30"×60" | 30" | 60" | 15" | 12" |
| DLT-1132601 | 32"×60" | 32" | 60" | 15" | 12" |
| DLT-1134601 | 34"×60" | 34" | 60" | 17" | 12" |
| DLT-1136601 | 36"×60" | 36" | 60" | 18" | 12" |

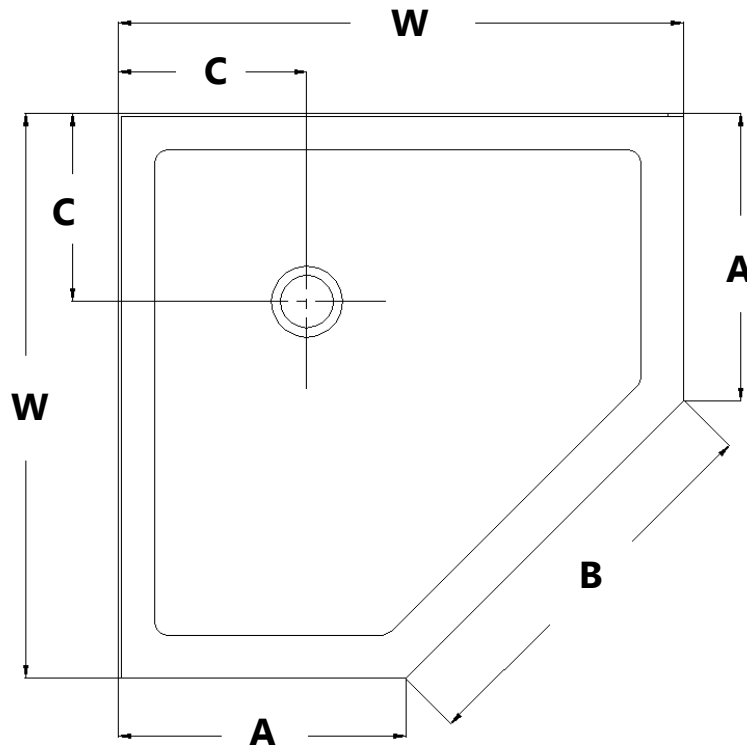
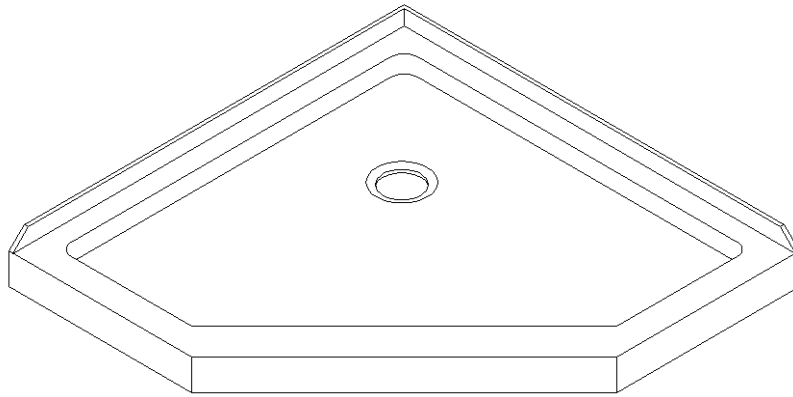
SINGLE THRESHOLD SHOWER BASE

Right-Hand Drain Configuration



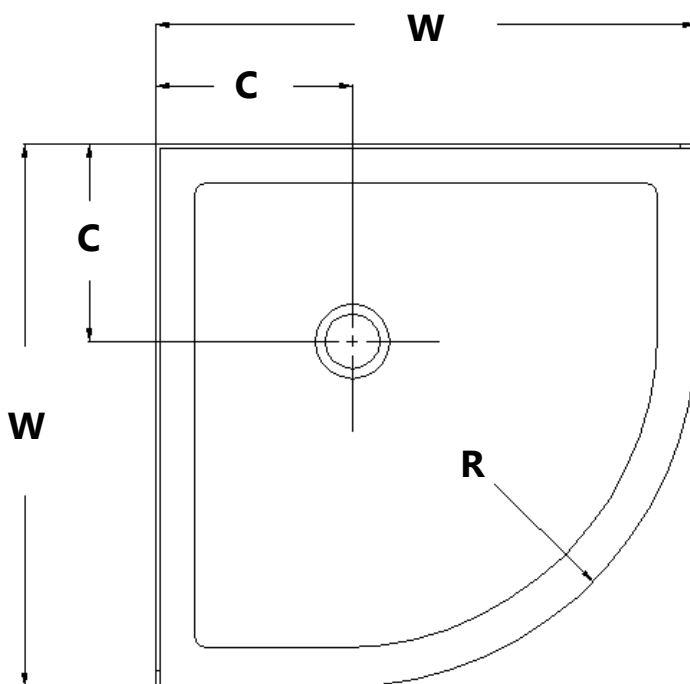
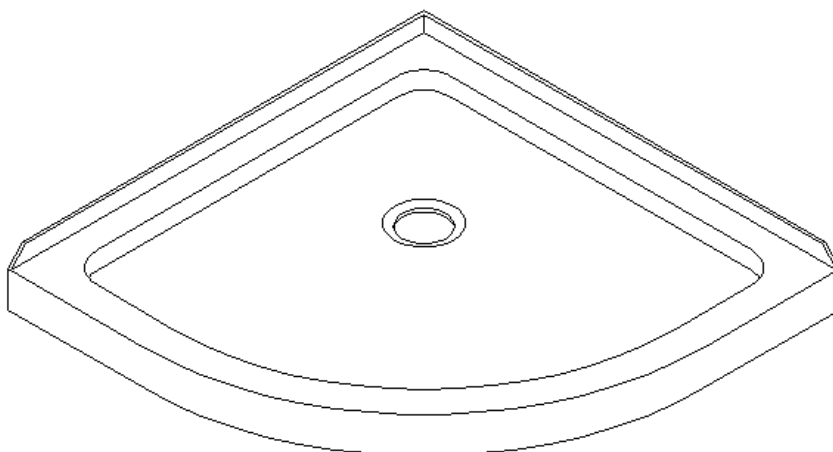
| MODEL | SPECIFICATION | D (in) | W (in) | D1 (in) | W1 (in) |
|-------------|---------------|--------|--------|---------|---------|
| DLT-1130602 | 30"×60" | 30" | 60" | 15" | 12" |
| DLT-1132602 | 32"×60" | 32" | 60" | 15" | 12" |
| DLT-1134602 | 34"×60" | 34" | 60" | 17" | 12" |
| DLT-1136602 | 36"×60" | 36" | 60" | 18" | 12" |

NEO ANGLE SHOWER BASE



| MODEL | SPECIFICATION | W (in) | A (in) | B (in) | C (in) |
|-------------|---------------|--------|----------|--------|---------|
| DLT-2036360 | 36"×36" | 36" | 18 5/16" | 25" | 12" |
| DLT-2038380 | 38"×38" | 38" | 20 5/16" | 25" | 12" |
| DLT-2040400 | 40"×40" | 40" | 22 5/16" | 25" | 14 3/8" |
| DLT-2042420 | 42"×42" | 42" | 24 5/16" | 25" | 14 3/8" |

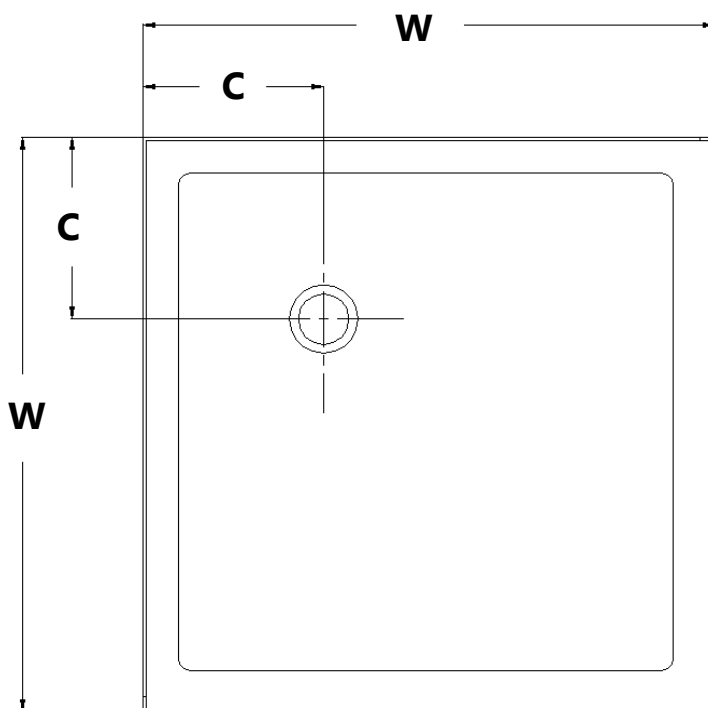
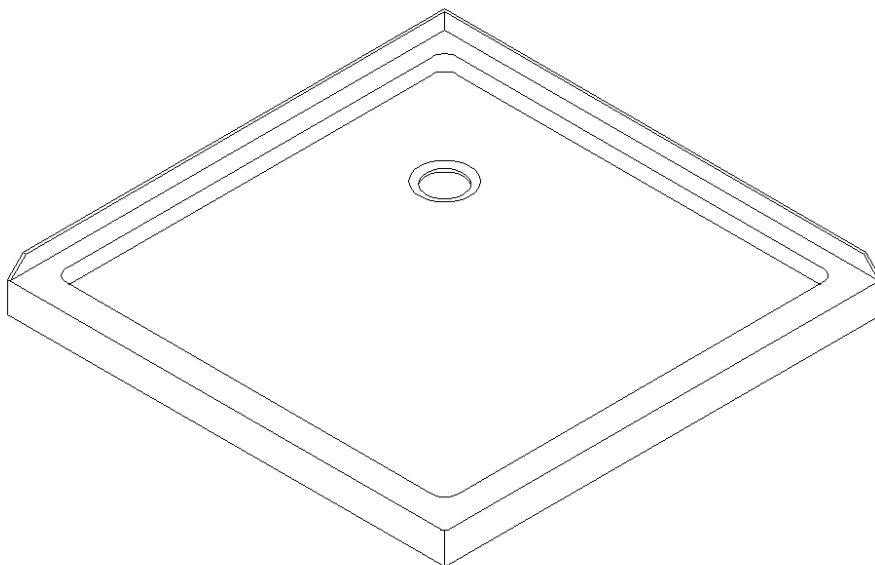
QUARTER ROUND SHOWER BASE



| MODEL | SPECIFICATION | W (in) | C (in) | R (in) |
|-------------|---------------|--------|--------|---------|
| DLT-7033330 | 33"×33" | 33" | 12" | 21 5/8" |
| DLT-7036360 | 36"×36" | 36" | 12" | 21 5/8" |
| DLT-7038380 | 38"×38" | 38" | 12" | 21 5/8" |

DOUBLE THRESHOLD SHOWER BASE

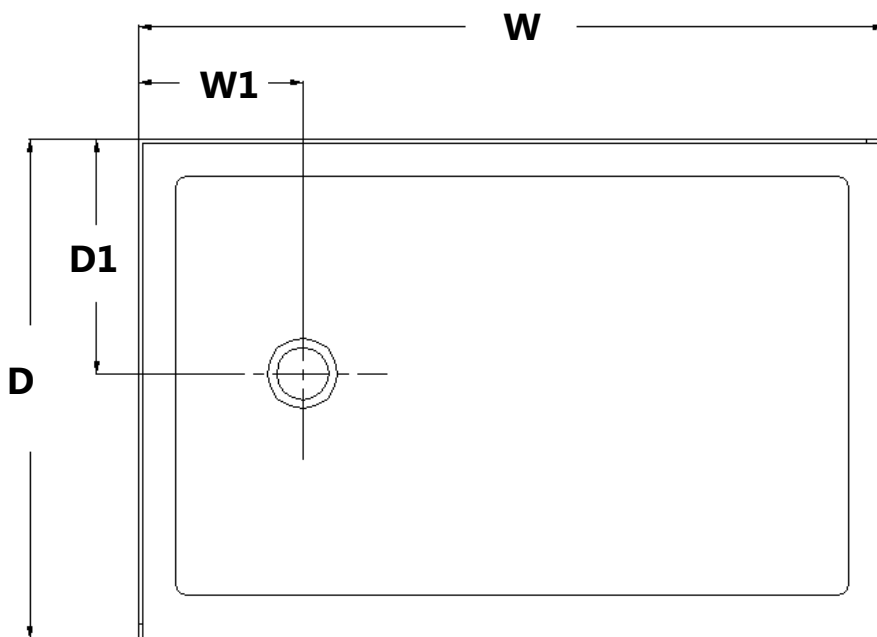
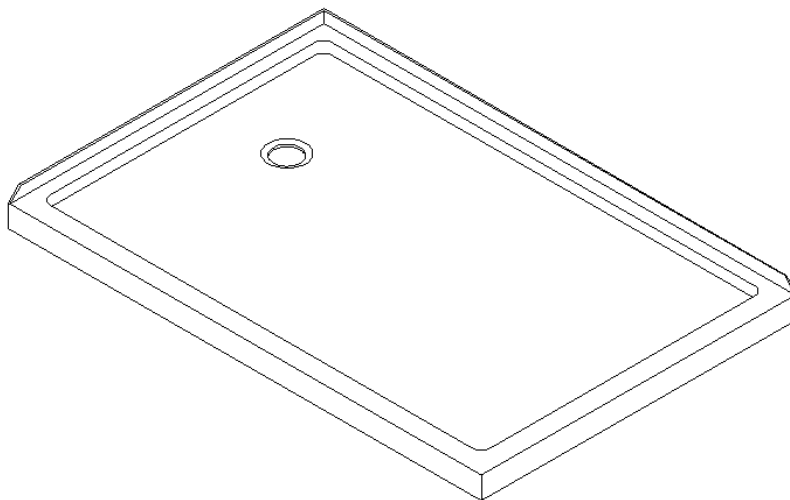
Corner Drain Configuration



| MODEL | SPECIFICATION | W (in) | C (in) |
|-------------|---------------|--------|--------|
| DLT-1032320 | 32" x 32" | 32" | 12" |
| DLT-1036360 | 36" x 36" | 36" | 12" |
| DLT-1042420 | 42" x 42" | 42" | 12" |

DOUBLE THRESHOLD SHOWER BASE

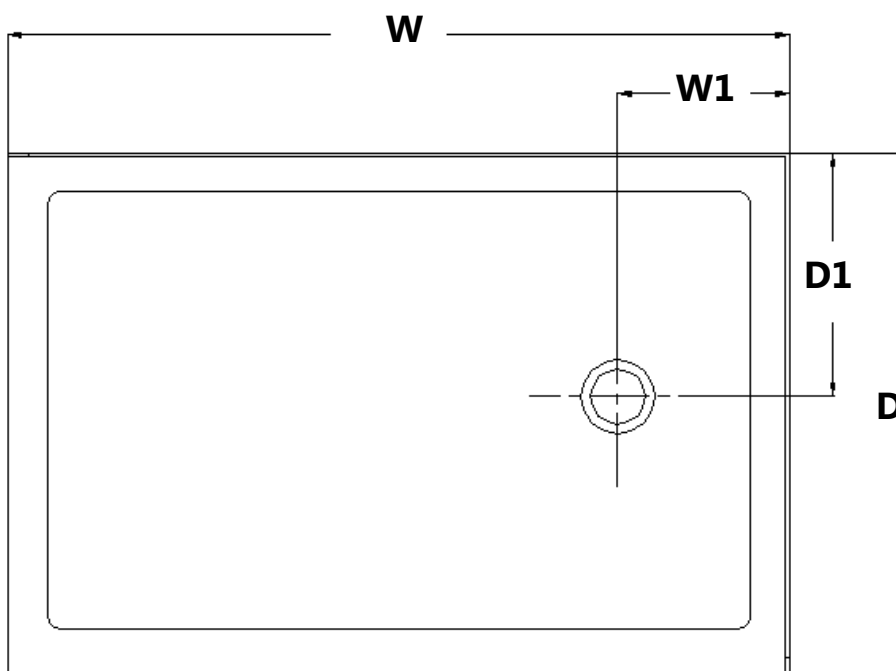
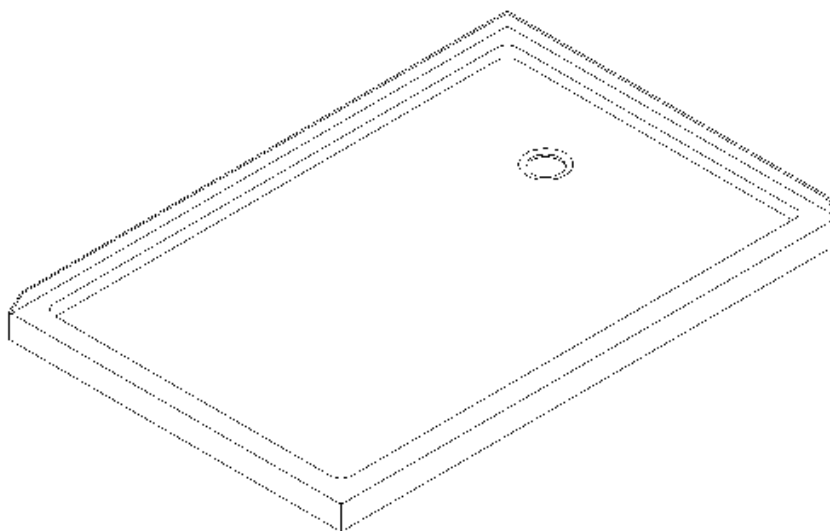
Left-Hand Drain Configuration



| MODEL | SPECIFICATION | D (in) | W (in) | D1 (in) | W1 (in) |
|-------------|---------------|--------|--------|---------|---------|
| DLT-1034481 | 34"×48" | 34" | 48" | 17" | 12" |
| DLT-1036481 | 36"×48" | 36" | 48" | 18" | 12" |
| DLT-1036541 | 36"×54" | 36" | 54" | 18" | 12" |
| DLT-1036601 | 36"×60" | 36" | 60" | 18" | 12" |

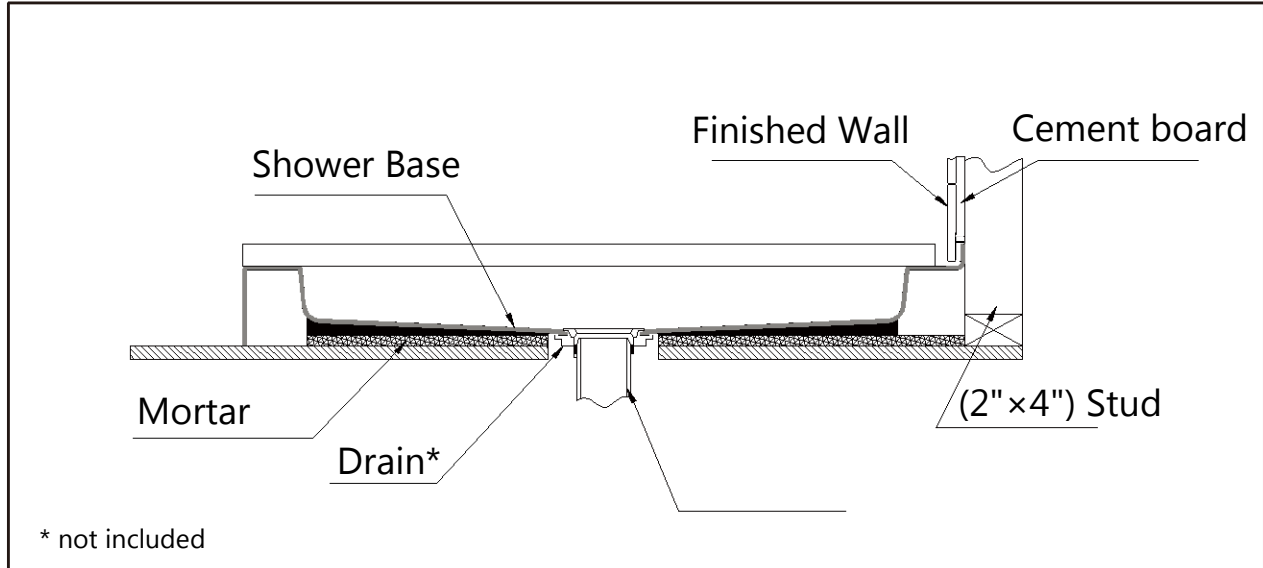
DOUBLE THRESHOLD SHOWER BASE

Right-Hand Drain Configuration



| MODEL | SPECIFICATION | D (in) | W (in) | D1 (in) | W1 (in) |
|-------------|---------------|--------|--------|---------|---------|
| DLT-1034482 | 34"×48" | 34" | 48" | 17" | 12" |
| DLT-1036482 | 36"×48" | 36" | 48" | 18" | 12" |
| DLT-1036542 | 36"×54" | 36" | 54" | 18" | 12" |
| DLT-1036602 | 36"×60" | 36" | 60" | 18" | 12" |

Shower Base Cross Section Diagram



This product should be installed by someone familiar with the construction requirements for this type of project and the care necessary for the safe installation and operation of the product.

Shower Base Installation - Preparation

1. Ensure that the floor and the studs are at right angles.
Provide a 5"×5" opening in the sub-floor for the drain.
The 2" PVC waste pipe should extend above the surface of the sub-floor according to the drain installation instructions and the height of the Shower base.
Refer to the product drawings and tables in this installation manual for the drain location.

(Fig 1a and Fig 1b)

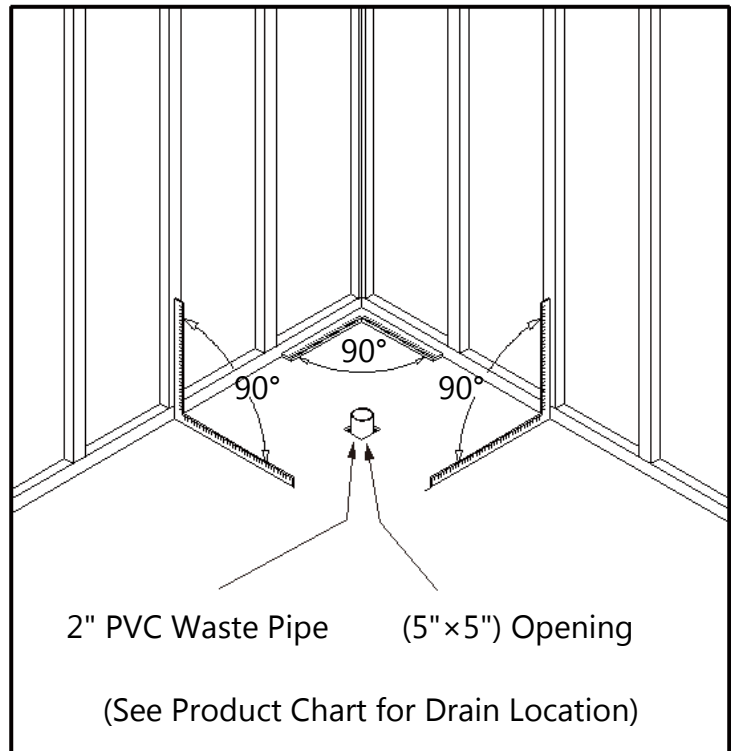


Fig 1a

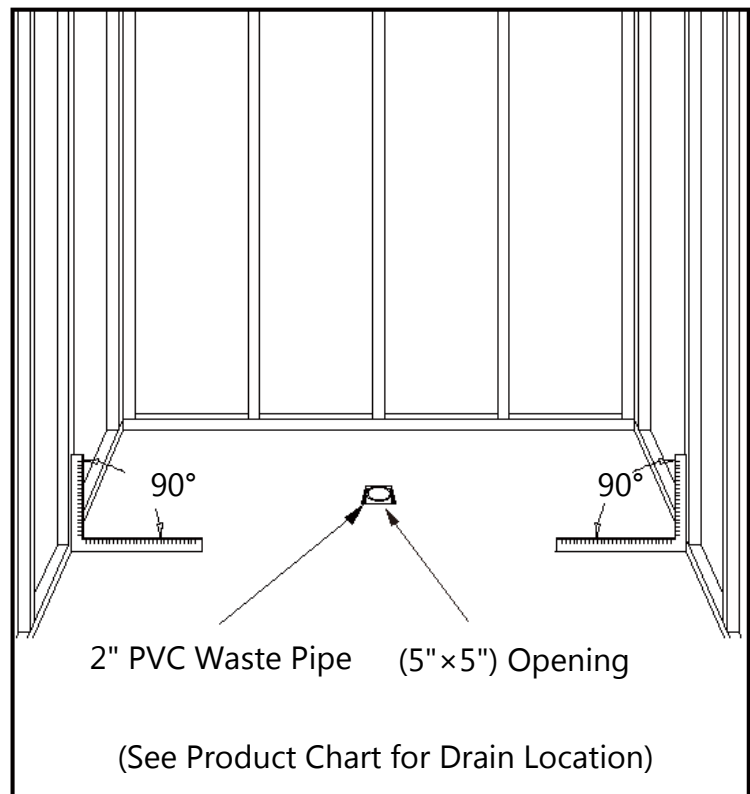


Fig 1b

2. Install the shower drain (**NOT INCLUDED**) according to the drain installation manual (supplied with the drain).

(Fig 2)

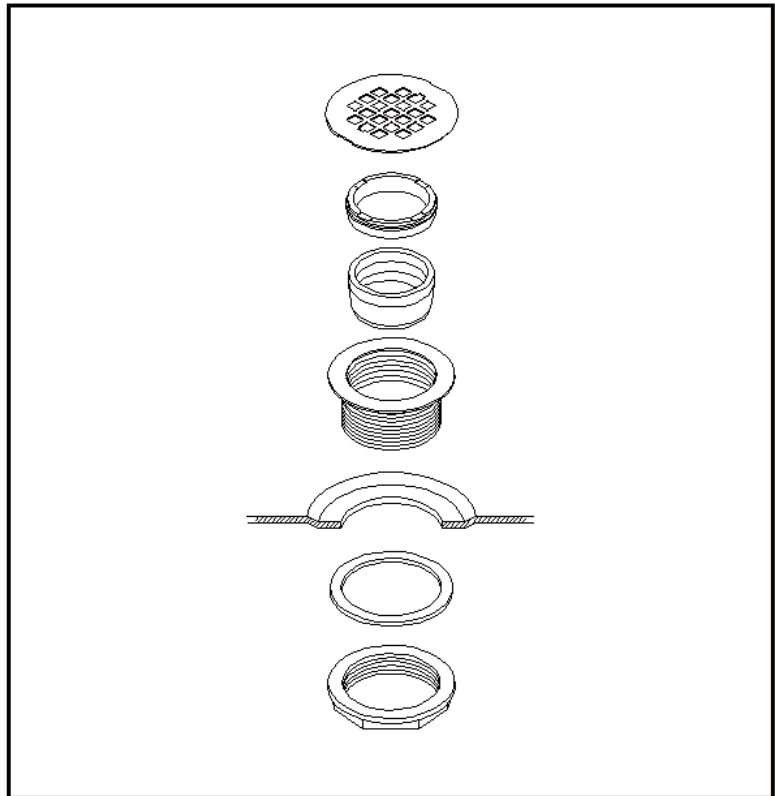
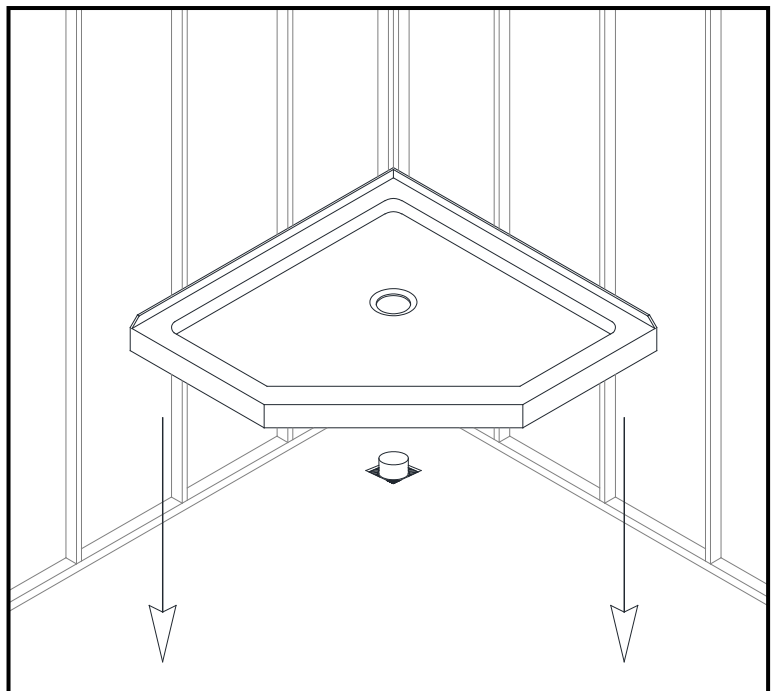


Fig 2

3. Place the tray into the designated position so that the Drain cutout drops around the Drain Pipe and butt the Shower Base up against the studs.

(Fig 3)



Lower the base over the drain pipe and set it into place against the studs.

Fig 3

4. Level the tray and place marks on the studs above the upper edge of the tile flange.

(Fig 4)

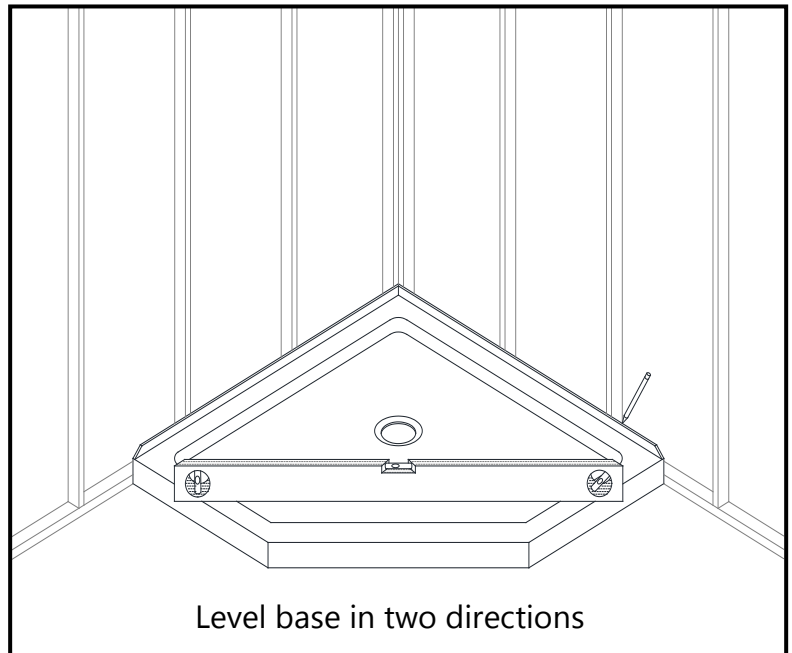


Fig 4

5. Mix the bedding material (Mortar, cement-sand mix, etc.) **Concrete or plaster is not recommended.** Apply enough bedding material to support the entire bottom of the shower base. This will add additional stability and prevent the base from shifting position.

(Fig 5)

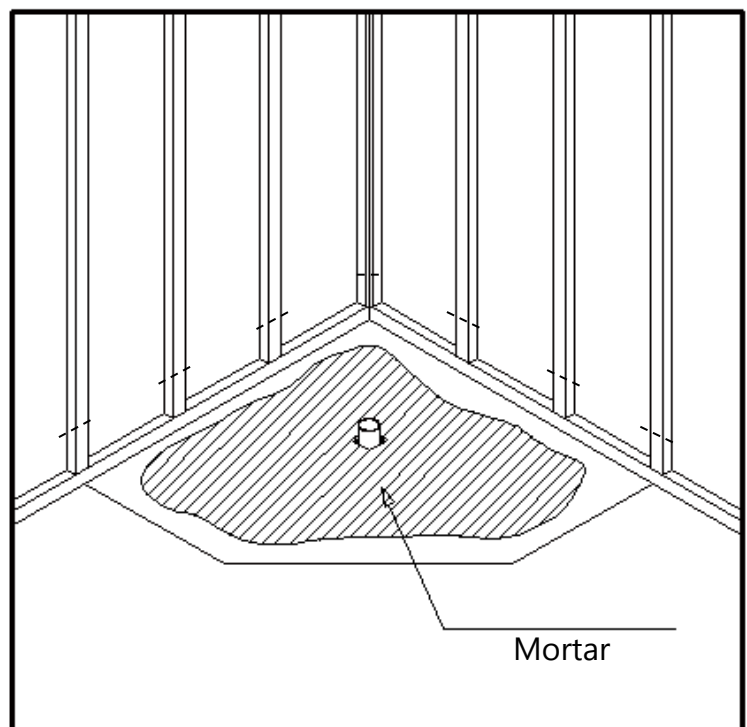


Fig 5

6. After the bedding material has been poured and *before* it sets, place the shower base into the position with the drain assembly sliding over the PVC waste pipe. It will be necessary to push the shower base until the top of the tile flange aligns with the marks drawn on the studs and the front edge is contacting the rough floor along the entire length of the shower base. Ensure that the base is level in all directions. You may need to use shims to hold the tray level until the bedding fully sets. Remove all excess mortar.

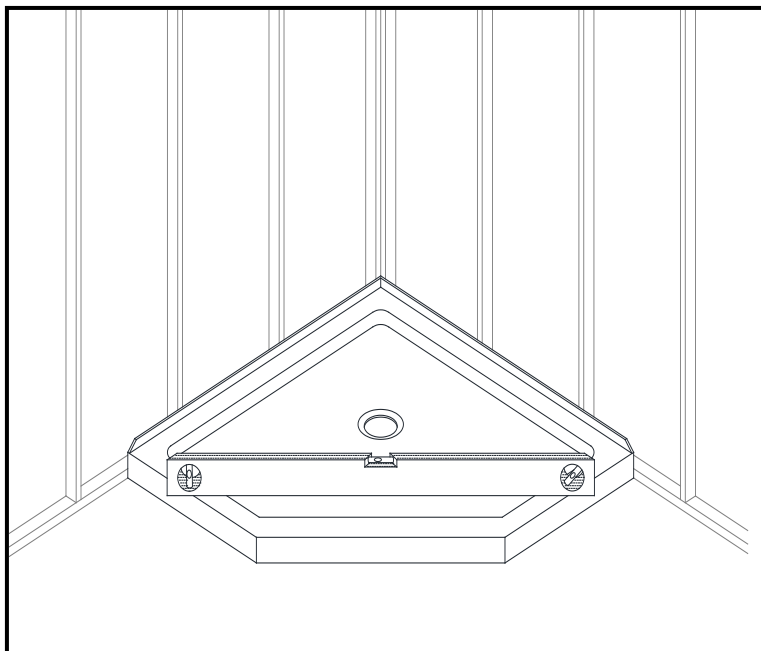


Fig 6

7. Allow the bedding material to completely harden before applying weight to the bottom of the shower base.

Install the cement board (or the wallboard) above the tile flanges and secure it to the studs. Put the tiles (or other finishing wall material) over the cement board leaving 1/8" gap between the bottom of the tile or wall kit and the shower base. Use caulk to fill the gap.

(Fig 7a and Fig 7b)

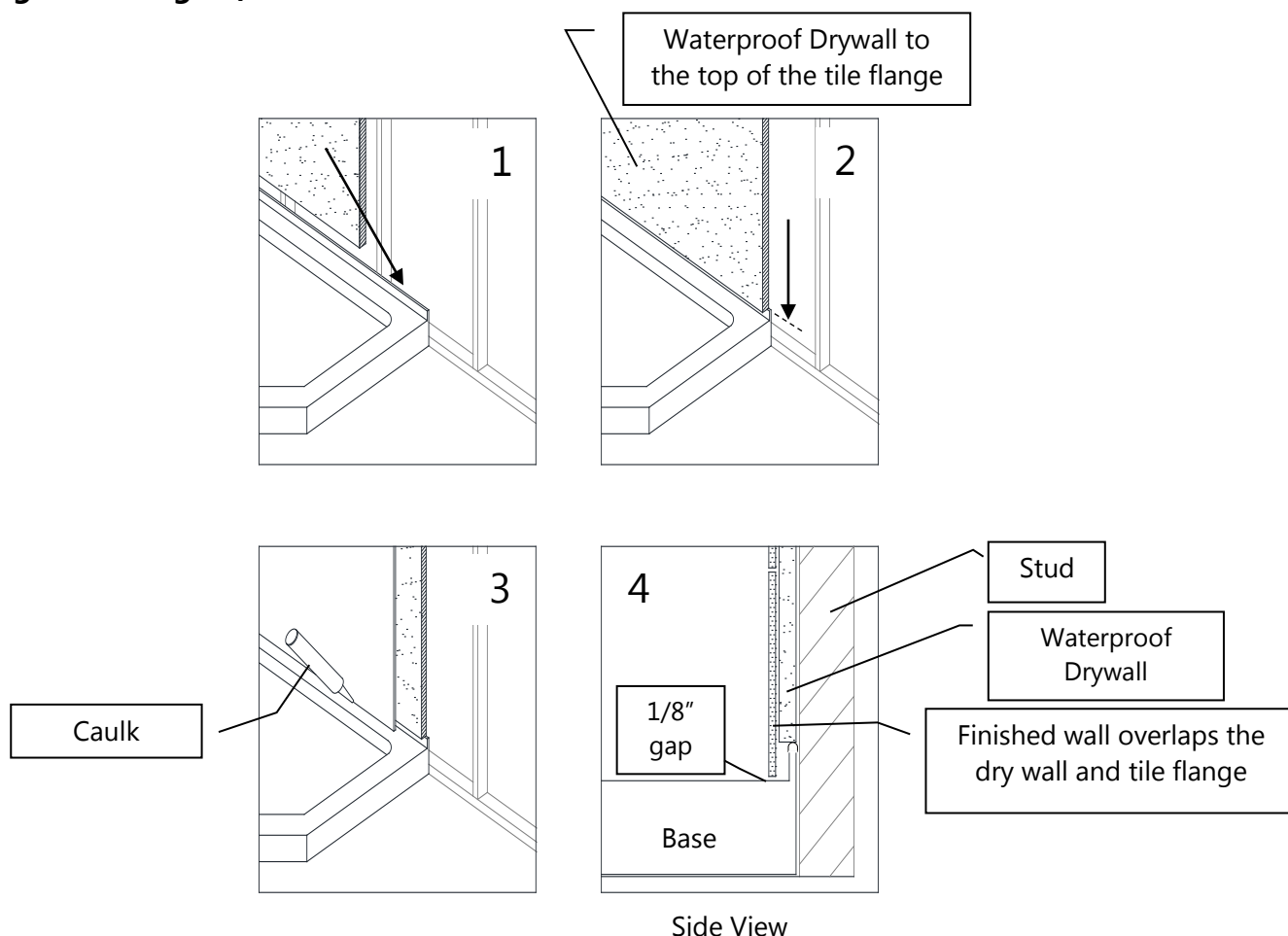


Fig 7a

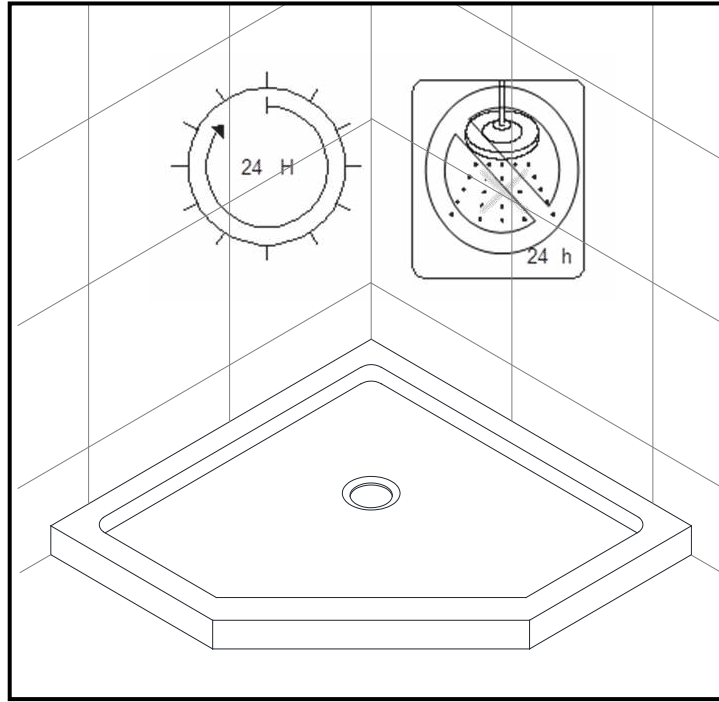


Fig 7b

Product Maintenance

BASES and BACKWALLS: To ensure long lasting life for your acrylic base and/or back walls: wipe them off after each use with a soft cloth. To clean the acrylic base or back walls use non-abrasive sprays or cream-based cleaners. Avoid the use of aerosol spray cleaners. Never use abrasive cleansers, metal brushes or scrapers that could scratch or dull the surface.

GLASS: To ensure long-lasting life for your glass shower products: wipe them off after each use with a soft cloth. Rinse and wipe off the glass using either a soft cloth or a squeegee to prevent soap buildup and water spots (Hard water can etch the surface of the glass over time if left to dry). To prevent scratching the surface: never use abrasive cleaners or cleaning products that contain scouring agents. Never use bristle brushes or abrasive sponges that may scratch the surface.

HARDWARE: To ensure a long-lasting finish: wipe off the metal parts after each use with a soft cloth. Do not use abrasive cleaners or cleaning products containing ammonia, bleach or acid. If accidentally used, rinse the surface as soon as possible to prevent damage to the finish (peeling or corrosion). After cleaning the polished finishes, rinse thoroughly and wipe dry with a soft cloth.

Clean stainless-steel surfaces at least once a week. When applying stainless steel cleaner or polish to stainless steel hardware, work with (not across) the grain. Never use an abrasive sponge or cloth, steel wool or wired brush as these may permanently scratch the surfaces.

NOTE: To maximize the life of your door, it is important to regularly inspect the glass and other hardware for misalignment, proper attachment, and/or damage. Contact DreamLine with any questions or concerns.



TEL: [866-731-2244](tel:866-731-2244)

FAX: [866-857-3638](tel:866-857-3638)

DREAMLINE.COM

For more information on [DreamLine® Shower Doors](http://DreamLine.com) and [Enclosures](http://DreamLine.com) please visit DreamLine.com

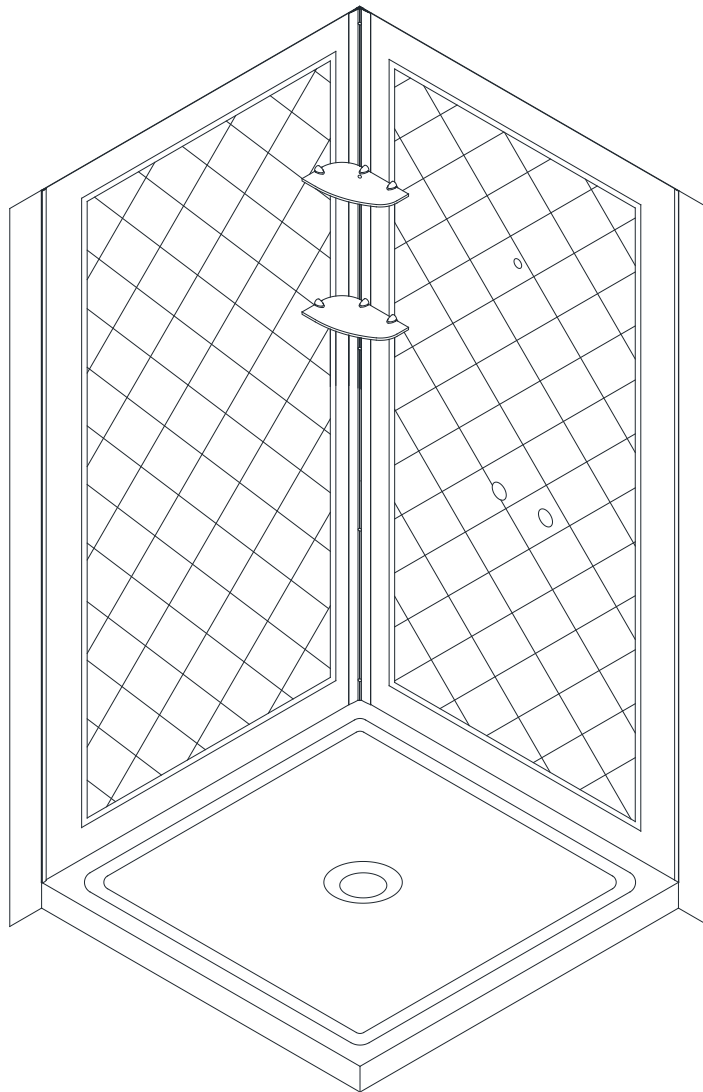


QWALL – 4

ACRYLIC SHOWER WALL INSTALLATION INSTRUCTIONS

IMPORTANT

DreamLine™ reserves the right to alter, modify or redesign products at any time without prior notice. For the latest up-to-date technical drawings, manuals or any other details please refer to your model's web page on BathAuthority.com



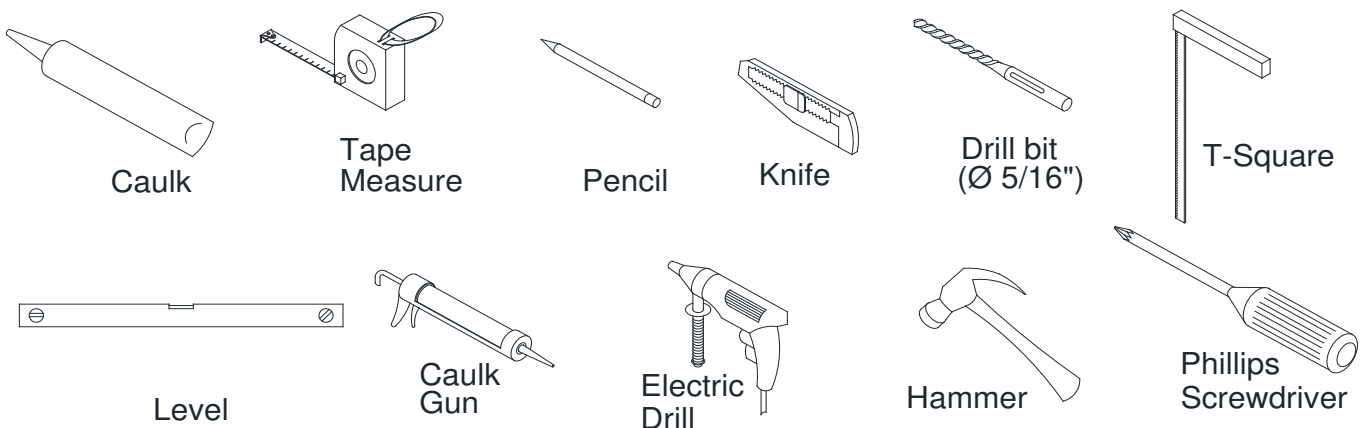
Please read these instructions carefully before installing. If you have any questions regarding installation, please contact our technical support specialists Monday through Friday 8:00 AM – 7:00 PM EST at Phone: [1-866-731-2244](tel:1-866-731-2244), Fax: [1-866-857-3638](tel:1-866-857-3638) or e-mail our technical support group at Support@BathAuthority.com

For more information on [DreamLine™ Shower Back Wall](http://www.BathAuthority.com) please visit www.BathAuthority.com

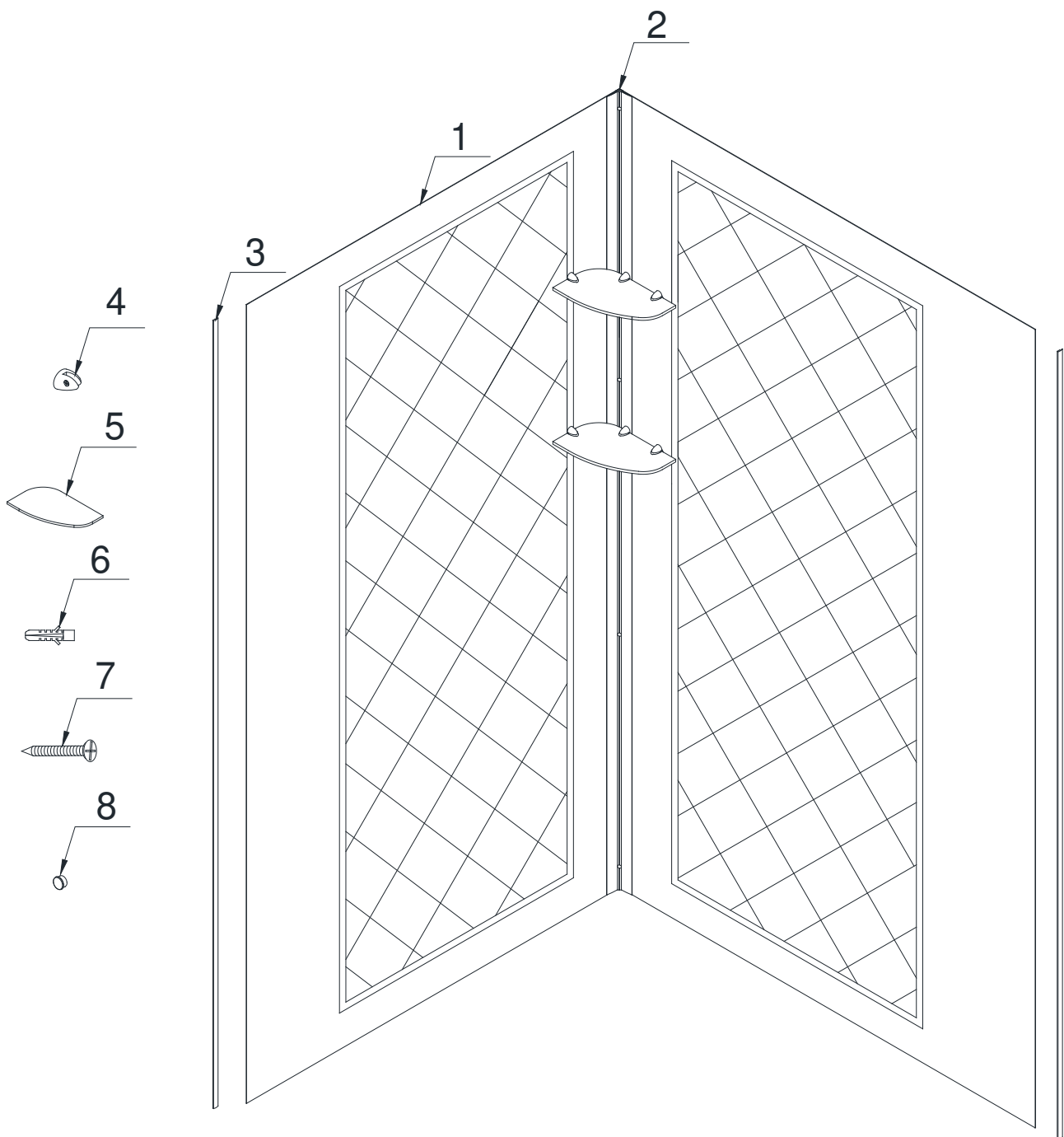
Preparation

1. Prior to installation, examine all boxes and packages for shipping damage and compare the piece count with your packing slip. After opening all boxes and packages read this introduction carefully. Check that all of the needed parts are included in the package by checking off the components on the "Detailed Diagram of Acrylic Shower Wall Components". If the unit has been damaged, has a finishing defect, or has missing parts, please contact our customer support department within **3 business days** of the delivery date. Please note that **DreamLine™ will not replace any damaged products or missing parts free of charge after 3 business days or if the product has been installed.** Feel free to contact DreamLine™ if you have any questions, and please provide an order number, job name or other proof of purchase to help us identify your original order.
1. **Please note that you should consult your local building codes with questions on installation compliance standards. Building and plumbing codes may vary by location, and DreamLine is not responsible for code compliance standards for your project.**
2. This acrylic wall system is specially designed to be installed over any solid surface. If you are installing the acrylic walls over the existing tiles, remove all loose tiles before the installation. If you are installing over the existing painted walls, take all loose paint off. Please, note that some cutting and drilling might be necessary during the installation process.
3. Make sure to turn off the water supply, remove faucet, handles or any fixture trims protruding from the wall. Clean the surface removing soap film and dirt from all wall surfaces using regular household detergent, and then wipe it dry.

Tools Required



Detailed Diagram of Acrylic Shower Wall Components



Packing List

| | | | | | |
|----|-------------------------|------|----|----------------------------|-------|
| 01 | Side panel | 2pcs | 05 | Glass shelf | 2pcs |
| 02 | Corner cover | 1pc | 06 | Wall anchor | 11pcs |
| 03 | Decorative edge molding | 2pcs | 07 | Countersunk screw ST4.2×40 | 11pcs |
| 04 | Shelf bracket | 6pcs | 08 | Decorative cover | 5pcs |

NOTE: Unpack your unit carefully and inspect it. Lay it out and identify all parts using the detailed diagram and packing list in your manual as a reference. Before discarding the carton, check for small hardware bags that may have fallen to the bottom of the box. If any parts are damaged or missing, please contact DreamLine™ for replacement. The shipping boxes may contain extra parts not used in your model configuration.

NOTE: Retain these installation instructions for future reference.

Preparation for Installation of Side Panel

ATTENTION:

If you are installing a shower enclosure with a wall profile, you can hide the edge of the **Side panel (01)** behind the wall profile.

See Fig. 1 for details.

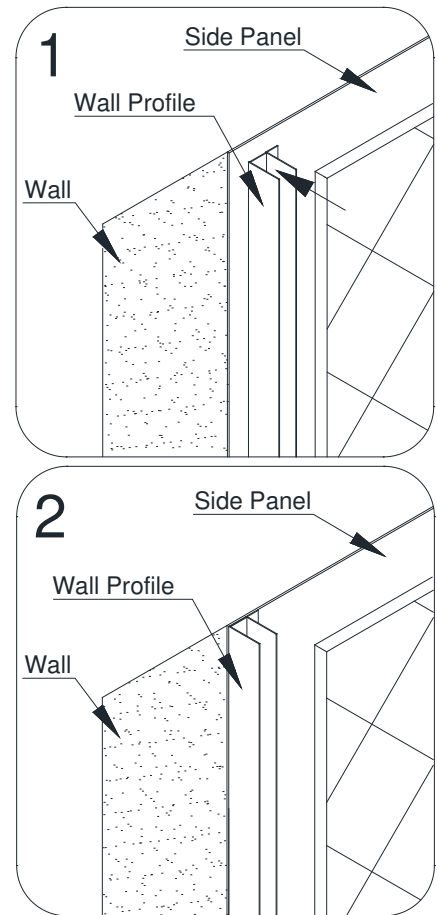


Fig. 1

1. Place a mark on the walls with a distance of **1" (one inch)** from the corner and draw a plumb vertical line from top to bottom.

See Fig. 2 for details.

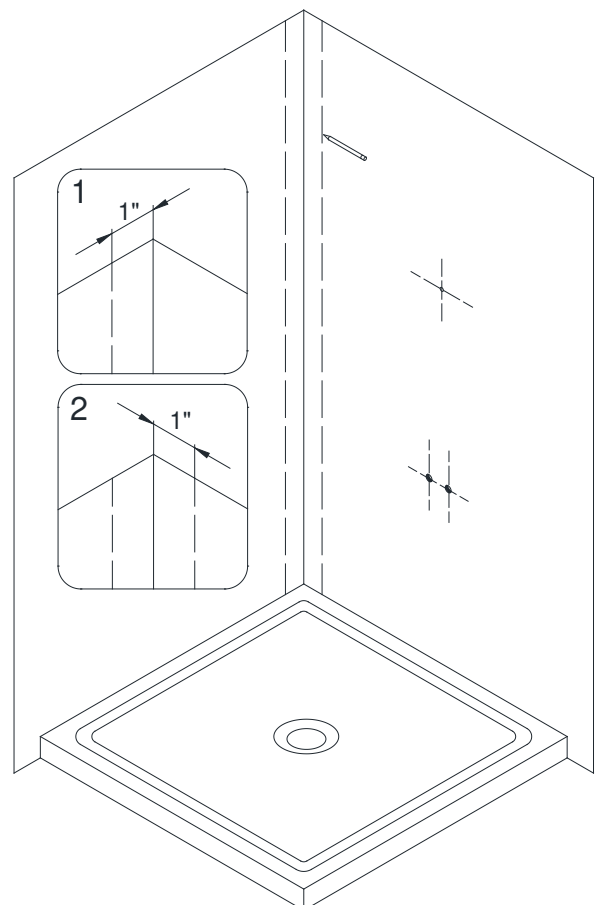


Fig. 2

2. Measure the walls of the shower from the **1" (one inch)** line in the corner (from Step 1) to the points where you want **Side panels (01)** to end.
The distances are "**D1**" and "**D2**".

NOTE:

"D2" Shows wall with the fixture.

See Fig. 3 for details.

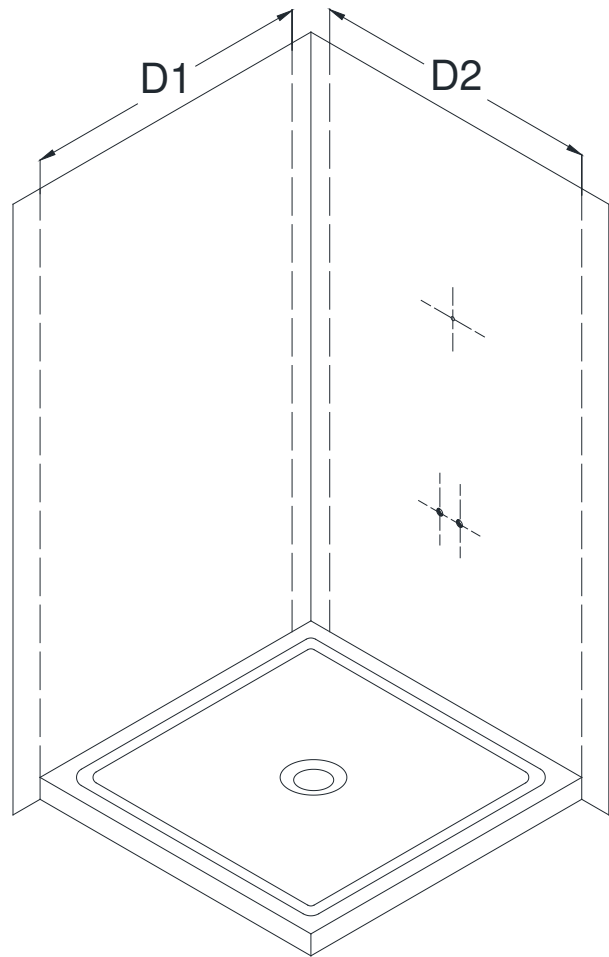


Fig. 3

3. Determine the position of both **Side panels (01)**.

NOTE:

- The narrow edge of the **Side panels** fits behind the corner cover and cannot be trimmed.
- The wide edge of the **Side panel** can be trimmed to the size of your measurements from step 2.

Measure from the narrow edge of the **Side panel** and place a mark at a distance of "**D1**" and "**D2**" (that you measured in Step 2). Draw a straight line from top to bottom along the wide edge of the **Side panel**.

See Fig. 4 for details.

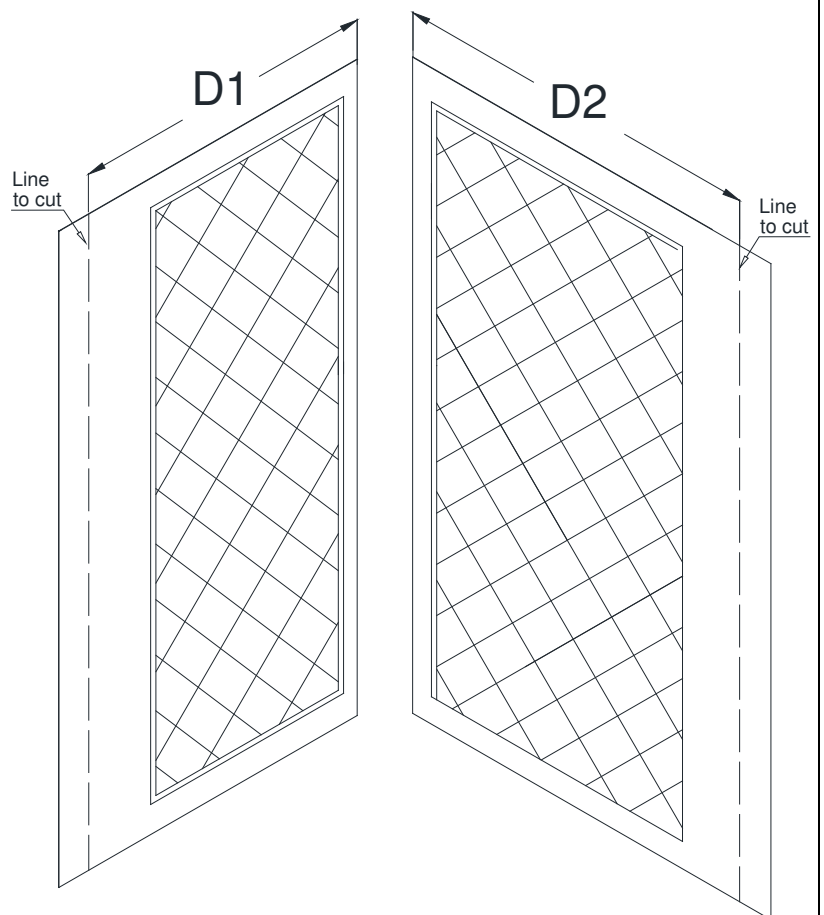


Fig. 4

4. Place the **Side panel (01)** on a flat piece of plywood or particle board. Use a sharp industrial knife and a T-square to score along the marked wide ends of the **Side panel** and continue scoring until you have fully cut through the panel.

See Fig. 5 and Fig. 6 for details.

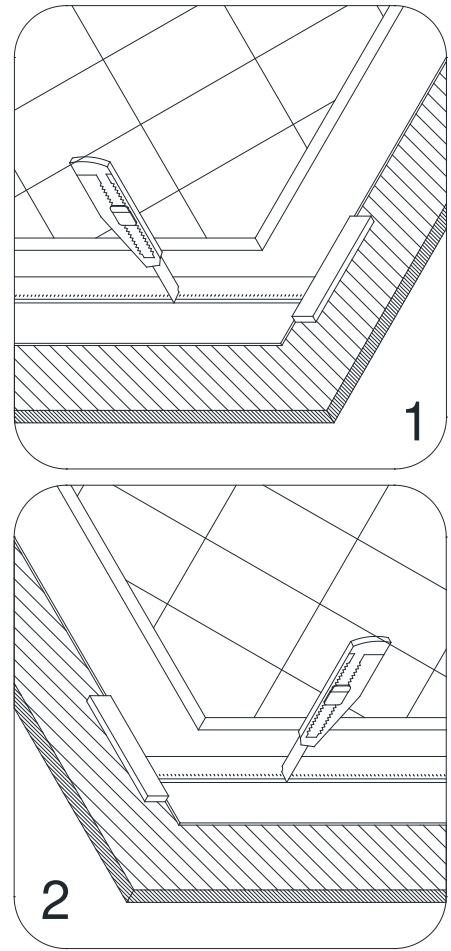


Fig. 5

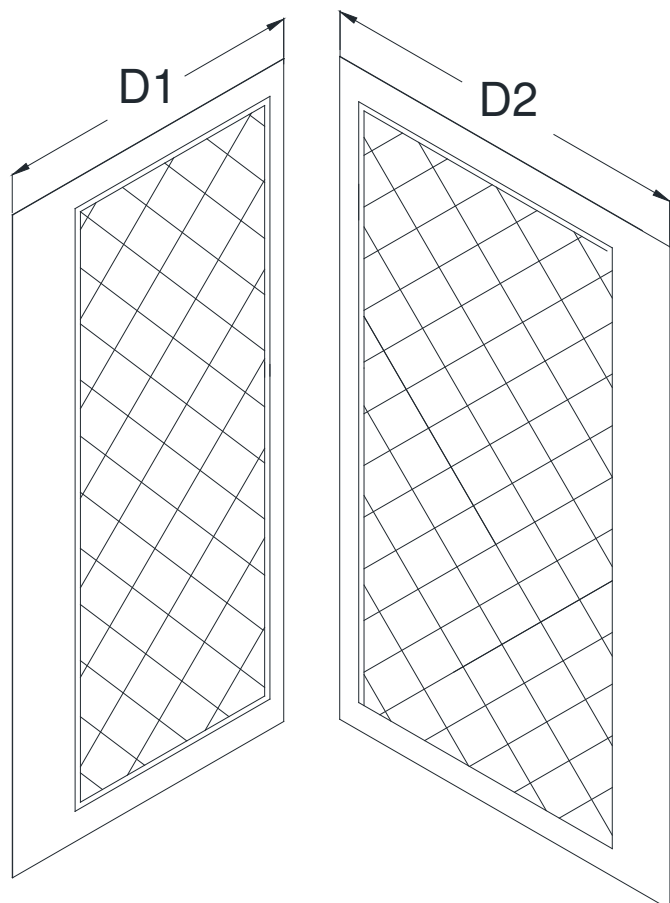


Fig. 6

5. Take exact measurements of the fixture on the wall:

- from the **1" (one inch)** line in the corner of the shower to the fixture:
(A, B, C)
- from the bottom of the wall of the shower to the fixture:
(E, F).

See Fig. 7 for details.

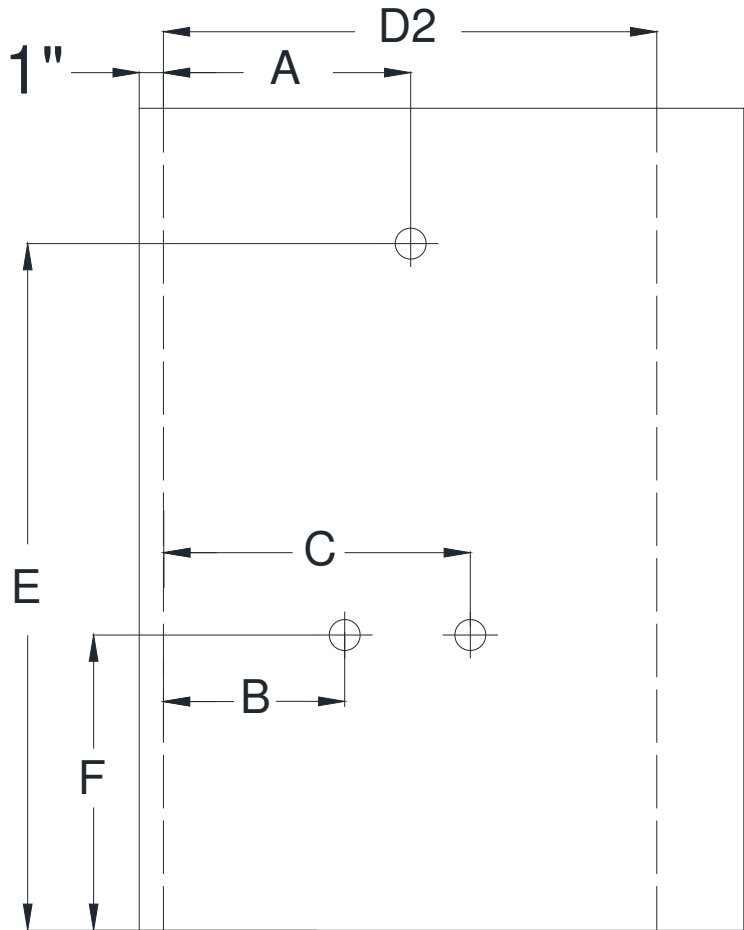


Fig. 7

6. Determine which **Side panel (01)** will be installed on the side wall with the fixture. Mark the fixture location on the **Side panel** according to the measurements taken in Step. 5.

See Fig. 8 for details.

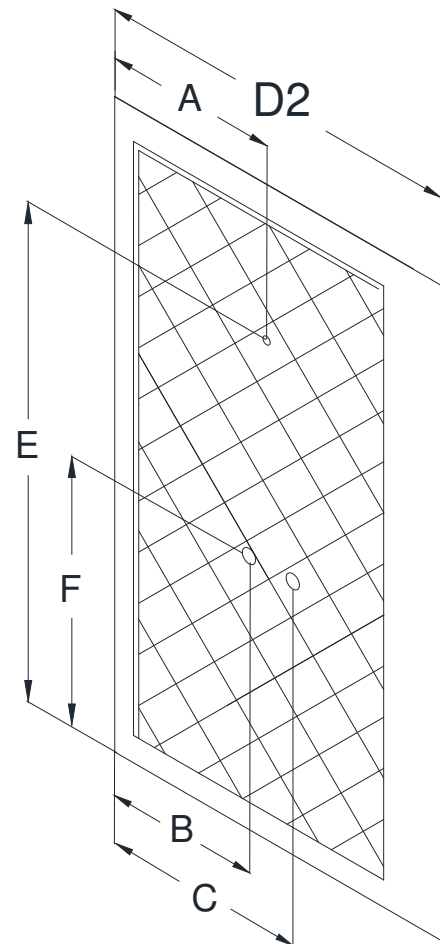


Fig. 8

7. Drill the holes for the fixtures in the **Side panel (01)** using the proper diameter saw bit or a handheld jig saw.

See Fig. 9 for details.

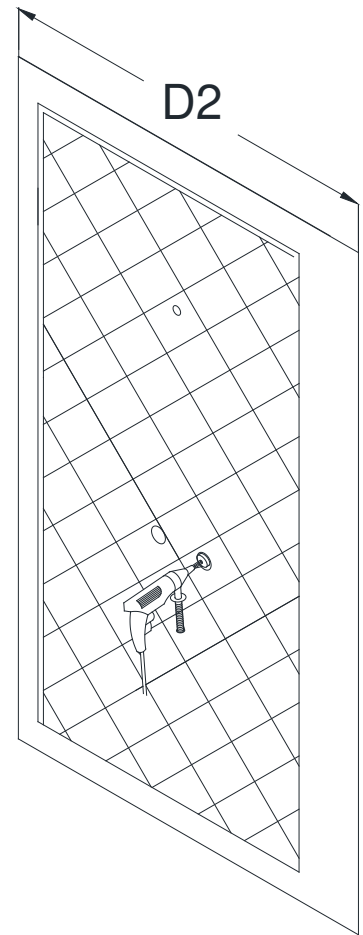


Fig. 9

Acrylic Side Panel **Installation Instruction**

8. Attach the **Corner cover (02)** to the corner of the shower and mark the drilling holes through the predrilled holes in the **Corner cover**.

Move aside the **Corner cover**,
Drill the holes using **Ø5/16"** drill bit and insert the **Wall Anchors (06)**.

See Fig. 10 and Fig. 11 for details.

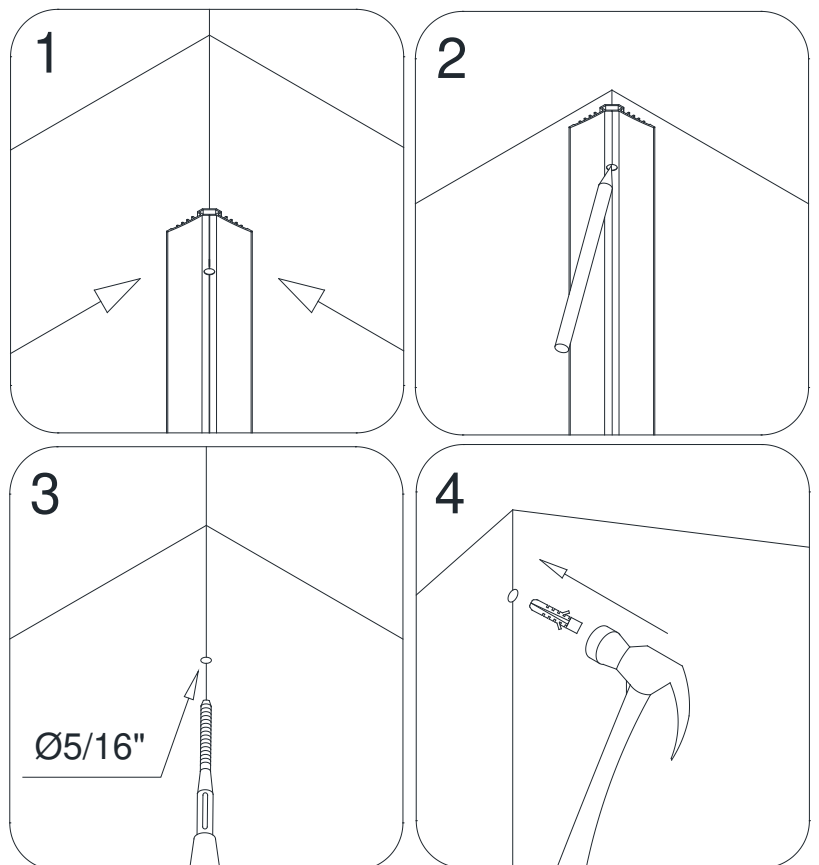


Fig. 10

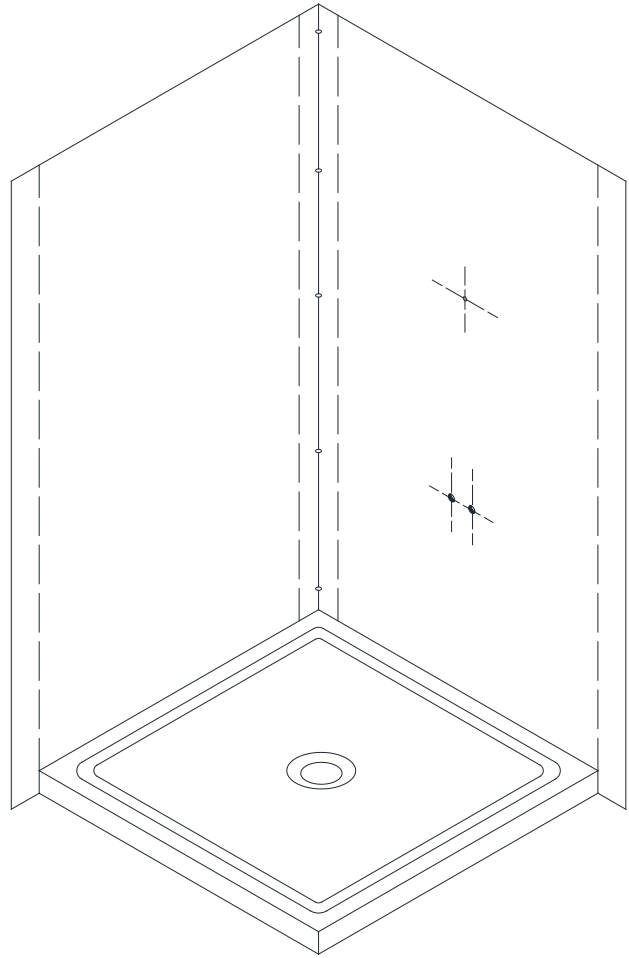


Fig. 11

9. Mount the **Corner cover (02)** to the corner of the shower using the **Countersunk screws ST4.2×40 (07)**. Do not fully tighten the screws at this time; leave them loose for further installation.

See Fig. 12 and Fig. 13 for details

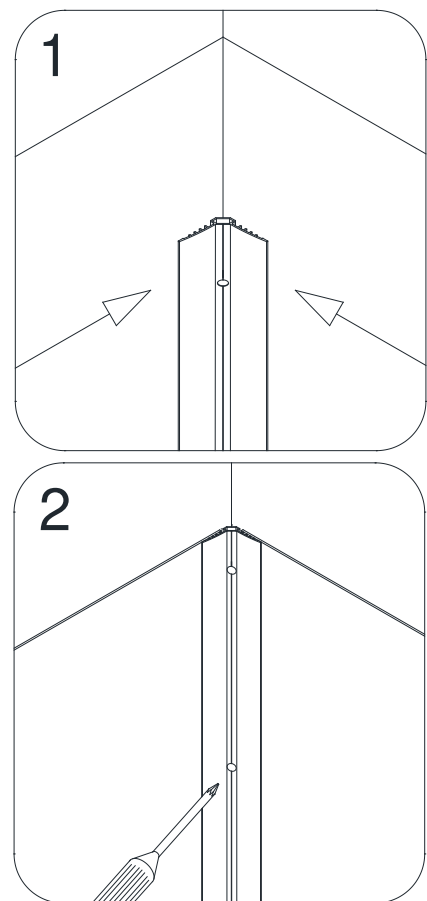


Fig. 12

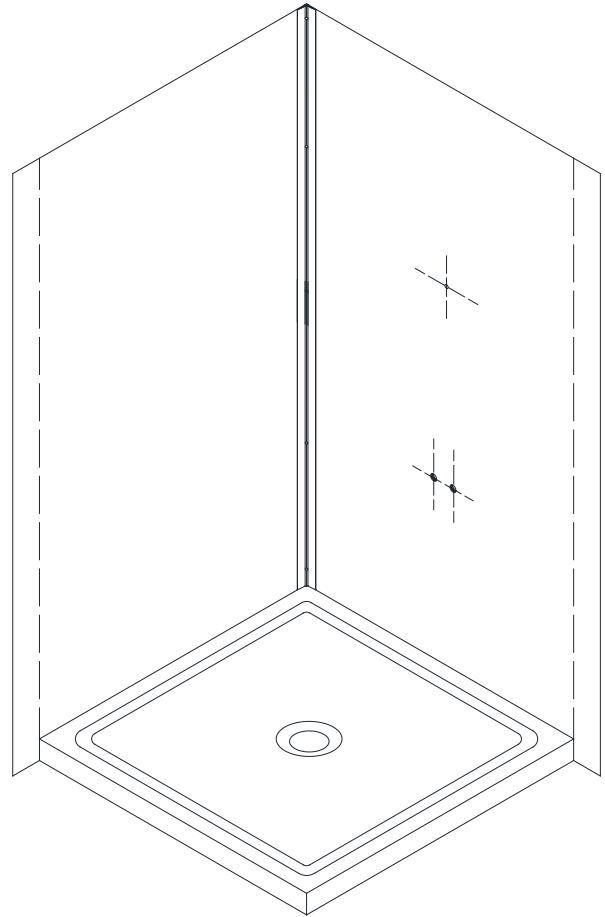


Fig. 13

10. Apply the sealant to the entire surface of the reverse side of the **Side panel (01)**. Also, apply the sealant around the drilled holes.

See Fig. 14 for details.

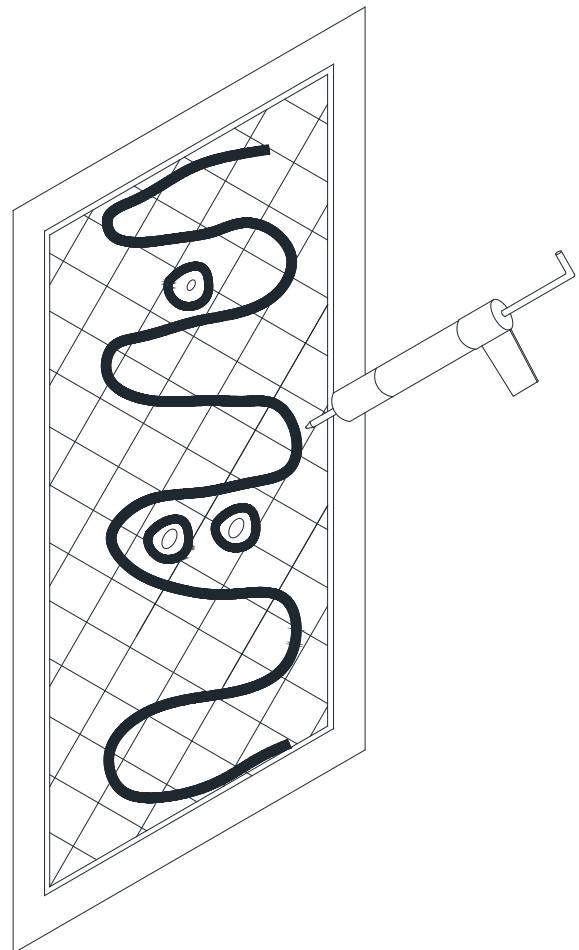


Fig. 14

11. Slide the narrow edge of the **Side panel (01)** behind the **Corner cover (02)**. Align trimmed edge of the **Side panel (01)** with the marked line on the wall (in Step. 2) and push the **Side panel** against the wall.

NOTE:

Make sure the drilled holes on the **Side panel** are also aligned with the fixtures on the wall.

See Fig. 15 for details.

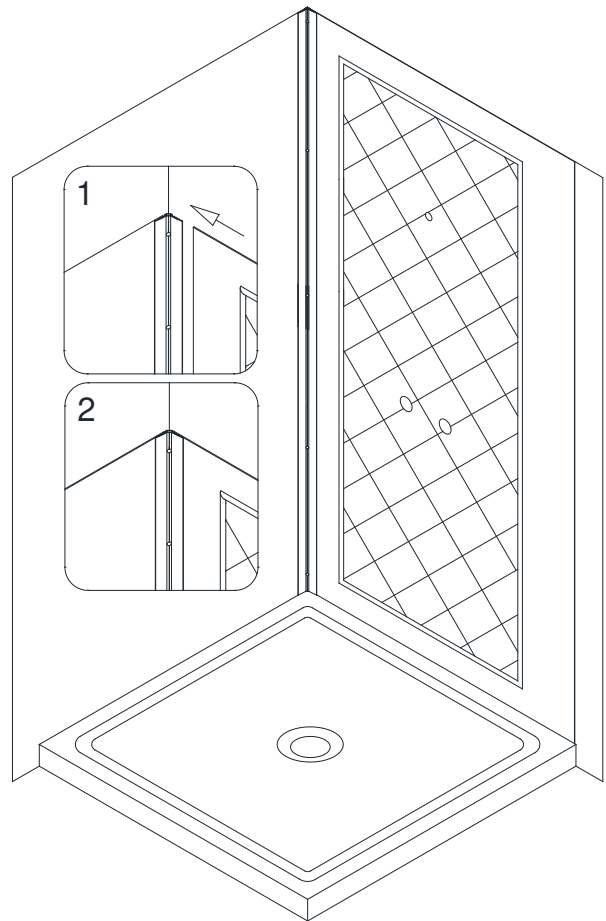


Fig. 15

12. Apply sealant to the entire surface of the reverse side of the other **Side panel (01)**.

See Fig. 14 for details.

13. Slide the narrow edge of the **Side panel (01)** behind the **Corner cover (02)**. Align trimmed edge of the **Side panel (01)** with the marked line on the wall (in Step. 2) and push the **Side panel** against the wall.

Align the top of both **Side panels** and the **Back panel** before the sealant sets. Apply equal pressure to the whole surface of the Acrylic panels from top to bottom.

See Fig. 16 for details.

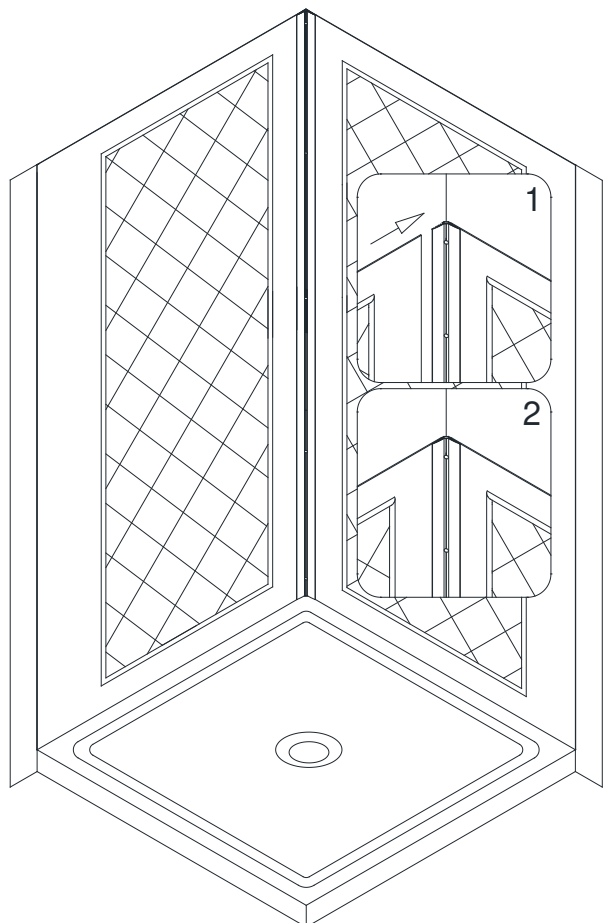


Fig. 16

14. Once **Side panels (01)** aligned, fasten tight the **Corner cover (02)** to secure the **Side panels**. Cover the screw holes with the **Decorative cover (08)**.

See Fig. 17 for details.

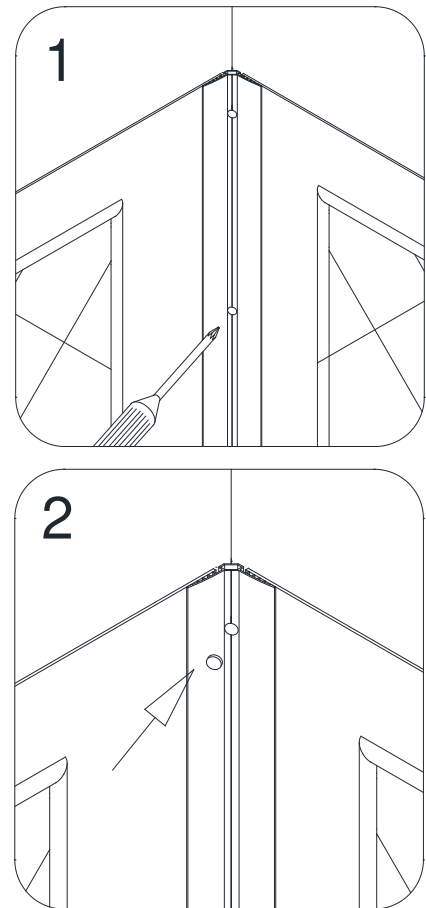


Fig. 17

ATTENTION:

Prior to the next step, please be sure the part of the wall for installation of the Decorative edge molding (03) is clean, dry and free from soap, oil and any construction debris.

15. Gently remove the plastic tape from the adhesive side of the **Decorative edge molding (03)** and firmly press it to the edge of the **Side panel (02)** from top to bottom.

See Fig. 18 for details.

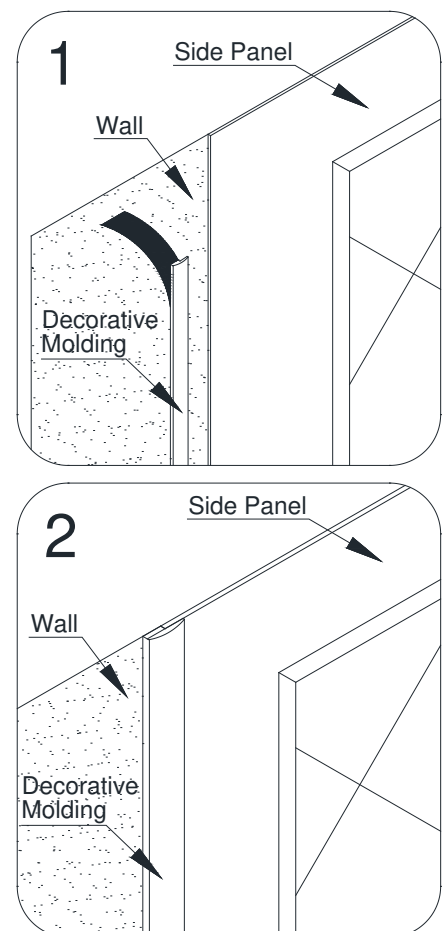


Fig. 18

16. Apply caulk along the top edge of the **Side panels (01)** and along the connection of the bottom edges of the **Side panels** with the Shower base.

See Fig. 19 for details.

ATTENTION:

Installation of "QWALL-4" Acrylic shower wall is complete.

If you want to install **Glass shelves (05)** to your Shower, follow to the next step.

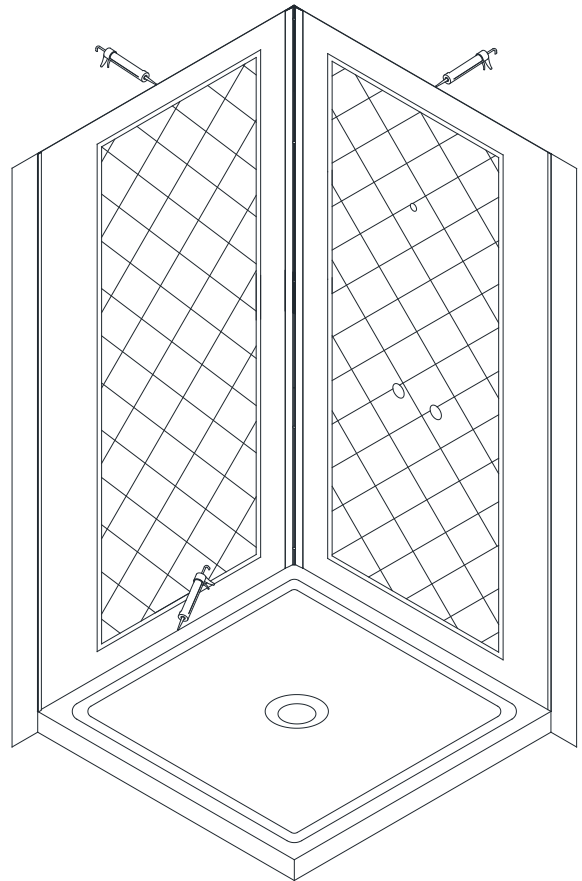


Fig. 19

Glass Shelves Installation Instruction

17. Determine the desired height for the **Glass shelves (05)** and mark the locations on the wall.

NOTE:

The **Glass shelves** can be installed either two in one corner, or one in each.

See Fig. 20 for details.

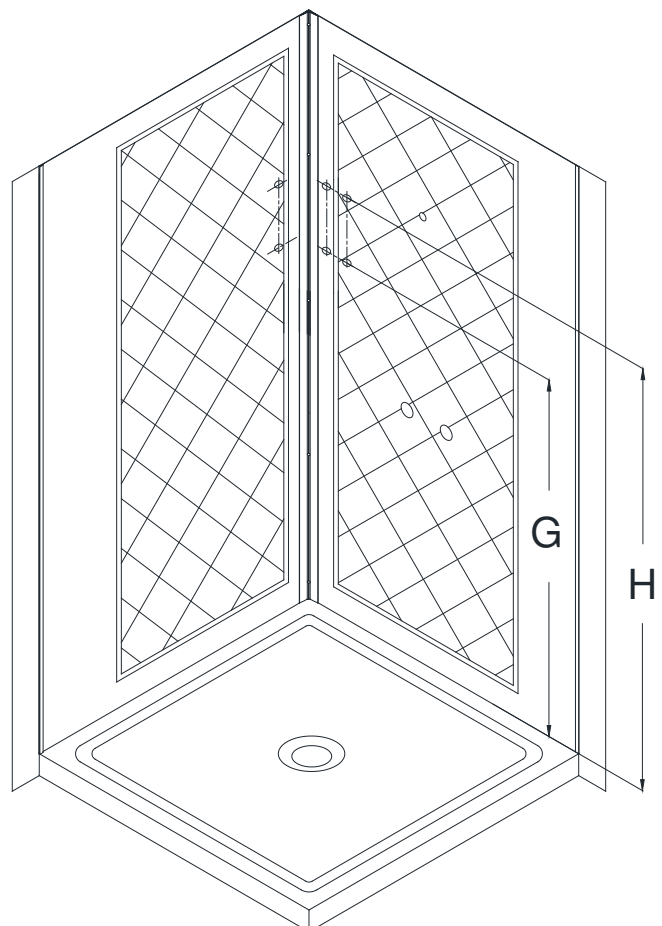


Fig. 20

18. Mark the location for the **Shelf brackets (04)** according to the measurements in Fig. 20 and Fig. 21.1.
 Drill the holes using **Ø5/16"** drill bit and insert the **Wall anchors (06)**.

See Fig. 21 for details.

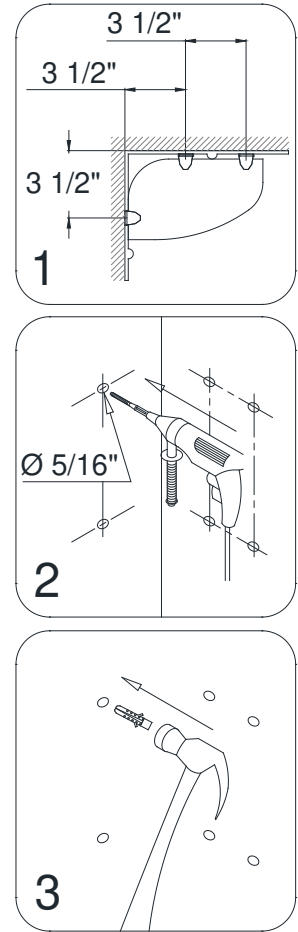


Fig. 21

19. Mount the **Shelf brackets (04)** to the wall using the **Countersunk screws ST4.2×40 (07)**.

NOTE: the padded set screw of the Glass bracket should be facing down.

Slide the upper **Glass shelf (05)** into the upper **Shelf brackets** and tighten the set screws at the bottom of the brackets. Then slide the bottom **Glass shelf** in place. Tighten the set screws on the bottom **Shelf brackets** as well.

See Fig. 22 and Fig. 23 for details.

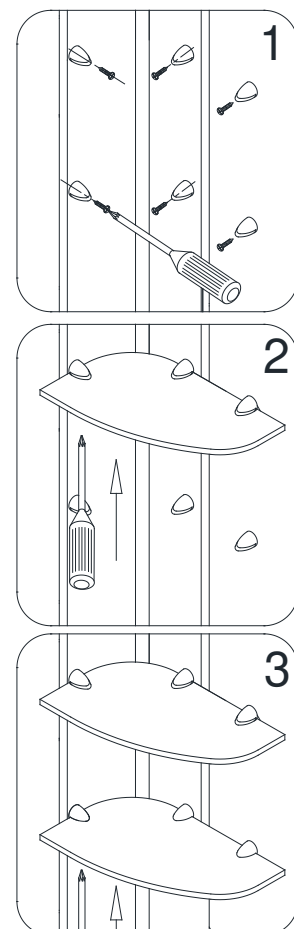


Fig. 22

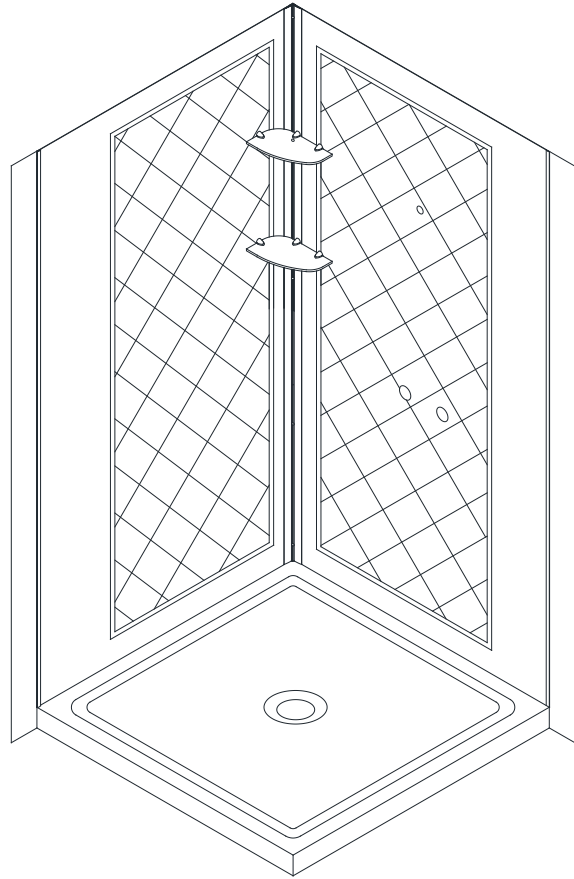


Fig. 23

Product maintenance

To ensure long lasting life for your acrylic back walls, wipe them off after each use with a soft cloth. To clean the acrylic back walls use non-abrasive sprays or cream based cleaners. Never use abrasive cleansers, metal brushes or scrapers that could scratch or dull the surface.

Acrylic cleaning procedure:

Acrylic should be cleaned with warm water and a clean, non-abrasive cloth. If desired, a mild, non-abrasive detergent may also be used. Use only light pressure when cleaning. Avoid rubbing dirt or grit into the surface. Turn the cloth often and replace with a clean cloth frequently. Dry by blotting gently with a clean, dry cloth.

DO NOT USE:

Window cleaning sprays, alcohol, kitchen abrasive compounds, or solvents (such as acetone, gasoline, or thinners). Do not use ammonia based cleaning solutions on the acrylic as it will damage the surface.

How do you get scratches out of Acrylic?

For light scratches, use a buffing compound such as a car wax. Use a buffer or lightly polish the surface by hand until scratches disappear.



TEL: [866-731-2244](tel:866-731-2244)

FAX: [866-857-3638](tel:866-857-3638)

WWW.BATHAUTHORITY.COM

For more information on [DreamLine™ Shower Back Wall](http://www.BathAuthority.com) please visit www.BathAuthority.com

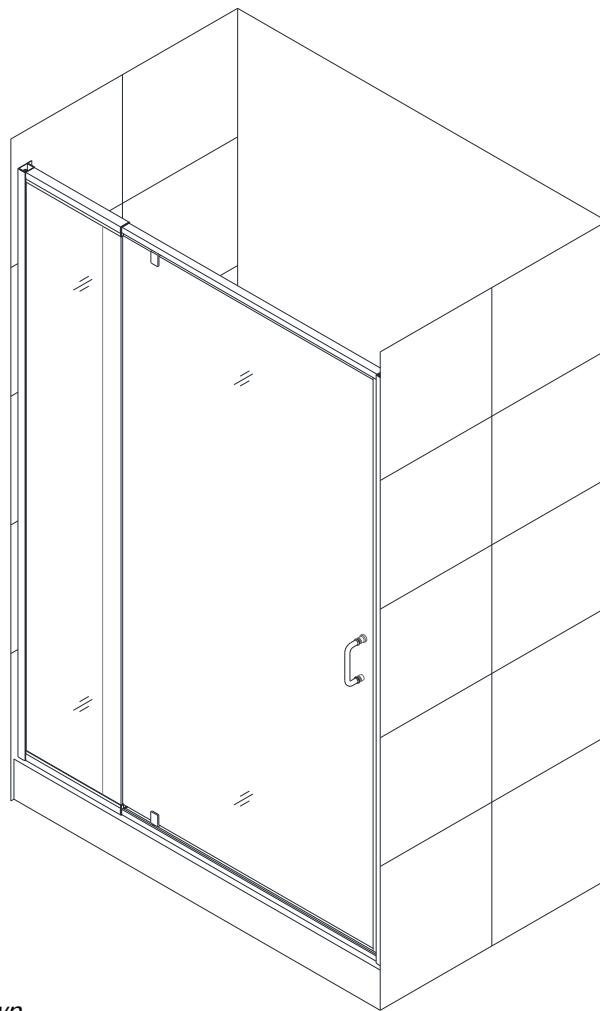


FLEX 28" x 72" / 32" x 72"

SHOWER DOOR INSTALLATION INSTRUCTIONS

IMPORTANT

DreamLine® reserves the right to alter, modify or redesign products at any time without prior notice. For the latest up-to-date technical drawings, manuals, warranty information or any other details, please refer to your model's web page on DreamLine.com



Model#s:
SHDR-22287200-01
SHDR-22327200-01

Finish -01 = Chrome

Right hand door installation shown



Questions?

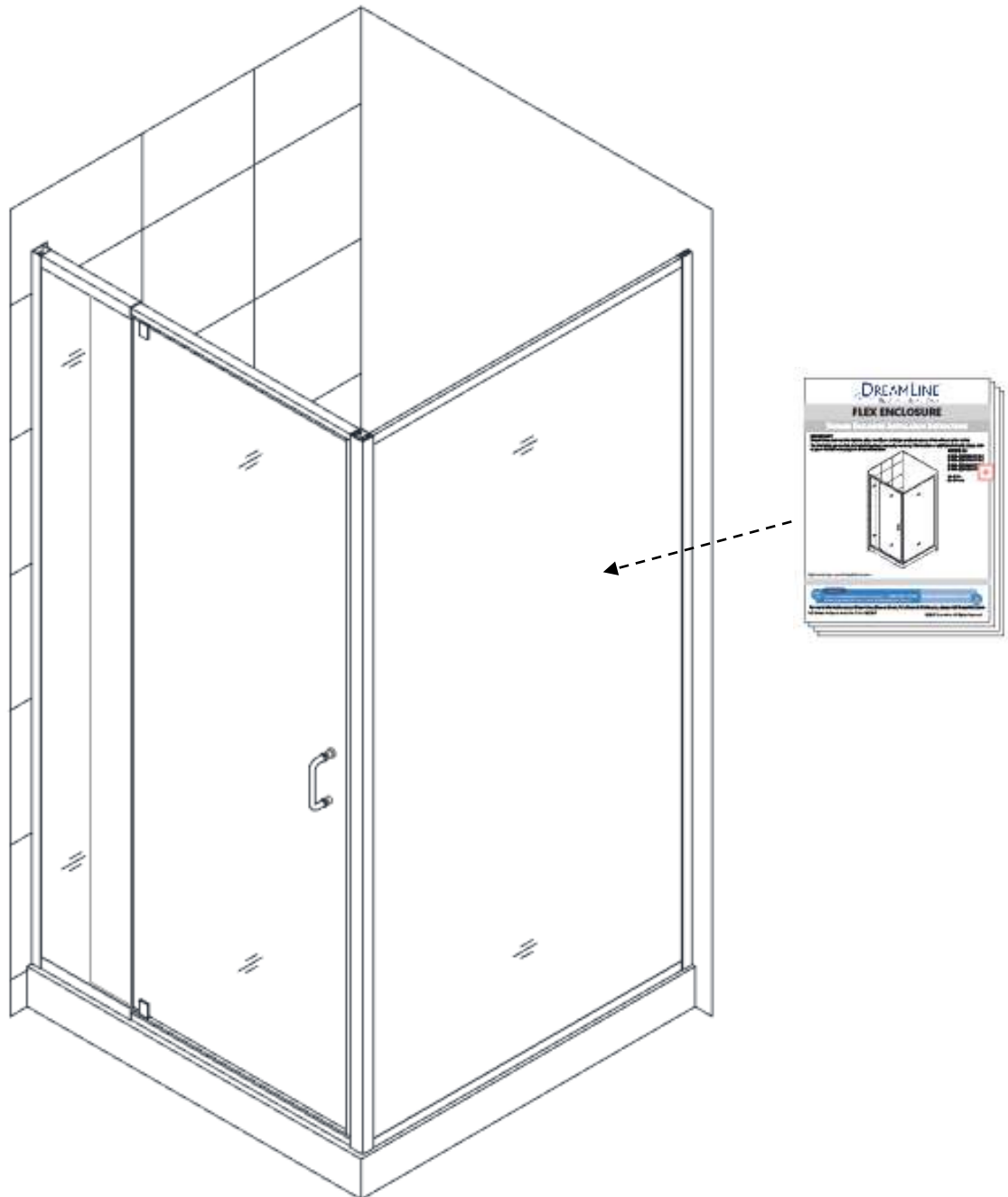
Please Call DreamLine Customer Support: **1-855-831-2126**
Hours of Operation M-F 8AM - 7PM EST and Saturday 9AM - 5PM EST

Support@DreamLine.com



For more information about DreamLine® products please visit DreamLine.com

NOTE: This manual will describe the installation of the single threshold model of the FLEX Shower Door.
For the FLEX Shower Enclosure installation, please also use the manual that is packaged with the return panel glass.

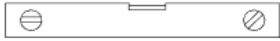


Preparation

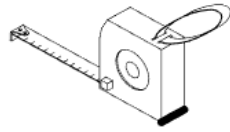
1. Prior to installation, examine all boxes and packages for shipping damage and compare the piece count with your packing slip. After opening all boxes and packages read this introduction carefully. Check that all of the needed parts are included in the package by checking off the components on the "Detailed Diagram of Shower Door Components". If the unit has been damaged, has a finishing defect, or has missing parts, please contact our customer support department within **3 business days** of the delivery date. Please note that **DreamLine® will not replace any damaged products or missing parts free of charge after 3 business days or if the product has been installed.** Feel free to contact DreamLine® if you have any questions, and please provide an order number, job name or other proof of purchase to help us identify your original order.
2. **Please note that you should consult your local building codes with questions about installation compliance standards. Building and plumbing codes may vary by location, and DreamLine® is not responsible for code compliance standards for your project and will not accept any returns.**
3. If this unit is going to be installed in a new construction, please install all of the required plumbing and drainage before installing the shower. **Use a competent and licensed (if required by local code) plumber for all plumbing installation.**
4. Please make sure that prior to beginning the installation, the surfaces are leveled and solid and will be able to support the total weight of the unit. Also make sure the walls are at right angles. Irregular installation surface level, radius corners or improper angle of side walls will result in serious problems for your installation. Please, note that some adjustments and drilling may be necessary during the installation process.
5. Please protect all primary surfaces of the product during installation. **Never set your glass down directly onto a tile floor.** Leave corner protectors in place until necessary to remove them. Always use a piece of wood or cardboard to protect the bottom edge and corners of the glass prior to and during installation.
6. This unit must be installed upon a finished threshold and against finished walls.
7. This model has 4" of total width adjustment: including 1/2" of adjustment per wall profile for out-of-plumb wall conditions plus 3" of overall width adjustment with the expanding top and bottom rails. **Be sure that you have ordered the correct model size to fit your finished opening.**
8. **This model requires a minimum 1-3/8" of flat threshold space for installation.**
9. **Professional installation recommended.**

NOTE: This door is reversible for right or left-hand door installation. The right-hand door installation is shown as an example throughout this manual.

Tools Required



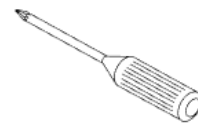
Level



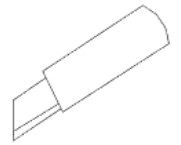
Tape Measure



Pencil



Phillips Screwdriver



Razor Knife



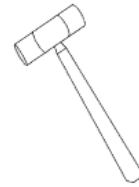
Drill bit
(Ø=5/16")
(8mm)



Drill bit
(Ø=1/8")
(3mm)



Power Drill

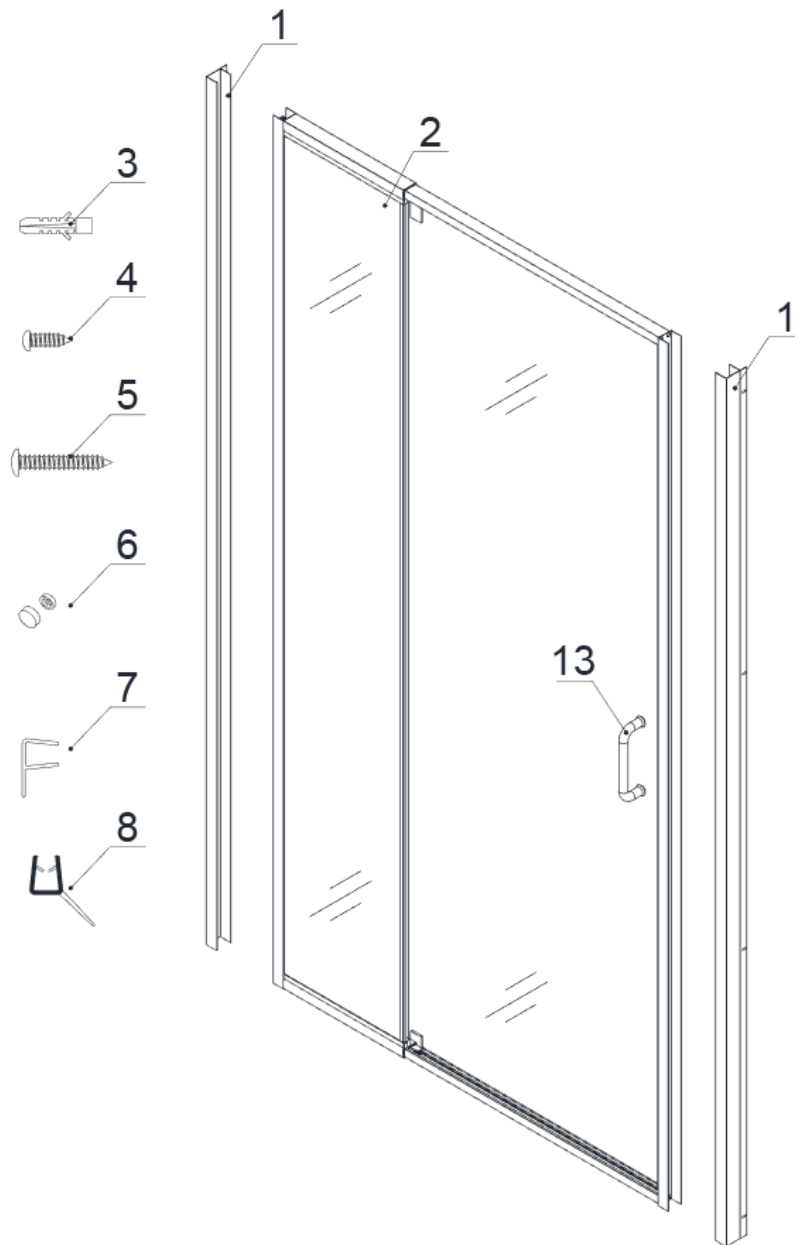


Hammer



Caulk

Detailed Diagram of Shower Door Components



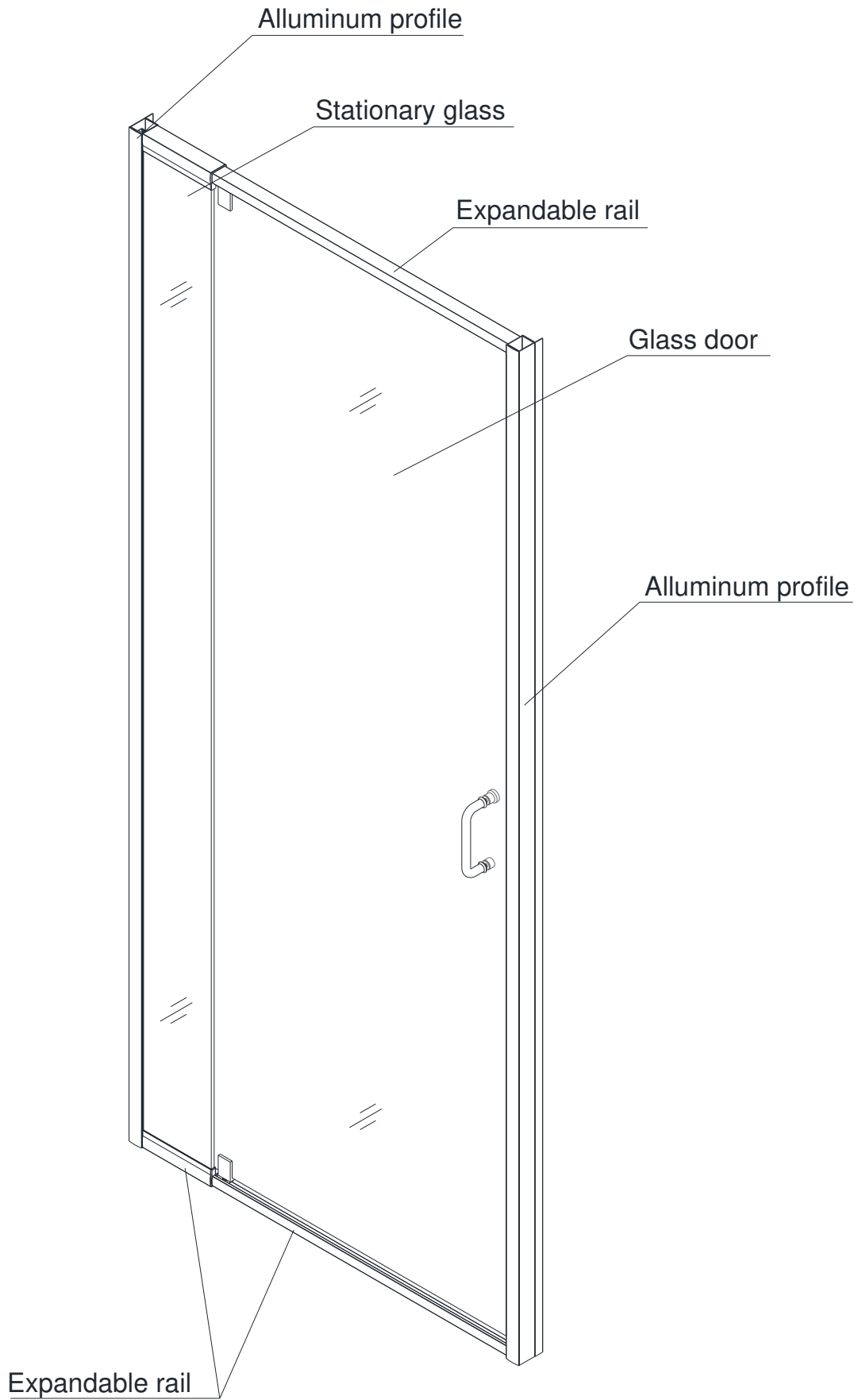
Part List

| | | | | | |
|----|----------------------------|-------|----|---------------------------|-------|
| 01 | Wall profile | 2pcs | 06 | Decorative cap and washer | 10pcs |
| 02 | Door assembly | 1set | 07 | Flanged anti-water strip | 1pc |
| 03 | Wall anchor | 8pcs | 08 | Bottom anti-water strip | 1pc |
| 04 | Round head screws ST4.2×10 | 10pcs | 13 | Handle | 1pc |
| 05 | Truss head screws ST4.2×40 | 8pcs | | | |

NOTE: Unpack your unit carefully and inspect it. Lay it out and identify all parts using the detailed diagram and packing list in this manual as a reference. Before discarding the carton, check for small hardware bags that may have fallen to the bottom of the box. If any parts are damaged or missing, please contact DreamLine® for replacement. The shipping boxes may contain extra parts not used in your model configuration.

NOTE: Retain these installation instructions for future reference.

Door Assembly Diagram



Shower Door Installation

1. Prior to the Shower door installation, the installation of the shower base and plumbing must be completed.

See Fig. 1 for details.

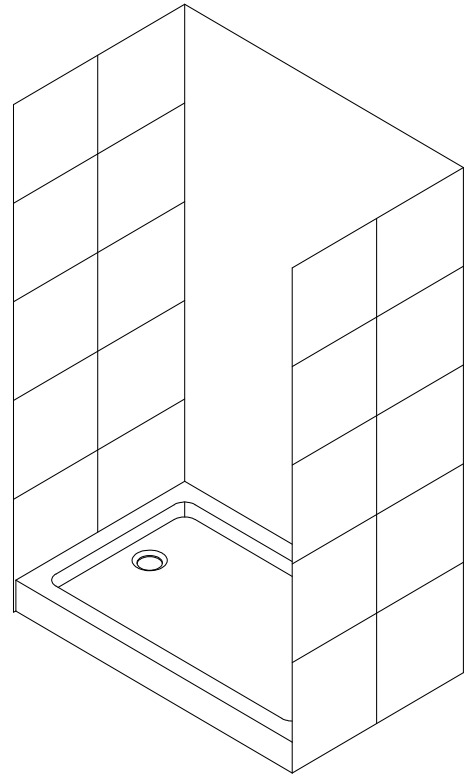


Fig. 1

2. Slide the **Wall profiles (01)** over the **Door assembly (02)** on both sides. Be sure that the flanges on the **Wall Profiles (01)** face in towards the shower.

See Fig. 2 & Fig. 3 for details.

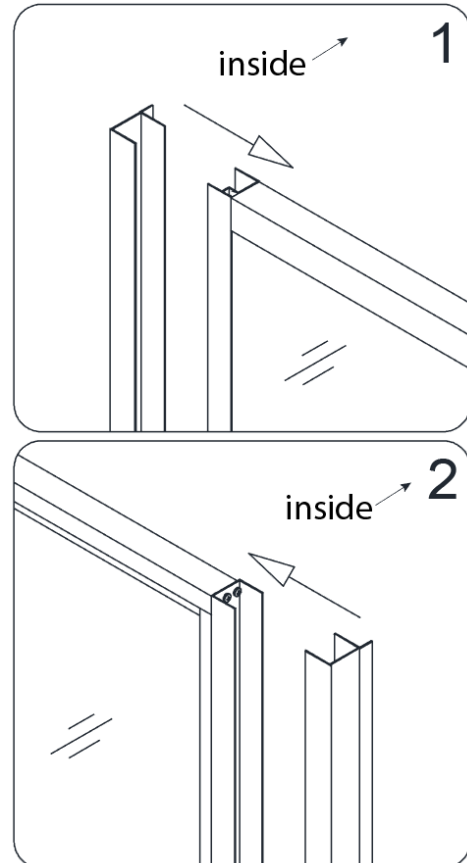


Fig. 2

NOTE:

Flip the entire assembly for opposite installation.

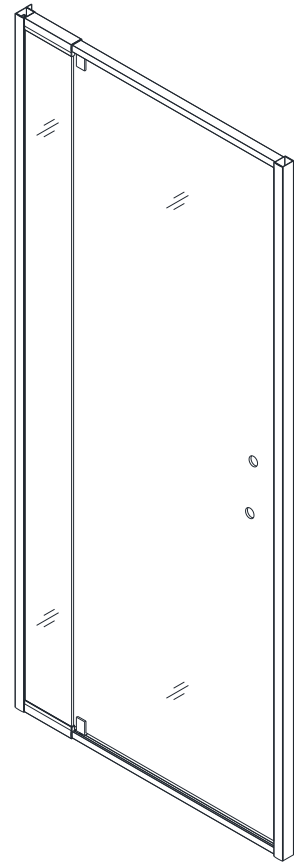


Fig. 3

3. Move the **Door assembly (02)** with the **Wall profiles (01)** onto the Shower base with the Stationary glass side tight to the wall. Adjust the **Door assembly (02)** by stretching the top and bottom Expanding rails evenly to extend the **Door assembly (02)** tight to the opposite wall. If the top and bottom wall opening measurements are different or if the walls are out-of-plumb, make adjustments by slightly pulling the **Wall profiles (01)** out of the **Door assembly (02)**.

NOTICE:

The maximum adjustment width of the Expanding rails is **3"**. The wall profiles allow for 1/2" adjustment for each side.

See Fig. 4 for details.

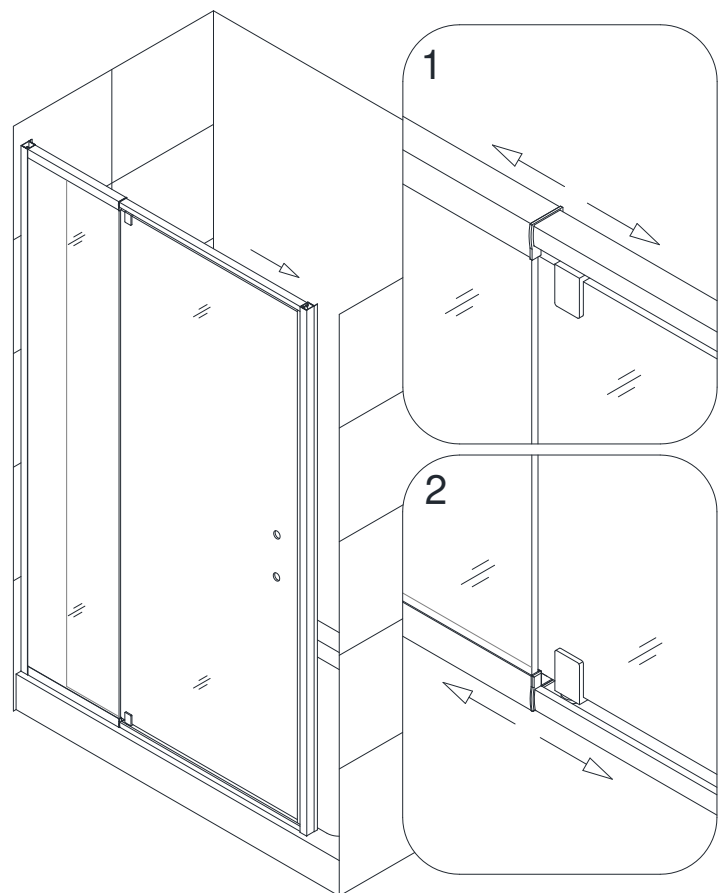


Fig. 4

4. Adjust the **Door assembly (02)** so that it is plumb by checking with a level.

See Fig. 5 for details.

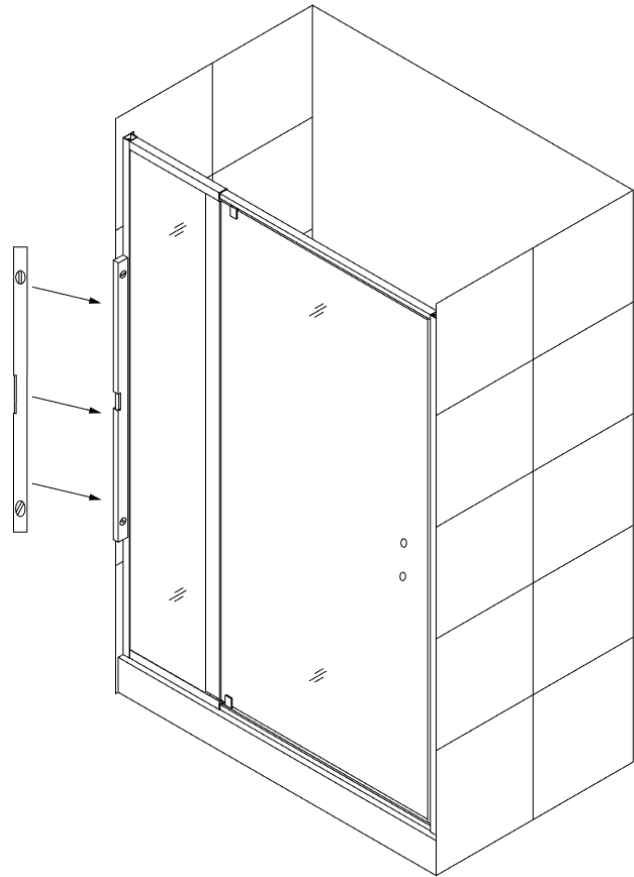


Fig. 5

5. Have an assistant hold the **Door assembly (02)** in the correct position and mark the walls through the pre-drilled holes in the flange of the **Wall Profiles (01)**.

See Fig. 6 for details.

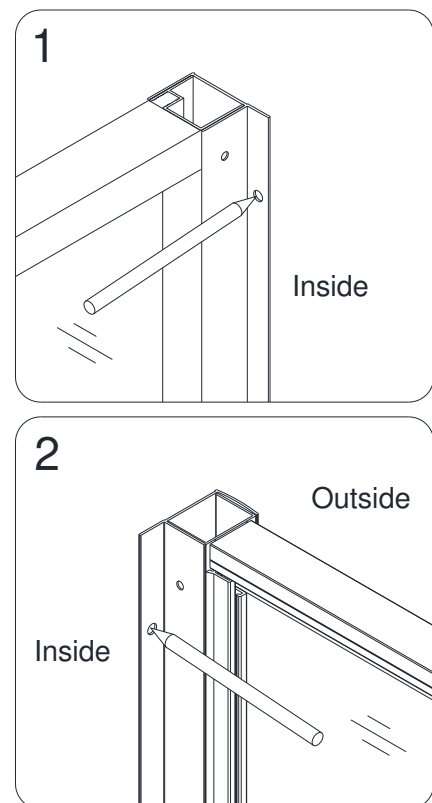


Fig. 6

6. Set the **Door assembly (02)** aside; drill the holes using a **Ø5/16"** drill bit and insert the **Wall anchors (03)**.

See Fig. 7 for details.

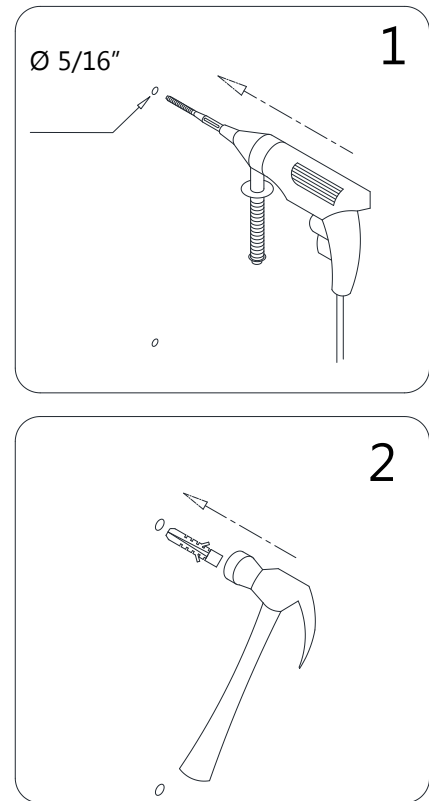


Fig. 7

7. Apply silicone along the **Wall Profiles (01)** and around the holes on the wall.
Place the **Wall Profiles (01)** back on the Shower base into the correct position and secure them to the walls using the **Truss head screws ST4.2×40 (05)**.

See Fig. 8 and Fig. 9 for details.

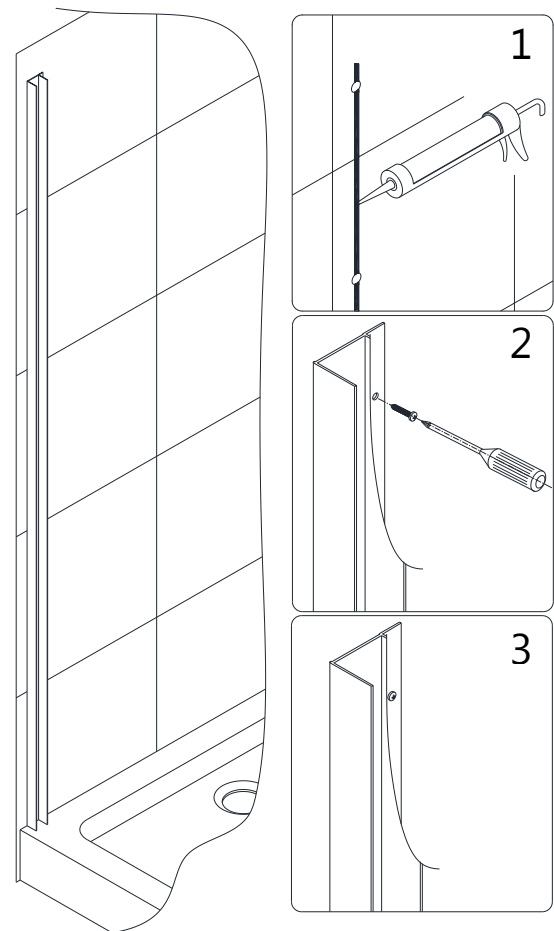


Fig. 8

NOTE: If the finished opening width is at the minimum for the model size, attach one wall profile to the wall, set the door assembly back into position on the threshold into the installed wall profile and then attach the remaining wall profile to the wall.

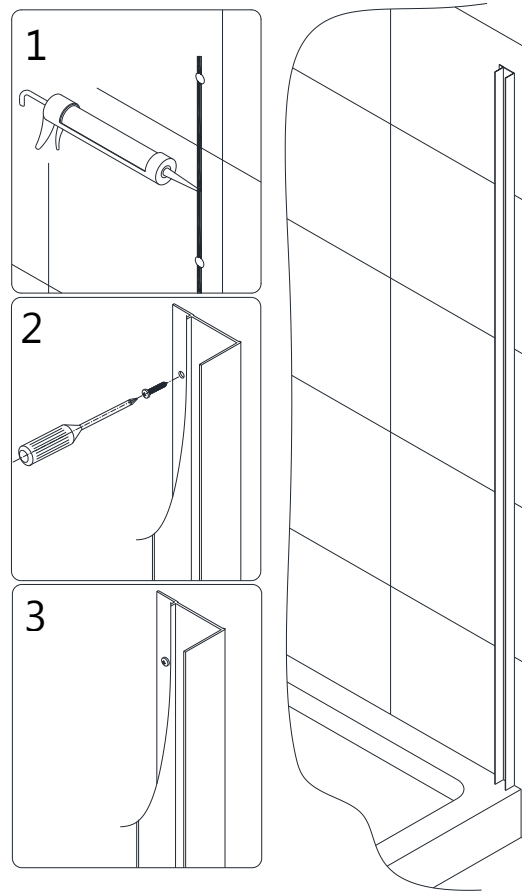


Fig. 9

8. Place the **Door assembly (02)** back onto the threshold.

See Fig. 10 for details.

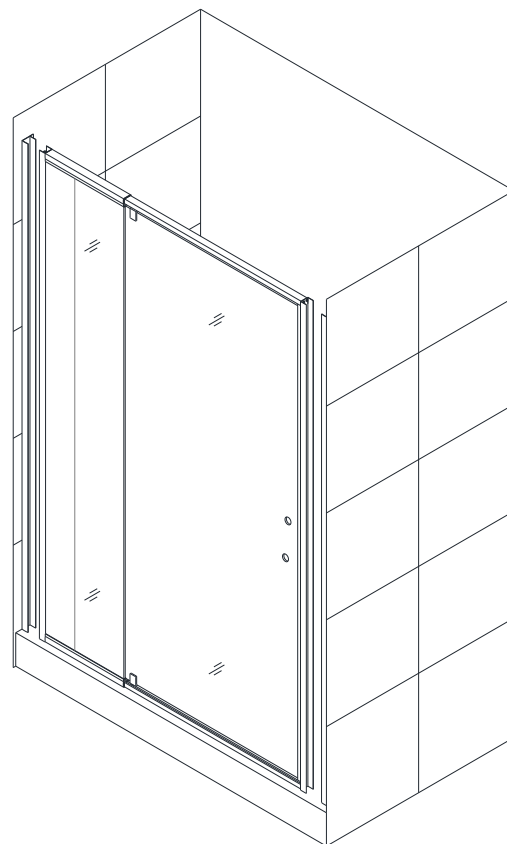


Fig. 10

9. Install the **Handle (13)** onto the **Door assembly (02)**. Insert the **Door assembly (02)** with the Stationary glass side into the **Wall profile (01)**.

See Fig. 11 for details.

Note: Do Not lift the unit using the handle as this could result in damage to the glass and/or serious personal injury.

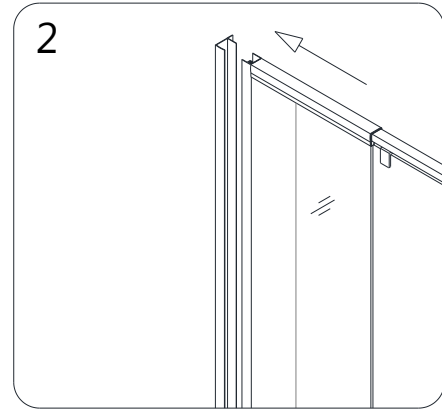
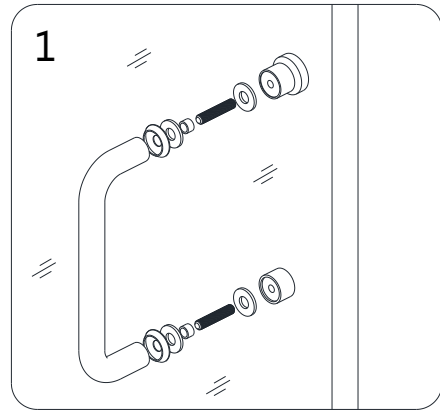


Fig. 11

10. Extend the **Door assembly (02)** toward the opposite wall and insert the Glass door side into the **Wall profile (01)**.

See Fig. 12 and Fig. 13 for details.

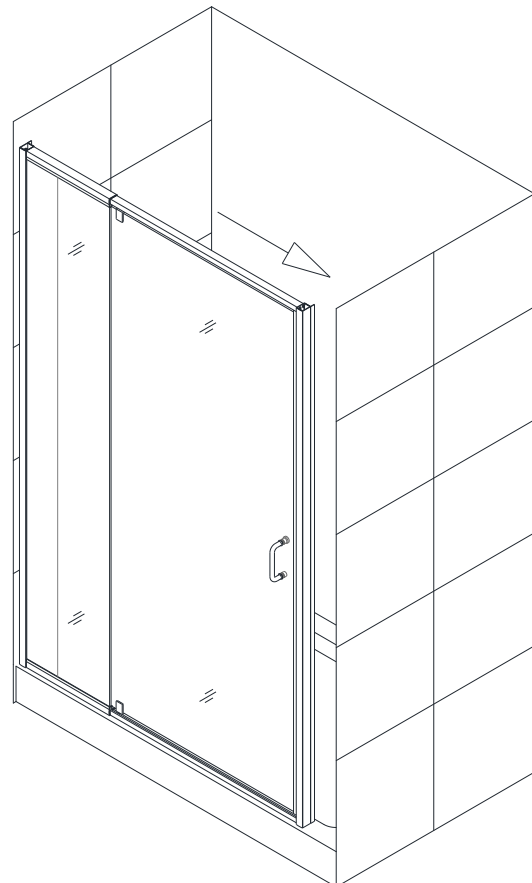


Fig. 12

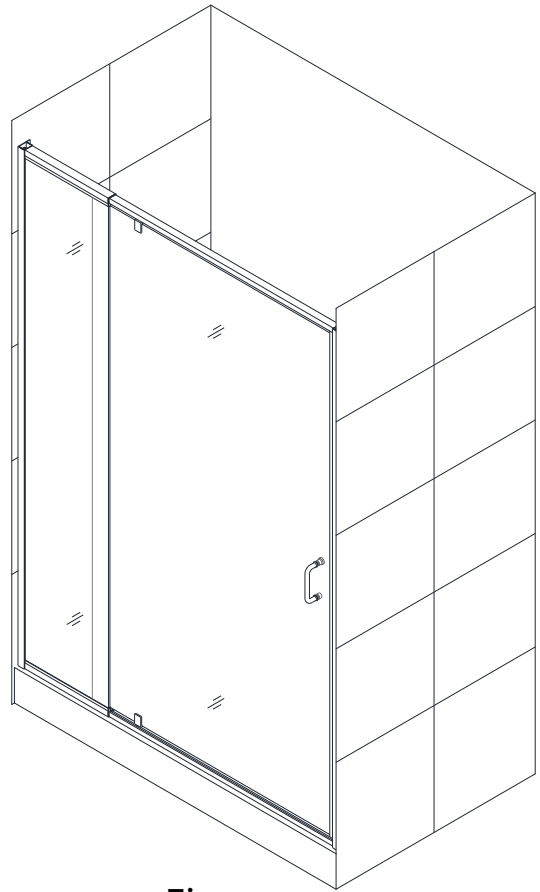


Fig. 13

11. Make sure the **Door assembly (02)** is fully extended into the **Wall profiles (01)**.

Adjust the top and bottom Expanding rails to the same length so that the door opening is square.
Use a tape measure for accuracy.

See Fig. 14 for details.

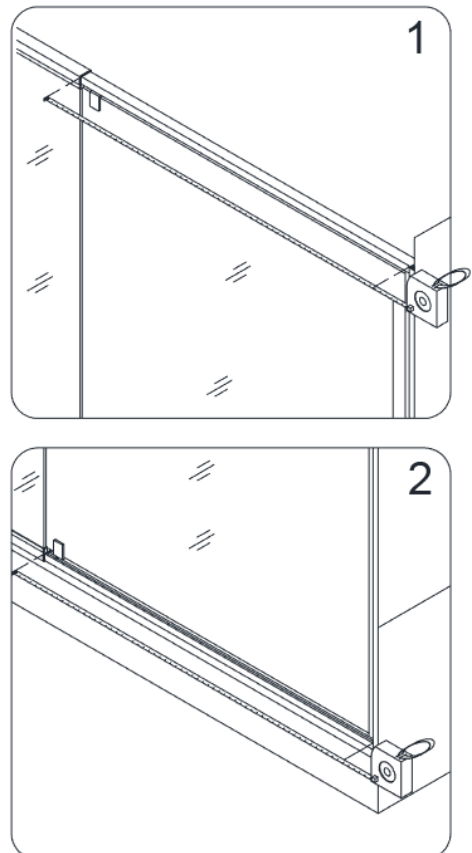


Fig. 14

12. Drill holes into the top and bottom **Expanding rails** through the predrilled holes using an **Ø 1/8"** drill bit.

ATTENTION:

Do not drill all the way through the Expanding rail, only through the first layer.

Secure the Expanding rails using the **Round head screws ST4.2×10 (04)** and the raised white washers.

Cover the exposed screw heads and washers with the **Decorative caps (06)**.

See Fig. 15 for details.

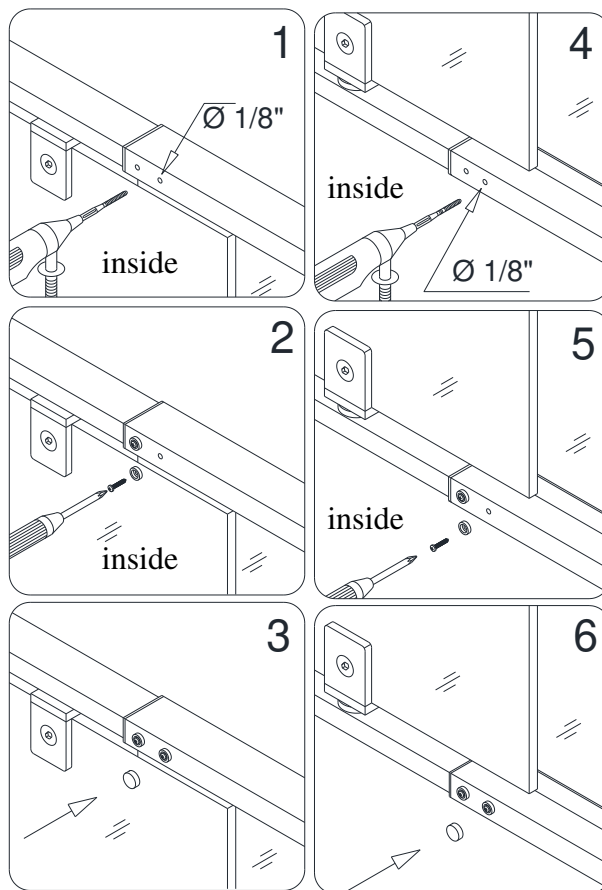


Fig. 15

13. Make any final adjustments to the **Door assembly (02)** with the **Wall profiles (01)**. Operate the Glass door to make sure that the magnetic strips create a good seal. From inside the shower, drill holes in the aluminum profile of the Door assembly at the top and bottom of the **Wall profile** using an **Ø 1/8"** drill bit.

ATTENTION:

Do not drill all the way through the Expanding rail, only through the first layer.

Secure the **Door assembly** inside the **Wall profile** using the **Round head screws ST4.2×10 (04)** with the raised white washers.

Cover the exposed screw heads and washers with the **Decorative caps (06)**.

See Fig. 16 for details.

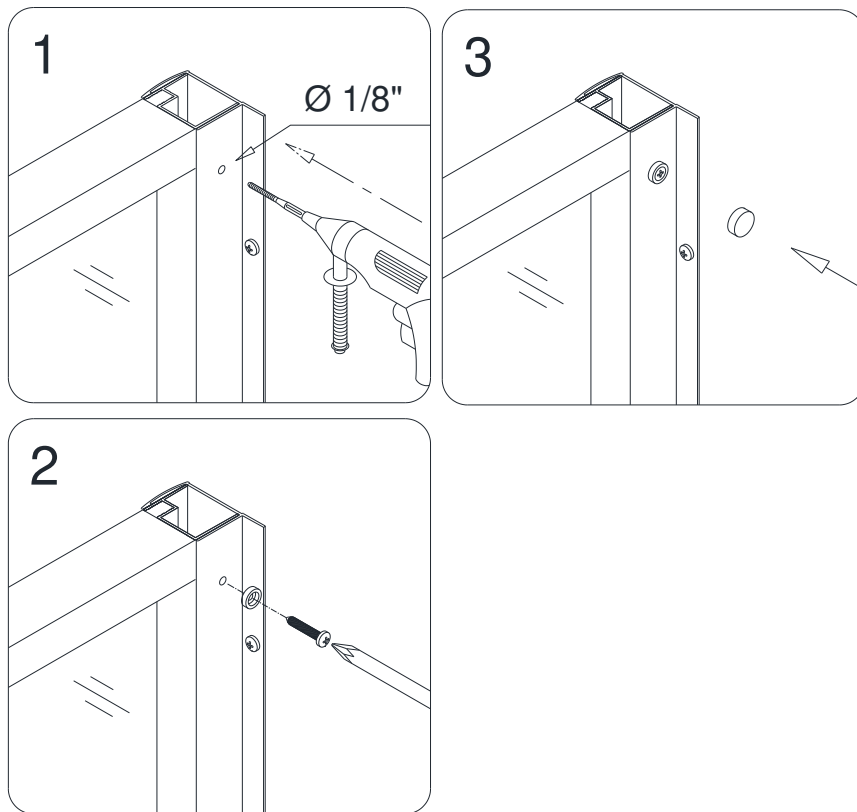


Fig. 16

14. Attach the **Flanged Anti-water strip (07)** to the vertical edge of the **Stationary glass**.

Open the door and attach the **Bottom Anti-water strip (08)** to the bottom of the door glass from the pivot to the edge of the magnetic strike rail and trim off the excess. Next, attach the cut off to the bottom of the door glass, opposite of the pivot and trim to fit. Attach both pieces of the **Bottom Anti-water strip (08)** to the bottom edge of the Glass door.

See Fig. 17 for details.

NOTE: Measure to the strike edge of the door and notch the **Bottom anti-water strip (#08)** with a razor knife to fit around the magnet strip, leaving the bottom sweep intact.

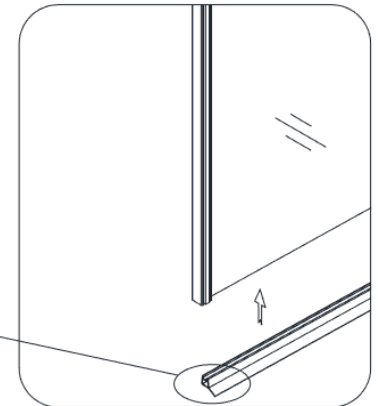
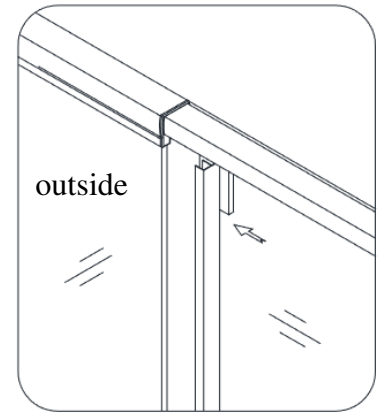


Fig. 17

15. Apply a good quality, mildew-resistant silicone along the wall profiles and the bottom expanding rail where they meet the walls and threshold from both inside and outside the shower.

Allow 24 hours for the silicone to fully cure before first use.

See Fig. 18 for details.

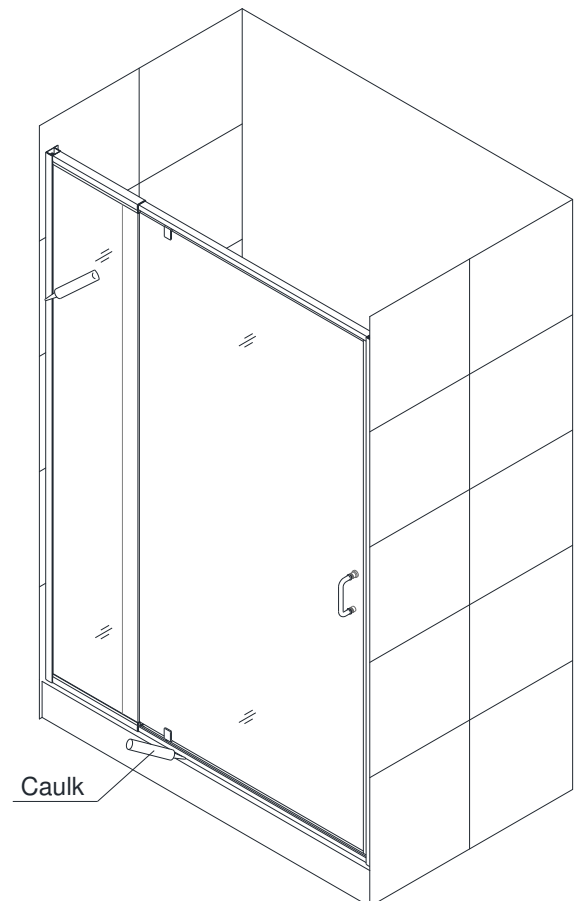


Fig. 18

Product Maintenance

BASES and BACKWALLS: To ensure long lasting life for your acrylic back walls: wipe them off after each use with a soft cloth. To clean the acrylic back walls use non-abrasive sprays or cream based cleaners. Avoid the use of aerosol spray cleaners. Never use abrasive cleansers, metal brushes or scrapers that could scratch or dull the surface.

GLASS: To ensure long lasting life for your glass shower products: wipe them off after each use with a soft cloth. Rinse and wipe off the glass using either a soft cloth or a squeegee to prevent soap buildup and water spots (Hard water can etch the surface of the glass over time if left to dry). To prevent scratching the surface: never use abrasive cleaners or cleaning products that contain scouring agents. Never use bristle brushes or abrasive sponges that may scratch the surface.

HARDWARE: To ensure a long lasting finish: wipe off the metal parts after each use with a soft cloth. Do not use abrasive cleaners or cleaning products containing ammonia, bleach or acid. If accidentally used, rinse the surface as soon as possible to prevent damage to the finish (peeling or corrosion). After cleaning the polished finishes, rinse thoroughly and wipe dry with soft cloth. Clean stainless steel surfaces at least once a week. When applying stainless steel cleaner or polish to stainless steel hardware, work with (not across) the grain. Never use an abrasive sponge or cloth, steel wool or wired brush as these may permanently scratch the surfaces.

NOTE: To maximize the life of your door, it is important to regularly inspect the glass and other hardware for misalignment, proper attachment, and/or damage. Contact DreamLine with any questions or concerns.



TEL: [866-731-2244](tel:866-731-2244)

FAX: [866-857-3638](tel:866-857-3638)

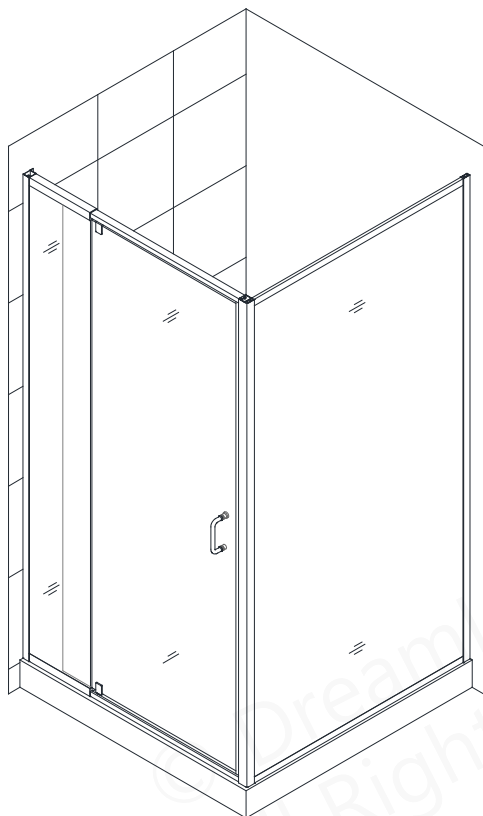
DREAMLINE.COM

For more information on [DreamLine[®] Shower Doors](http://DreamLine.com) and [Enclosures](http://DreamLine.com) please visit DreamLine.com

FLEX ENCLOSURE

SHOWER ENCLOSURE INSTALLATION INSTRUCTIONS

PLEASE REVIEW THIS ENTIRE MANUAL PRIOR TO INSTALLATION

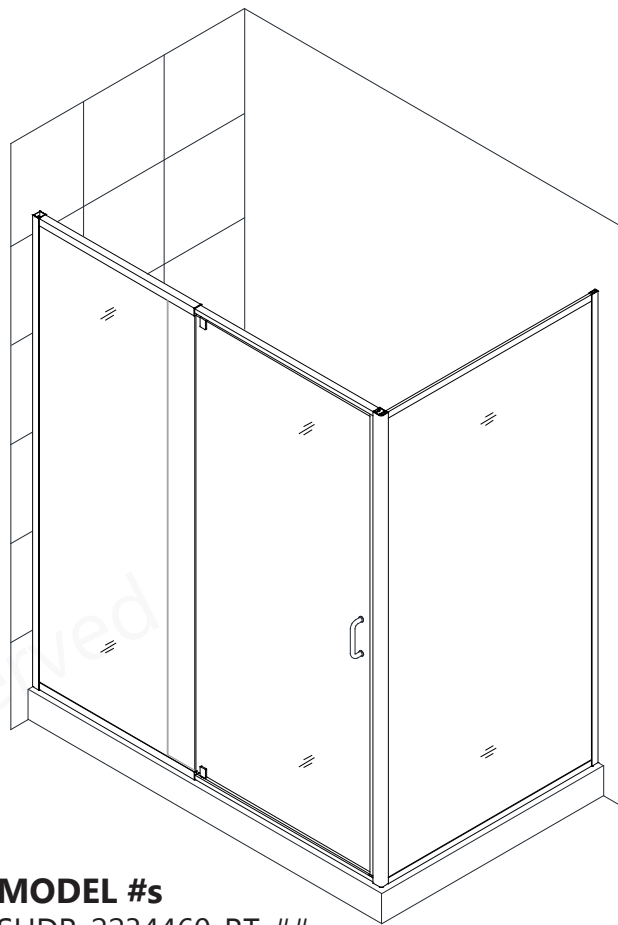


MODEL #s

SHDR-2230300-RT-##

SHDR-2234340-RT-##

Right-hand return panel installation shown



MODEL #s

SHDR-2234460-RT-##

SHDR-2234540-RT-##

SHDR-2234580-RT-##

##=finish

01- Chrome

04 - Brushed Nickel

IMPORTANT!

DreamLine[®] reserves the right to alter, modify or redesign products at any time without prior notice for the purpose of product improvement and customer experience. Please refer to the model's web page on **DreamLine.com** for the latest technical drawings, installation manuals, warranty information or additional product details.

Do Not Return Product to the Store. Contact DreamLine[®] with any questions



Questions?

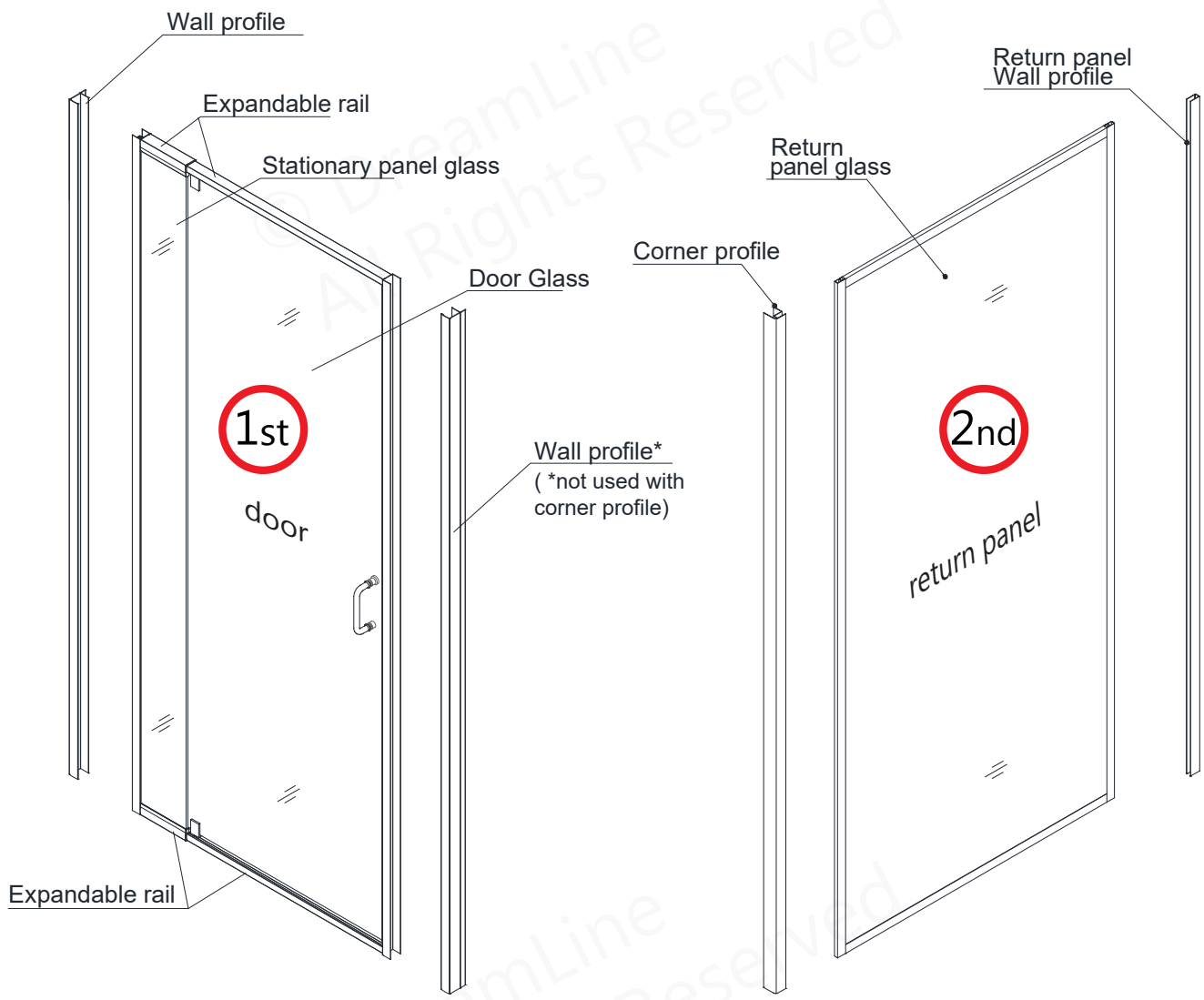
Please Call **DreamLine** Customer Support: **1-866-731-2244**
Hours of Operation M-F 8AM - 6PM EST

Support@DreamLine.com





This manual will describe the installation steps for the Return panel only and contains dimensions for the proper location to install the door section based on the enclosure model size. The installation manual for the door section of this enclosure is packaged with the door glass.



1st

USE THE INSTALLATION MANUAL THAT IS PACKAGED WITH THE FLEX DOOR TO ASSEMBLE AND INSTALL THE DOOR SECTION.

2nd

USE THIS MANUAL FOR THE ENCLOSURE DIMENSIONS AND TO ASSEMBLE AND INSTALL THE RETURN PANEL.

NOTE: This model is reversible for left or right-hand installation. This manual will show the right-hand return panel installation. For a left-hand installation, simply begin on the opposite wall and reverse the orientation of the parts as necessary.

Table of Contents

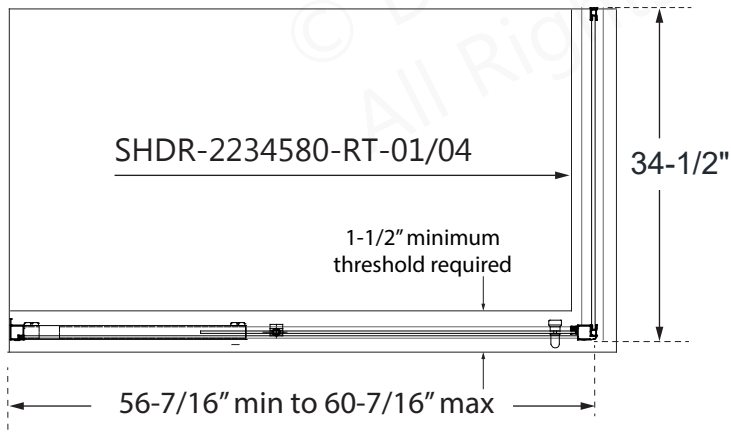
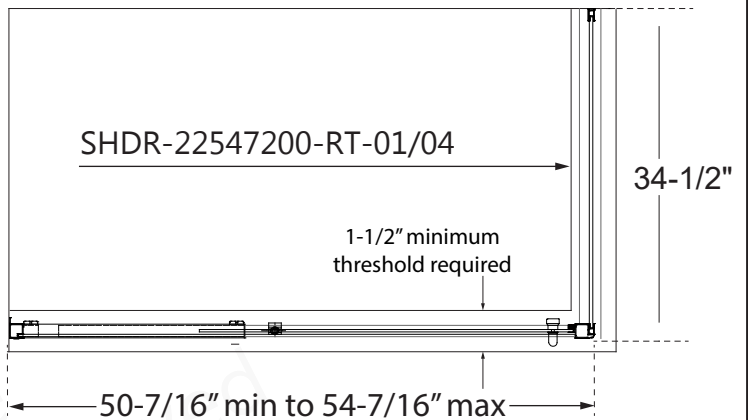
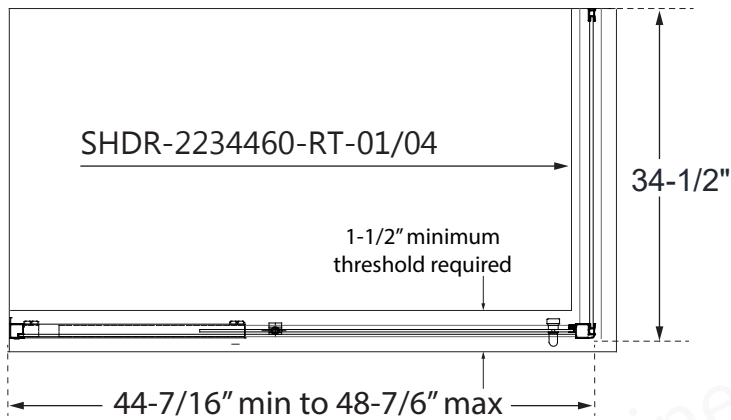
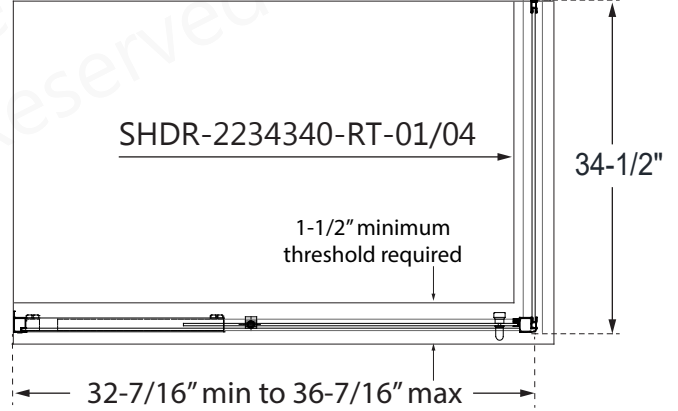
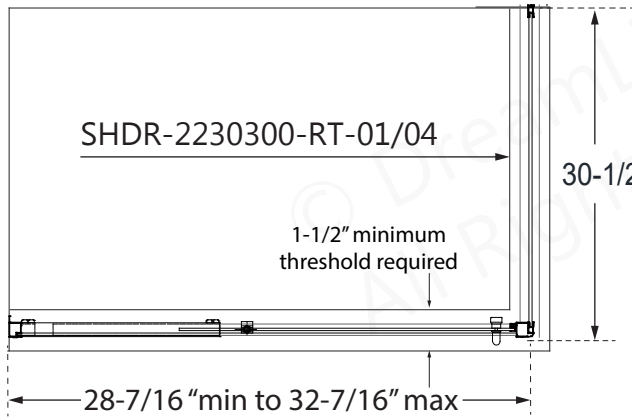
| Section title | Page # |
|---|---------------|
| Shower Enclosure Plan | 2-3 |
| Preparation | 4 |
| Tools | 5 |
| Detailed Diagram of Shower Enclosure Components | 6 |
| Parts List | 7 |
| Installation Steps | 8-16 |
| Vinyl Seals | 15 |
| Product maintenance | 17 |



This product should be installed by someone familiar with the construction requirements for this type of product and the care necessary for the safe installation and operation of the product.

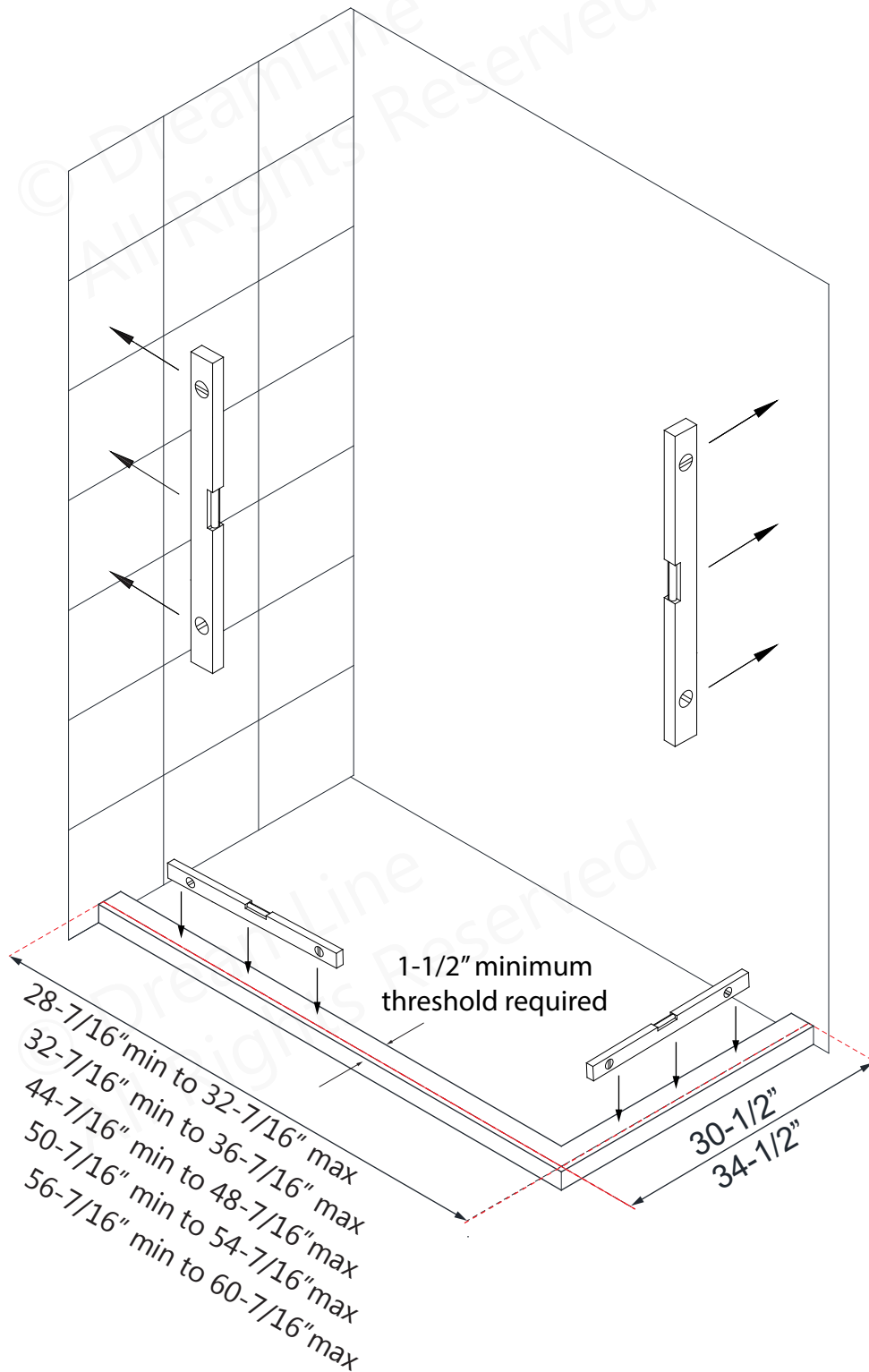
Shower Enclosure Plan

RIGHT-HAND RETURN PANEL SHOWN AS AN EXAMPLE



Shower Enclosure Plan (Cont'd.)

This shower enclosure requires a minimum 1-1/2" wide threshold for installation. Compare the overall outside dimensions of the shower enclosure model size as shown on the "Shower Enclosure Plan" with the finished threshold to ensure proper fit prior to beginning installation.



Dimensions represent the outside of the installed shower enclosure (not the dimensions for the shower base or threshold)

RIGHT-HAND RETURN PANEL SHOWN AS AN EXAMPLE

Preparation

1. Prior to installation, examine all boxes and packages for shipping damage and compare the piece count with the packing slip. After opening all boxes and packages read this introduction carefully. Check that all of the necessary parts are included in the package by checking off the components on the "Detailed Diagram of Shower Door Components". If the unit has been damaged, has a finishing defect, or has missing parts, please contact our customer support department within **3 business days** of the delivery date. **Please note that DreamLine® will not replace any damaged products or missing parts free of charge after 3 business days or if the product has been installed.** Feel free to contact DreamLine® if you have any questions, and please provide an order number, job name or other proof of purchase to help identify the original order.

2. **Please note that you should consult your local building codes with questions on installation compliance standards. Building and plumbing codes may vary by location, and DreamLine® is not responsible for code compliance standards for your project and will not accept any returns.**

3. If this unit is going to be installed in new construction, please install all of the required plumbing and drainage before installing the shower. Use a competent and licensed (if required by local code) plumber for all plumbing installation.

4. Make sure that prior to beginning the installation, the surfaces are leveled and solid and will be able to support the total weight of the unit. Also make sure the walls are at right angles. Irregular installation surface level, radius corners or improper angle of side walls will result in serious problems for your installation. Note that some adjustments and drilling will be necessary during the installation process.

5. Protect all primary surfaces of the product during installation. Never set the glass down directly onto a tile floor. Leave corner protectors in place until necessary to remove them. Always use a piece of wood or cardboard to protect the bottom edge and corners of the glass prior to and during installation.

6. **This unit must be installed upon a finished threshold and against finished walls.**

7. This model has 1/2" of adjustment for out-of-plumb wall conditions within the wall profiles and 3" of adjustment with the expanding rails for the door section. Verify that your walls are plumb and that the threshold is level before proceeding with the installation.

8. This model requires a minimum of **1-1/2"** of flat threshold space for installation.

9. **Professional installation recommended.**

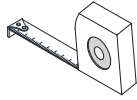


NOTE: DO NOT attach the handle to the door glass until instructed. **DO NOT** attempt to lift the door glass with the handle as this may result in damage to the glass and/or serious personal injury. Use a professional grade glass suction cup and an assistant.

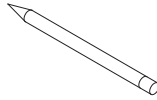
Tools



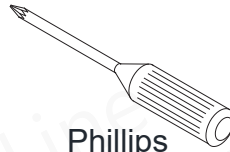
Level



Tape Measure



Pencil



Phillips Screwdriver



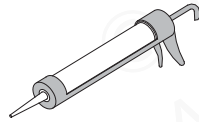
Drill bit
Ø5/16"
(8mm)



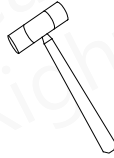
Drill bit
Ø=1/8"
(3mm)



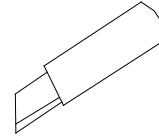
Power Drill



Silicone



Hammer



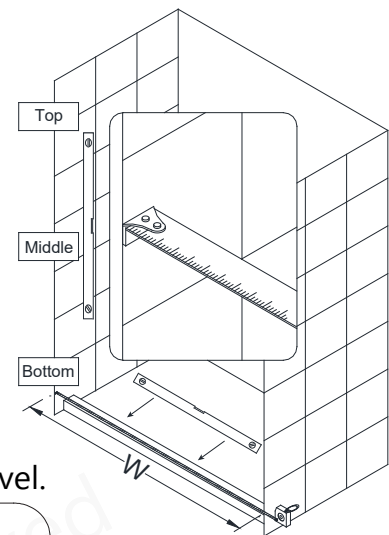
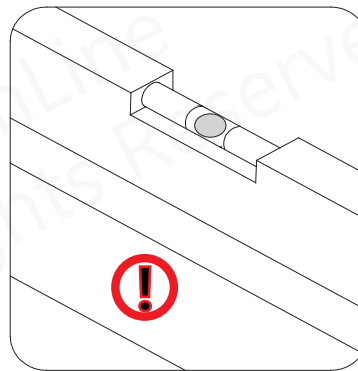
Razor Knife

Tip: Measure the finished opening before proceeding with the installation to be sure that the correct model size has been ordered. (see the Shower Enclosure Plan on page 3)

Tip: Prior to installation, cover the shower/tub drain with tape to prevent losing screws or small parts.

Tip: Set screw gun clutch to low setting when installing screws and bolts to prevent stripping the heads.

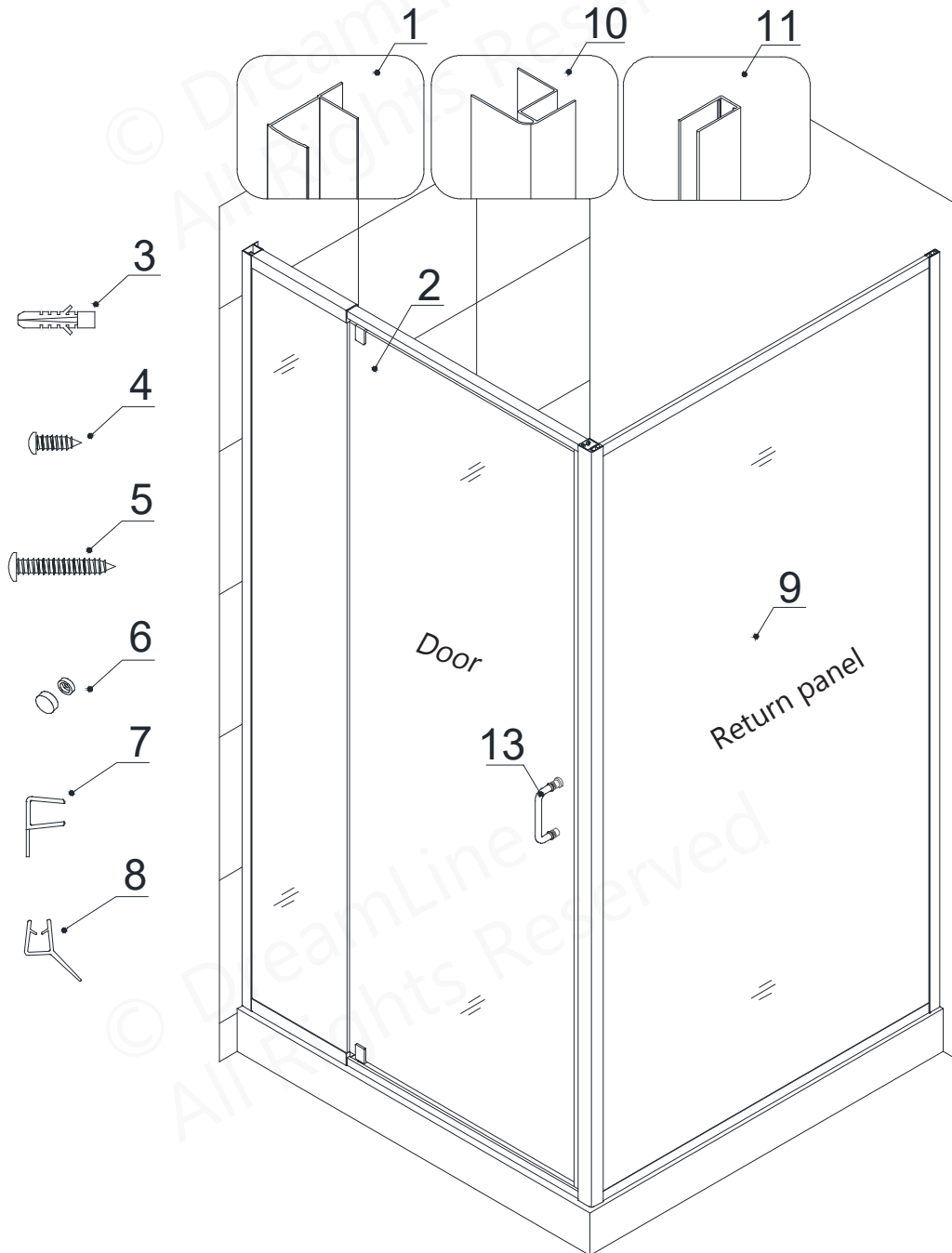
Threshold must be level.



NOTE: Unpack your unit carefully and inspect it. Lay it out and identify all parts using the detailed diagram and packing list in this manual as a reference. Before discarding the carton, check for small hardware bags that may have fallen to the bottom of the box. If any parts are damaged or missing, please contact DreamLine® for replacement. The shipping boxes may contain extra parts not used in your model configuration.

NOTE: Retain these installation instructions for future reference.

Detailed Diagram of Shower Enclosure Components



FLEX Enclosure Model

RIGHT-HAND RETURN PANEL SHOWN AS AN EXAMPLE

Parts List

Door packing List

| | | | | | |
|----|------------------------------|-------|----|------------------------------|-----|
| 01 | Wall profile* | 2pcs* | 06 | Decorative cover | 10 |
| 02 | Door assembly | 1set | 07 | Vinyl Seal with Flexible Fin | 1pc |
| 03 | Wall anchor | 8pcs | 08 | Bottom Sweep vinyl | 1pc |
| 04 | ST4.0 x 10 Pan head screw | 10pcs | 13 | Handle | 1pc |
| 05 | ST4.2 x 40 Truss head screws | 8pcs | | | |

* Only one Wall Profile is used with the shower enclosure installation

Return panel packing List

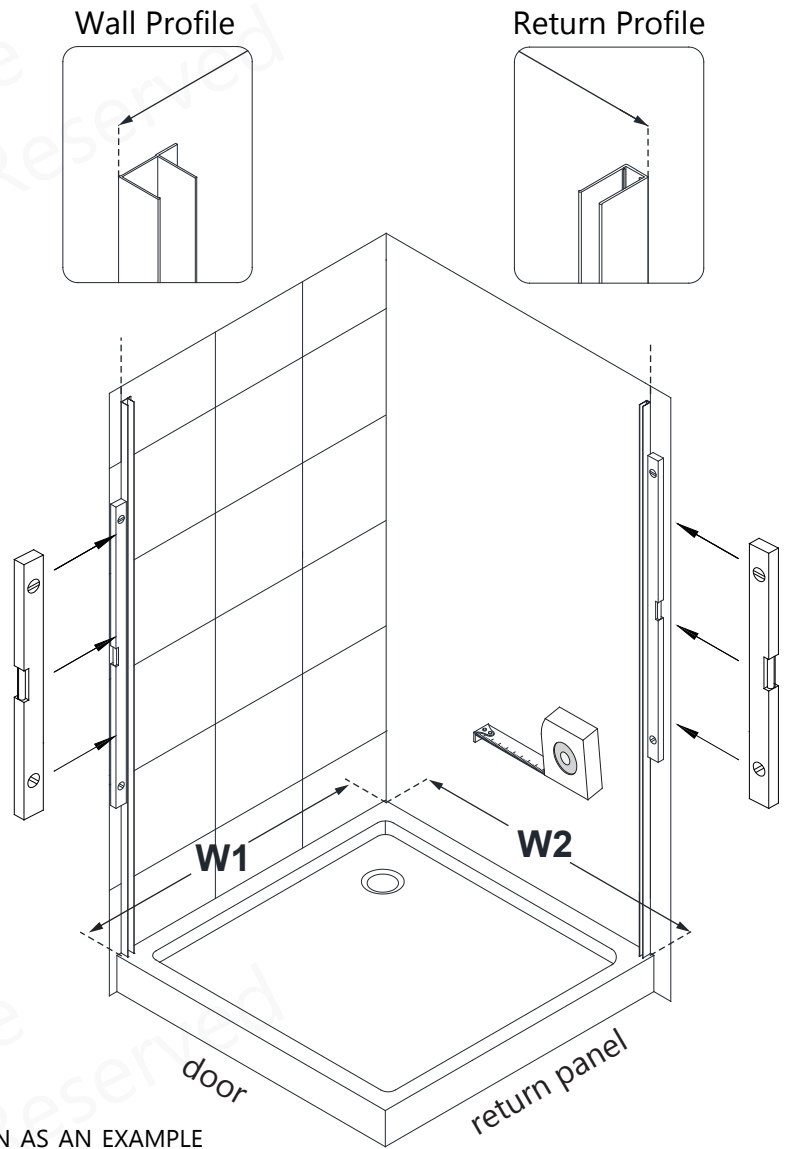
| | | | | | |
|----|---------------------------|------|----|---------------------------|-----|
| 04 | ST4.0 x 10 Pan head screw | 6pcs | 10 | Corner profile | 1pc |
| 06 | Decorative cover | 3pcs | 11 | Return panel wall profile | 1pc |
| 09 | Return Panel Assembly | 1pc | | | |

© DreamLine
All Rights Reserved

Installation steps

1. The overall width of the shower enclosure model is adjustable and can be adjusted to the sizes listed in **Table A** (under W2)
Mark the position of the **Wall profile (#01)** and the **Return Panel Wall Profile (#11)** on the walls according to the model size and dimensions provided in Table A below.

Place the **Wall Profile (#01)** and the **Return Panel Wall Profile (#11)** onto the threshold against the finished wall. Use a level to adjust to plumb. **(Fig #1) (Table 1)**



RIGHT-HAND RETURN PANEL SHOWN AS AN EXAMPLE

Fig 1

Table 1

PLACEMENT OF
DOOR SECTION

PLACEMENT OF
RETURN PANEL

| MODEL # | W1 | W2 |
|--------------------|------------------|---------------------|
| | (RETURN PANEL W) | (DOOR AREA W) |
| SHDR-2230300-RT-01 | 30-1/2" | 28-7/16" ~ 32-7/16" |
| SHDR-2234340-RT-01 | 34-1/2" | 32-7/16" ~ 36-7/16" |
| SHDR-2234460-RT-01 | 34-1/2" | 44-7/16" ~ 48-7/16" |
| SHDR-2234540-RT-01 | 34-1/2" | 50-7/16" ~ 54-7/16" |
| SHDR-2234580-RT-01 | 34-1/2" | 56-7/16" ~ 60-7/16" |

2. Mark the holes on the wall for drilling through the pre-drilled holes in the **Wall Profile (#01)**.

Drill the holes into the wall using a $\text{Ø } 5/16$ drill bit and insert the **Wall Anchors (#03)**.

Apply silicone to the back surface of the **Wall Profile (#01)** and place it back in position on the wall.

Attach the **Wall profile (#01)** to the wall with the **ST4.2 x 40 Truss head screws(#05)**. (Fig 2)

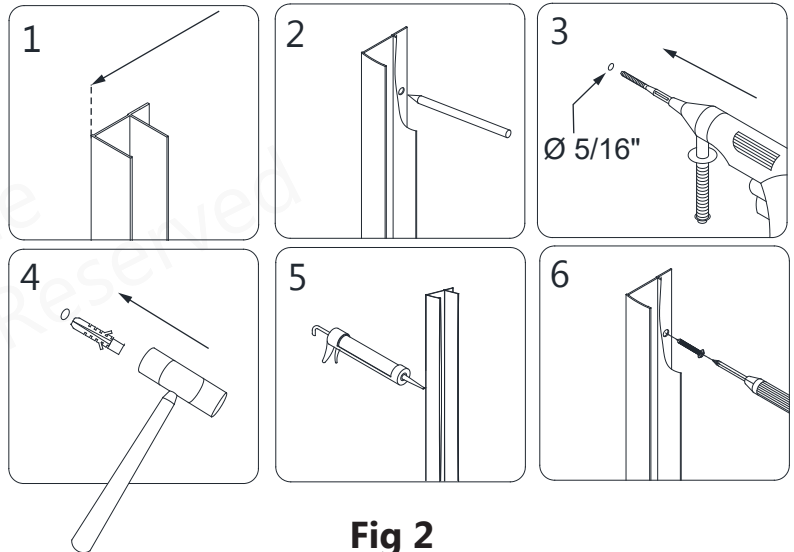


Fig 2

3. Mark the holes on the wall for drilling through the pre-drilled hole in the **Return Panel Wall Profile (#11)**.

Drill the holes into the wall using a $\text{Ø } 5/16$ drill bit and insert the **Wall Anchors (#03)**.

Apply silicone to the back surface of the **Return Panel Wall Profile (#11)** and place it back in position on the wall.

Attach the **Return Panel Wall Profile (#11)** to the wall with the **ST4.2 x 40 Truss head screws (#05)**. (Fig 3a and 3b)

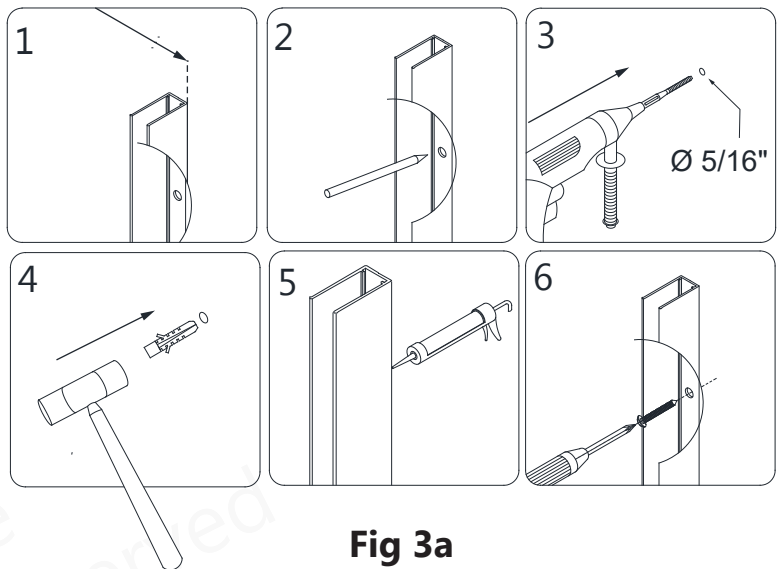


Fig 3a

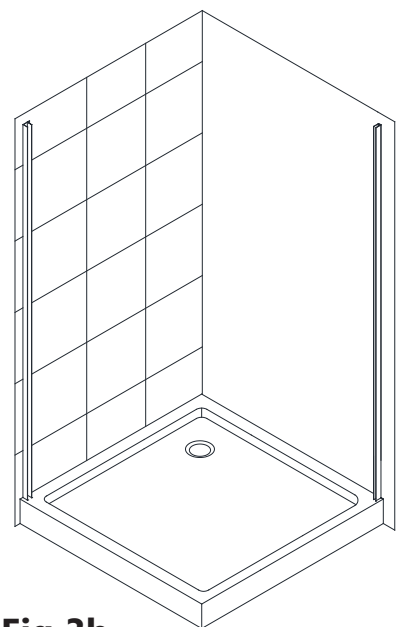
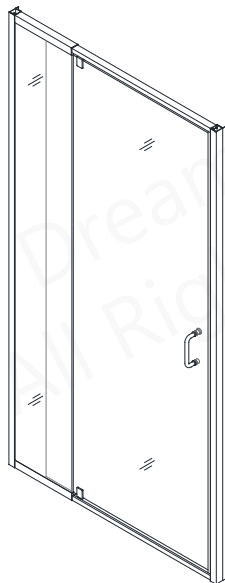
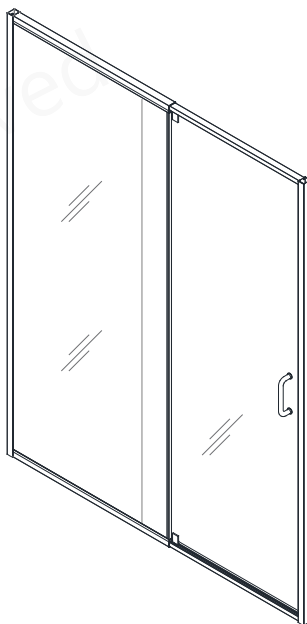


Fig 3b

USE THE INSTALLATION MANUAL PACKAGED WITH THE FLEX DOOR TO ASSEMBLE AND INSTALL THE DOOR SECTION. (Fig 4)



28" and 32" model
Pre-assembled



42" , 48" , 54" and 60" model
Assembly required

4. Move the Door assembly onto the threshold and slide the Stationary glass profile into the **Wall profile (#01)**. (Fig 4)

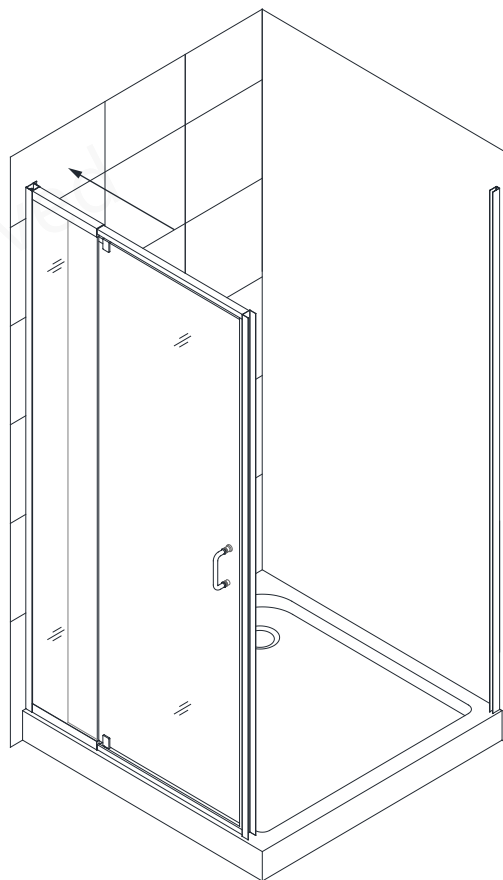
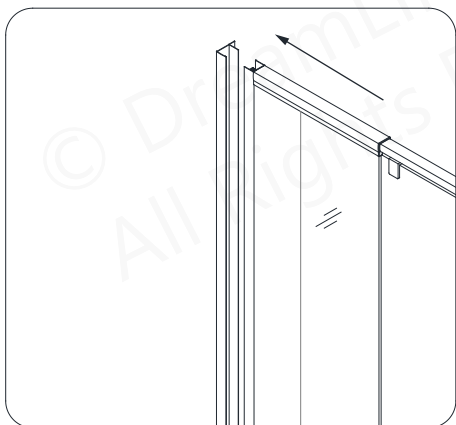


Fig 4

RIGHT-HAND RETURN PANEL SHOWN AS AN EXAMPLE

5. Slide the **Corner profile (#10)** over the vertical rail on the **Return Panel Assembly (#09)**. Drill $\text{\O} 1/8''$ holes through the predrilled holes on the **Corner profile (#10)** into the aluminum profile on the **Return Panel Assembly (#09)**.

Secure the **Corner profile (#10)** to the **Return Panel Assembly (#09)** with the **ST4.0 x 10 Pan head screw (#04)**.
(Fig 5)

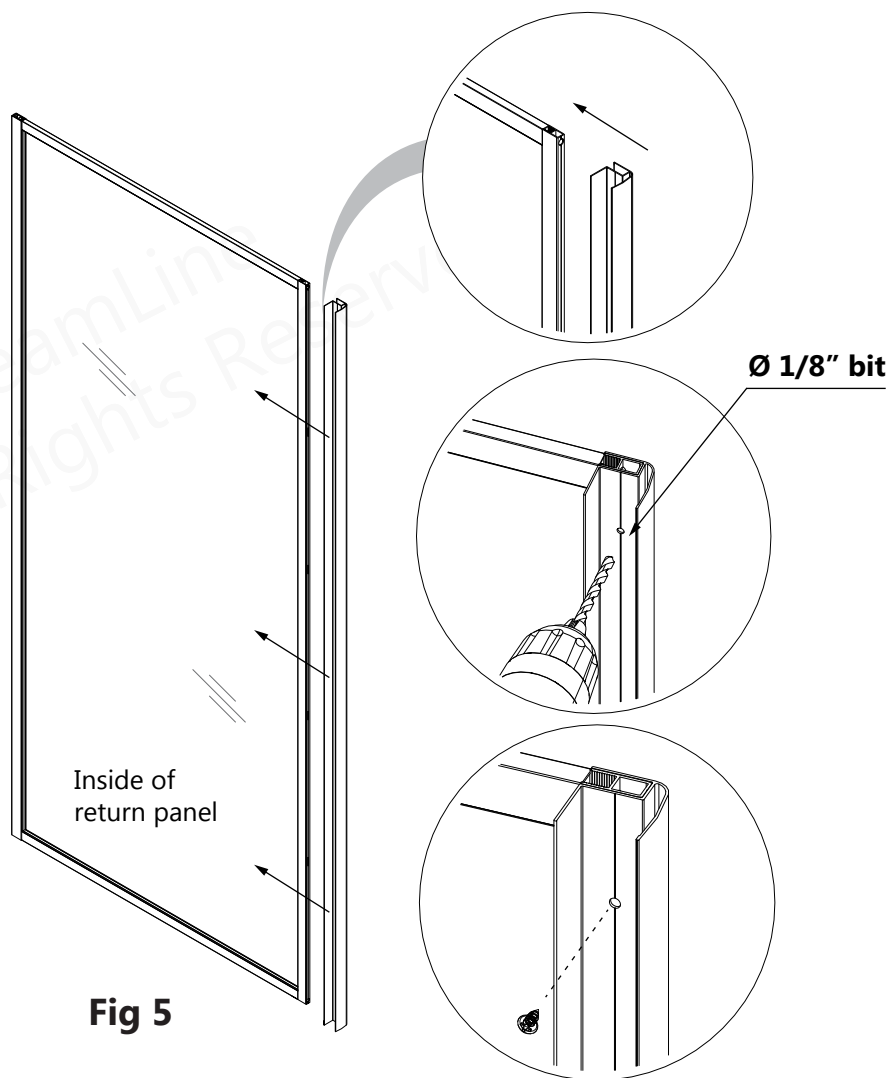


Fig 5

6. Slide the **Return Panel Assembly (#09)** into the **Return Panel Wall Profile (#11)**.
(Fig 6)

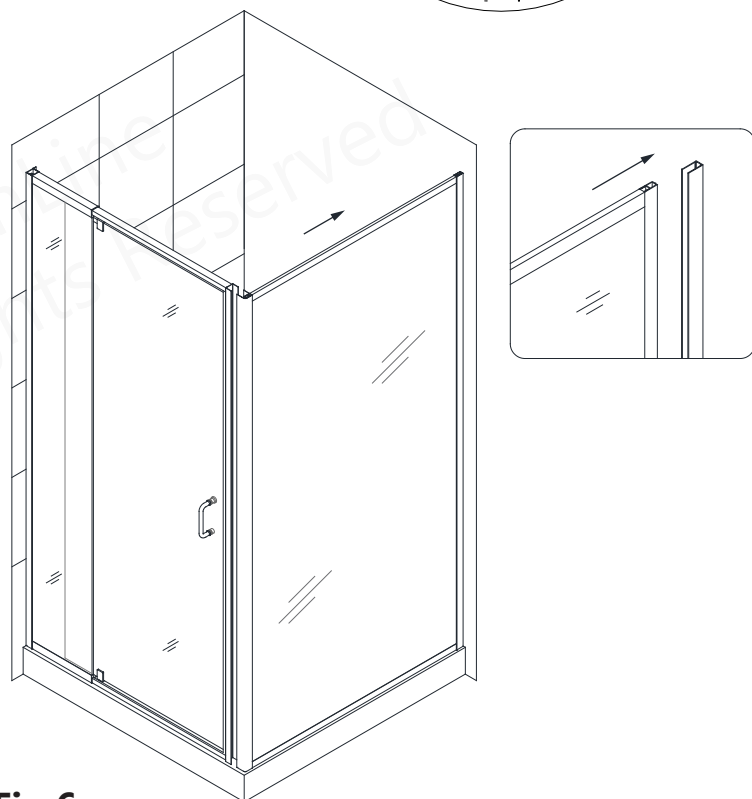


Fig 6

7. Extend the width of the **Door assembly (#02)** by sliding the top and bottom expanding rails toward the **Corner profile (#10)**. Insert the Door Glass side into the **Corner profile (#10)**. (**Fig7**)

NOTE:

The maximum adjustment of the Expanding rails is 3".
Do not expand the rails more than 3".

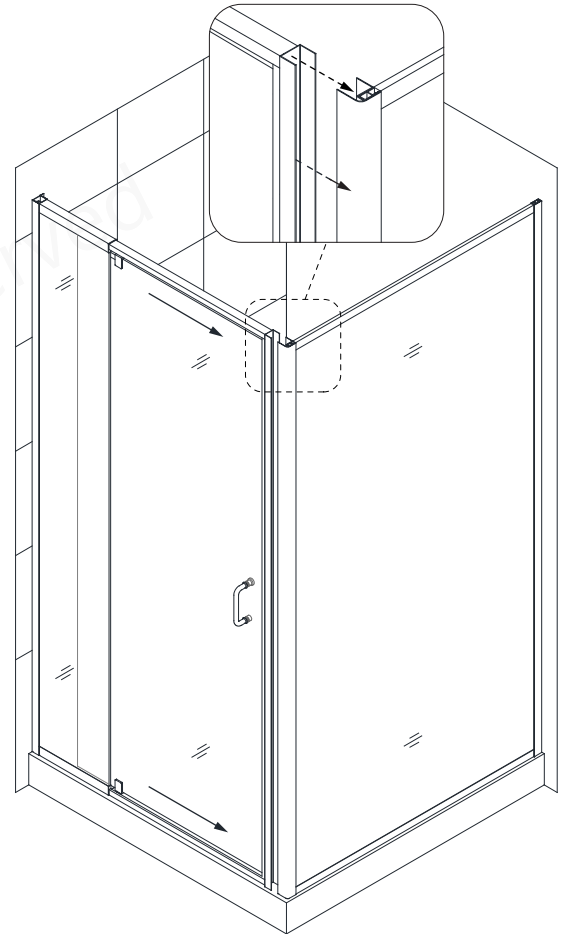
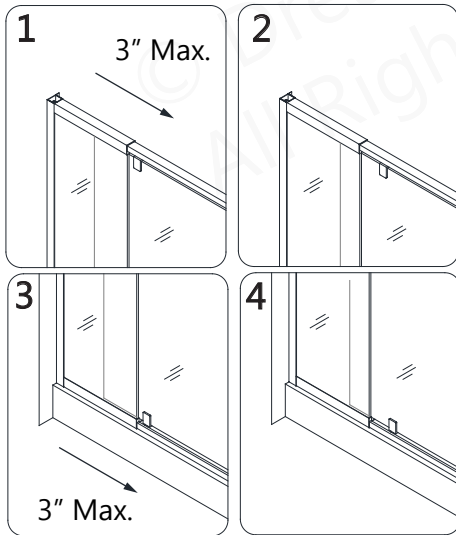
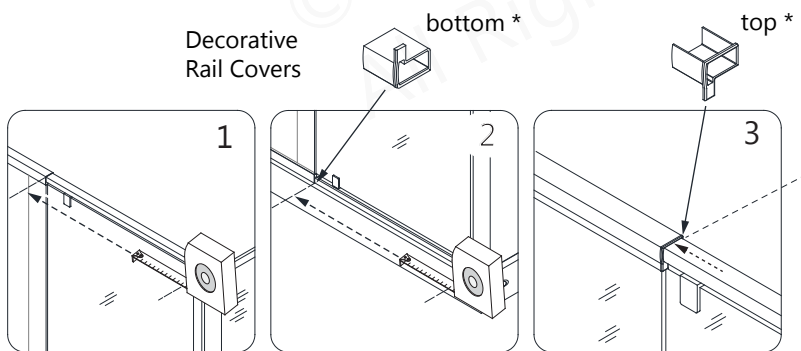


Fig 7

8. Make sure the **Door assembly (#02)** is fully extended into the **Wall profile (#01)** and the **Corner Profile (#10)**. Adjust top and bottom **Expanding rails** to the same length, making the door area square. Use a tape measure for accuracy. Make sure that the top and bottom decorative rail covers are tight after adjusting the expanding rails. (**Fig 8**)



* Right-hand door installation shown for example

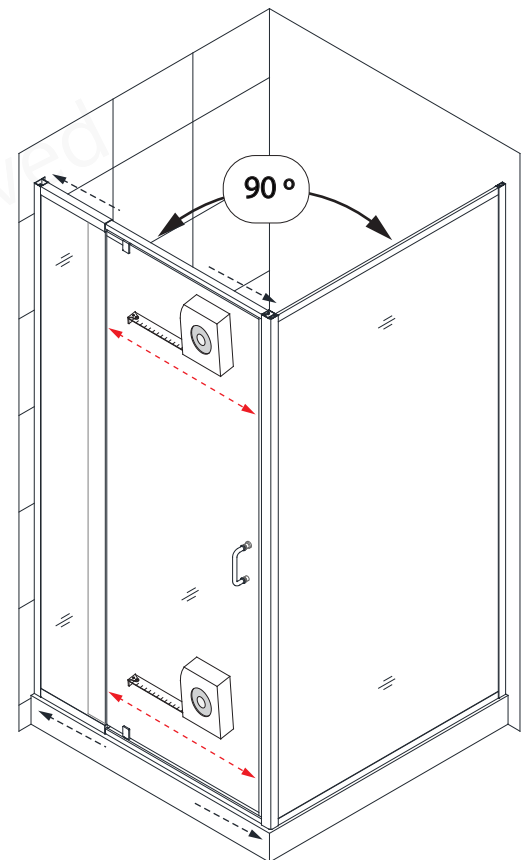


Fig 8

9. From inside the shower, drill holes into the top and bottom Expanding rails through the predrilled holes using an $\text{Ø } 1/8''$ drill bit.

ATTENTION:

Drill only through the first layer of the Expanding rail.

Secure the Expanding rails using **ST4.0 x 10 Pan head screw (#04)** with the raised white washers. Cover exposed screw heads with **Decorative covers (#06)**. (Fig 9)

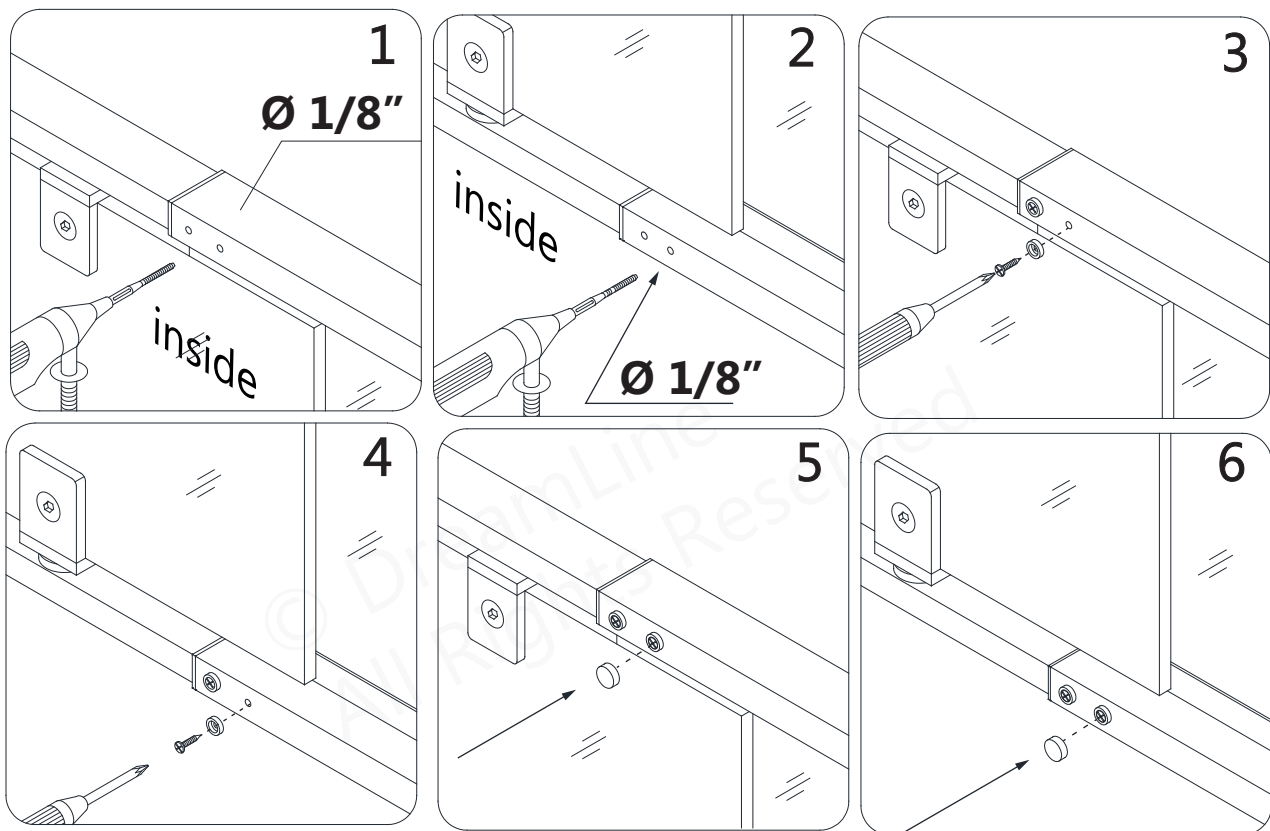
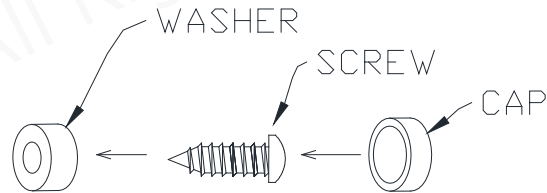


Fig 9

10. Perform the final adjustments to the **Door assembly (#02)** and **Return panel glass (#09)** as necessary. Operate the Door Glass to **make sure that the magnetic strips are aligned** and make full contact from top to bottom. Drill holes into the aluminum profile of the Door assembly through the predrilled holes in the **Wall profile (#01)** using an $\text{Ø } 1/8''$ drill bit. Drill $\text{Ø } 1/8''$ holes into the aluminum profile through the predrilled holes in the **Return panel wall profile (#11)**.

ATTENTION:

Drill only through the first layer of the profiles.

Secure the **Door assembly (#02)** to the **Wall profile (#01)** and the **Return panel assembly (#09)** to the **Return panel wall profile (#11)** using the **ST4.0 x 10 Pan head screw (#04)** with the raised white washers. Cover the exposed screws with the **Decorative covers (#06)**. (Fig 10)

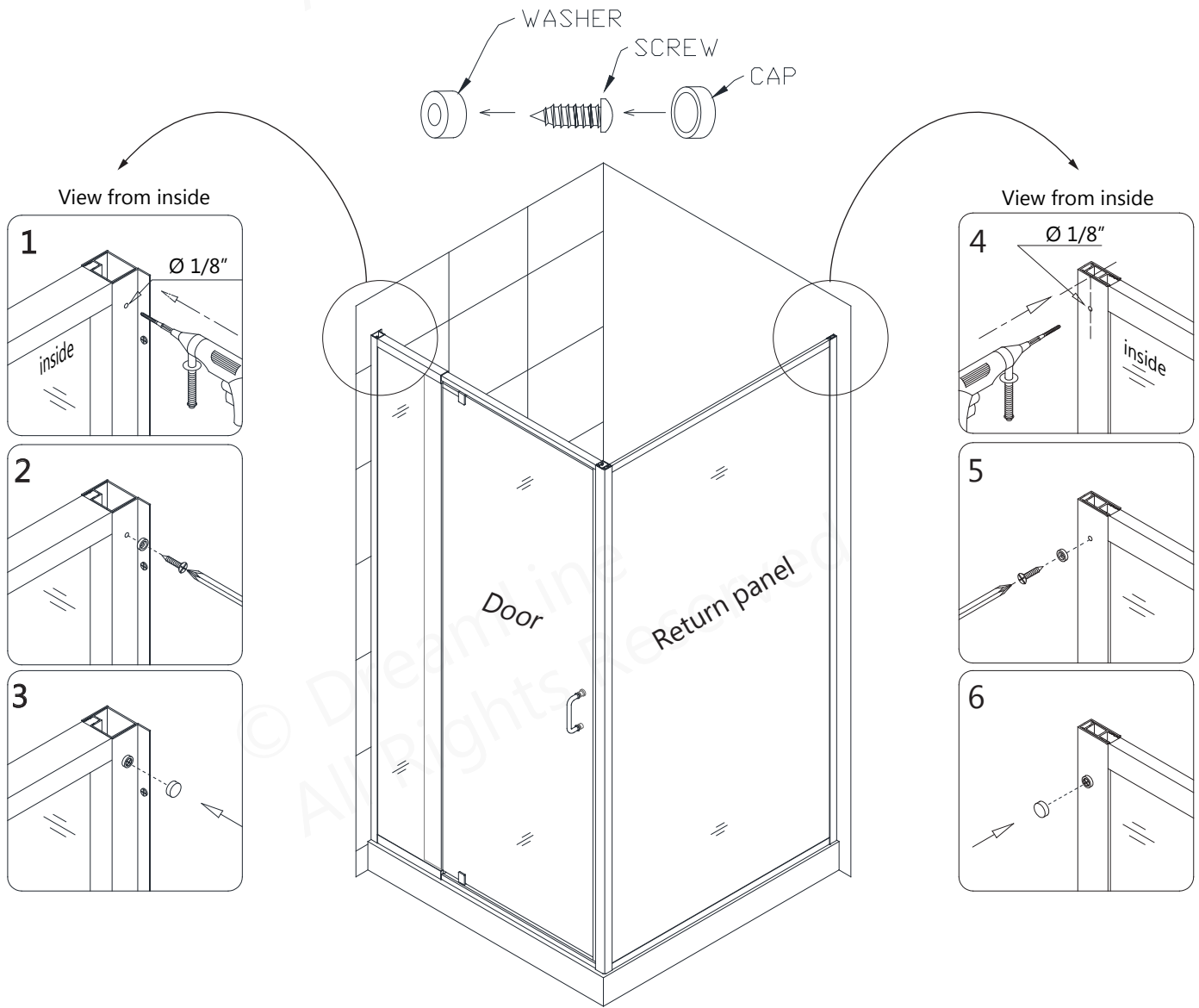


Fig 10

RIGHT-HAND RETURN PANEL SHOWN AS AN EXAMPLE

11. Drill holes into the aluminum profile of the **Door assembly (#02)** through the predrilled holes in the **Corner Profile (#10)** using an **Ø 1/8"** drill bit. Secure the Door assembly inside the **Corner Profile (#10)** using the **ST4.0 x 10 Pan head screw (#04)** with the raised white washers. Cover the exposed screw heads with the **Decorative Covers (#06)**. (**Fig 11**)

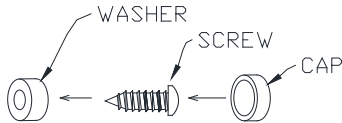
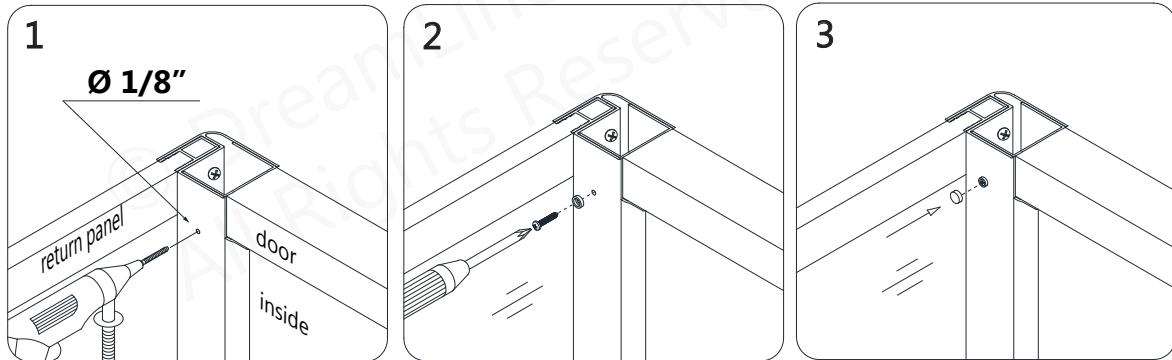


Fig 11

RIGHT-HAND RETURN PANEL SHOWN AS AN EXAMPLE

12. Attach the **Vinyl Seal with Flexible Fin (#07)** to the vertical edge of the Stationary panel glass. Measure and cut the **Bottom Sweep vinyl (#08)** to cover the bottom edge of the door from the pivot to both sides of the Glass door. Attach both pieces of the **Bottom Sweep vinyl** to the bottom edge of the Glass door. (**Fig 12**)

NOTE: Measure to the edge of the door and notch the **Bottom Sweep vinyl (#08)** with a razor knife to fit around the magnetic strip, leaving the flexible sweep intact.

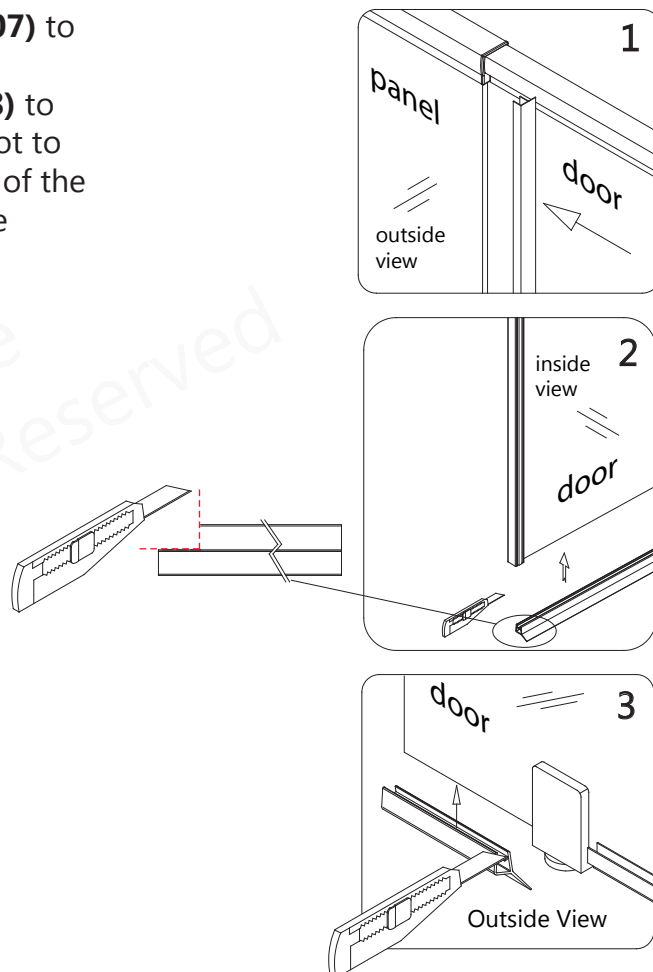


Fig 12

13. Apply a good quality mildew-resistant silicone along the interior perimeter where the profiles meet the walls and threshold. **(Fig 13)**



**The surfaces need to be clean and free of debris before applying silicone.
Allow 24 hours for the silicone to cure before using the shower.**

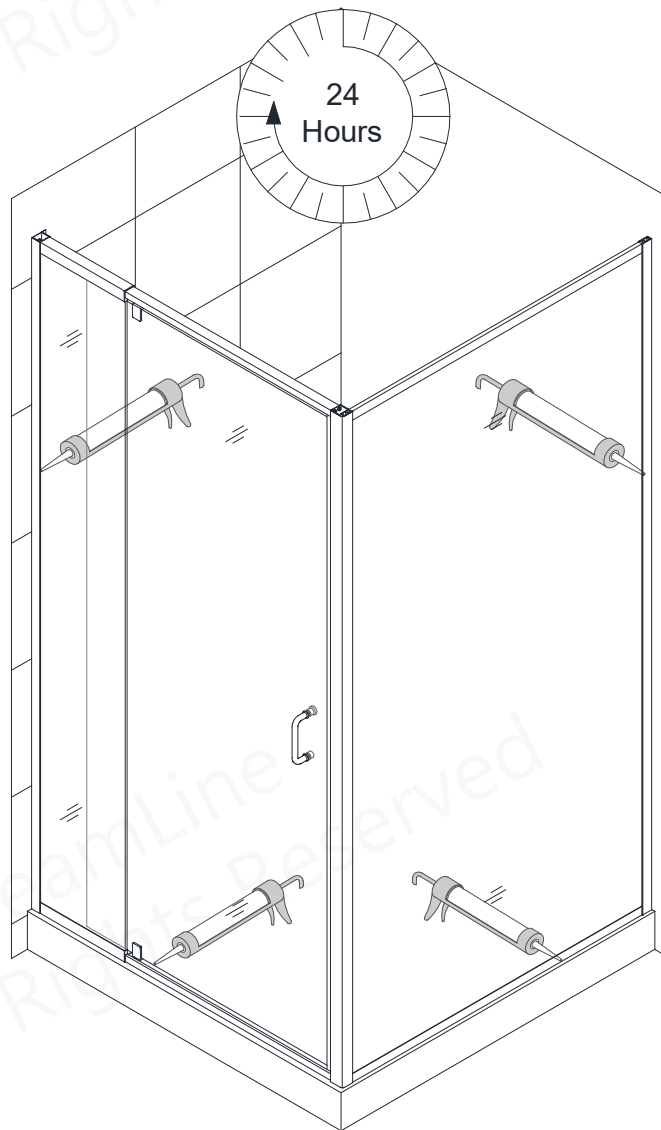


Fig 13

RIGHT-HAND RETURN PANEL SHOWN AS AN EXAMPLE

Product Maintenance

BASES and BACKWALLS: To ensure long-lasting life for your acrylic back walls, wipe them off after each use with a soft cloth. To clean the acrylic back walls use non-abrasive sprays or cream based cleaners. Avoid the use of aerosol spray cleaners. Never use abrasive cleansers, metal brushes or scrapers that could scratch or dull the surface.

GLASS: To ensure long-lasting life for your glass shower products, wipe them off after each use with a soft cloth. Rinse and wipe off the glass using either a soft cloth or a squeegee to prevent soap buildup and water spots (Hard water can etch the surface of the glass over time if left to dry). To prevent scratching the surface: never use abrasive cleaners or cleaning products that contain scouring agents. Never use bristle brushes or abrasive sponges that may scratch the surface.

HARDWARE: To ensure a long-lasting finish, wipe off the metal parts after each use with a soft cloth. Do not use abrasive cleaners or cleaning products containing ammonia, bleach or acid. If accidentally used, rinse the surface as soon as possible to prevent damage to the finish (peeling or corrosion). After cleaning the polished finishes, rinse thoroughly and wipe dry with soft cloth. Clean stainless steel surfaces at least once a week. When applying stainless steel cleaner or polish to stainless steel hardware, work with (not across) the grain. Never use an abrasive sponge or cloth, steel wool or wired brush as these may permanently scratch the surfaces.

NOTE: To maximize the life of your door, it is important to regularly inspect the glass and all hardware for misalignment, proper attachment, and/or damage. Contact DreamLine® with any questions or concerns.

DreamLine® shower doors and enclosures are designed not to leak when installed properly and the flow of water is not pointed directly at the door pivots or vinyl seals.

© DreamLine
All Rights Reserved



TEL: 866-731-2244
FAX: 866-857-3638
DREAMLINE.COM

For more information on DreamLine® Shower Doors and Enclosures please visit **DreamLine.com**