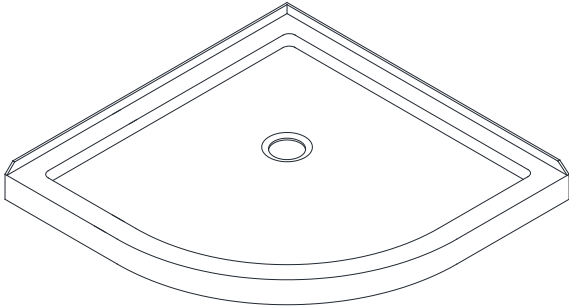
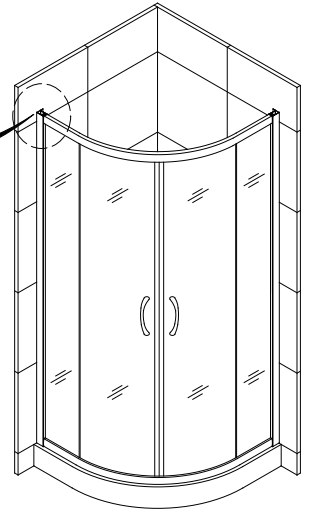
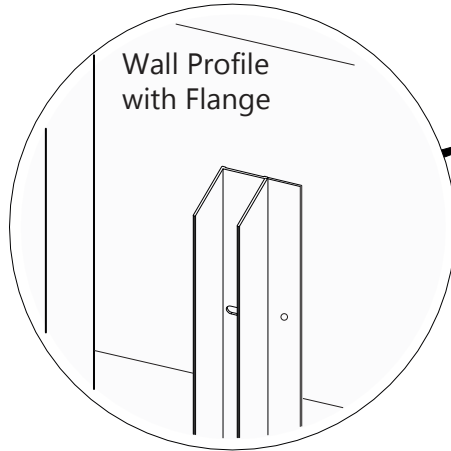


# PRIME

## SHOWER ENCLOSURE & BASE INSTALLATION INSTRUCTIONS



**STEP 1: Shower Base Installation Instructions**



**STEP 2: Shower Enclosure Installation Instructions**

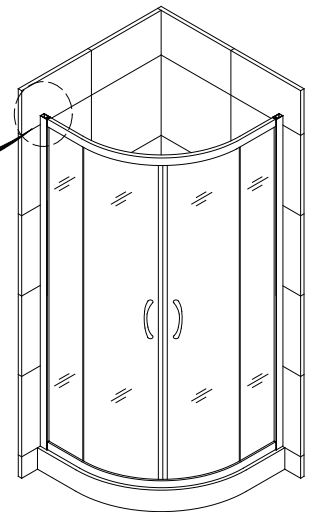
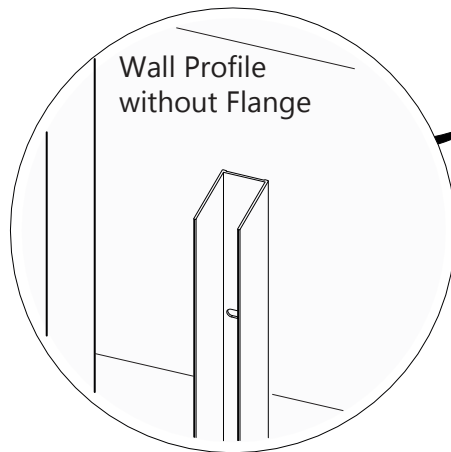
**!** CHOOSE the **APPROPRIATE MANUAL** for your model version

Wall Profile **WITH** Flange:  
PRIME Manual Ver 1 Rev 3 122015

OR

Wall Profile **WITHOUT** Flange:  
PRIME Manual Ver 2 Rev 1b 032019

OR



[CLICK HERE FOR MODEL SKU #s](#)



**Questions?**

Please Call DreamLine Customer Support: **1-855-831-2126**  
Hours of Operation M-F 8AM - 7PM EST and Saturday 9AM - 5PM EST

[Support@DreamLine.com](mailto:Support@DreamLine.com)



For more information about DreamLine<sup>®</sup> products please visit [DreamLine.com](http://DreamLine.com)

# Prime Shower Enclosure and Base SKUs

## Model Numbers:

DL-6701-01CL  
DL-6701-01FR  
DL-6701-04CL  
DL-6701-04FR  
DL-6701-22-01  
DL-6701-22-01FR  
DL-6701-22-04  
DL-6701-22-04FR  
DL-6701-89-01  
DL-6701-89-01FR  
DL-6701-89-04  
DL-6701-89-04FR  
DL-6702-01CL  
DL-6702-01FR  
DL-6702-04CL  
DL-6702-04FR  
DL-6702-22-01  
DL-6702-22-01FR  
DL-6702-22-04  
DL-6702-22-04FR  
DL-6702-89-01  
DL-6702-89-01FR  
DL-6702-89-04  
DL-6702-89-04FR  
DL-6703-01CL  
DL-6703-01FR  
DL-6703-04CL  
DL-6703-04FR  
DL-6703-22-01  
DL-6703-22-01FR  
DL-6703-22-04  
DL-6703-22-04FR  
DL-6703-89-01  
DL-6703-89-01FR  
DL-6703-89-04  
DL-6703-89-04FR

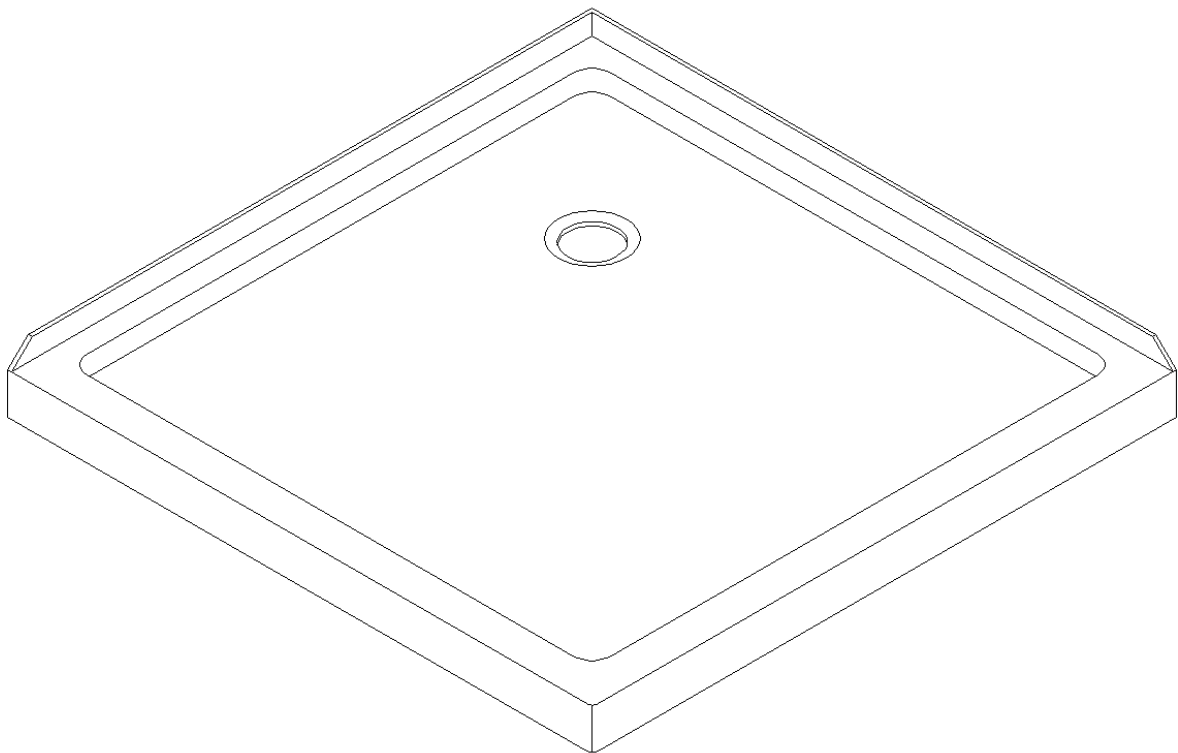


# SLIMLINE SHOWER BASE

## SHOWER BASE DIMENSIONS AND INSTALLATION INSTRUCTIONS

### IMPORTANT

**DreamLine®** reserves the right to alter, modify or redesign products at any time without prior notice for the purpose of product improvement and customer experience. Please refer to the model's web page on **DreamLine.com** for the latest technical drawings, installation manuals, warranty information or additional product details.



Double Threshold Shower Base with Corner Drain Configuration  
shown as an example

### Color options:

- - White
- 22- Biscuit
- 88- Black

**Please review this entire manual before beginning installation**



### Questions?

Please Call **DreamLine Customer Support: 1-855-831-2126**  
Hours of Operation M-F 8AM - 7PM EST and Saturday 9AM - 5PM EST

[Support@DreamLine.com](mailto:Support@DreamLine.com)



**For more information about DreamLine® products please visit [DreamLine.com](http://DreamLine.com)**

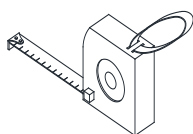
## Preparation

1. Prior to installation, examine all boxes and packages for shipping damage and compare the piece count with your packing slip. After opening all boxes and packages read this introduction carefully. Check that all of the parts are included in the package by checking off the components on the parts list. If the unit has been damaged, has a finishing defect, or has missing parts, please contact our customer support department within **3 business days** of the delivery date. Please note that **DreamLine® will not replace any damaged products or missing parts free of charge after 3 business days or if the product has been installed.** Please contact DreamLine® if with any questions and please provide an order number, job name or other proof of purchase to help identify the original order.
2. Install all of the required plumbing and drainage before installing the shower base. **Use a competent and licensed (if required by local code) plumber for all plumbing installation.**
3. **Shower bases must be installed by a licensed plumber. Please note that you should consult your local building codes with questions on installation compliance standards. Building and plumbing codes may vary by location and DreamLine® is not responsible for code compliance standards for your project.**
4. Make sure that prior to the installation the installation surface is leveled and solid and will be able to support the total weight of the unit. Also make sure the walls are at right angles. While some adjustment in leveling of the tray is possible, irregular installation surface level or improper angle of side walls will result in serious problems for your installation. Please note that some adjustments may be necessary during the installation process.
5. **Center drain configurations are centered on the width only. See technical drawing tables for drain locations.**
6. **Drain not included with this product.** The drain opening is 3-3/8" in diameter and **accepts a standard 2" compression fitted drain.**

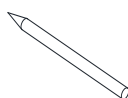
### **IMPORTANT NOTE:**

**Dimensions provided are for reference only. Measure the actual shower tray before installation. This includes overall dimensions and drain location. Allowed tolerance for center of the drain is +/-1/2".**

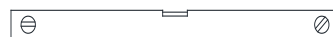
## Tools Required



Tape  
Measure



Pencil



Level

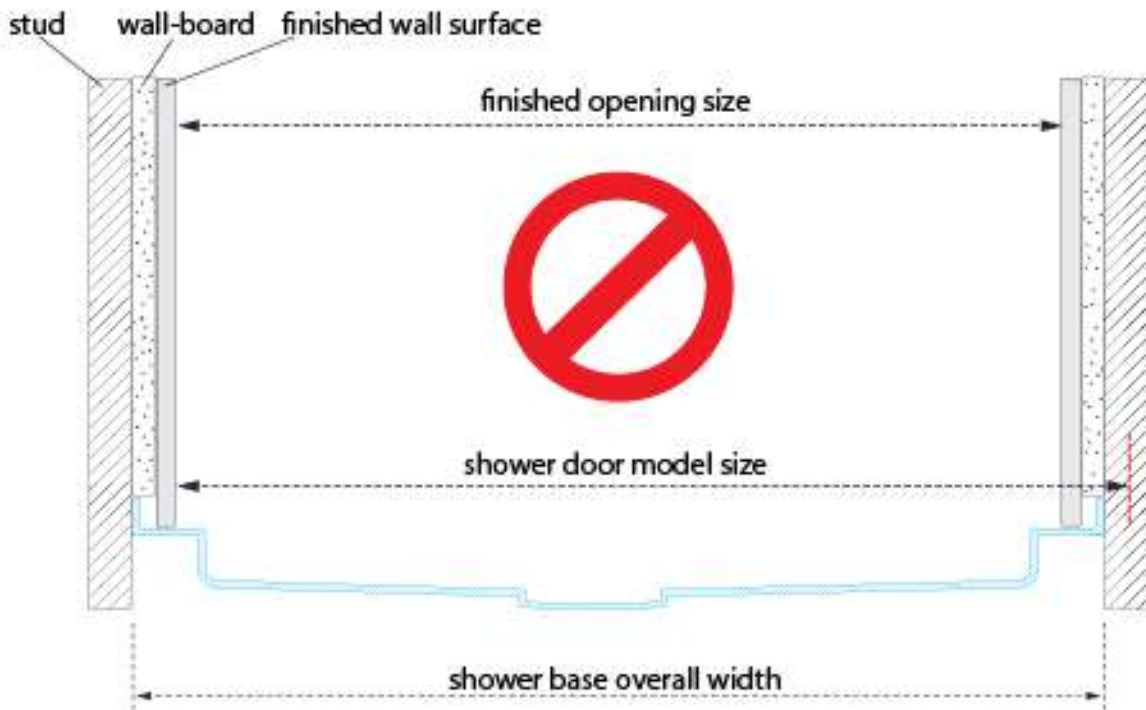
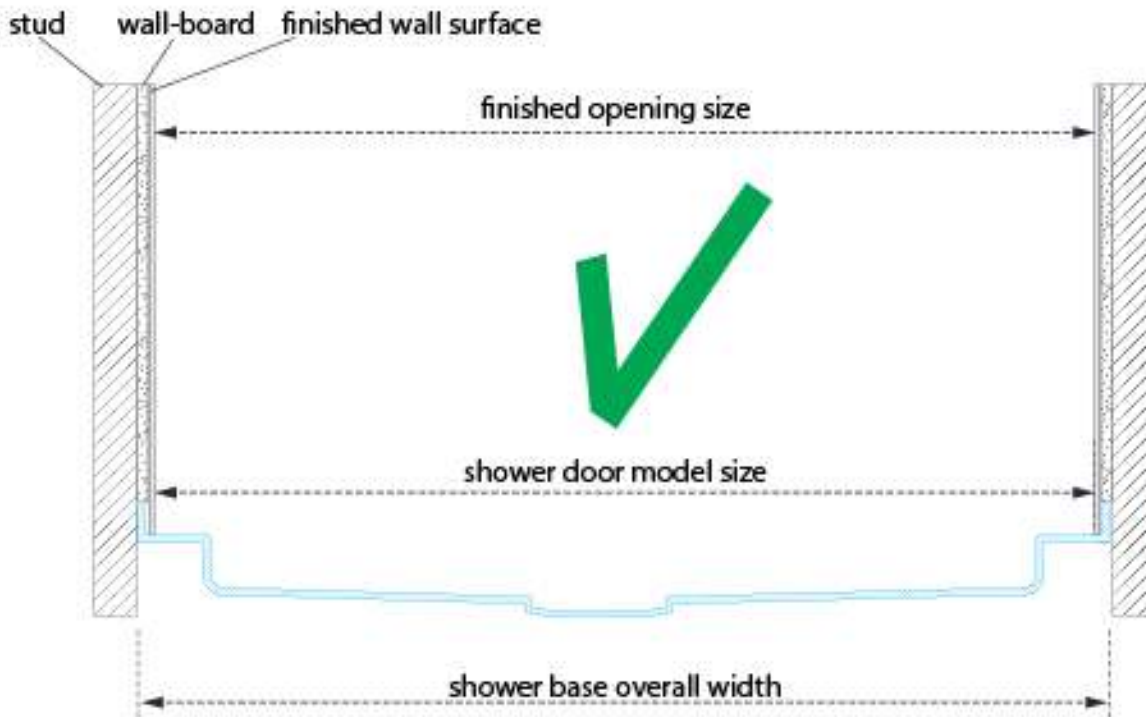


Mortar



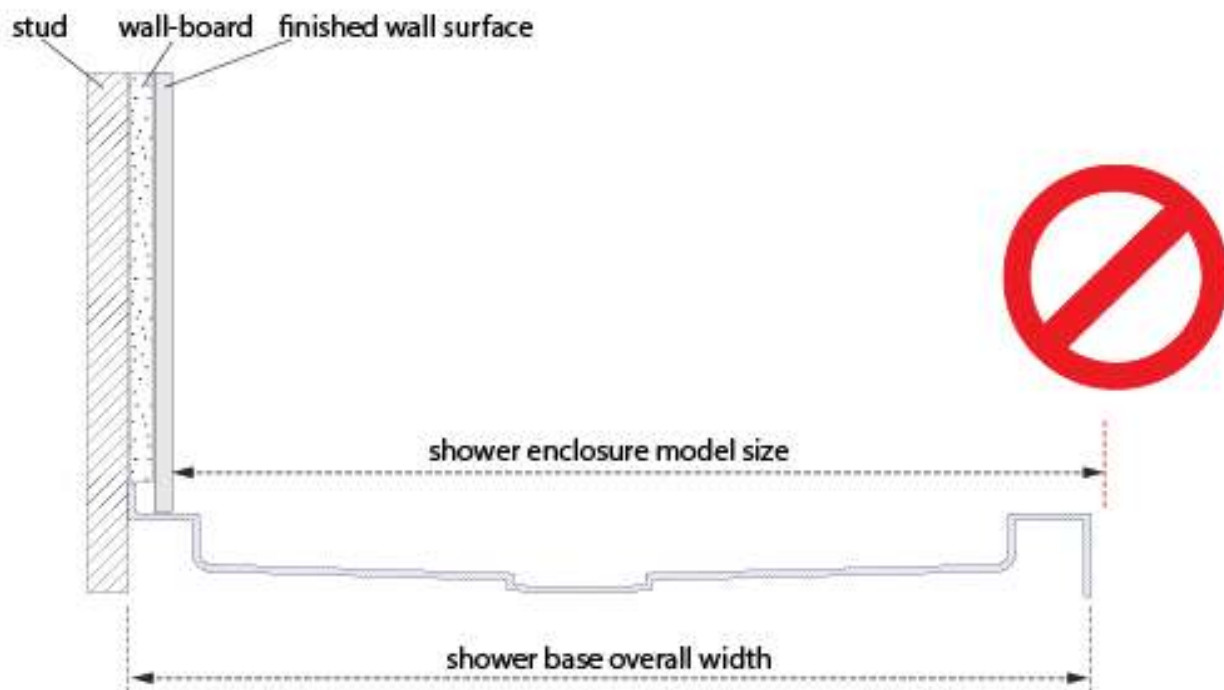
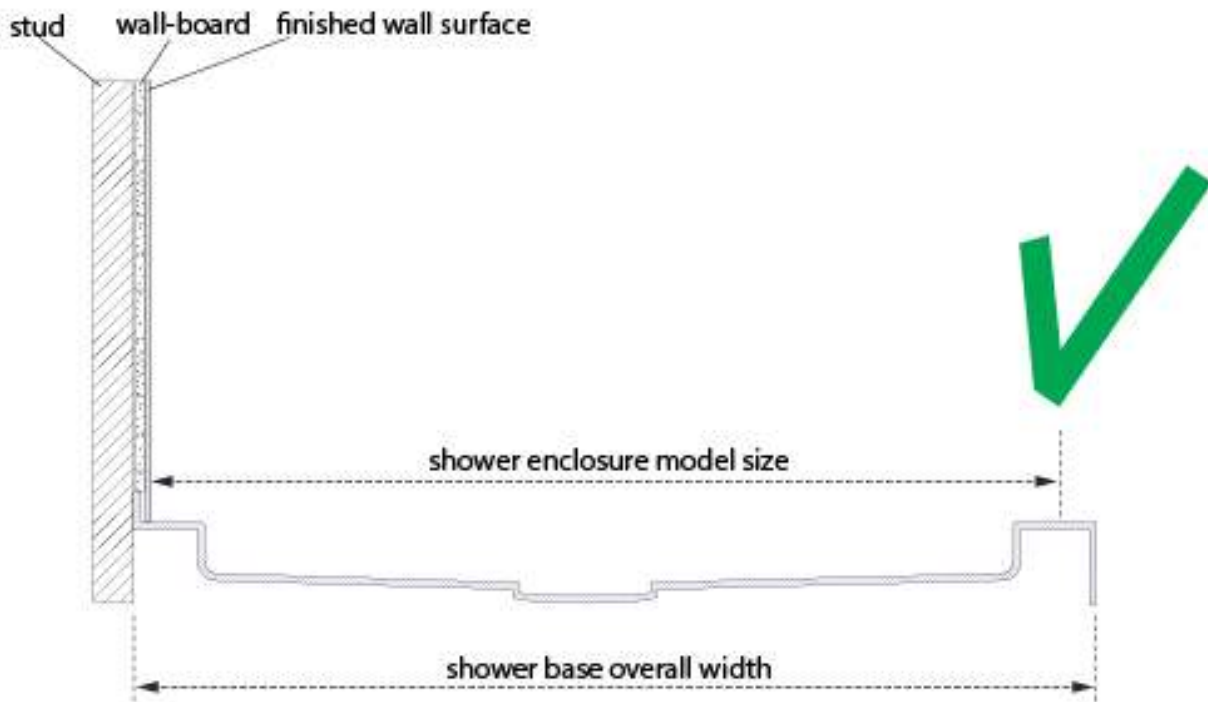
When constructing or installing a shower base, consider how **the thickness of the wall treatment (wallboard, tile, etc.) will affect the finished opening size for the shower door.**

Compare the overall dimensions of the shower door model with the finished opening size before proceeding with the installation.



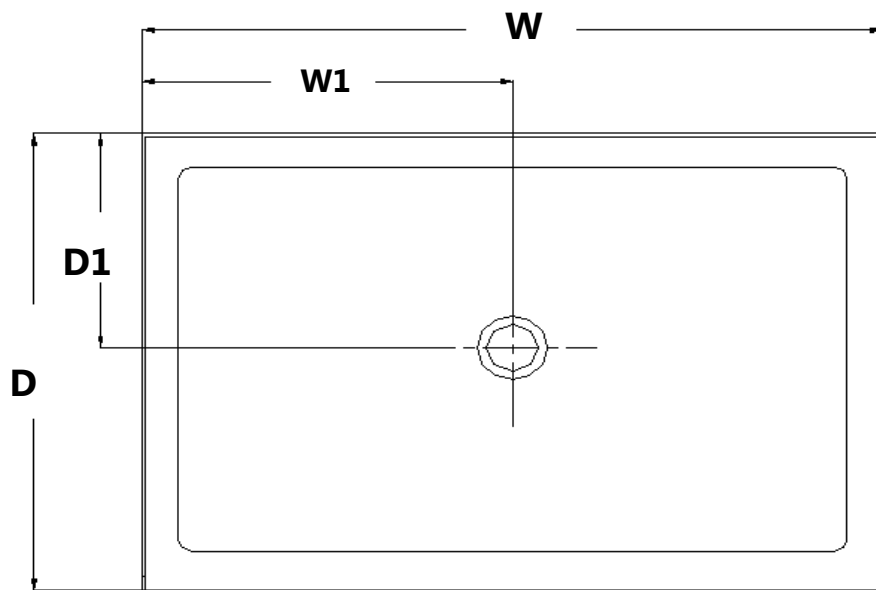
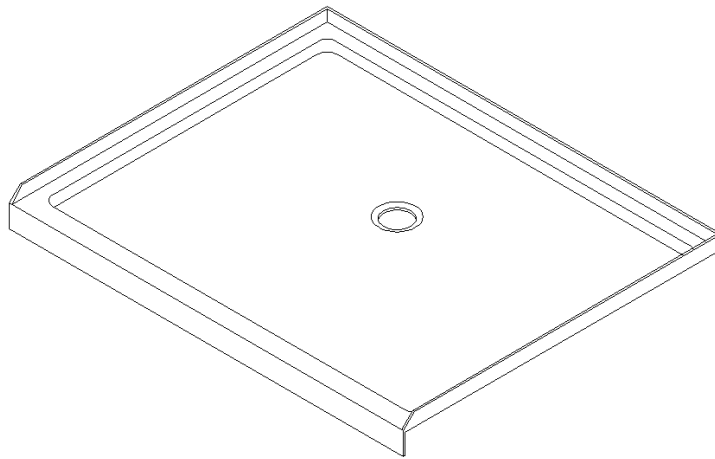


When constructing or installing a shower base, consider how **the thickness of the wall treatment (wallboard, tile, etc.) will affect where the shower enclosure will sit on the threshold.** Compare the overall outside dimensions of the shower enclosure model size with the finished threshold before proceeding with the installation.



## SINGLE THRESHOLD SHOWER BASE

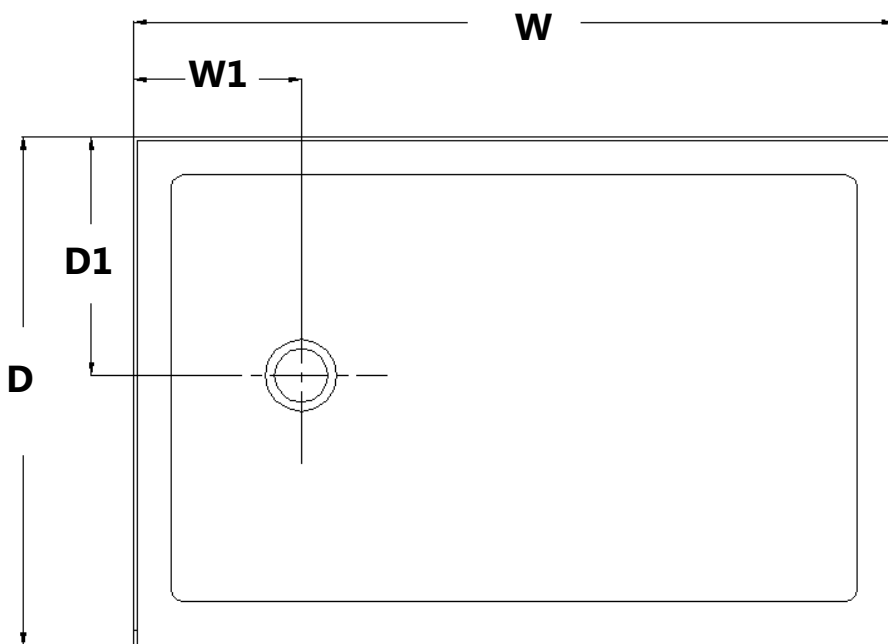
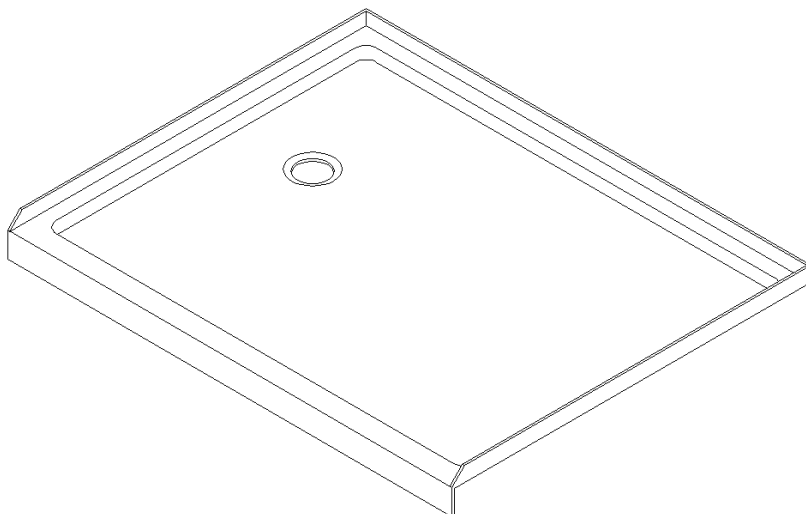
### Center Drain Configuration



MODEL	SPECIFICATION	D (in)	W (in)	D1 (in)	W1 (in)
DLT-1132320	32" x 32"	32"	32"	15"	16"
DLT-1136360	36" x 36"	36"	36"	15"	18"
DLT-1132420	32" x 42"	32"	42"	15"	21"
DLT-1134420	34" x 42"	34"	42"	15"	21"
DLT-1136420	36" x 42"	36"	42"	15"	21"
DLT-1142420	42" x 42"	42"	42"	20"	21"
DLT-1132480	32" x 48"	32"	48"	15"	24"
DLT-1134480	34" x 48"	34"	48"	15"	24"
DLT-1136480	36" x 48"	36"	48"	15"	24"
DLT-1132540	32" x 54"	32"	54"	15"	27"
DLT-1134540	34" x 54"	34"	54"	15"	27"
DLT-1136540	36" x 54"	36"	54"	15"	27"
DLT-1130600	30" x 60"	30"	60"	15"	30"
DLT-1132600	32" x 60"	32"	60"	15"	30"
DLT-1134600	34" x 60"	34"	60"	15"	30"
DLT-1136600	36" x 60"	36"	60"	15"	30"

# SINGLE THRESHOLD SHOWER BASE

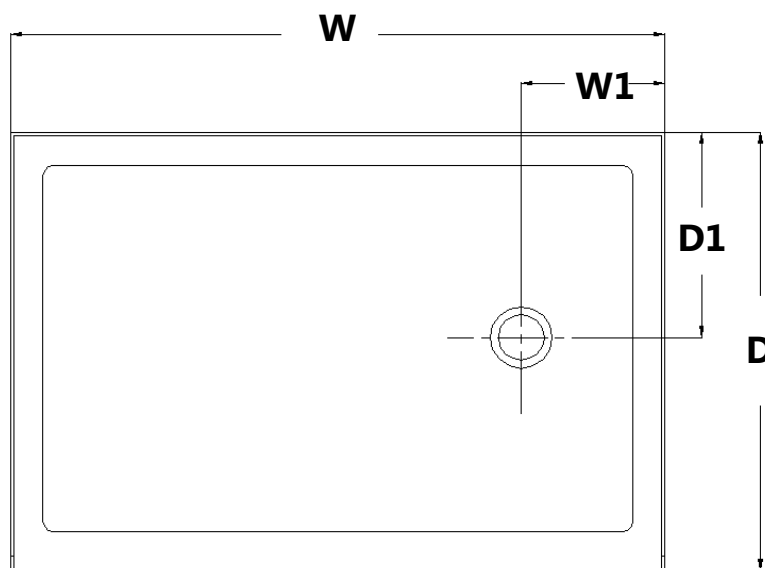
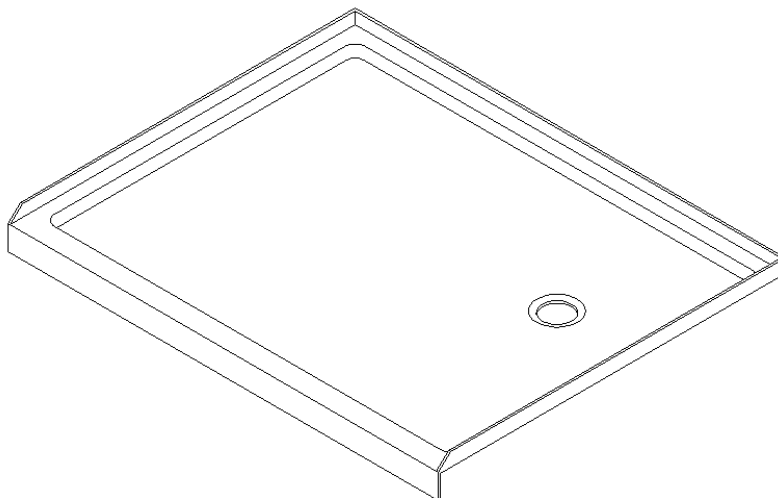
## Left-Hand Drain Configuration



MODEL	SPECIFICATION	D (in)	W (in)	D1 (in)	W1 (in)
DLT-1130601	30"×60"	30"	60"	15"	12"
DLT-1132601	32"×60"	32"	60"	15"	12"
DLT-1134601	34"×60"	34"	60"	17"	12"
DLT-1136601	36"×60"	36"	60"	18"	12"

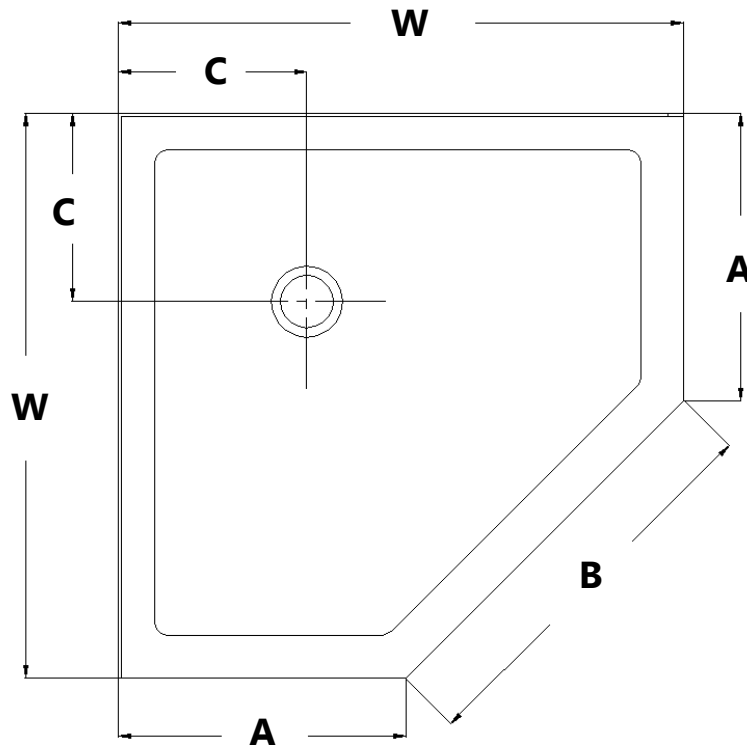
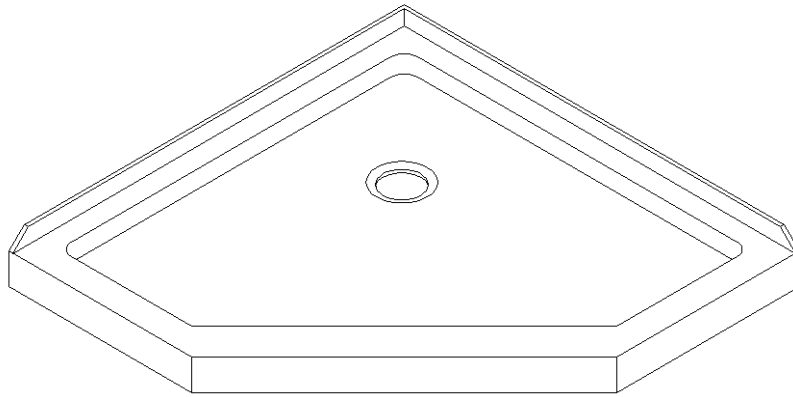
# SINGLE THRESHOLD SHOWER BASE

## Right-Hand Drain Configuration



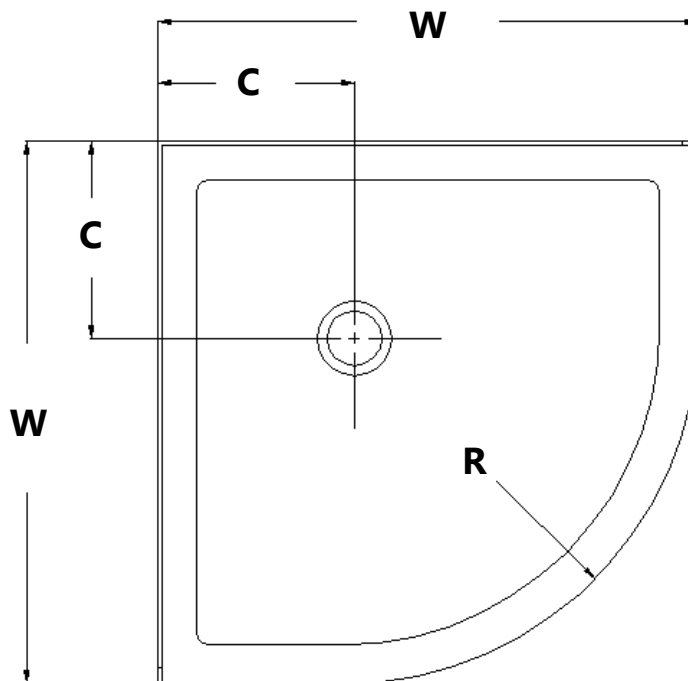
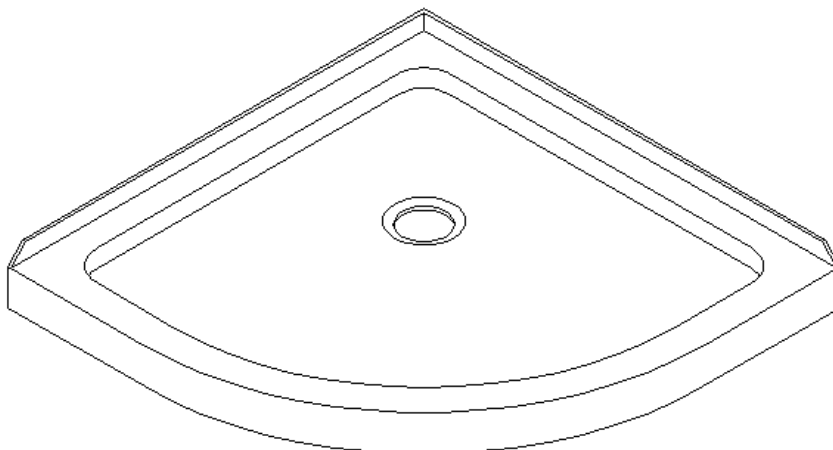
MODEL	SPECIFICATION	D (in)	W (in)	D1 (in)	W1 (in)
DLT-1130602	30"×60"	30"	60"	15"	12"
DLT-1132602	32"×60"	32"	60"	15"	12"
DLT-1134602	34"×60"	34"	60"	17"	12"
DLT-1136602	36"×60"	36"	60"	18"	12"

# NEO ANGLE SHOWER BASE



MODEL	SPECIFICATION	W (in)	A (in)	B (in)	C (in)
DLT-2036360	36"×36"	36"	18 5/16"	25"	12"
DLT-2038380	38"×38"	38"	20 5/16"	25"	12"
DLT-2040400	40"×40"	40"	22 5/16"	25"	14 3/8"
DLT-2042420	42"×42"	42"	24 5/16"	25"	14 3/8"

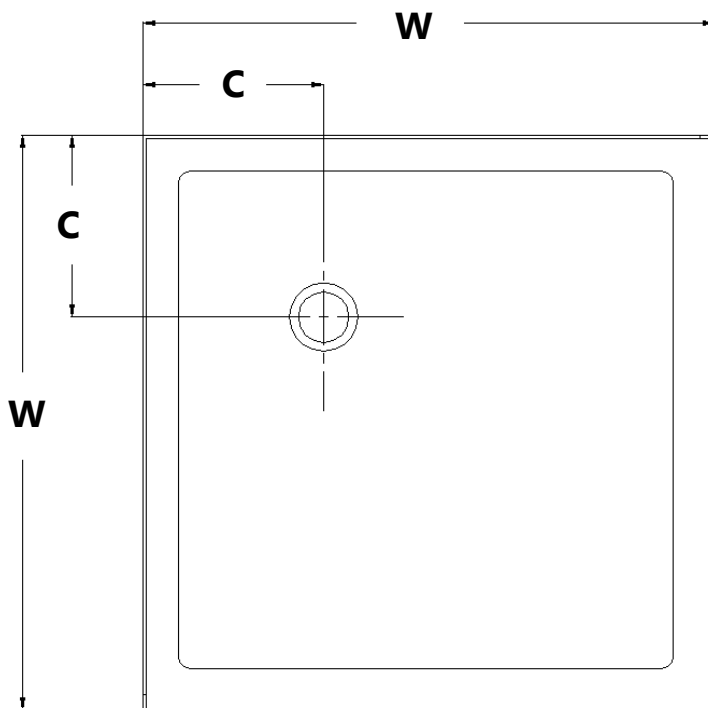
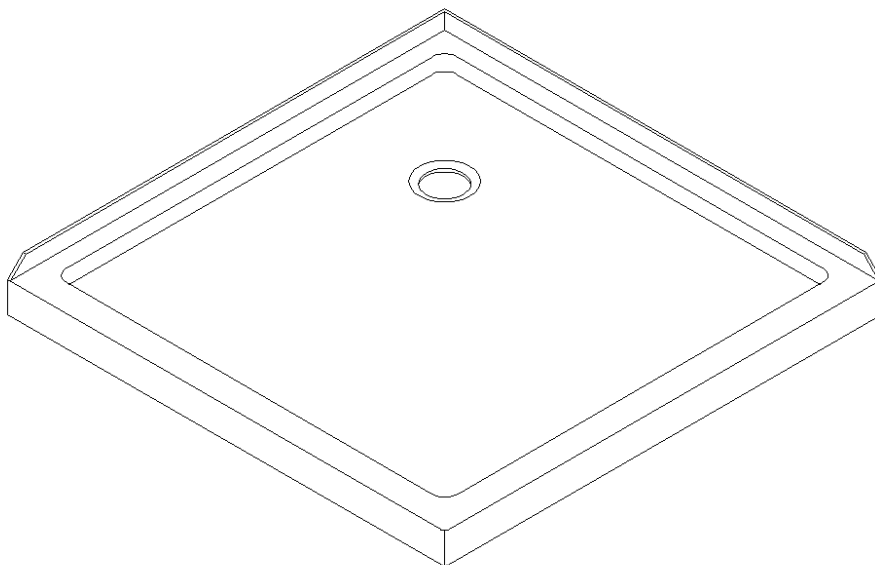
# QUARTER ROUND SHOWER BASE



MODEL	SPECIFICATION	W (in)	C (in)	R (in)
DLT-7033330	33"×33"	33"	12"	21 5/8"
DLT-7036360	36"×36"	36"	12"	21 5/8"
DLT-7038380	38"×38"	38"	12"	21 5/8"

## DOUBLE THRESHOLD SHOWER BASE

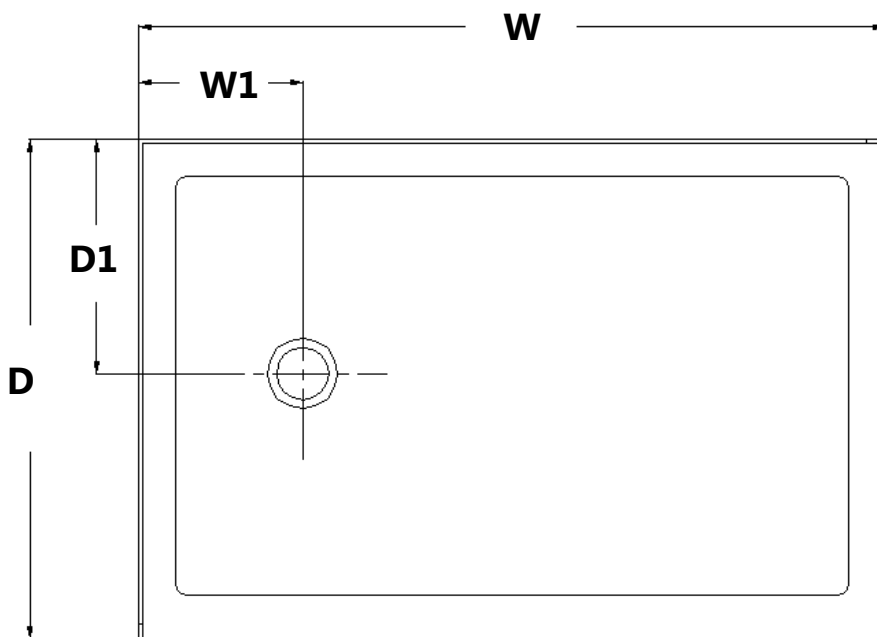
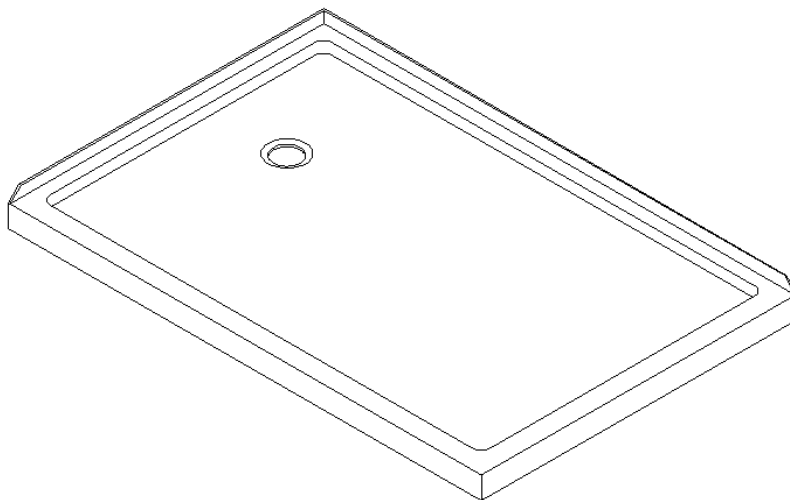
### Corner Drain Configuration



MODEL	SPECIFICATION	W (in)	C (in)
DLT-1032320	32" x 32"	32"	12"
DLT-1036360	36" x 36"	36"	12"
DLT-1042420	42" x 42"	42"	12"

## DOUBLE THRESHOLD SHOWER BASE

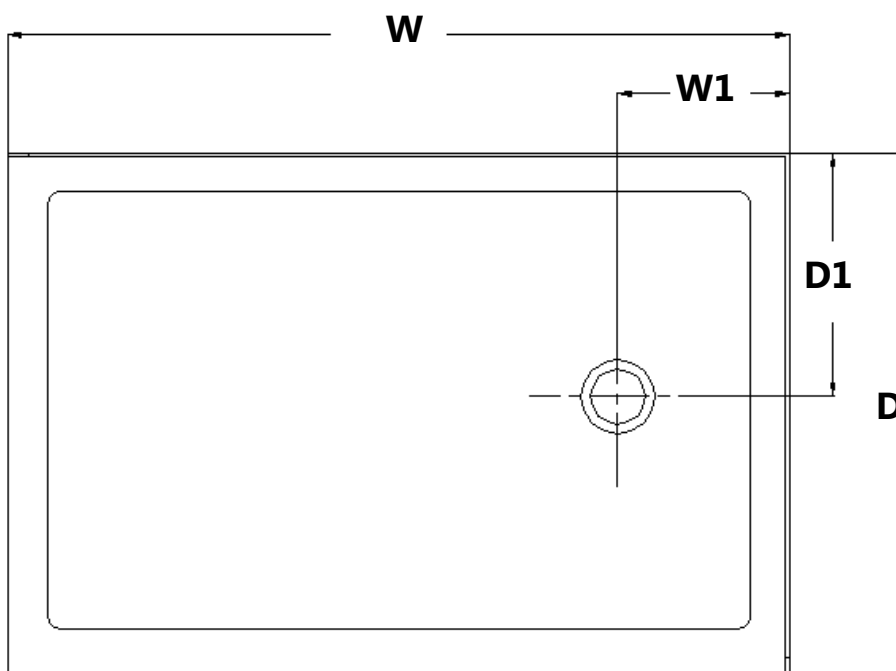
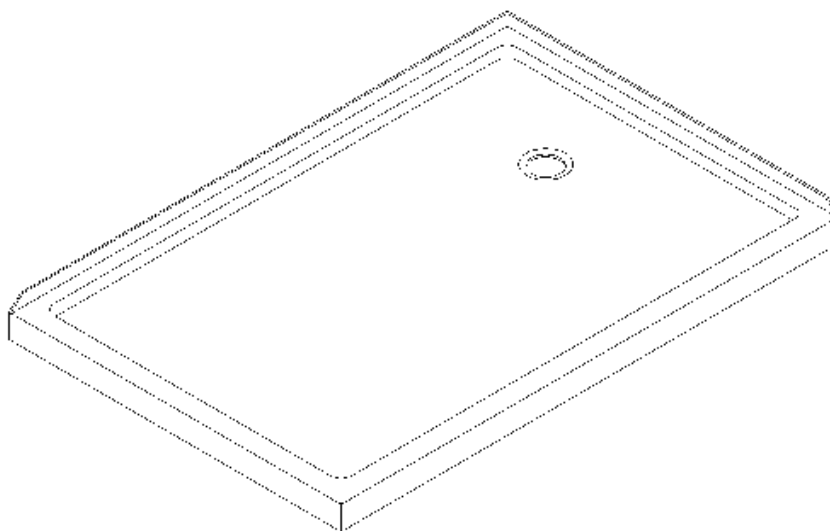
### Left-Hand Drain Configuration



MODEL	SPECIFICATION	D (in)	W (in)	D1 (in)	W1 (in)
DLT-1034481	34"×48"	34"	48"	17"	12"
DLT-1036481	36"×48"	36"	48"	18"	12"
DLT-1036541	36"×54"	36"	54"	18"	12"
DLT-1036601	36"×60"	36"	60"	18"	12"

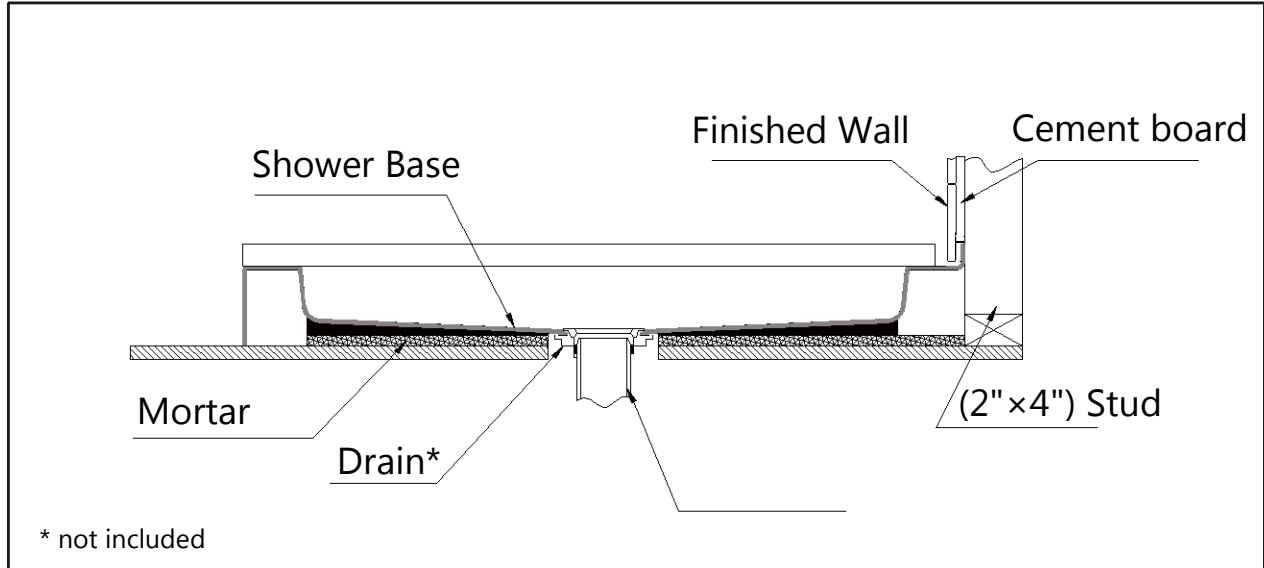
## DOUBLE THRESHOLD SHOWER BASE

### Right-Hand Drain Configuration



MODEL	SPECIFICATION	D (in)	W (in)	D1 (in)	W1 (in)
DLT-1034482	34"×48"	34"	48"	17"	12"
DLT-1036482	36"×48"	36"	48"	18"	12"
DLT-1036542	36"×54"	36"	54"	18"	12"
DLT-1036602	36"×60"	36"	60"	18"	12"

## Shower Base Cross Section Diagram

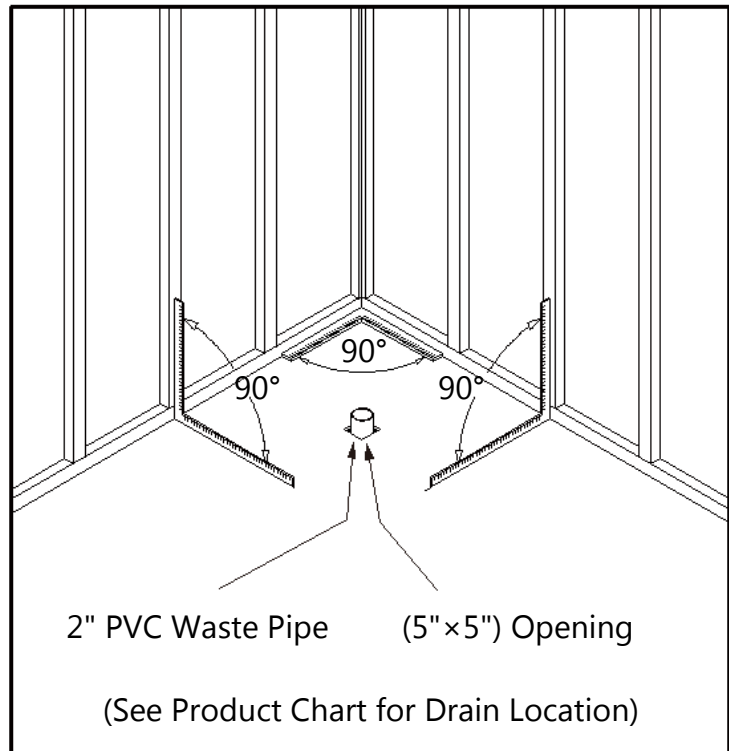


This product should be installed by someone familiar with the construction requirements for this type of project and the care necessary for the safe installation and operation of the product.

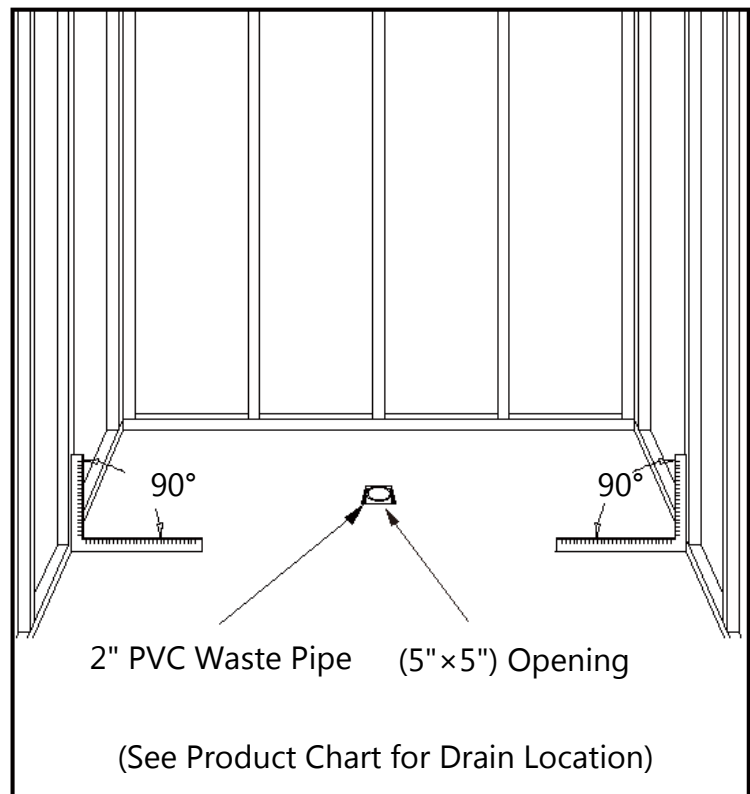
## Shower Base Installation - Preparation

1. Ensure that the floor and the studs are at right angles.  
Provide a 5"×5" opening in the sub-floor for the drain.  
The 2" PVC waste pipe should extend above the surface of the sub-floor according to the drain installation instructions and the height of the Shower base.  
Refer to the product drawings and tables in this installation manual for the drain location.

### **(Fig 1a and Fig 1b)**



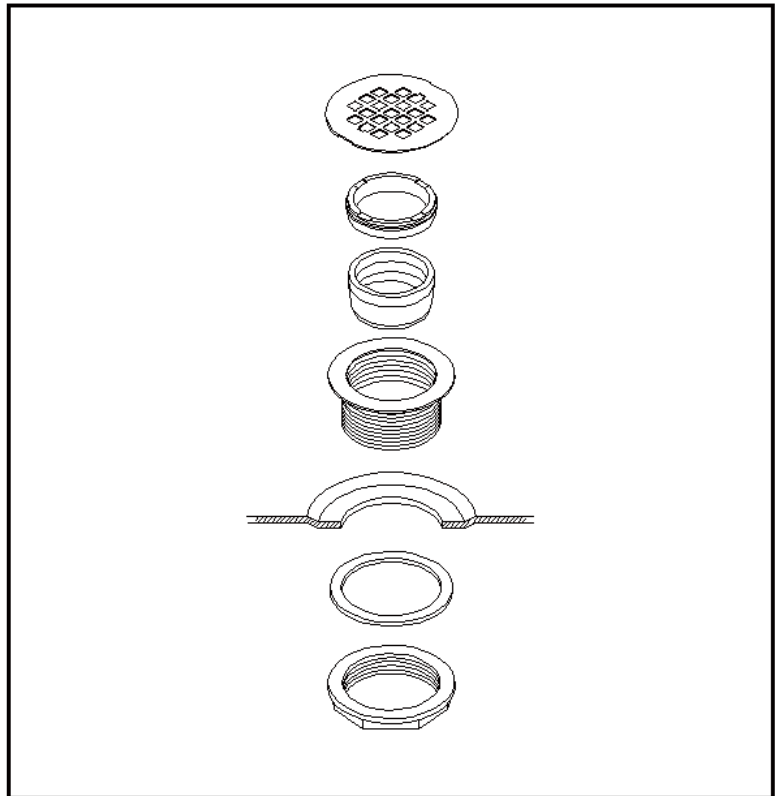
**Fig 1a**



**Fig 1b**

2. Install the shower drain (**NOT INCLUDED**) according to the drain installation manual (supplied with the drain).

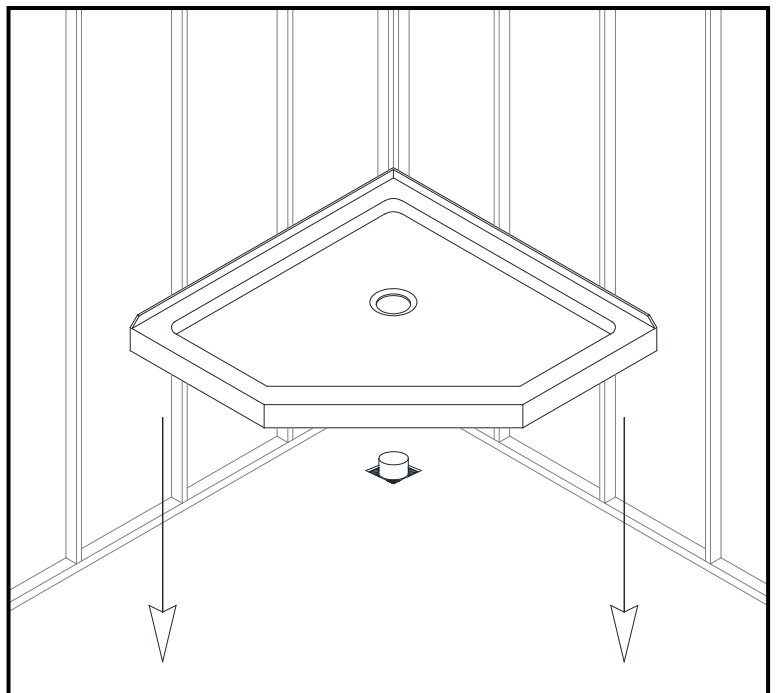
**(Fig 2)**



**Fig 2**

3. Place the tray into the designated position so that the Drain cutout drops around the Drain Pipe and butt the Shower Base up against the studs.

**(Fig 3)**

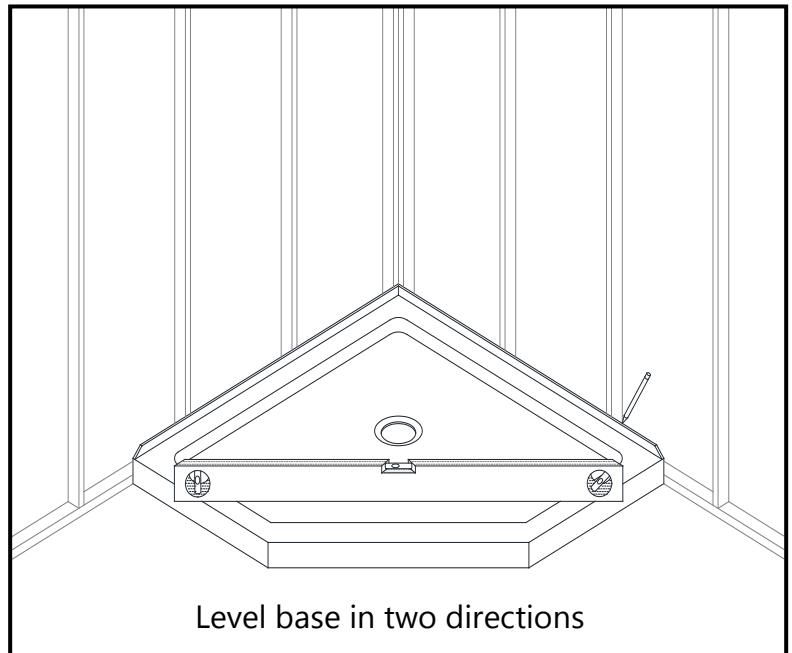


Lower the base over the drain pipe and set it into place against the studs.

**Fig 3**

4. Level the tray and place marks on the studs above the upper edge of the tile flange.

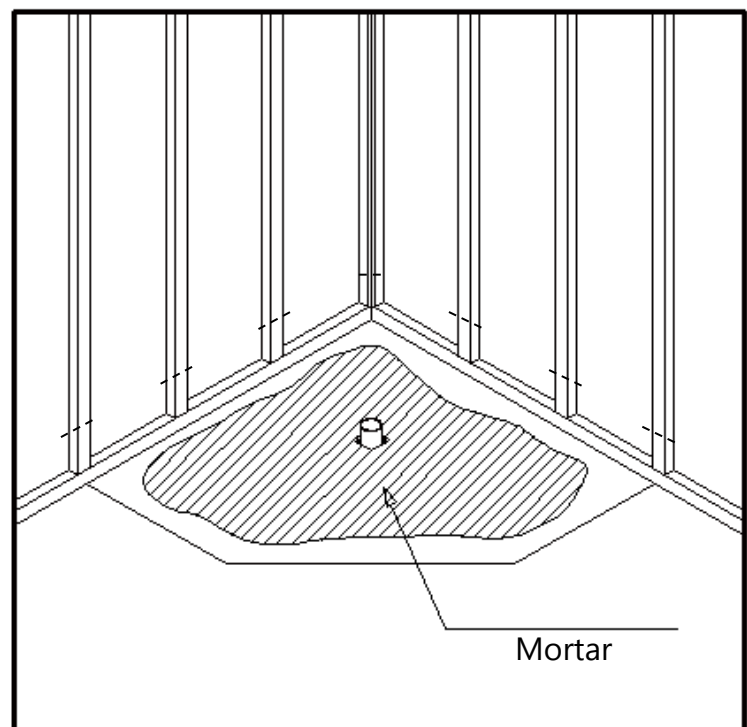
**(Fig 4)**



**Fig 4**

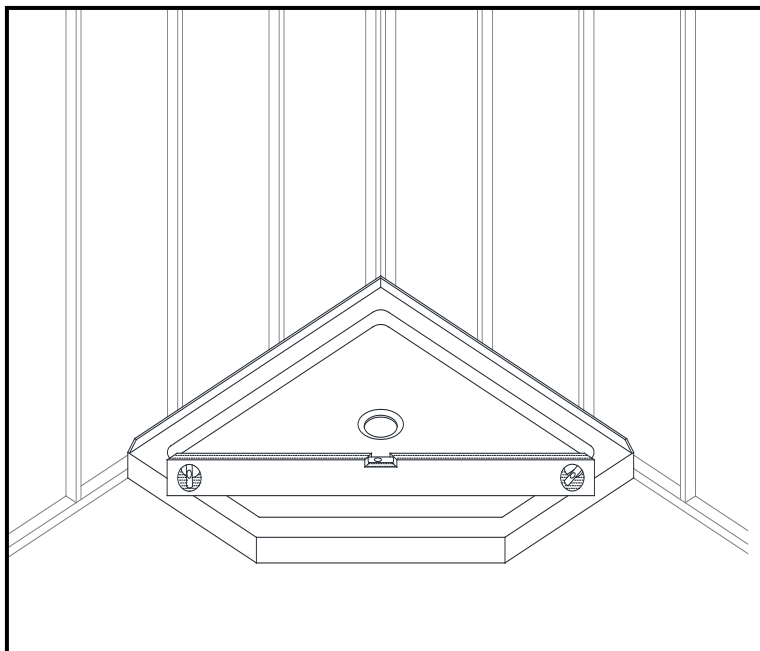
5. Mix the bedding material (Mortar, cement-sand mix, etc.) **Concrete or plaster is not recommended.** Apply enough bedding material to support the entire bottom of the shower base. This will add additional stability and prevent the base from shifting position.

**(Fig 5)**



**Fig 5**

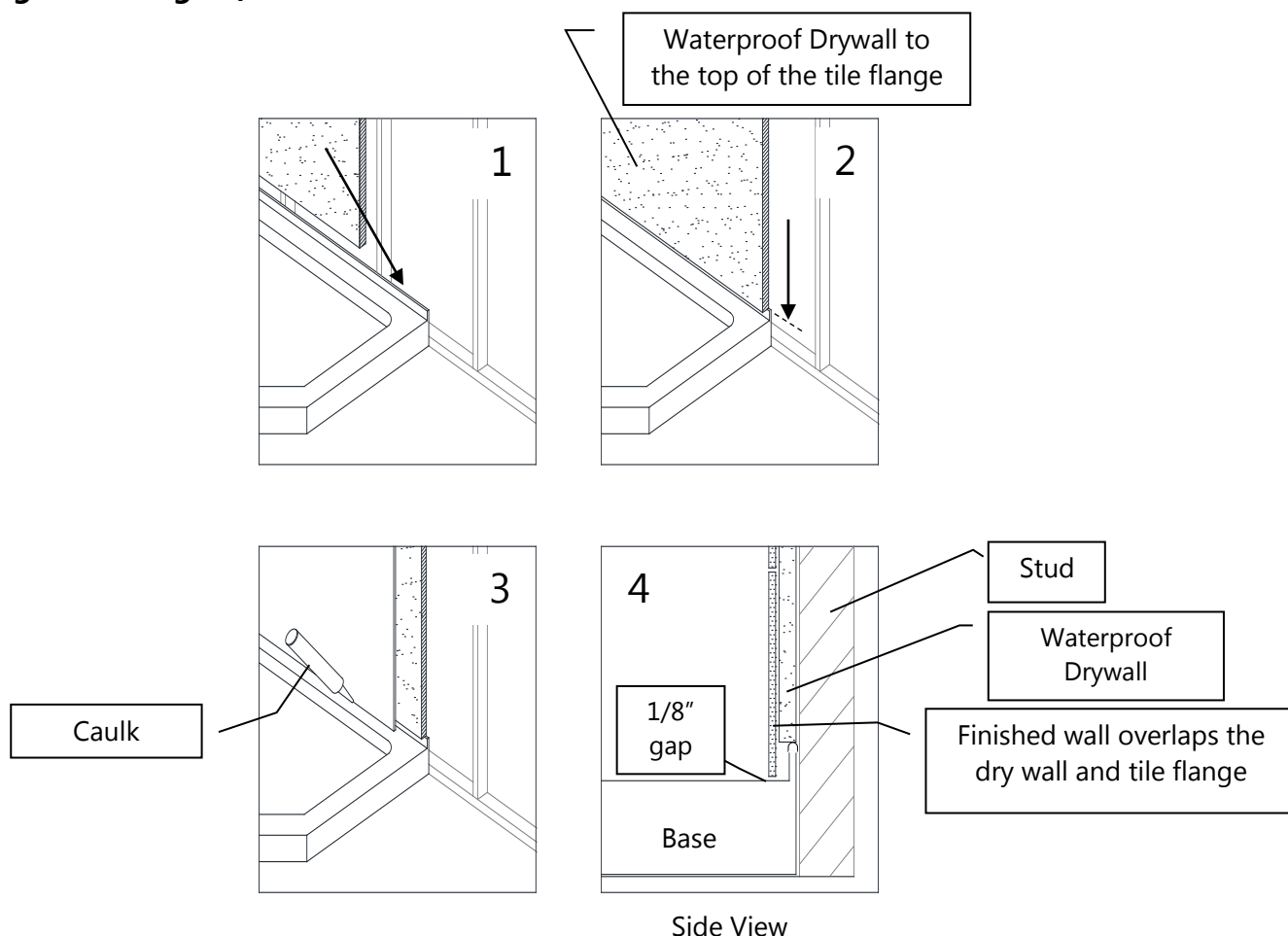
6. After the bedding material has been poured and *before* it sets, place the shower base into the position with the drain assembly sliding over the PVC waste pipe. It will be necessary to push the shower base until the top of the tile flange aligns with the marks drawn on the studs and the front edge is contacting the rough floor along the entire length of the shower base. Ensure that the base is level in all directions. You may need to use shims to hold the tray level until the bedding fully sets. Remove all excess mortar.



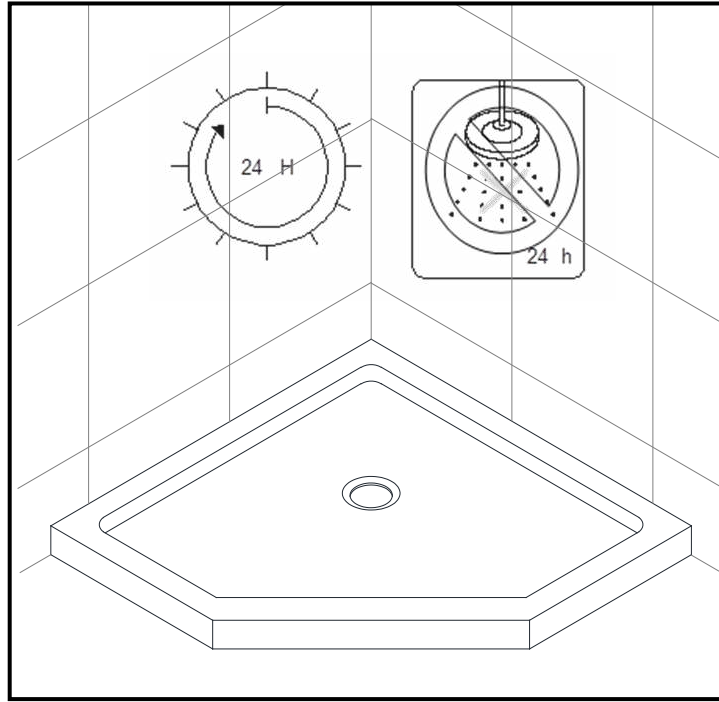
**Fig 6**

7. Allow the bedding material to completely harden before applying weight to the bottom of the shower base. Install the cement board (or the wallboard) above the tile flanges and secure it to the studs. Put the tiles (or other finishing wall material) over the cement board leaving 1/8" gap between the bottom of the tile or wall kit and the shower base. Use caulk to fill the gap.

**(Fig 7a and Fig 7b)**



**Fig 7a**



**Fig 7b**

## **Product Maintenance**

**BASES and BACKWALLS:** To ensure long lasting life for your acrylic base and/or back walls: wipe them off after each use with a soft cloth. To clean the acrylic base or back walls use non-abrasive sprays or cream-based cleaners. Avoid the use of aerosol spray cleaners. Never use abrasive cleansers, metal brushes or scrapers that could scratch or dull the surface.

**GLASS:** To ensure long-lasting life for your glass shower products: wipe them off after each use with a soft cloth. Rinse and wipe off the glass using either a soft cloth or a squeegee to prevent soap buildup and water spots (Hard water can etch the surface of the glass over time if left to dry). To prevent scratching the surface: never use abrasive cleaners or cleaning products that contain scouring agents. Never use bristle brushes or abrasive sponges that may scratch the surface.

**HARDWARE:** To ensure a long-lasting finish: wipe off the metal parts after each use with a soft cloth. Do not use abrasive cleaners or cleaning products containing ammonia, bleach or acid. If accidentally used, rinse the surface as soon as possible to prevent damage to the finish (peeling or corrosion). After cleaning the polished finishes, rinse thoroughly and wipe dry with a soft cloth.

Clean stainless-steel surfaces at least once a week. When applying stainless steel cleaner or polish to stainless steel hardware, work with (not across) the grain. Never use an abrasive sponge or cloth, steel wool or wired brush as these may permanently scratch the surfaces.

**NOTE:** To maximize the life of your door, it is important to regularly inspect the glass and other hardware for misalignment, proper attachment, and/or damage. Contact DreamLine with any questions or concerns.



TEL: [866-731-2244](tel:866-731-2244)

FAX: [866-857-3638](tel:866-857-3638)

[DREAMLINE.COM](http://DREAMLINE.COM)

For more information on [DreamLine® Shower Doors](http://DreamLine.com) and [Enclosures](http://DreamLine.com) please visit [DreamLine.com](http://DreamLine.com)

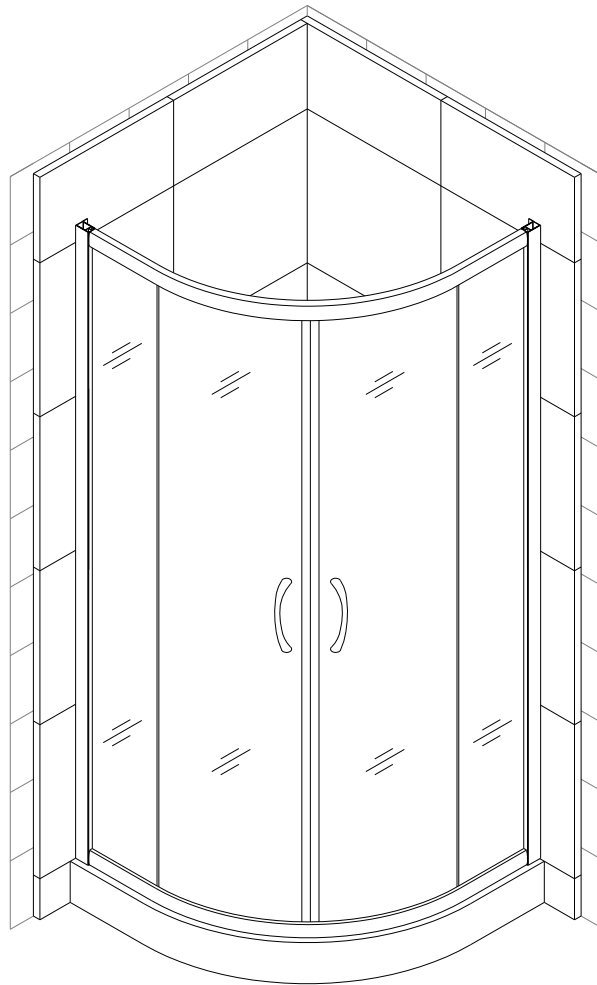


## PRIME

### SHOWER ENCLOSURE INSTALLATION INSTRUCTIONS

#### IMPORTANT

DreamLine® reserves the right to alter, modify or redesign products at any time without prior notice. For the latest up-to-date technical drawings, manuals or any other details please refer to your model's web page on [DreamLine.com](http://DreamLine.com)



Model #s

SHEN-7031310

SHEN-7031310-FR

SHEN-7034340

SHEN-7034340-FR

SHEN-7036360

SHEN-7036360-FR

01= Chrome

FR= Frosted Glass

Please read these instructions carefully before installing. If you have any questions regarding installation, please contact our technical support specialists Monday through Friday 8:00 AM – 7:00 PM EST at Phone: [1-866-731-2244](tel:1-866-731-2244), Fax: [1-866-857-3638](tel:1-866-857-3638) or e-mail our technical support group at [Support@DreamLine.com](mailto:Support@DreamLine.com).

For more information about DreamLine® products please visit [www.DreamLine.com](http://www.DreamLine.com)

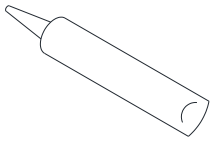
## Preparation

1. Prior to installation, examine all boxes and packages for shipping damage and compare the piece count with your packing slip. After opening all boxes and packages read this introduction carefully. Check that all of the needed parts are included in the package by checking off the components on the "Detailed Diagram of Shower Door Components". If the unit has been damaged, has a finishing defect, or has missing parts, please contact our customer support department within **3 business days** of the delivery date. Please note that **DreamLine® will not replace any damaged products or missing parts free of charge after 3 business days or if the product has been installed.** Feel free to contact DreamLine® if you have any questions, and please provide an order number, job name or other proof of purchase to help us identify your original order.
2. **Please note that you should consult your local building codes with questions about installation compliance standards. Building and plumbing codes may vary by location, and DreamLine® is not responsible for code compliance standards for your project and will not accept any returns.**
3. If this unit is going to be installed in a new construction, please install all of the required plumbing and drainage before installing the shower. **Use a competent and licensed (if required by local code) plumber for all plumbing installation.**
4. Please make sure that prior to beginning the installation, the surfaces are leveled and solid and will be able to support the total weight of the unit. Also make sure the walls are at right angles. Irregular installation surface level, radius corners or improper angle of side walls will result in serious problems for your installation. Please, note that some adjustments and drilling may be necessary during the installation process.
5. Please protect all primary surfaces of the product during installation. Never set your glass down directly onto a tile floor. Leave corner protectors in place until necessary to remove them. Always use a piece of wood or cardboard to protect the bottom edge and corners of the glass prior to and during installation.
6. This unit must be installed upon a finished threshold and against finished walls.
7. **This model has 1" of adjustment for out-of-plumb wall conditions within the wall profiles.**

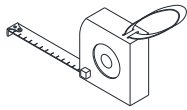
**NOTE: DO NOT** install the handles onto the door glass until instructed to do so. **DO NOT** lift the glass using the handles. This could result in damage to the glass and /or serious personal injury.

**NOTE:** For models with Frosted glass, install the textured surface towards the inside of the shower

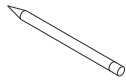
# Tools Required



Caulk



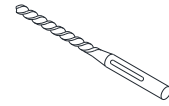
Tape Measure



Pencil



Phillips Screwdriver



Drill bit  
(Ø=5/16")



Drill bit  
(Ø=1/8")



Level



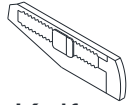
Caulk Gun



Electric Drill

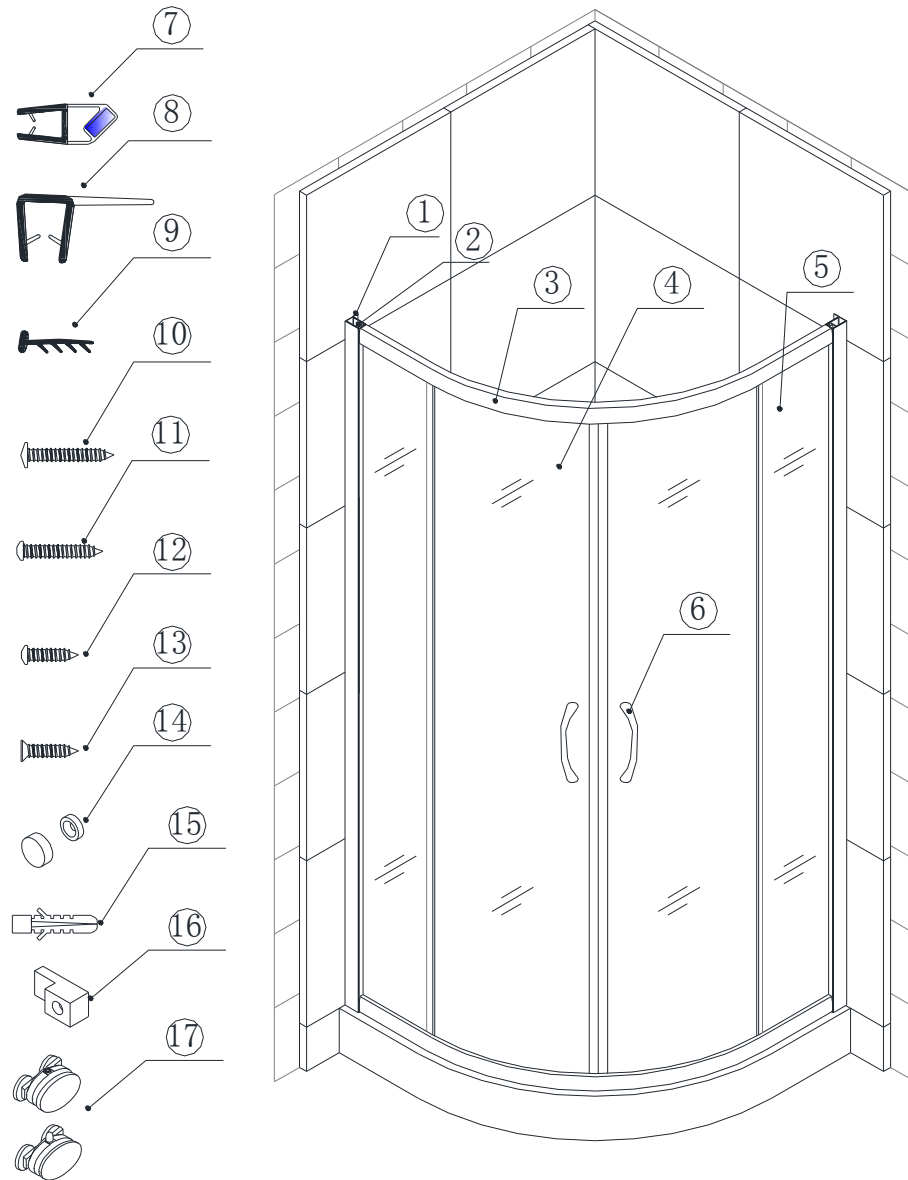


Hammer



Knife

## Detailed Diagram of Shower Enclosure Components



### Packing List

01	Wall profile	2pcs	10	Truss head screw ST4.2×40	8pcs
02	Glass profile	2pcs	11	Round head screw ST4.2x25	8pcs
03	Guide rail	2pcs	12	Round head screw ST4.2x10	4pcs
04	Glass door	2pcs	13	Flat head screw ST4.2x16	4pcs
05	Stationary glass	2pcs	14	Decorative cover with washer	4pcs
06	Handle	2pairs	15	Wall anchor	8pcs
07	Magnetic strip	1pair	16	Glass holder	4pcs
08	Anti-water strip (2 long, 2 short)	4pcs	17	Wheel assembly (top & bottom)	4pairs
09	Single side strip	2pcs			

**NOTE:** Unpack your unit carefully and inspect it. Lay it out and identify all parts using the detailed diagram and packing list in this manual as a reference. Before discarding the carton, check for small hardware bags that may have fallen to the bottom of the box. If any parts are damaged or missing, please contact DreamLine® for replacement. The shipping boxes may contain extra parts not used in your model configuration. **NOTE:** Retain these installation instructions for future reference.

## Shower Enclosure Installation

1. Fasten the bottom **Guide rail (03)** to the **Glass profiles (02)** with the **Round head screws ST4.2x25 (11)**.

See Fig. 1 for details.

**TIP:** Apply a small amount of wax or liquid soap to the screws to make installation easier and to prevent stripping the screws while screwing the Glass profiles (02) to the Guide rails (03).

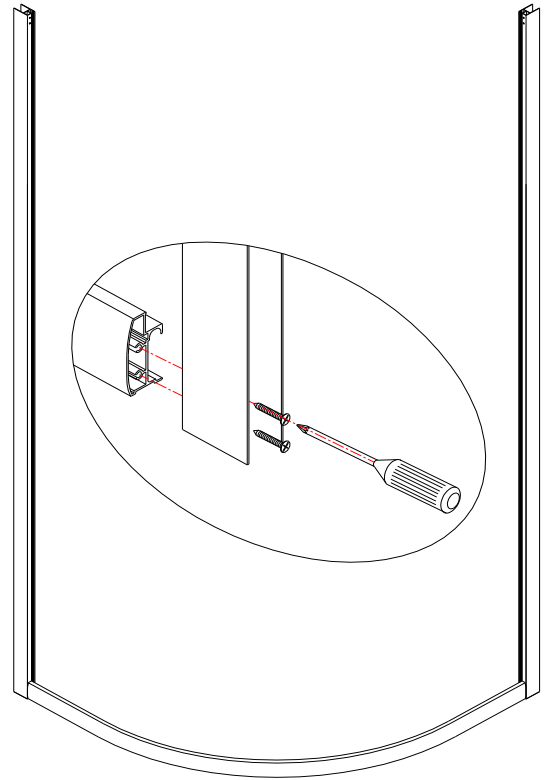


Fig. 1

2. Slide each **Stationary glass (05)** fully into the groove of the **Glass profiles (02)**, and then secure it by attaching the **Glass holders (16)** to the bottom **Guide rail (03)** using the **Flat Head ST4.2 x 16 screws (13)**.

See Fig. 2 for details.

**TIP:** Apply a thin bead of silicone to the bottom rail when setting the glass in place.

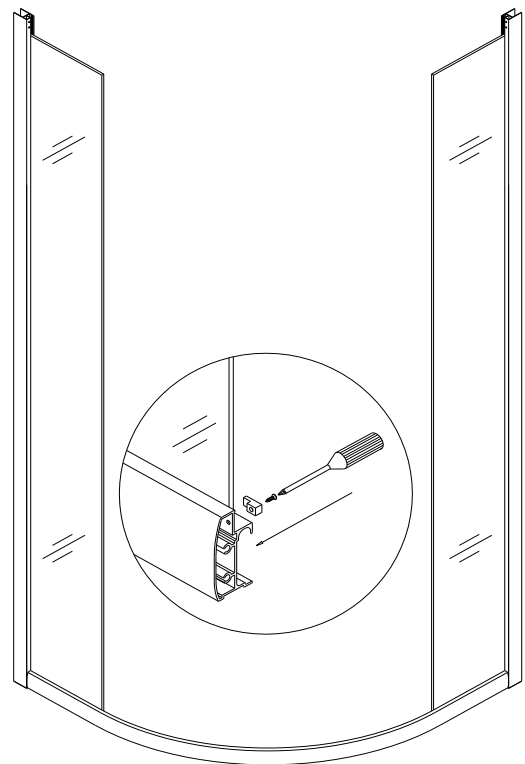


Fig. 2

3. Insert the **Single side strips (09)** in-between the **Stationary glass (05)** and the **Glass profiles (02)** using a wooden shim or plastic blade. The strips should be inserted from the side that will face inside the shower.

**ATTENTION:**

**Do not use a screwdriver or other metal objects to push in the strips to prevent scratching or damaging the glass and aluminum.**

See Fig. 3 for details.

4. Repeat Step #1 and Step #2 to fasten the upper **Guide rail (03)** to the **Glass profiles (02)** and secure the **Stationary glass** with the **Glass holders (16)**.

See Fig. 1 and Fig. 2 for details.

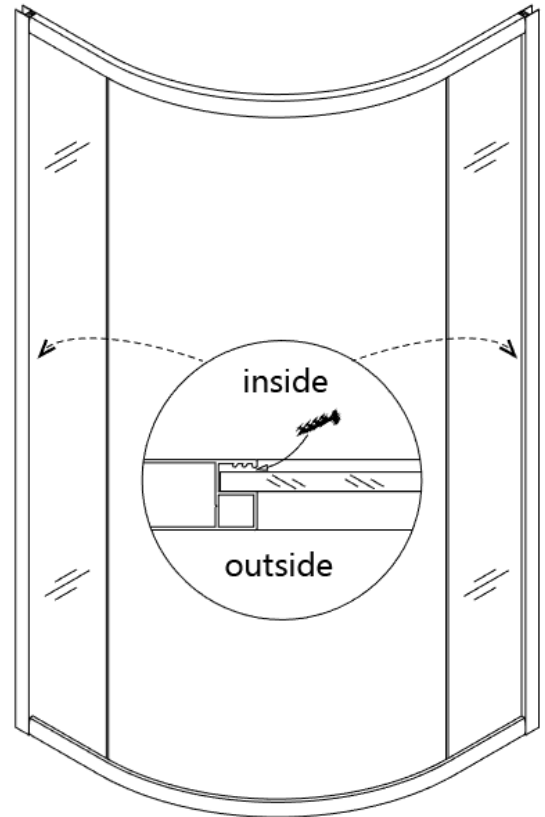


Fig. 3

5. Slide the **Wall profiles (01)** all the way over the **Glass profiles (02)** on both sides. Make sure the flanges of the **Wall profiles (01)** face inside the shower.

See Fig. 4 for details.

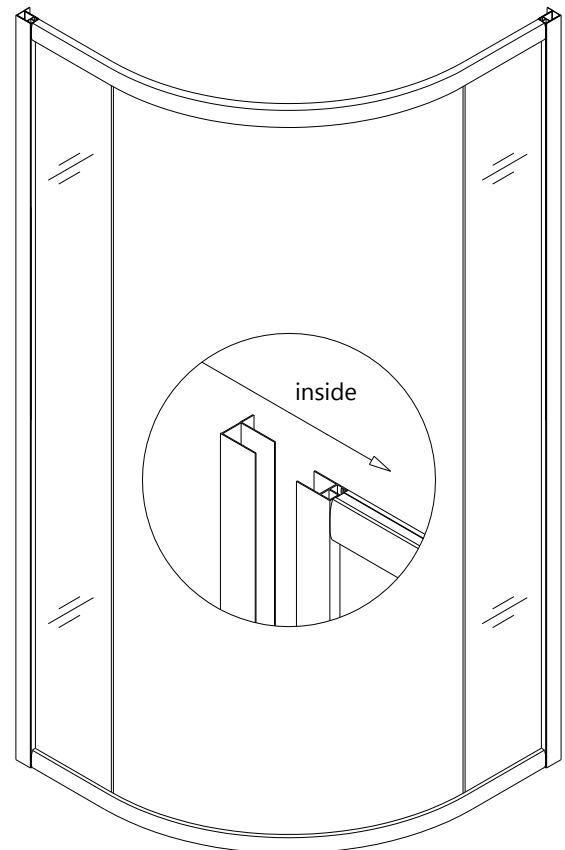


Fig. 4

6. Move the finished frame to the designated position on the shower base or threshold and push it tight to the walls. If the walls are out-of-plumb, make adjustments by slightly pulling the **Wall profiles (01)** out of the **Glass Profiles (02)**.

Use a level to adjust the frame into a plumb, vertical position on both walls.

See Fig. 5 for details.

**NOTE:** The installed unit may not sit perfectly centered on the threshold, depending on the thickness of the finished wall treatment used. You may adjust the position outward slightly by extending the wall profiles.

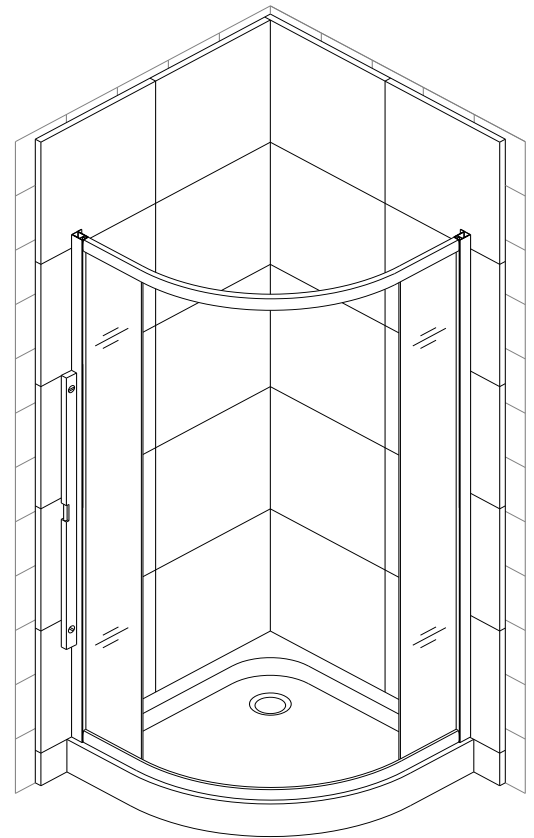


Fig. 5

7. Hold this assembly in position and mark the drill holes on the wall through the holes on the flange of the **Wall Profiles (01)**.

Carefully set the assembled unit aside; drill the holes using a  $\text{Ø } 5/16''$  drill bit and insert the **Wall anchors (15)**.

Apply silicone caulk along the **Wall profiles (01)** and around the holes on the wall. Also apply silicone under the bottom **Guide rail (03)**. Place the entire shower assembly back into the designated position on the threshold and secure it to the walls using the **Truss head screws ST4.2×40 (10)**.

See Fig. 6 for details.

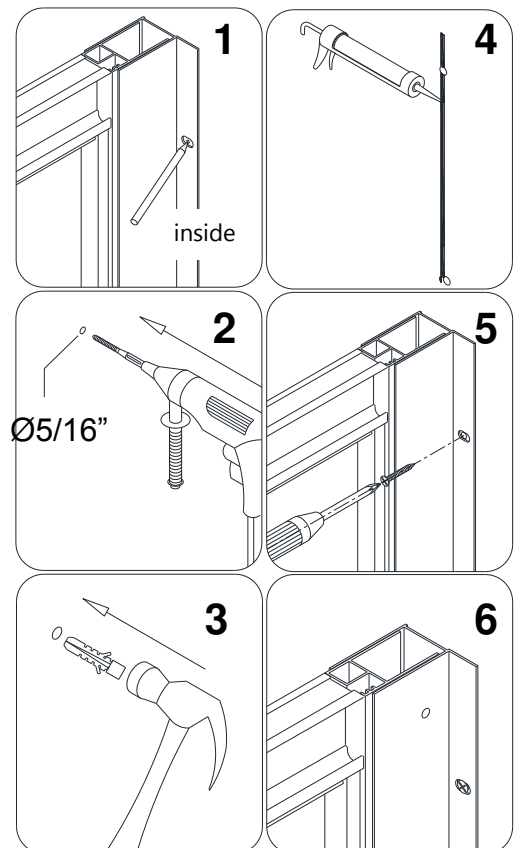


Fig. 6

8. Fasten the top and the bottom **Wheel assemblies (17)** to the **Glass doors (04)**. The top wheels can adjust the door level with the adjustable bolt and lock nut. The bottom wheel has a press button to allow installation of the wheel into **Guide rail (03)**.

**Note:**

The lock nut of the upper wheel (Fig 7.1) and the press button of the bottom wheel should be pointing up.

See Fig. 7 & 8 for details.

**NOTE: DO NOT** install the handles onto the door glass until instructed to do so. **DO NOT** lift the glass using the handles. This could result in damage to the glass and/or serious personal injury.

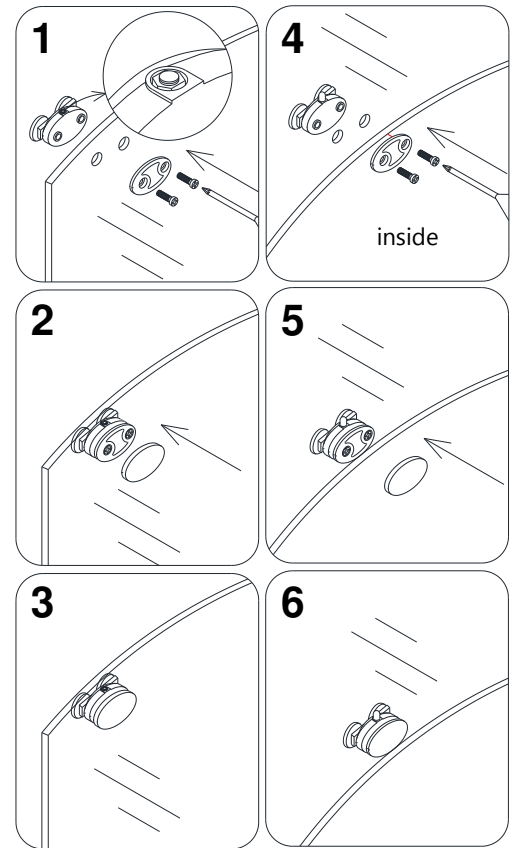


Fig. 7

9. Slide the top door wheels into the top **Guide rail (03)**. Push the bottom wheels into the bottom **Guide rail (03)** by pressing the button on the **Wheel assembly (17)**.

**NOTE:**

If necessary, use a hand screwdriver (**do not use a power screwdriver**) to adjust the upper wheels to make minor adjustments so that the doors operate smoothly and seal tight with the magnets.

See Fig. 8 for details.

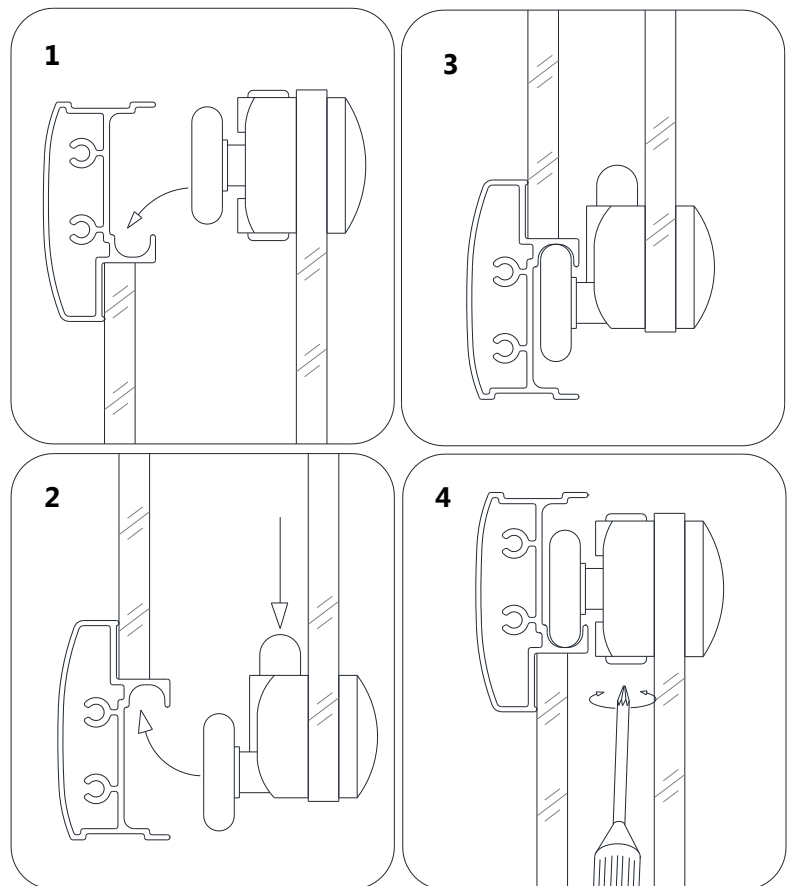


Fig. 8

10. Install the **Handles (06)** onto the **Glass doors (04)**.

Press the **Anti-water strips (08)** onto the vertical edges of the **Stationary glass (05)** and both vertical edges of the **Glass doors (04)** (the shorter strips attach to the panel glass and the longer strips onto the doors).

Press the **Magnetic strips (07)** onto the vertical edges of both **Glass doors (04)** for a tight seal.

See Fig. 9 for details.

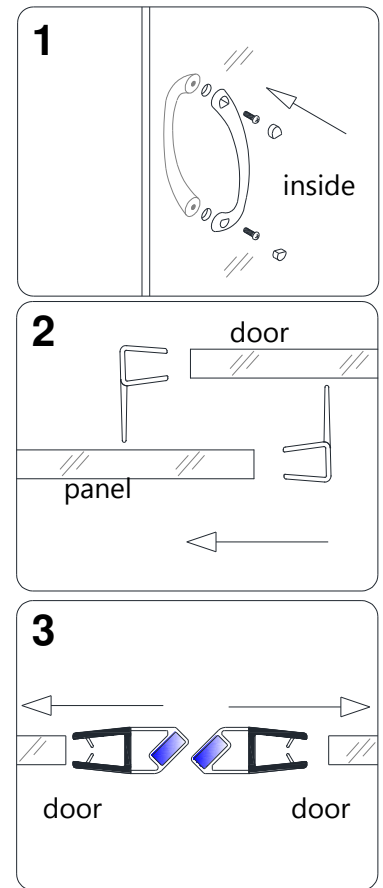


Fig. 9

11. Make final adjustments of the assembled unit within the **Wall profiles (01)**, making the unit tight to the walls and tight to the threshold.

From inside of the shower area, drill 2 holes through the **Wall Profiles (01)** into the **Glass profiles (02)** using an  $\text{Ø } 1/8''$  drill (one hole at the top and one hole at the bottom)

**ATTENTION:**

**Do not drill the profiles throughout, only through the first layer of the wall profile and the glass profile.**

Secure the **Wall profiles (01)** to the **Glass profiles (02)** using the **Round head screws ST4.2×10 (12)** and washers (Fig 10.2). Cover the exposed screw heads with the **Decorative covers (14)**.

See Fig. 10 for details.

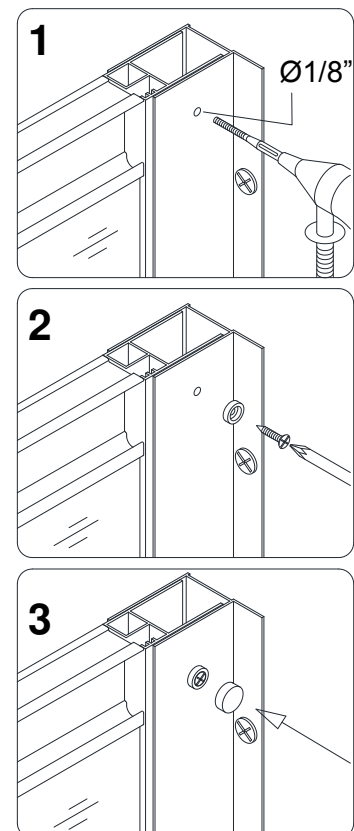


Fig. 10

12. Apply a good quality mildew-resistant silicone sealant along the profiles and guide rails; on the seams between the bottom guide rail and the profiles as well as along the shower base or threshold from the inside of the shower area. You may also apply silicone along the outside if you choose.

See Fig. 11 for details.

**Allow 24 hours for the silicone to fully cure before using the shower.**

Follow the safety guidelines from the Sealant manufacturer concerning application, proper ventilation and cure time.

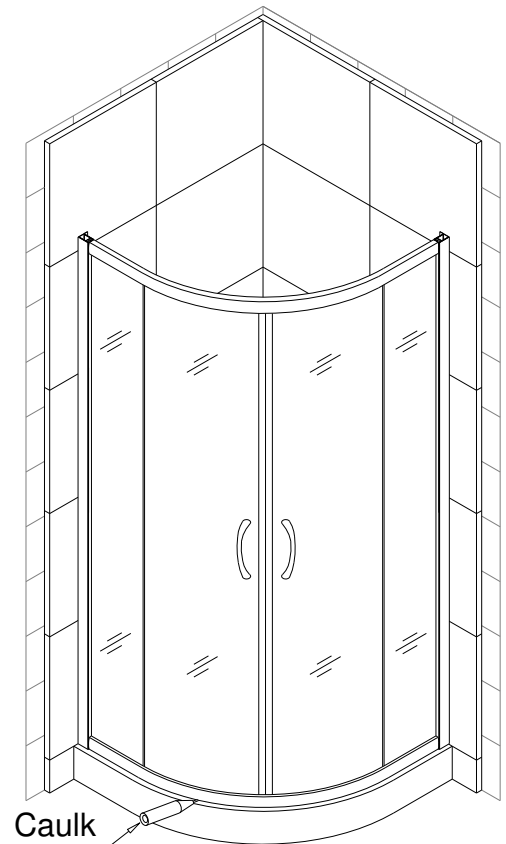


Fig. 11

## **Product Maintenance**

**BASES and BACKWALLS:** To ensure a long life for your acrylic back walls: wipe them off after each use with a soft cloth. To clean the acrylic back walls use non-abrasive sprays or cream based cleaners. Never use abrasive cleansers, metal brushes or scrapers that could scratch or dull the surface.

**GLASS:** To ensure long lasting life for your glass shower products: wipe them off after each use with a soft cloth. Rinse and wipe off the glass using either a soft cloth or a squeegee to prevent soap buildup and water spots. To prevent scratching the surface: never use abrasive cleaners and cleaning products that contain scouring agents. Never use bristle brushes or abrasive sponges.

**HARDWARE:** To ensure a long lasting finish: wipe off the metal parts after each use with a soft cloth. Do not use abrasive cleaners or cleaning products containing ammonia, bleach or acid. If accidentally used, rinse the surface as soon as possible to prevent finish peeling or corrosion. After cleaning the shiny finishes, rinse thoroughly and wipe dry with soft cloth. Never use abrasive sponges or cloth, steel wool or wired brushes as these may permanently scratch the surface.



---

TEL: [866-731-2244](tel:866-731-2244)

FAX: [866-857-3638](tel:866-857-3638)

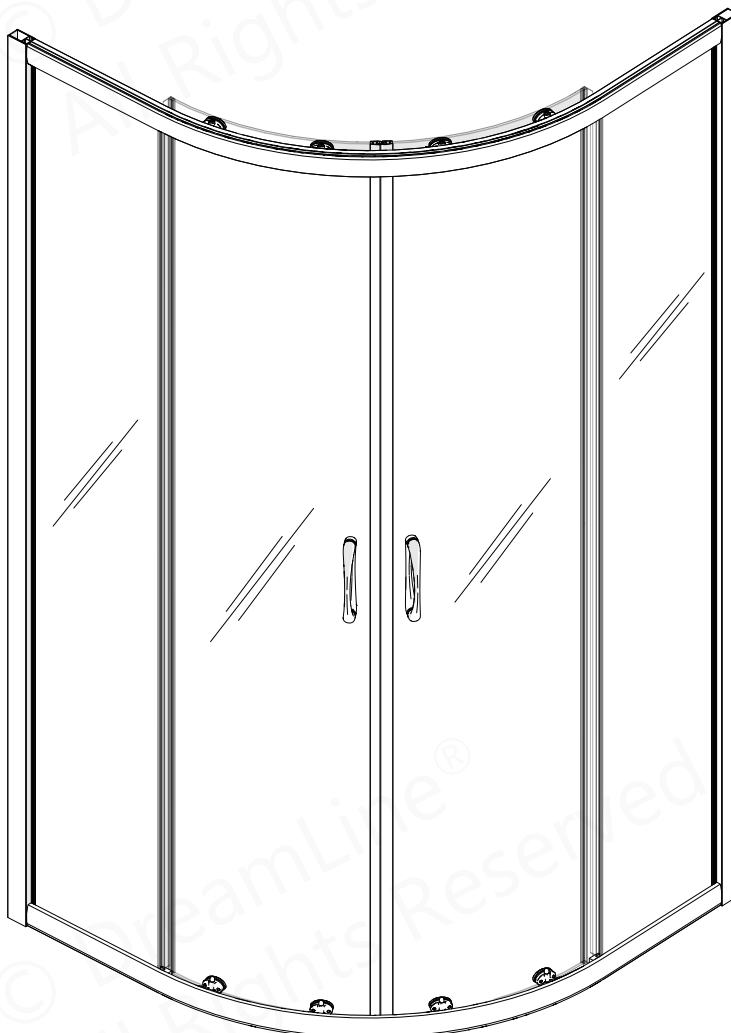
DreamLine [WWW.DREAMLINE.COM](http://WWW.DREAMLINE.COM)

For more information on [DreamLine® Shower Doors](#) and [Enclosures](#) please visit [www.DreamLine.com](http://www.DreamLine.com)

# PRIME

## SHOWER ENCLOSURE INSTALLATION INSTRUCTIONS

PLEASE REVIEW THIS ENTIRE MANUAL PRIOR TO INSTALLATION



### MODEL #s

SHEN-7031310-##  
SHEN-7031310-##-FR  
SHEN-7034340-##  
SHEN-7034340-##-FR  
SHEN-7036360-##  
SHEN-7036360-##-FR

## = finish

01 - Chrome

04 - Brushed Nickel

FR - Frosted Glass

### IMPORTANT!

DreamLine<sup>®</sup> reserves the right to alter, modify or redesign products at any time without prior notice for the purpose of product improvement and customer experience. Please refer to the model's web page on **DreamLine.com** for the latest technical drawings, installation manuals, warranty information or additional product details.

**Do Not Return Product to the Store. Contact DreamLine<sup>®</sup> with any questions**



### Questions?

Please Call DreamLine Customer Support: **1-855-831-2126**  
Hours of Operation M-F 8AM - 7PM EST and Saturday 9AM - 5PM EST

**Support@DreamLine.com**



© DreamLine®  
All Rights Reserved

© DreamLine®  
All Rights Reserved

©2019 DreamLine® All Rights Reserved

Record the following purchase information for your records or in the event you need to contact DreamLine®:

Purchase Order  
Number \_\_\_\_\_

Store/Vendor  
Purchased From \_\_\_\_\_

Installation Date \_\_\_\_\_

OD Number  
(optional) \_\_\_\_\_  
\*found on the shipping box or label  
if available.

Installed By: \_\_\_\_\_

SKU Number \_\_\_\_\_

# Table of Contents

Section Title	Page #
Warnings and General Preparation	2
Model Specific Preparation	3
Adjustable Wall Profile System	4
Tools	5
Detailed Diagram of Shower Door Components	6
Parts List	7-8
Installation Steps	9-20
Top and Bottom Roller Assembly Installation	16-17
Handle and Vinyl(s) Installation	18
Decorative Cover with Washer Installation	19
Product Maintenance	21
Troubleshooting	22
Factory Parts Information	23-25

## Symbol Legend



**TIP** - for ease of installation.



**CORRECT** - recommended.



**NOTE** - take note of special feature; additional information.

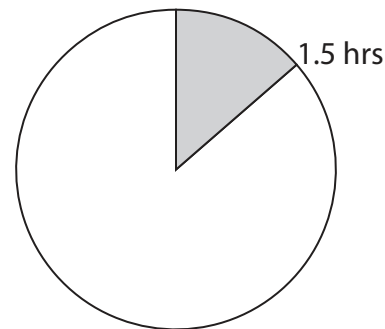


**INCORRECT** - not recommended.



**REQUIRED** - requires special attention; signifies a warning.

Average Installation Time





**IMPORTANT**

- DreamLine® reserves the right to alter, modify or redesign products any time without prior notice for product improvement and customer experience. Please refer to the model's web page on **DreamLine.com** for the latest technical drawings, installation manuals, warranty information or additional product details.
- This product should be installed by someone familiar with the construction requirements for this type of project and the care necessary for the safe installation and operation of the product.
- The safety of any installation is the responsibility of the installer.
- Professional installation recommended. (All Models)
- Professional installation required. (*Enigma Series*)
- To prevent damage or serious injury, Do Not lean against the installed panel/door/glass.
- To prevent damage or serious injury: Do Not attempt to lift or move a heavy lite of glass alone. Use an assistant and/or a professional grade glass suction cup.
- The installation of some models may require drilling down into the threshold. Contact the manufacturer of the base, tub, or threshold material with any questions regarding the drilling of holes into their product.
- All drawings in this installation manual are for illustrative purposes only and are not drawn to scale.

**GENERAL PREPARATION**

- After opening all boxes and packages, read this introduction carefully. Check that all the items are included in the package by marking off the components on the "**Detailed Diagram of Product Components**" page. Examine all boxes and packages for shipping damage. If the unit has been damaged, has a finishing defect, or is missing parts; please contact our Customer Support department within 3 business days of the delivery date. **Please note that DreamLine® will not replace any damaged products or missing parts free of charge after 3 business days or if the product has been installed.** Please contact DreamLine® if you have any questions.
- **Please note that you should refer to your local building codes with questions on installation compliance standards. Building and plumbing codes may vary by location, and DreamLine® is not responsible for code compliance standards for your project and will not accept any returns.**
- If this unit is going to be installed in a new construction, install all the required plumbing and drainage before installing the shower. **Use a competent and licensed (if required by local code) plumber for all plumbing installation.**
- Make sure that prior to beginning the installation, the surfaces are leveled and solid and will be able to support the total weight of the unit. Also make sure the walls are at right angles. Irregular installation surface level, radius corners or improper angle of side walls will result in serious problems for your installation. Please note that some adjustments and drilling will be necessary during the installation process.
- Protect all primary surfaces of the product during installation. Never set your glass down directly onto a tile floor. Leave corner protectors in place until it is necessary to remove them. Always use a piece of wood or cardboard to protect the bottom edge and corners of the glass prior to and during installation.
- This unit must be installed upon a finished threshold and against finished walls.
- *DreamLine® shower doors are not designed to be installed into a fiberglass surround due to the radius corners and lack of a solid surface to mount the hardware.*

**TEMPERED GLASS WARNING**

- Your Shower Door Glass Could Shatter Without Warning if Improperly Installed or Mishandled
- Do Not install or operate a shower door if the glass has chipped corners, slivered edges or is otherwise damaged and/or has been dropped or banged into a hard surface such as tile, marble or glass.
- **The main causes of tempered glass breakage are:**
  - Improper handling, storage or installation
  - Misuse/abuse
  - Lack of maintenance
  - Failure to replace damaged glass
  - **Improper handling during storage, unpacking and installation:**
  - Corners and edges are the most susceptible area to damage on a lite of tempered glass and should be protected and handled with care during storage, unpacking, installation and operation. A concentrated point of pressure or impact with a surface harder than itself may cause the tempered glass to shatter. The tempered glass may release immediately, within several hours or even days later.
  - **Incorrect installation of door hardware, rollers, hinges, channels, stopper or glass:**
  - Improper installation may include: loose hardware and/or lack of proper gaskets between the hardware and glass. Additionally, improper alignment of guide rails, wall profiles or other hardware during installation or operation may place stress on the glass edges and cause it to break.
  - This product must be installed by a professional and experienced installer familiar with the safe handling of tempered glass.
  - **Improper use of this product:**
  - Aggressively opening or closing the door may cause trauma to the glass, which can lead to breakage. This may occur immediately or hours or even days later.
  - **The shower door hardware and glass should be inspected periodically:**
    - Instruct the homeowner how to perform a periodic inspection of the shower hardware and glass - some minor adjustments may be necessary based upon the use (or misuse) of the shower door. Ensure that the hardware remains tight and that the door alignment and operation are correct. Any adjustments should be made upon discovery to prevent damage to the product.
    - Additional considerations should be given to the installation of frameless tempered glass products in households with young children or an elderly person due to an increased chance of improper handling. In such cases, alternatives such as shower curtains or grab bars should be considered.

**WARNING: TO AVOID THE RISK OF DAMAGE OR INJURY:**

- **Follow all recommendations and requirements as shown in the installation instructions.**
- Perform a thorough inspection of the glass and all parts for any damage prior to installation. Any damage to tempered glass can cause breakage. **Do Not install damaged glass!**
- Do Not install or operate a shower or tub door if the glass has chipped corners, slivered edges or is otherwise damaged. Do Not install or operate a shower or tub door that has been dropped or banged into a hard surface such as tile, marble or glass.
- **CAUTION:** Contact with any hard surface can damage tempered glass and cause it to shatter.
- This product uses tempered glass. Glass cannot be cut after it has been tempered. **Do Not attempt to cut tempered glass.**
- DreamLine® Glass Shower doors, Tub doors, Inline panels, and Return panels can shatter due to improper handling or lack of maintenance. Conduct periodic inspections of glass and all parts for possible damage, missing or loose parts.
- Always wear proper safety equipment such as: safety goggles, work gloves and appropriate footwear during the installation process.
- **WARNING. Risk of leakage and/or damage.** Follow all instructions regarding the application of silicone sealant or caulk. Allow 24 hours for the sealant to cure before the initial use of the shower or tub product. Follow the silicone manufacturer's recommendations regarding the use of their product.
- **Thoroughly read these instructions before installing or using this product.**
- **Leave this manual for the end-user of the product.**



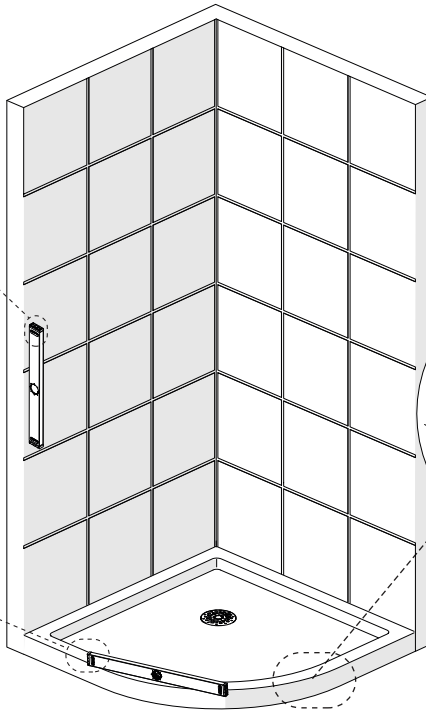
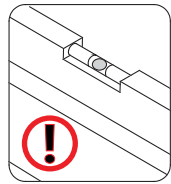
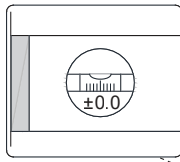
This product should be installed by someone familiar with the construction requirements for this type of product and the care necessary for the safe installation and operation of the product.

# Model Specific Preparation

**1" Out-of-Plumb Adjustment; Verify threshold and walls with a level**



**Threshold must be level**

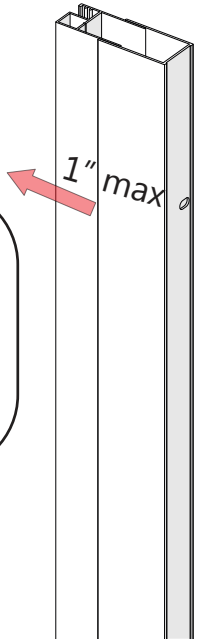


**1" minimum flat threshold**



**DO NOT** attach the handle and/or towel bar to the glass until instructed to do so.  
**DO NOT** attempt to use the handle/towel bar to lift the glass during installation. This may result in damage to the glass and/or serious injury. Always use a professional grade glass suction cup and an assistant.

This model has a 1" adjustable wall profile system for Out-of-Plumb wall conditions and overall width within the model size when installed into a finished opening. For more information, see the Adjustable Wall Profile System on page 4.



For models with **Frosted** glass, install the textured (Frosted) surface facing **towards** the **inside** of the shower.

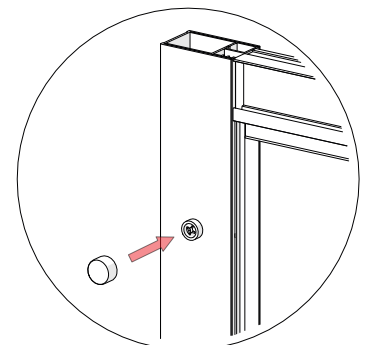
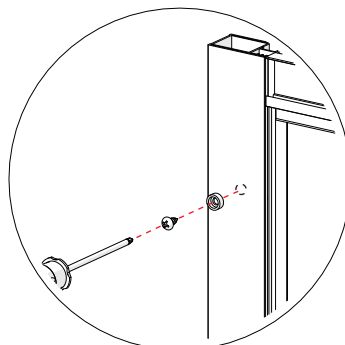
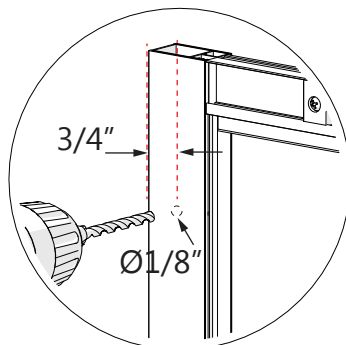
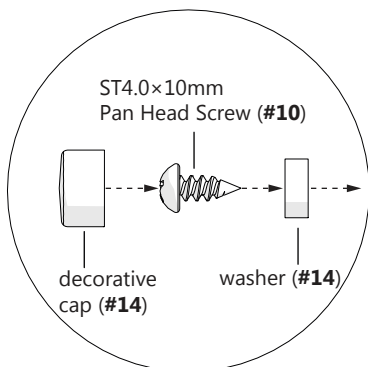
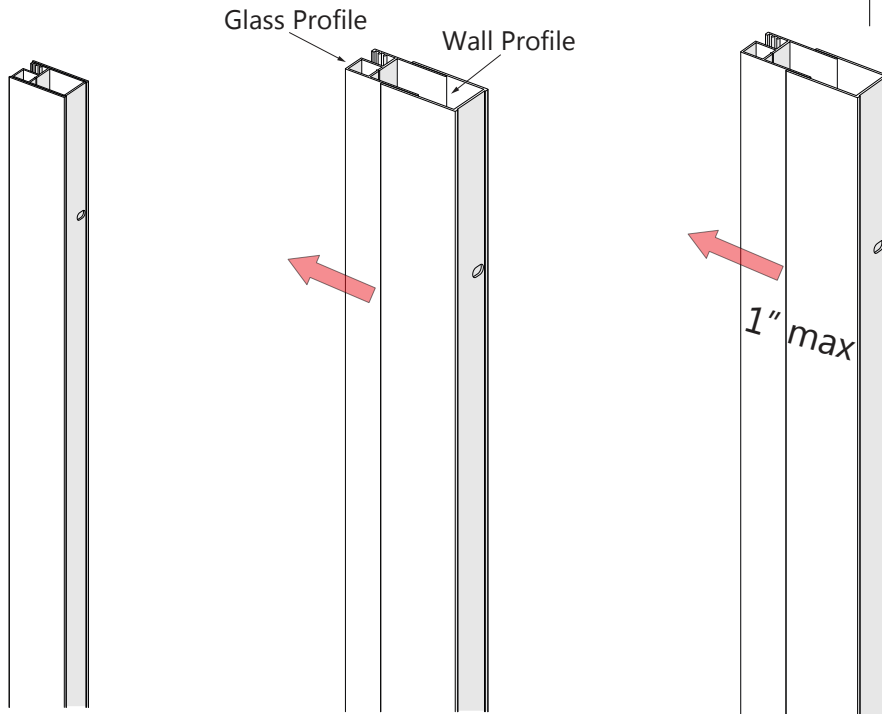
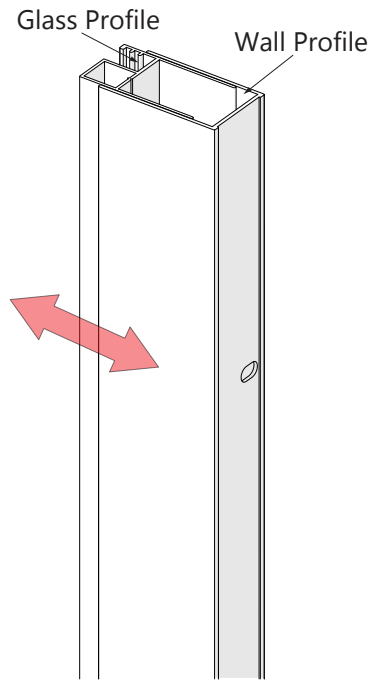


**Professional Installation recommended.**

# Adjustable Wall Profile System



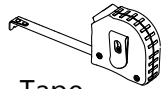
The Glass Profiles can be adjusted within the Wall Profiles for overall width or to correct for out-of-plumb conditions within the model size. Screw them together after making final adjustments.



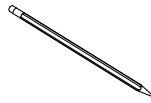
# Tools



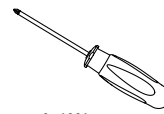
Level



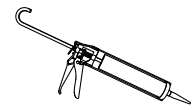
Tape Measure



Pencil



Phillips Screwdriver



Silicone



Power Drill



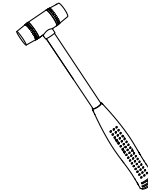
Drill Bit  
Ø5/16"  
(8mm)



Drill Bit  
Ø3/16"  
(4mm)



Drill Bit  
Ø1/8"  
(3mm)



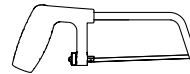
Soft Head Hammer



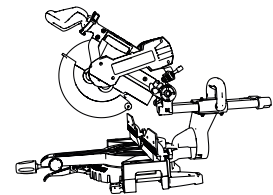
Safety Glasses



Work Gloves



Hacksaw



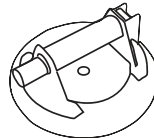
Mitre Saw



Painter's Tape



Razor Knife



Professional-grade  
Glass suction cup



Extender Driver Bit



#2 Phillips  
Driver Bit



To be sure that the correct model size has been ordered. Measure the finished opening before proceeding with the installation.



Cover the shower/tub drain with tape prior to installation to prevent the loss of screws or small parts.



To prevent stripping the screw heads, set power drill to a low setting when installing screws.

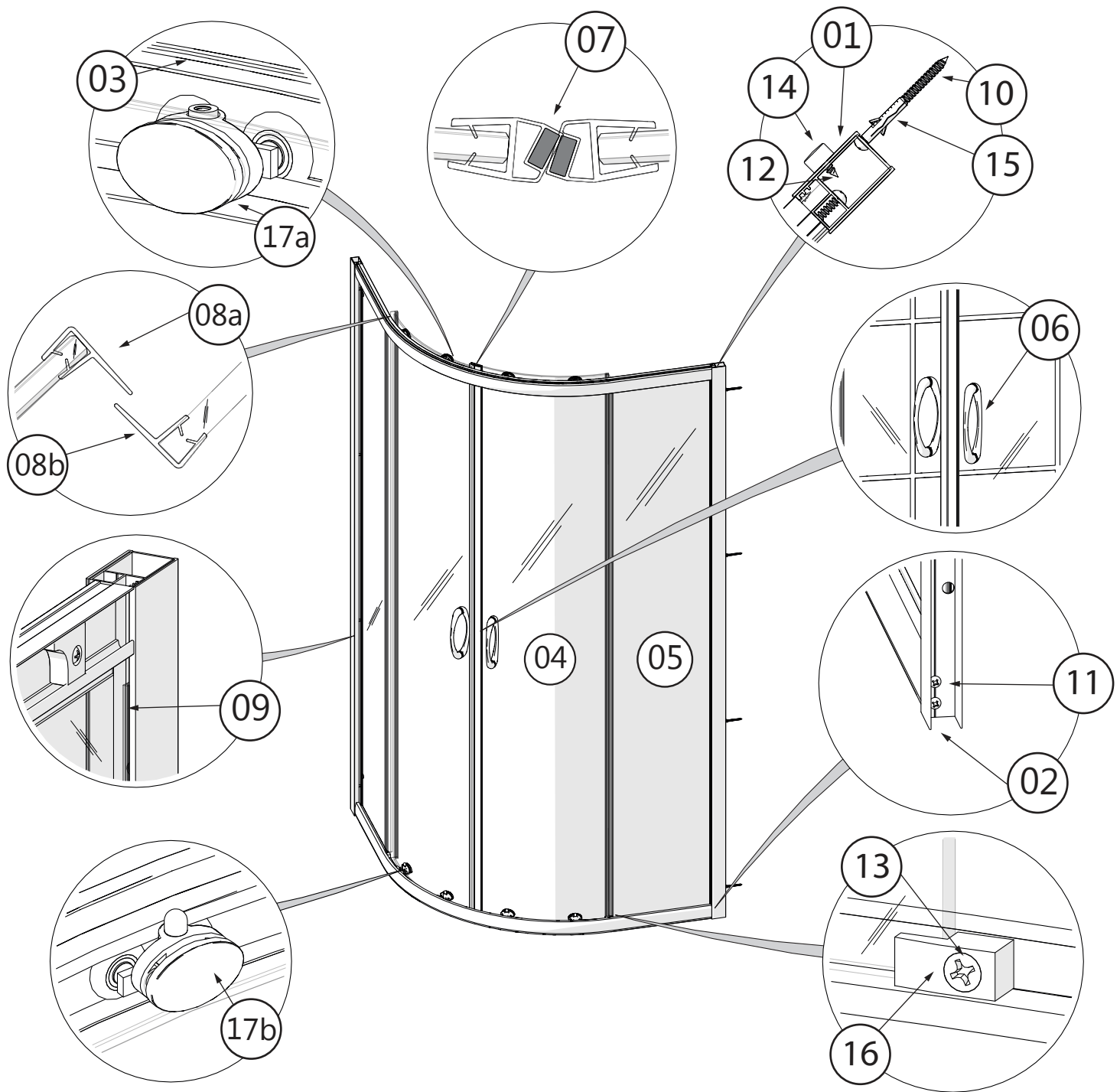


Unpack your unit carefully and inspect it. Lay it out and identify all parts using the **Detailed Diagram** on **page 6** and the included packing list in this manual as a reference. Before discarding the carton, check for small hardware bags that may have fallen to the bottom of the box. If any parts are damaged or missing, please contact DreamLine® for replacement. The shipping boxes may contain extra parts not used in your model configuration.

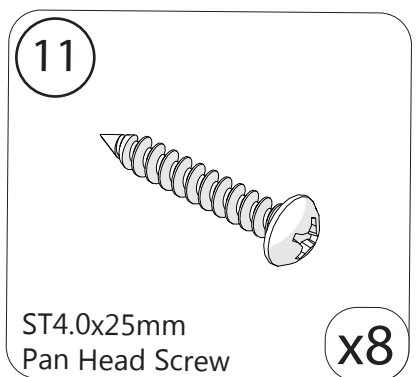
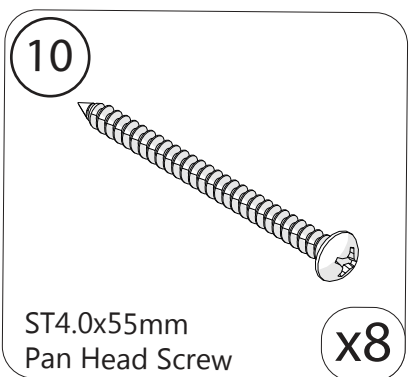
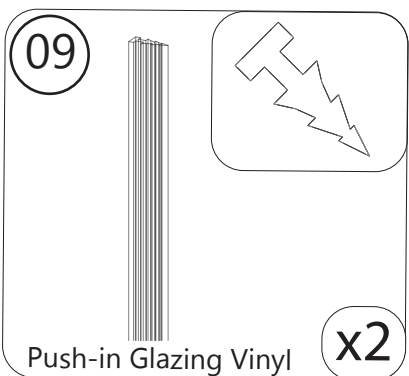
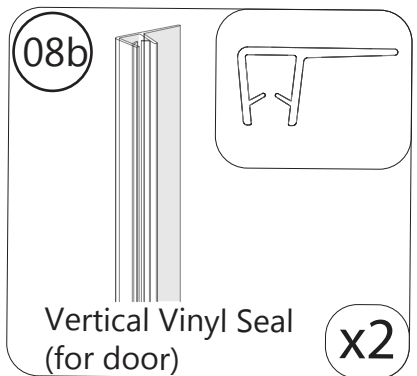
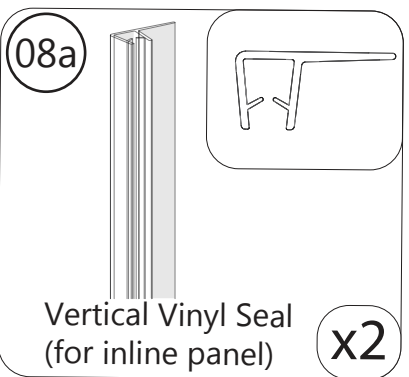
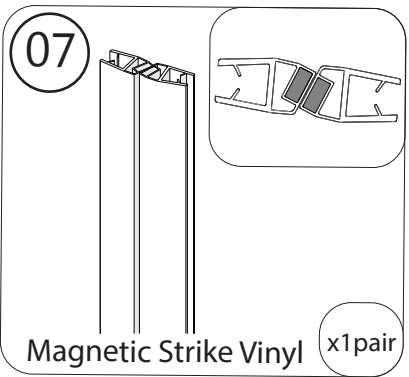
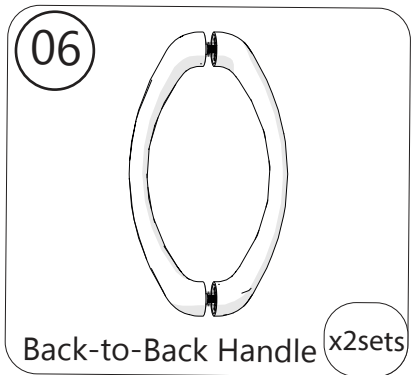
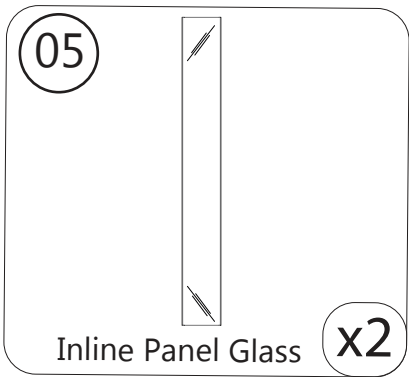
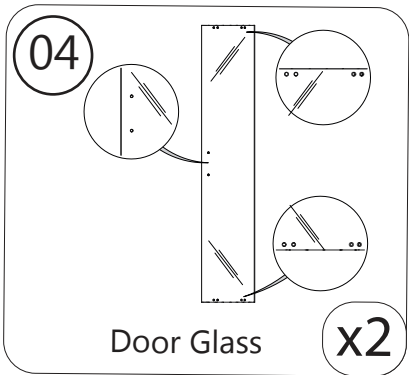
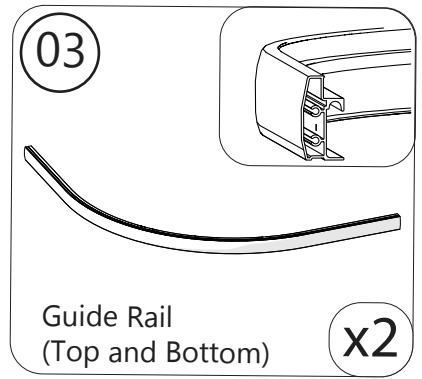
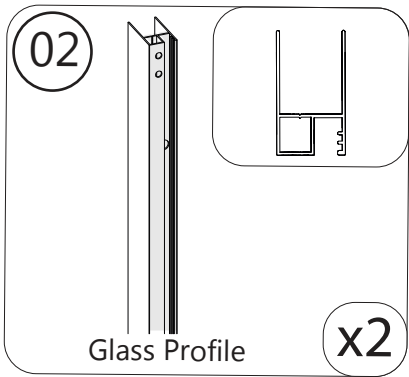
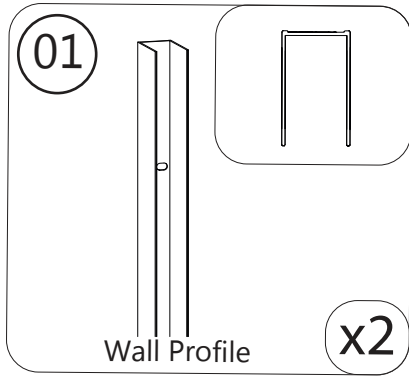


Retain these installation instructions for future reference.

# Detailed Diagram of Shower Door Components

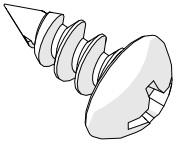


# Parts List



# Parts List

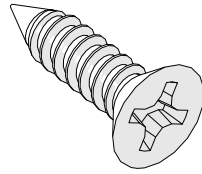
12



ST4.0x10mm  
Pan Head Screw

x4

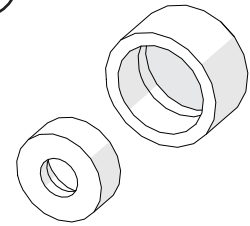
13



ST4.2x16mm  
Countersunk Screw

x4

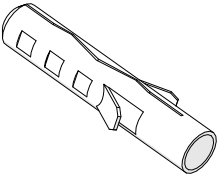
14



Decorative Cover  
with Washer

x4sets

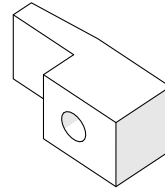
15



Wall Anchor  
8mm (5/16")

x8

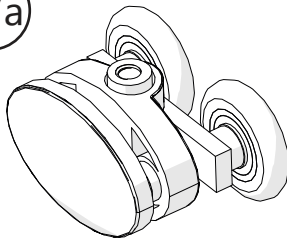
16



Glass Clip  
for 6mm (1/4") Glass

x4

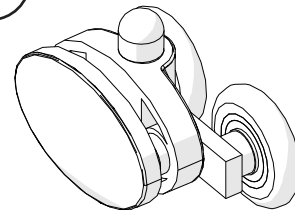
17a



Double Roller  
Assembly (top)

x4

17b



Double Roller  
Assembly (bottom)

x4

1

# Installation Steps

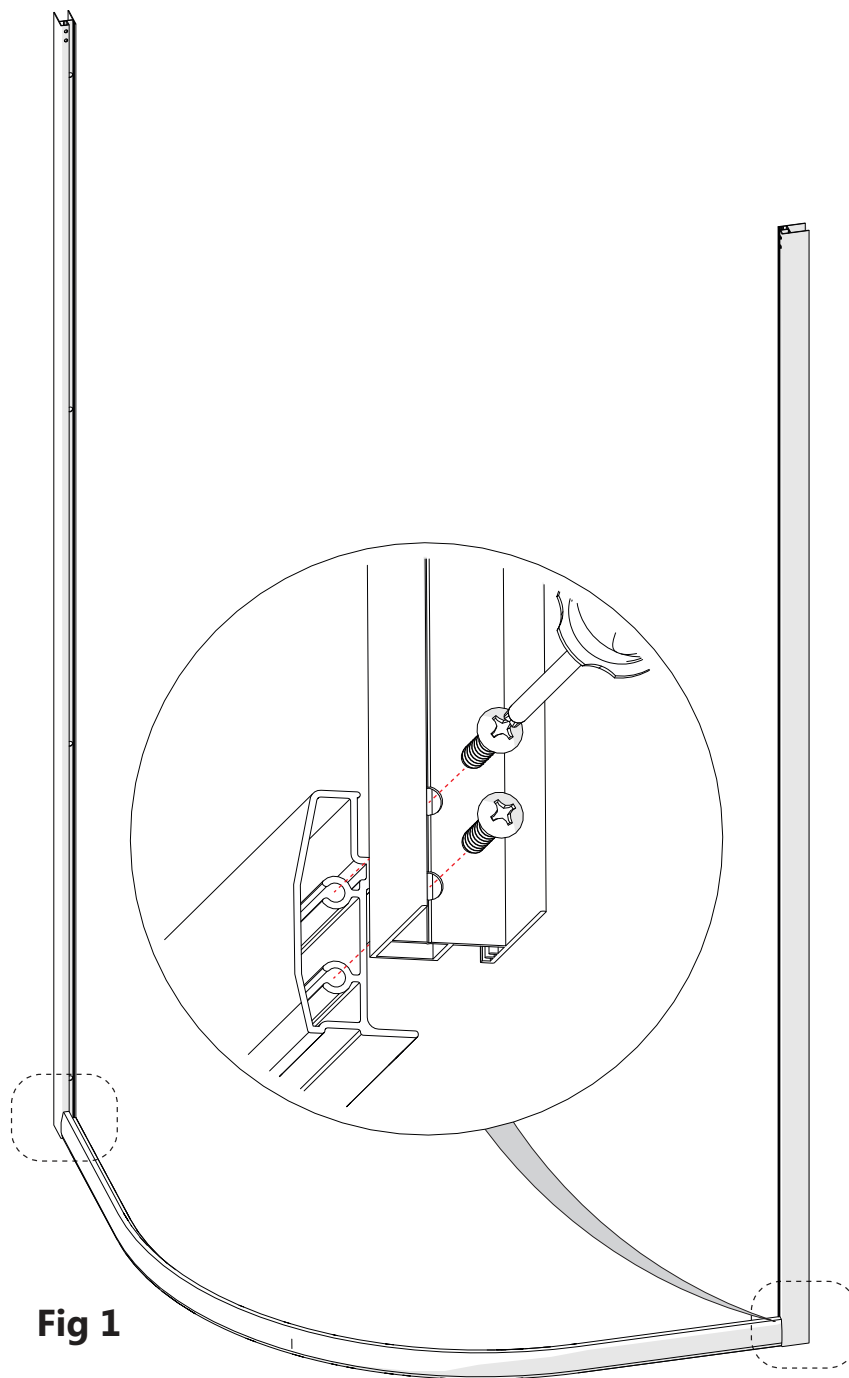
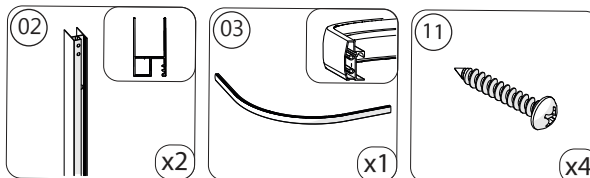


Fig 1

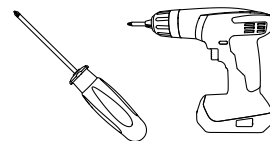


Add liquid soap, wax, or lubricant to screws prior to attaching the **Glass Profiles (#02)** to the **Guide Rails (#03)**.  
Use a low setting on the power drill, to prevent stripping the screws.

## Parts Needed



## Tools Needed



2

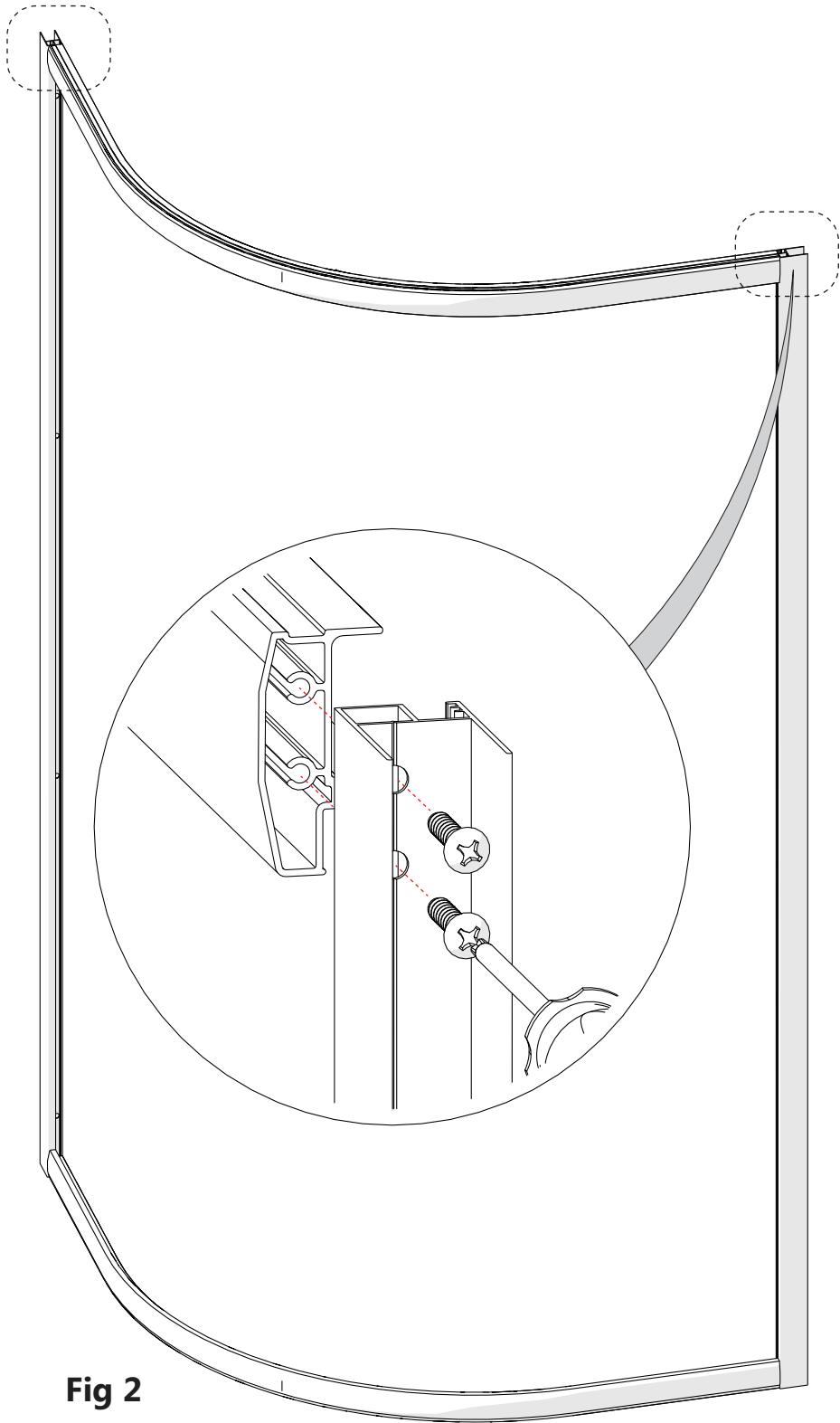
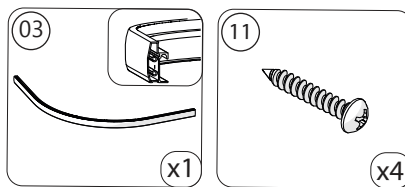
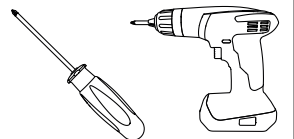


Fig 2

**Parts Needed**



**Tools Needed**



3

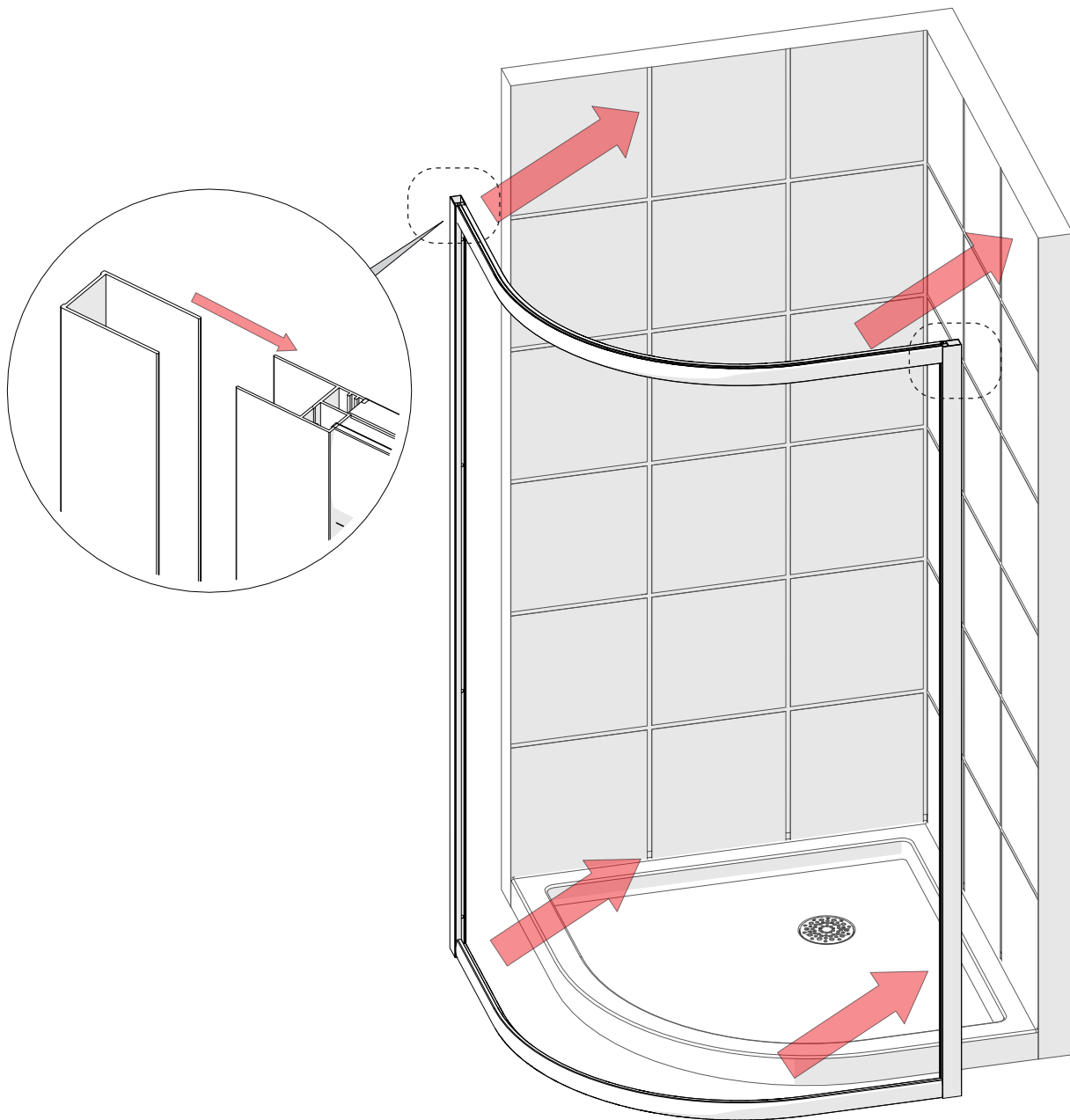
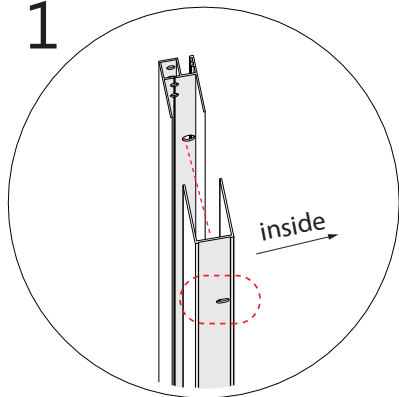


Fig 3

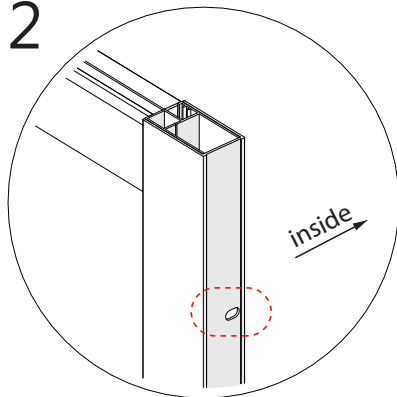


The holes in the **Wall Profiles (#01)** are off-center and must line up with the corresponding holes in the **Glass Profiles (#02)**.

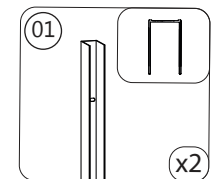
1



2



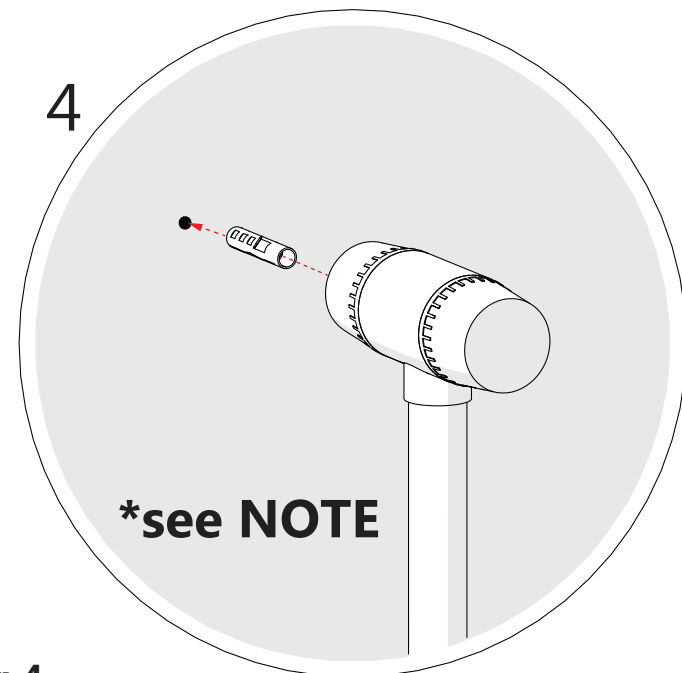
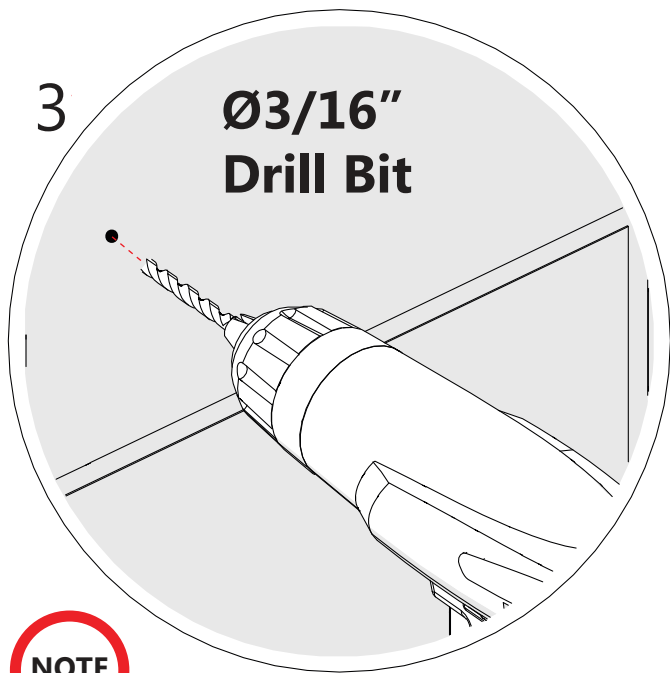
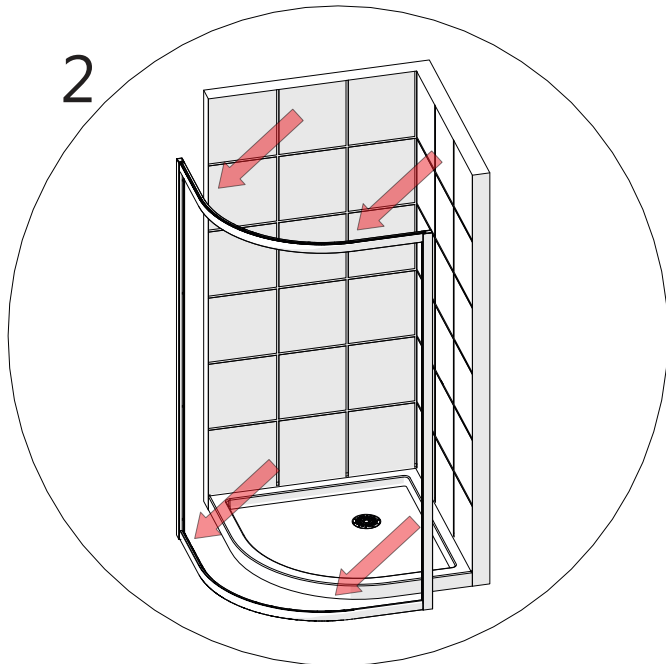
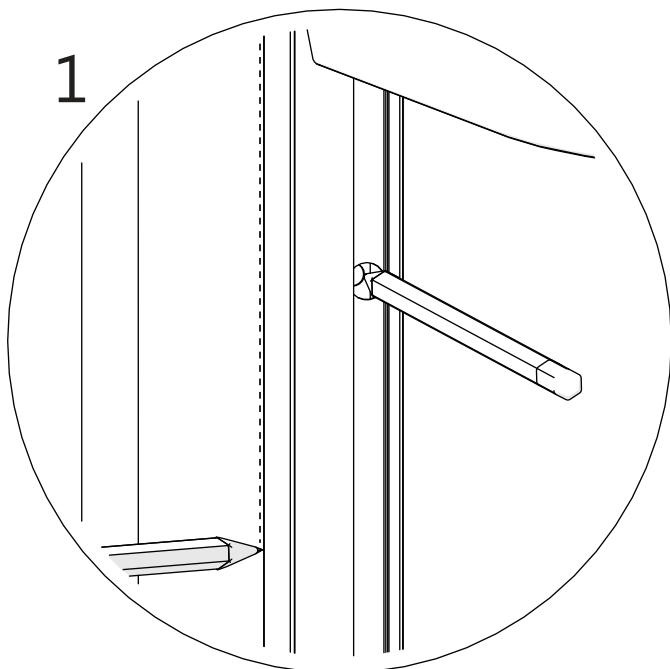
**Parts Needed**



4

**NOTE**

- Before marking the holes for drilling, confirm that:
- the assembled frame is tight to the threshold
  - the **Wall Profiles (#01)** are tight to the walls
  - the frame is level



**NOTE**

If a stud is present behind the wall, drill a hole using a **Ø3/16"** drill bit and **do not** use wall anchors.  
 If no stud is present, drill the hole using a **Ø5/16"** drill bit and insert **Wall Anchors (#15)** as shown in Fig 4.3.

Fig 4

Parts Needed		Tools Needed	
(15)			
x8			

5

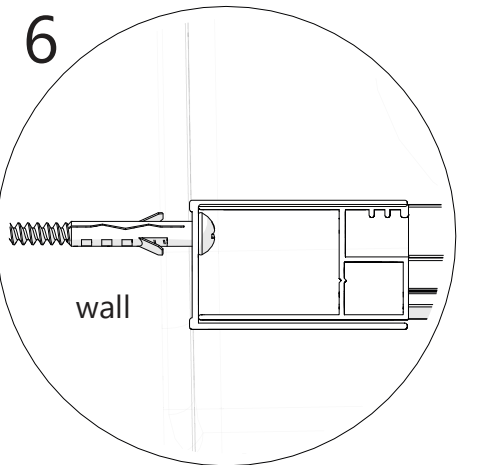
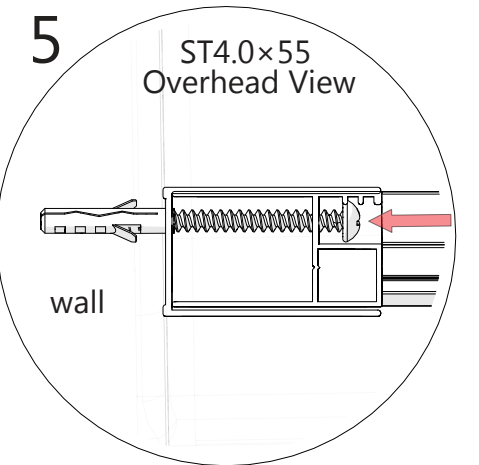
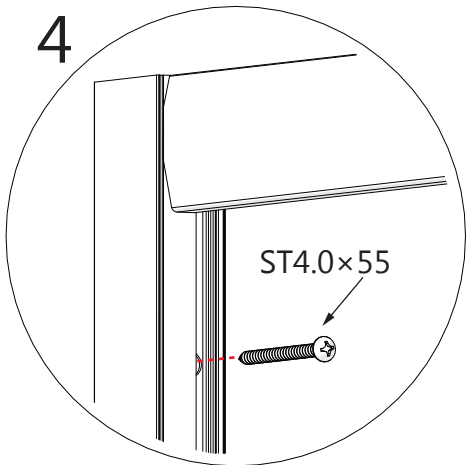
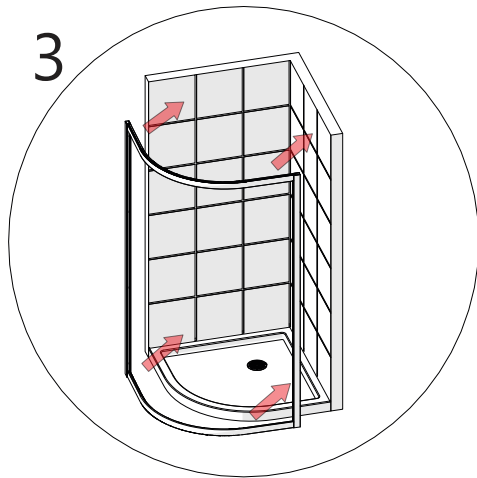
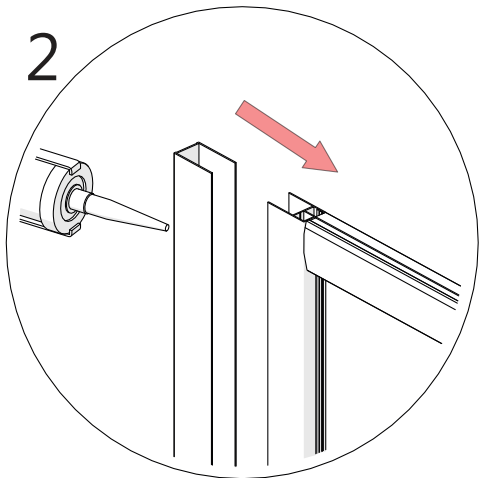
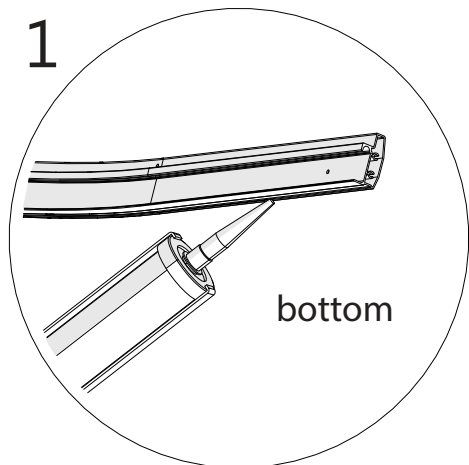
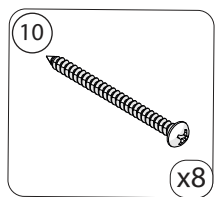


Fig 5

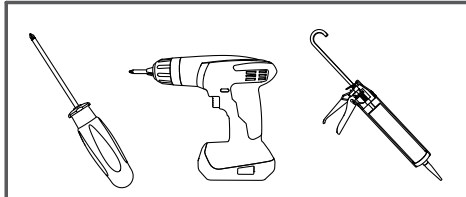


 Extender Driver Bit recommended for the installation of these screws.

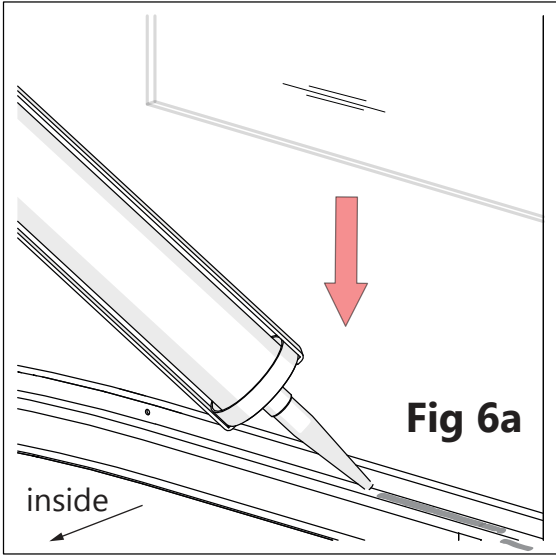
Parts Needed



Tools Needed



6



Apply a thin bead of silicone caulk to the bottom **Guide Rail (#03)** when setting the **Inline Panel Glass (#05)** in place.



For models with **Frosted** glass, install the textured (Frosted) surface facing **towards** the **inside** of the shower.

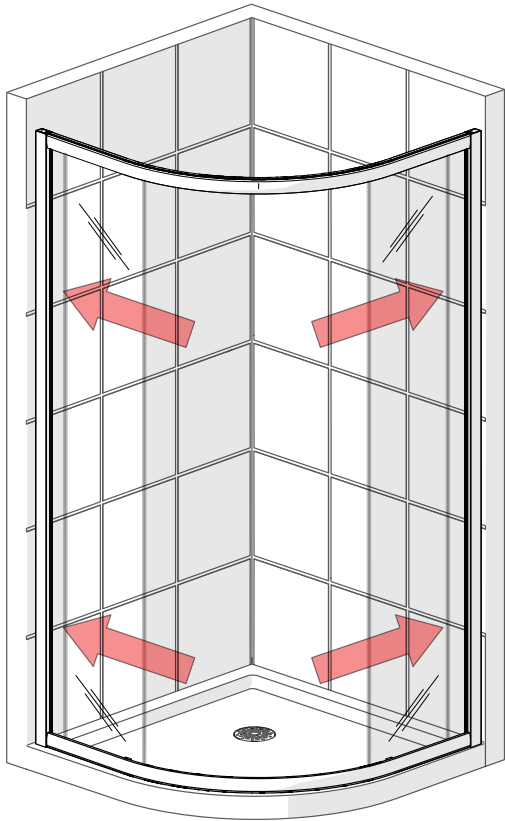


Fig 6b

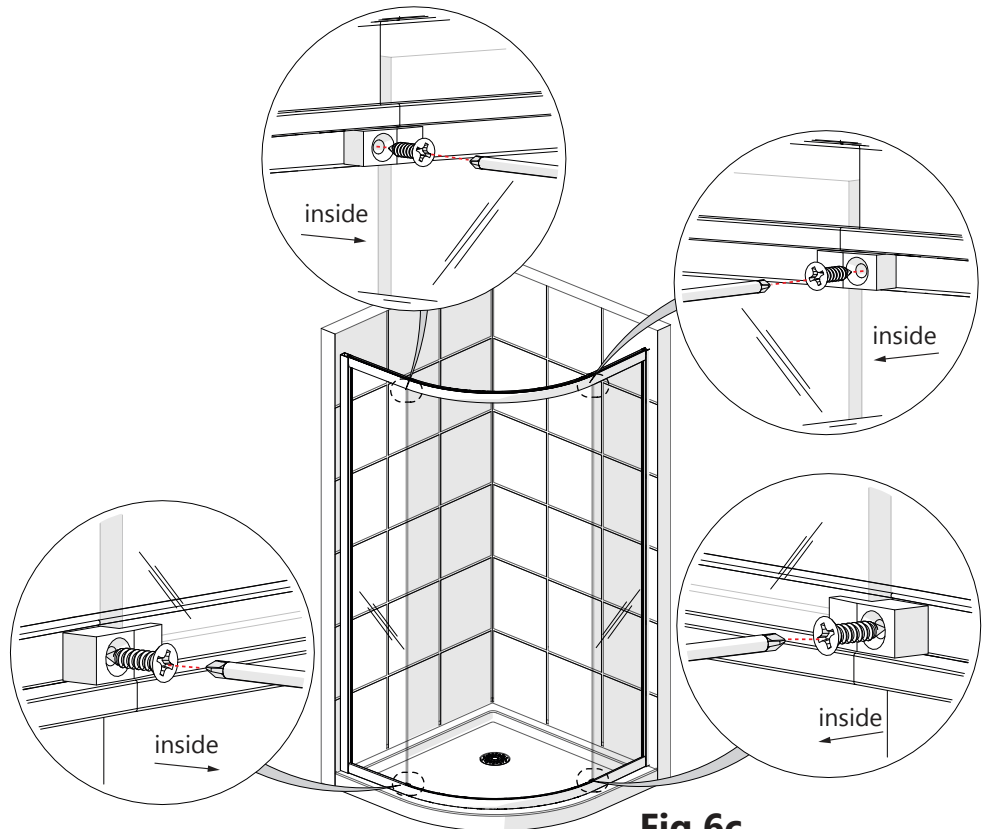
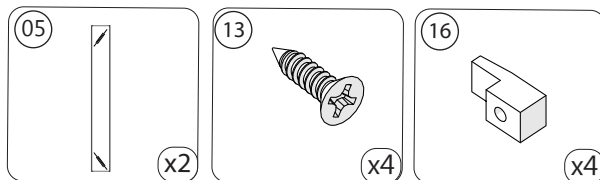
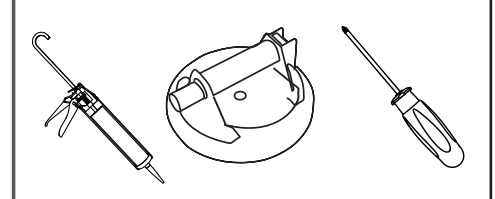


Fig 6c

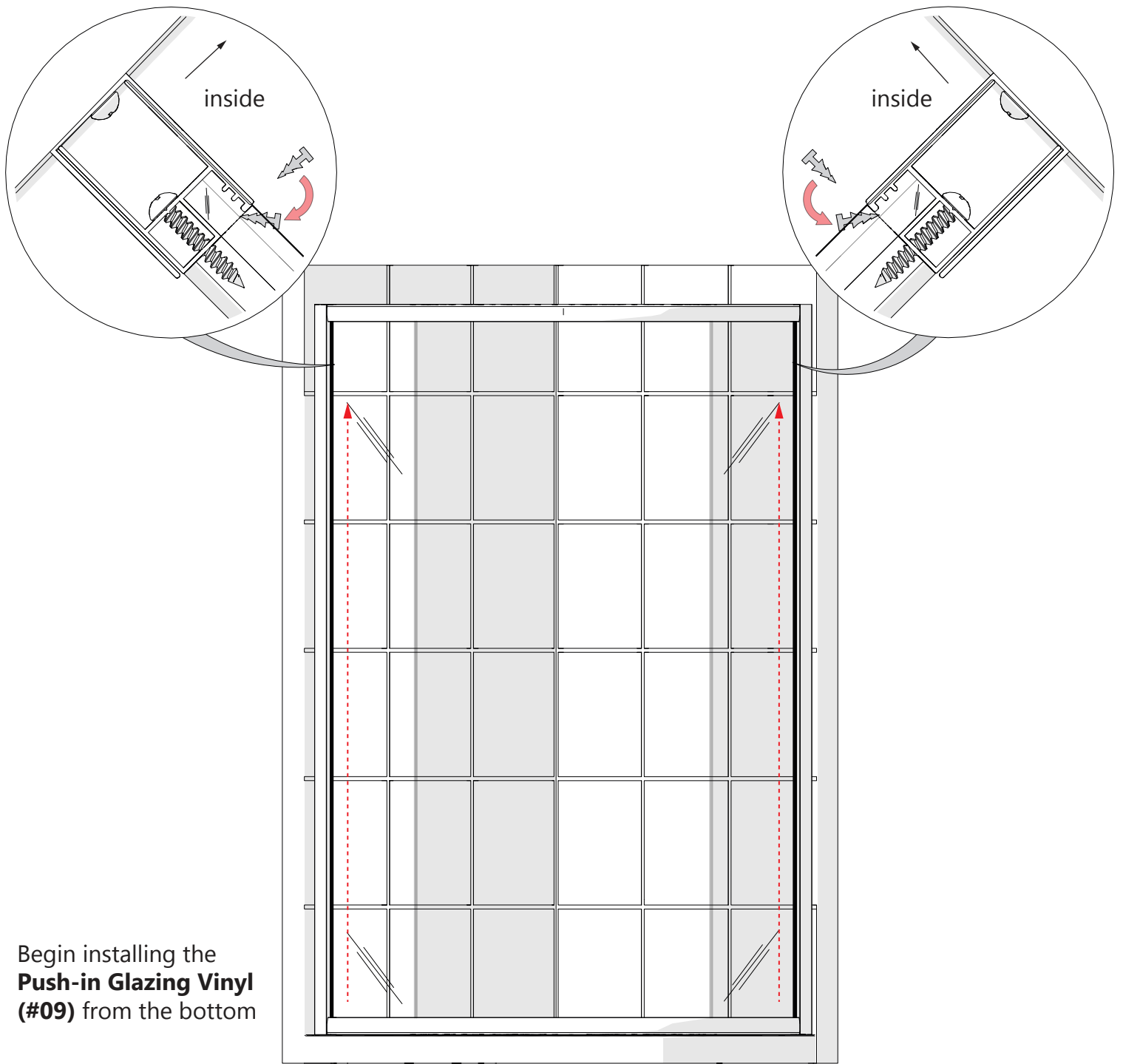
Parts Needed



Tools Needed



7



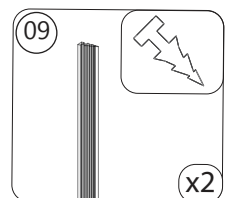
Begin installing the **Push-in Glazing Vinyl (#09)** from the bottom

Fig 7



To prevent scratching or damaging the glass and aluminum, **DO NOT** use a screwdriver or other metal tool to install the **Push-in Glazing Vinyl (#09)**. Use a plastic putty knife or similar if necessary.

**Parts Needed**



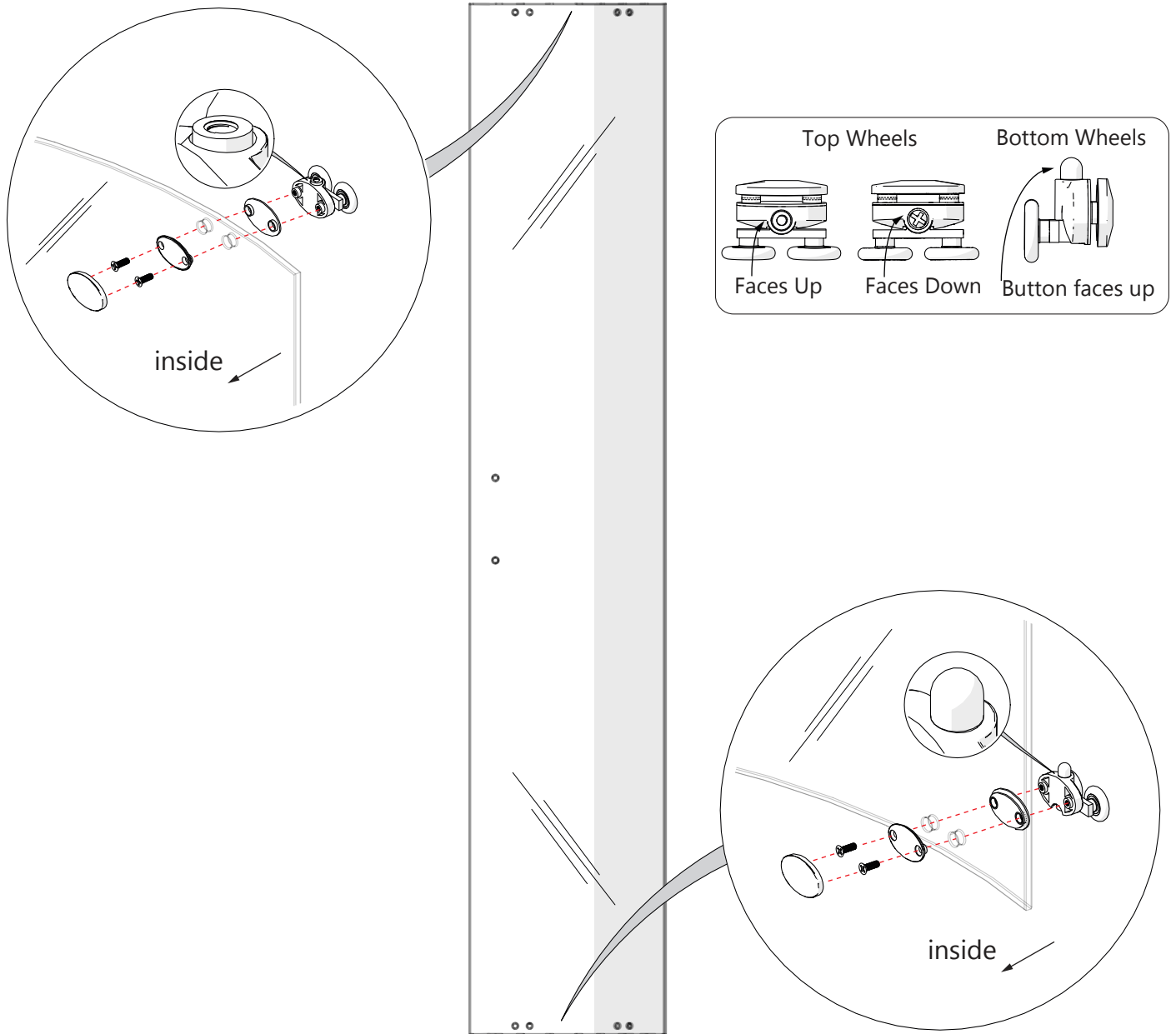
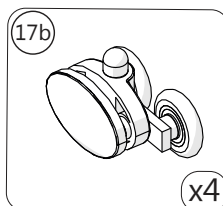
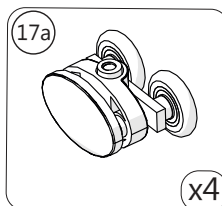
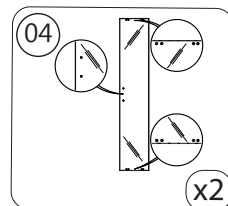


Fig 8

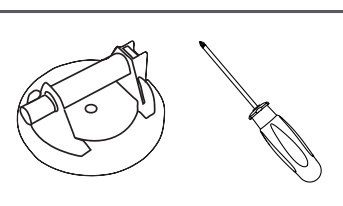


The lock nut on the **Top Roller Assembly (#17a)** and the push-button on the **Bottom Roller Assembly (#17b)** should both be pointing up for easier access. **DO NOT** overtighten the **Roller Assemblies (#17a/17b)**.

**Parts Needed**



**Tools Needed**



9

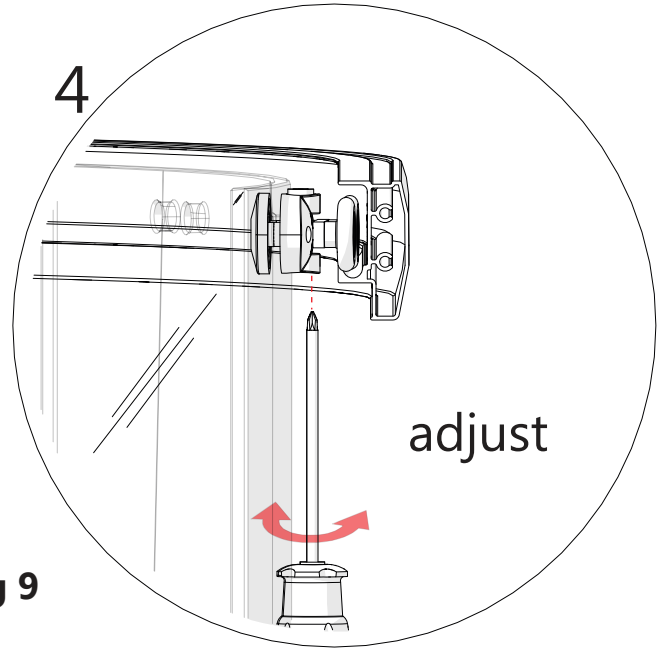
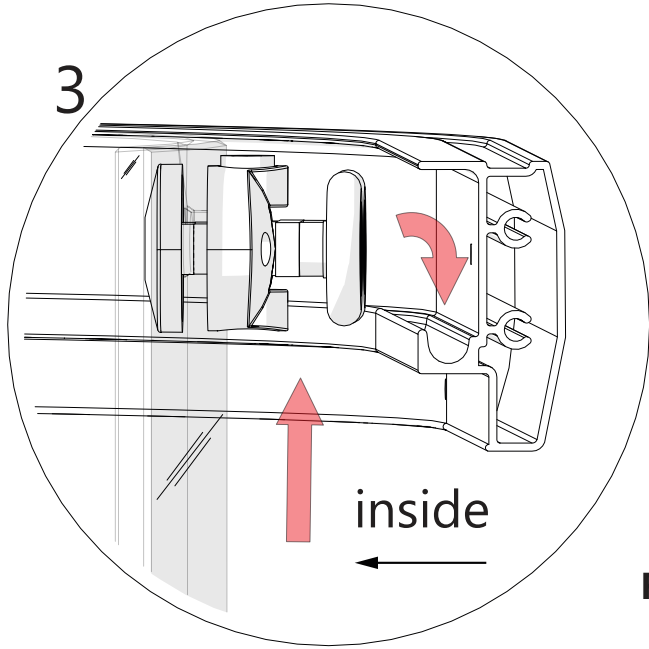
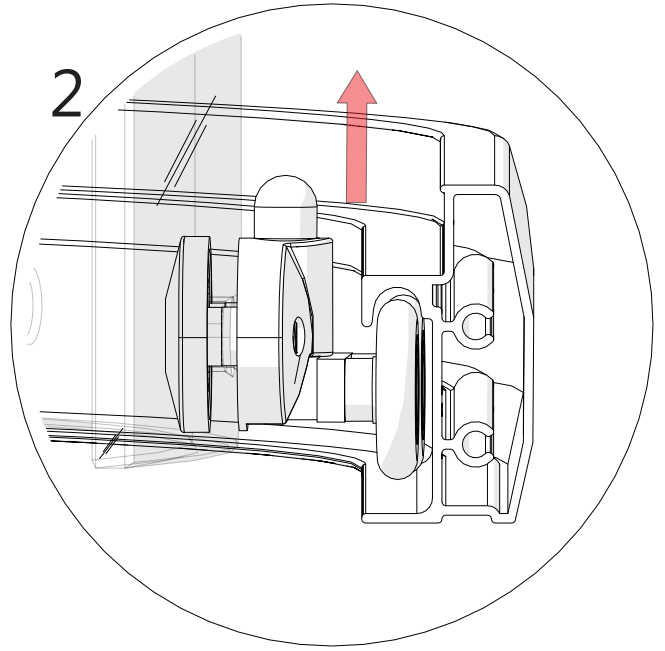
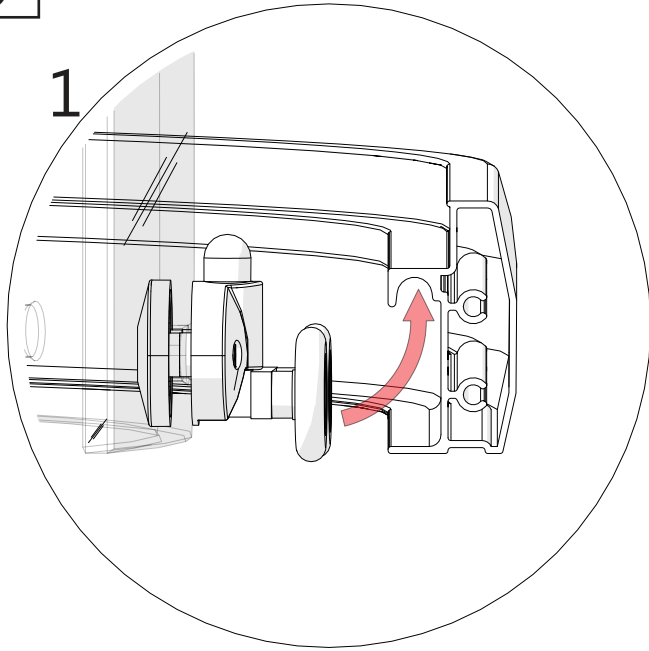


Fig 9

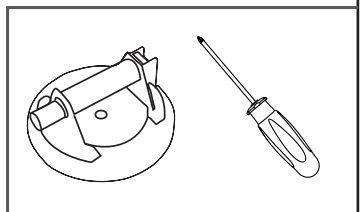
**NOTE**

Adjust the **Top Roller Assemblies (#17a)**, if necessary, for smoother operation.



Use caution not to bang the door glass together during installation. Install the Magnetic Vinyl Seals (#07) onto the door glass before fully closing the doors.

**Tools Needed**



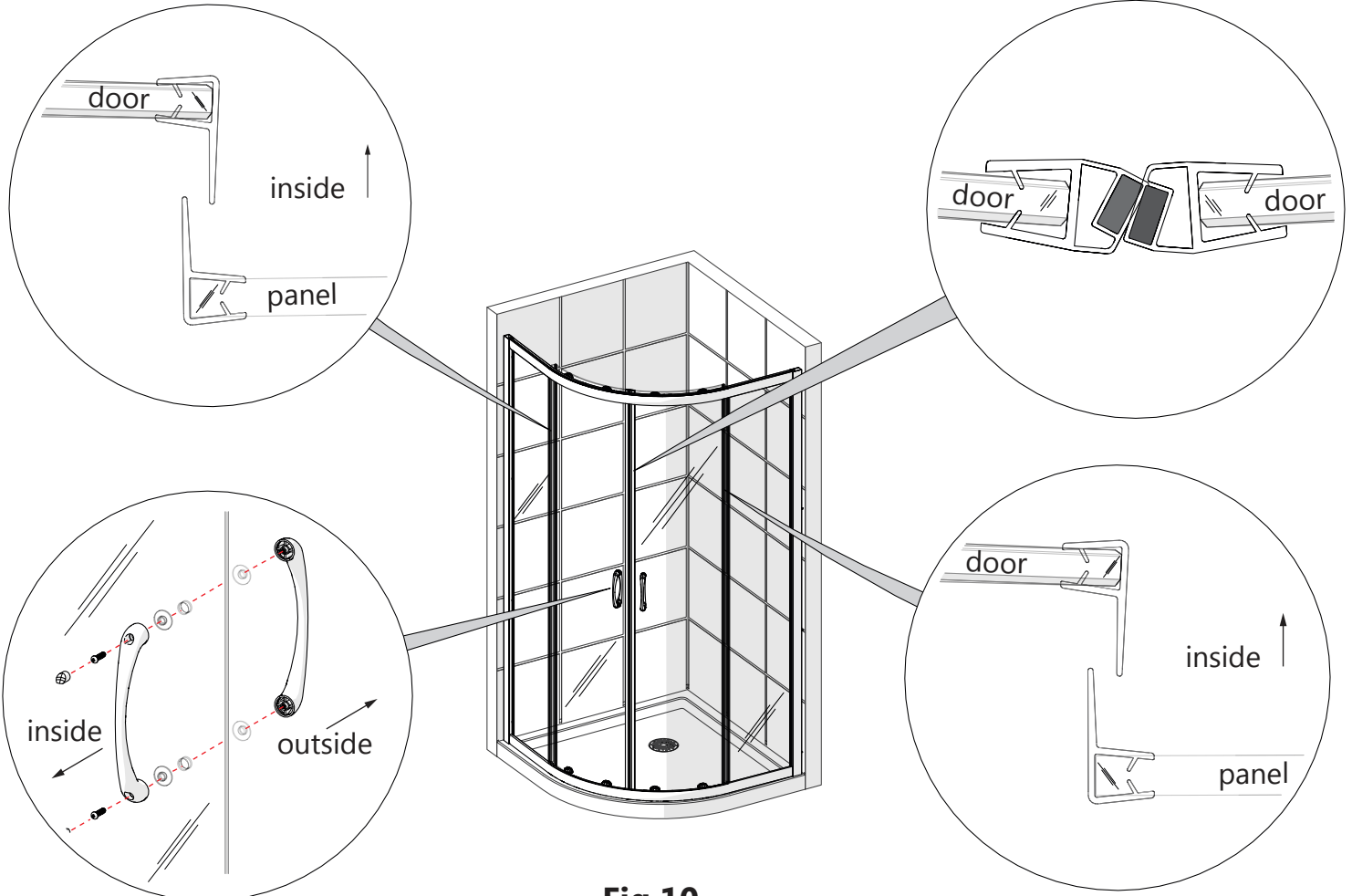
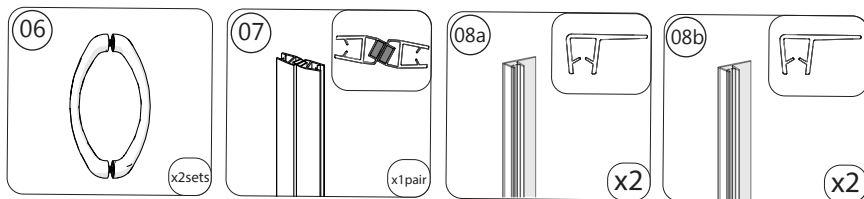
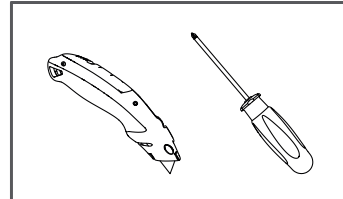


Fig 10

### Parts Needed



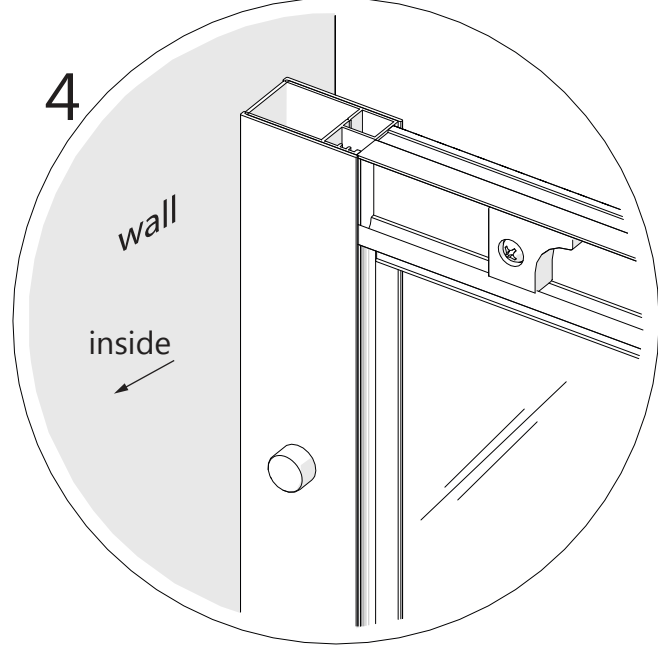
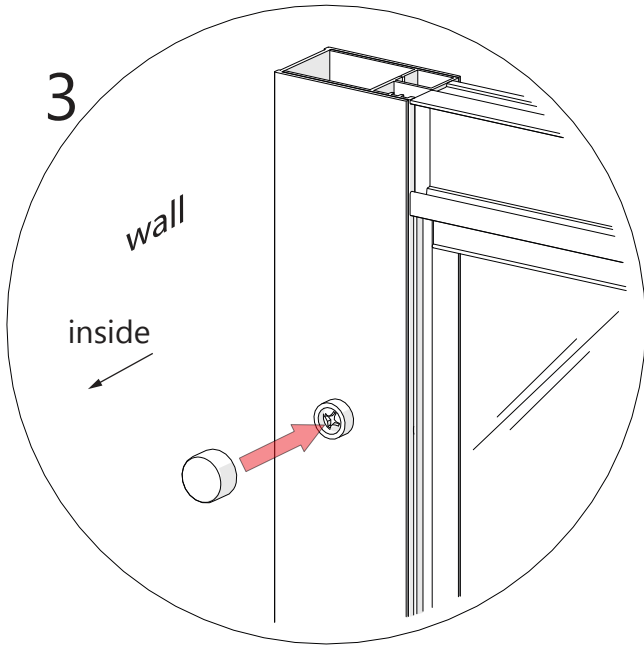
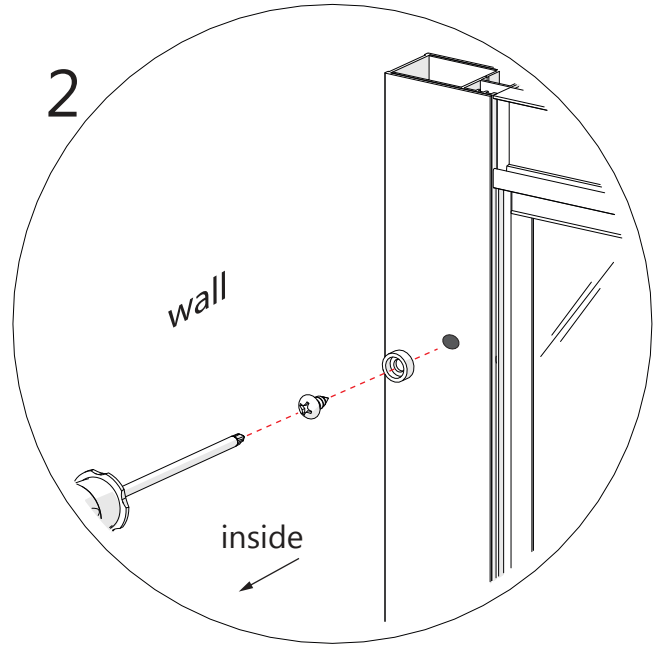
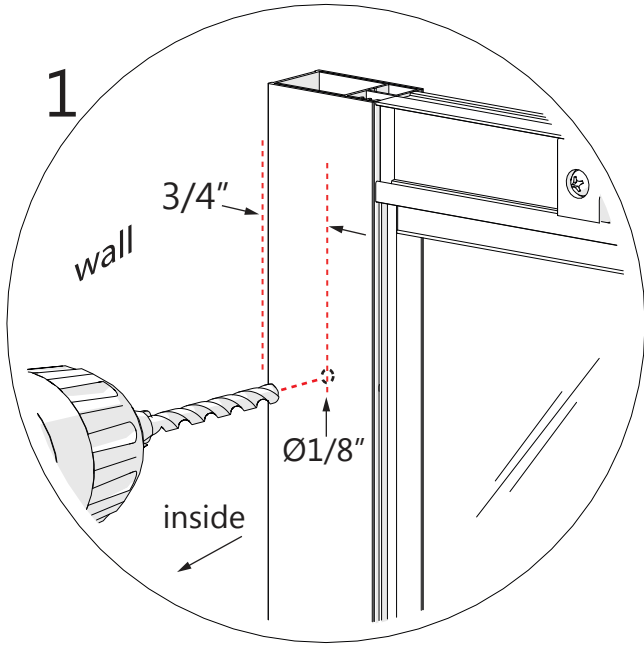
### Tools Needed



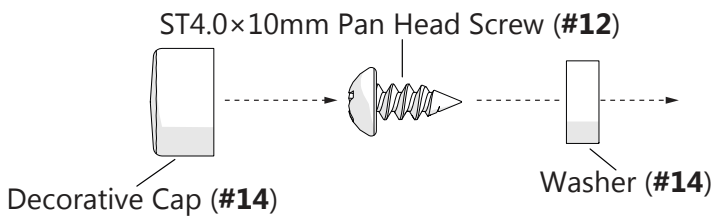
**11**



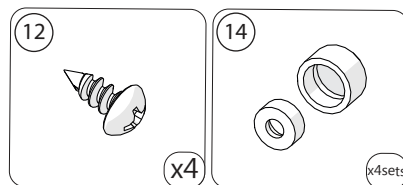
**DO NOT** drill the profiles throughout, **ONLY** through the first layer of the Wall Profile (#01) and Glass Profile (#02).



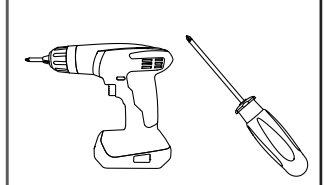
**Fig 11**



**Parts Needed**



**Tools Needed**



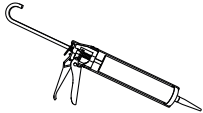


The surfaces need to be clean and free of debris before applying silicone.



Fig 12

Tools Needed



Allow 24 hours for the silicone caulk to cure before using shower.

# Product Maintenance

**BASES and BACKWALLS:** To ensure long lasting life for your acrylic back walls: wipe them off after each use with a soft cloth. To clean the acrylic back walls use non-abrasive sprays or cream based cleaners. Avoid the use of aerosol spray cleaners. Never use abrasive cleansers, metal brushes or scrapers that could permanently scratch or dull the surface.

**GLASS:** To ensure long lasting life for your glass shower products: wipe them off after each use with a soft cloth. Rinse and wipe off the glass using either a soft cloth or a squeegee to prevent soap buildup and water spots (Hard water can etch the surface of the glass over time if left to dry). To prevent scratching the surface: never use abrasive cleaners or cleaning products that contain scouring agents. Never use bristle brushes or abrasive sponges that may scratch the surface of the glass.

**HARDWARE:** To ensure a long lasting finish: wipe off all metal parts after each use with a soft cloth. Do not use abrasive cleaners or cleaning products containing ammonia, bleach or acid. If accidentally used, rinse the surface as soon as possible to prevent damage to the finish (peeling or corrosion). After cleaning the polished finishes, rinse thoroughly and wipe dry with a soft clean-cloth.

Clean stainless steel surfaces at least once a week. When applying stainless steel cleaner or polish to stainless steel hardware, work with the grain (not across the grain). Never use an abrasive sponge or cloth, steel wool or wired brush as these may permanently scratch the surfaces.



**To maximize the life of your door, it is important to regularly inspect the glass and other hardware for misalignment, proper attachment, and/or damage. Contact DreamLine® with any questions or concerns.**

## **PRIME Maintenance Checklist**

### **Maintenance Checklist**

- Inspect the Roller Assemblies; tighten if necessary
- Test operation of the doors; adjust rollers if necessary for smooth operation
- Inspect Handles; tighten if necessary
- Inspect glass clips; tighten if necessary
- Inspect and replace damaged or missing Vinyl Seals.
- Remove Vinyl Seals to inspect the edges of the glass for concealed damage.  
**Damaged glass must be replaced!**
- Inspect silicone application. Repalce as necessary to prevent leakage. (refer to the manufacture's recommendations on the proper application of their product).

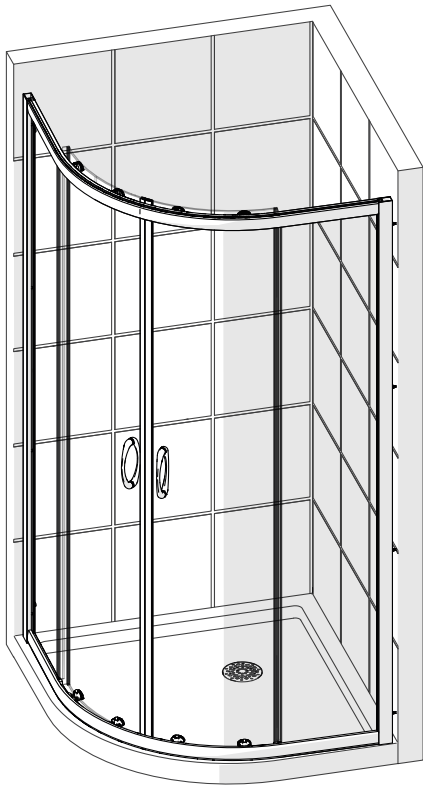
# Troubleshooting

Problem/Symptom	Suggested Solution
Missing Parts	<ul style="list-style-type: none"> <li>•Check all shipping/packaging material for missing parts/components.</li> <li>•If not found, contact DreamLine Customer Support [1-855-831-2126] to order factory part replacement.</li> </ul>
<b>Magnetic Strike Vinyl (#07)</b> is not creating a tight seal.	<ul style="list-style-type: none"> <li>•Inspect the <b>Magnetic Vinyl Seal (#07)</b> for proper installation so that the magnets attract and create a tight seal.</li> <li>•See Step 10 for an image of the correct installation method.</li> </ul>
Water Leakage: underneath <b>Bottom Guide Rail (#03)</b>	<ul style="list-style-type: none"> <li>•Make certain that the bottom rail is tight to the threshold and that silicone is creating a seal along the entire length of the bottom rail.</li> <li>•If the bottom rail is not making contact with the threshold, it may be necessary to redo Steps 4-5 to create a better seal.</li> </ul>
Water Leakage: <b>Inline Panel/Door Glass (#05/04)</b>	<ul style="list-style-type: none"> <li>•Starting from the bottom, confirm that the <b>Push-in Glazing Vinyl (#09)</b> is correctly inserted into the glass profile. [see Fig 7]</li> <li>•If possible, direct the flow of water away from the area.</li> </ul>
<b>Door Glass (#04)</b> is not rolling smoothly/closing tightly.	<ul style="list-style-type: none"> <li>•Use a #2 phillips screwdriver to evenly adjust the <b>Top Wheel Assemblies (#17a)</b> until the <b>Door Glass (#04)</b> rolls smoothly and tightly closes. [see Fig 9.4]</li> <li>•The top wheel assemblies for both doors will need to be adjusted so that the magnetic vinyls will create a tight seal when the doors are closed.</li> </ul>
<b>Inline Panel Glass (#05)</b> shakes/rattles while in operation.	<ul style="list-style-type: none"> <li>•Starting from the bottom, confirm that the <b>Push-in Glazing Vinyl (#09)</b> is installed tightly between the <b>Inline Panel Glass (#05)</b> and <b>Glass Profile (#02)</b>.</li> <li>•Inspect the <b>Glass Clips (#16)</b> for correct installation and tighten if necessary. [see Step 7]</li> </ul>

Prior to contacting DreamLine® Customer Service, please have the following information readily available:

- Purchase Order Information
- Name, PO Number, Dealer/Vendor Name, etc.
- SKU/Model Number (see Pages 23-25)
- Factory Part Information (see Pages 23-25)

## Factory Parts Information



**PRIME 31x31**  
SHEN-7031310

PRIME 31x31 SHEN-7031310		FACTORY PARTS INFORMATION	
ITEM #	FACTORY PART NUMBER	ITEM DESCRIPTION	QTY
01	041830 <b>1</b> 1-1830 / 041830 <b>4</b> 1-1830	Left or Right Wall Profile	2 pcs
02	040020 <b>1</b> 1-1830 / 040020 <b>4</b> 1-1830	Left or Right Glass Profile for 6mm (1/4in) Glass	2 pcs
03	040010 <b>1</b> 2-1280 / 040010 <b>4</b> 2-1280	Top or Bottom Guide Rail (curved)	2 pcs
---	07550009	Roller Stopper (pre-attached to #03)	8 pcs
---	092102	ST4.2 x 16mm Countersunk Screw (pre-attached to #03)	8 pcs
04	013021015 / 013021019	Door Glass (Clear / Frosted)	2 pcs
05	013021012 / 013021016	Inline Panel Glass (Clear / Frosted)	2 pcs
06	0724 <b>1</b> 001 / 0724 <b>4</b> 001	Back-to-Back Handle for 6mm (1/4in) Glass	2 sets
07	062002061-1813	Magnetic Strike Vinyl for 6mm (1/4in) Glass	1 pair
08a	063001060-1743	Vinyl Seal with a Flexible Fin for 6mm (1/4in) Glass (for panel)	2 pcs
08b	063001060-1814	Vinyl Seal with a Flexible Fin for 6mm (1/4in) Glass (for door)	2 pcs
09	060001000-1765	Push-in Glazing Vinyl for 6mm (1/4in) Glass	2 pcs
10	091131	ST4.0 x 55 Pan Head Screw	8 pcs
11	091104	ST4.0 x 25mm Pan Head Screw	8 pcs
12	091101	ST4.0 x 10mm Pan Head Screw	4 pcs
13	092102	ST4.2 x 16mm Countersunk Screw	4 pcs
14	0755 <b>1</b> 011 / 0755 <b>4</b> 011	Decorative Cover and Washer	4 sets
15	07550045	Wall Anchor 8mm (5/16in)	8 pcs
16	0755 <b>1</b> 014 / 0755 <b>4</b> 014	Glass Clip for 6mm (1/4in) Glass	4 pcs
17a	0734 <b>1</b> 010 / 0734 <b>4</b> 010	Double Roller Assembly (top) for 6mm (1/4in) Glass	4 pcs
17b	0734 <b>1</b> 011 / 0734 <b>4</b> 011	Double Roller Assembly (bottom) for 6mm (1/4in) Glass	4 pcs

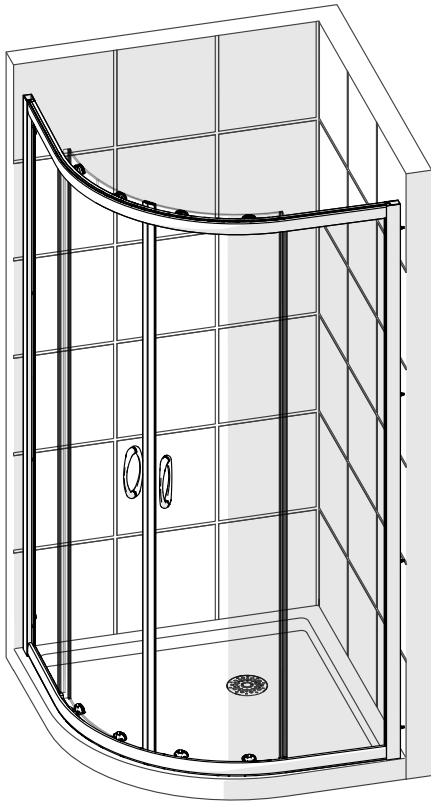
**BOLD** digit indicates finish color:

**1** = Chrome

**4** = Brushed Nickel

Contact [Support@DreamLine.com](mailto:Support@DreamLine.com) for Part replacement, installation assistance or additional information  
Complete **Warranty** information is available on [DreamLine.com](http://DreamLine.com)

## Factory Parts Information



**PRIME 34x34**  
SHEN-7034340

PRIME 34x34 SHEN-7034340		FACTORY PARTS INFORMATION	
ITEM #	FACTORY PART NUMBER	ITEM DESCRIPTION	QTY
01	041830 <b>1</b> 1-1830 / 041830 <b>4</b> 1-1830	Left or Right Wall Profile	2 pcs
02	040020 <b>1</b> 1-1830 / 040020 <b>4</b> 1-1830	Left or Right Glass Profile for 6mm (1/4in) Glass	2 pcs
03	040010 <b>1</b> 2-1432 / 040010 <b>4</b> 2-1432	Top or Bottom Guide Rail (curved)	2 pcs
---	07550009	Roller Stopper (pre-attached to #03)	8 pcs
---	092102	ST4.2 x 16mm Countersunk Screw (pre-attached to #03)	8 pcs
04	013021015 / 013021019	Door Glass (Clear / Frosted)	2 pcs
05	013021013 / 013021017	Inline Panel Glass (Clear / Frosted)	2 pcs
06	0724 <b>1</b> 001 / 0724 <b>4</b> 001	Back-to-Back Handle for 6mm (1/4in) Glass	2 sets
07	062002061-1813	Magnetic Strike Vinyl for 6mm (1/4in) Glass	1 pair
08a	063001060-1743	Vinyl Seal with a Flexible Fin for 6mm (1/4in) Glass (for panel)	2 pcs
08b	063001060-1814	Vinyl Seal with a Flexible Fin for 6mm (1/4in) Glass (for door)	2 pcs
09	060001000-1765	Push-in Glazing Vinyl for 6mm (1/4in) Glass	2 pcs
10	091131	ST4.0 x 55 Pan Head Screw	8 pcs
11	091104	ST4.0 x 25mm Pan Head Screw	8 pcs
12	091101	ST4.0 x 10mm Pan Head Screw	4 pcs
13	092102	ST4.2 x 16mm Countersunk Screw	4 pcs
14	0755 <b>1</b> 011 / 0755 <b>4</b> 011	Decorative Cover and Washer	4 sets
15	07550045	Wall Anchor 8mm (5/16in)	8 pcs
16	0755 <b>1</b> 014 / 0755 <b>4</b> 014	Glass Clip for 6mm (1/4in) Glass	4 pcs
17a	0734 <b>1</b> 010 / 0734 <b>4</b> 010	Double Roller Assembly (top) for 6mm (1/4in) Glass	4 pcs
17b	0734 <b>1</b> 011 / 0734 <b>4</b> 011	Double Roller Assembly (bottom) for 6mm (1/4in) Glass	4 pcs

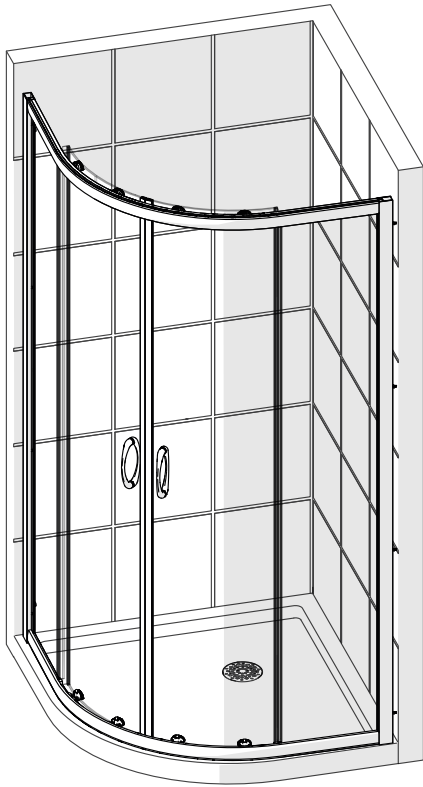
**BOLD** digit indicates finish color:

**1** = Chrome

**4** = Brushed Nickel

Contact [Support@DreamLine.com](mailto:Support@DreamLine.com) for Part replacement, installation assistance or additional information  
Complete **Warranty** information is available on [DreamLine.com](http://DreamLine.com)

## Factory Parts Information



**PRIME 36x36**  
SHEN-7036360

PRIME 36x36 SHEN-7036360		FACTORY PARTS INFORMATION	
ITEM #	FACTORY PART NUMBER	ITEM DESCRIPTION	QTY
01	041830 <b>11</b> -1830 / 041830 <b>41</b> -1830	Left or Right Wall Profile	2 pcs
02	040020 <b>11</b> -1830 / 040020 <b>41</b> -1830	Left or Right Glass Profile for 6mm (1/4in) Glass	2 pcs
03	040010 <b>12</b> -1534 / 040010 <b>42</b> -1534	Top or Bottom Guide Rail (curved)	2 pcs
---	07550009	Roller Stopper (pre-attached to #03)	8 pcs
---	092102	ST4.2 x 16mm Countersunk Screw (pre-attached to #03)	8 pcs
04	013021015 / 013021019	Door Glass (Clear / Frosted)	2 pcs
05	013021014 / 013021018	Inline Panel Glass (Clear / Frosted)	2 pcs
06	0724 <b>1001</b> / 0724 <b>4001</b>	Back-to-Back Handle for 6mm (1/4in) Glass	2 sets
07	062002061-1813	Magnetic Strike Vinyl for 6mm (1/4in) Glass	1 pair
08a	063001060-1743	Vinyl Seal with a Flexible Fin for 6mm (1/4in) Glass (for panel)	2 pcs
08b	063001060-1814	Vinyl Seal with a Flexible Fin for 6mm (1/4in) Glass (for door)	2 pcs
09	060001000-1765	Push-in Glazing Vinyl for 6mm (1/4in) Glass	2 pcs
10	091131	ST4.0x55mm Pan Head Screw	8 pcs
11	091104	ST4.0 x 25mm Pan Head Screw	8 pcs
12	091101	ST4.0 x 10mm Pan Head Screw	4 pcs
13	092102	ST4.2 x 16mm Countersunk Screw	4 pcs
14	0755 <b>1011</b> / 0755 <b>4011</b>	Decorative Cover and Washer	4 sets
15	07550045	Wall Anchor 8mm (5/16in)	8 pcs
16	0755 <b>1014</b> / 0755 <b>4014</b>	Glass Clip for 6mm (1/4in) Glass	4 pcs
17a	0734 <b>1010</b> / 0734 <b>4010</b>	Double Roller Assembly (top) for 6mm (1/4in) Glass	4 pcs
17b	0734 <b>1011</b> / 0734 <b>4011</b>	Double Roller Assembly (bottom) for 6mm (1/4in) Glass	4 pcs

**BOLD** digit indicates finish color:

**1** = Chrome

**4** = Brushed Nickel

Contact [Support@DreamLine.com](mailto:Support@DreamLine.com) for Part replacement, installation assistance or additional information  
Complete **Warranty** information is available on [DreamLine.com](http://DreamLine.com)



---

---

TEL: 866-731-2244  
FAX: 866-857-3638  
DREAMLINE.COM



For more information on DreamLine® Shower Doors and Enclosures please visit **DreamLine.com**