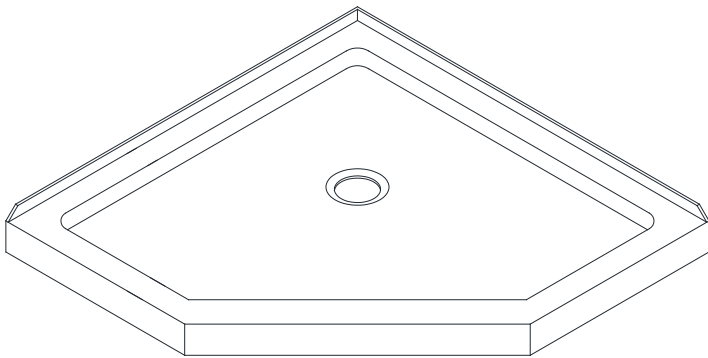


Prism Plus Shower Enclosure & Base

SHOWER ENCLOSURE & BASE INSTALLATION INSTRUCTIONS

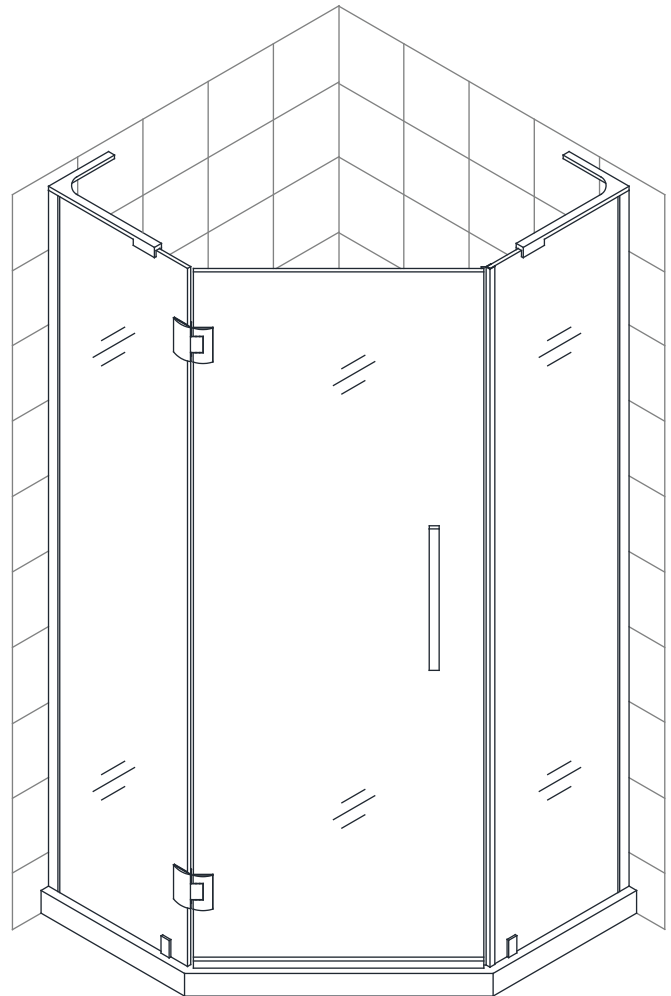
IMPORTANT

DreamLine[®] reserves the right to alter, modify or redesign products at any time without prior notice. For the latest up-to-date technical drawings, manuals, warranty information or additional details please refer to your model's web page on **DreamLine.com**



STEP 1: Shower Base Installation Instructions

STEP 2: Shower Enclosure Installation Instructions



Questions?

Please Call **DreamLine** Customer Support: **1-855-831-2126**
Hours of Operation M-F 8AM - 7PM EST and Saturday 9AM - 5PM EST

Support@DreamLine.com



For more information about DreamLine[®] Shower Doors, Tub Doors & Enclosures, please visit **DreamLine.com**

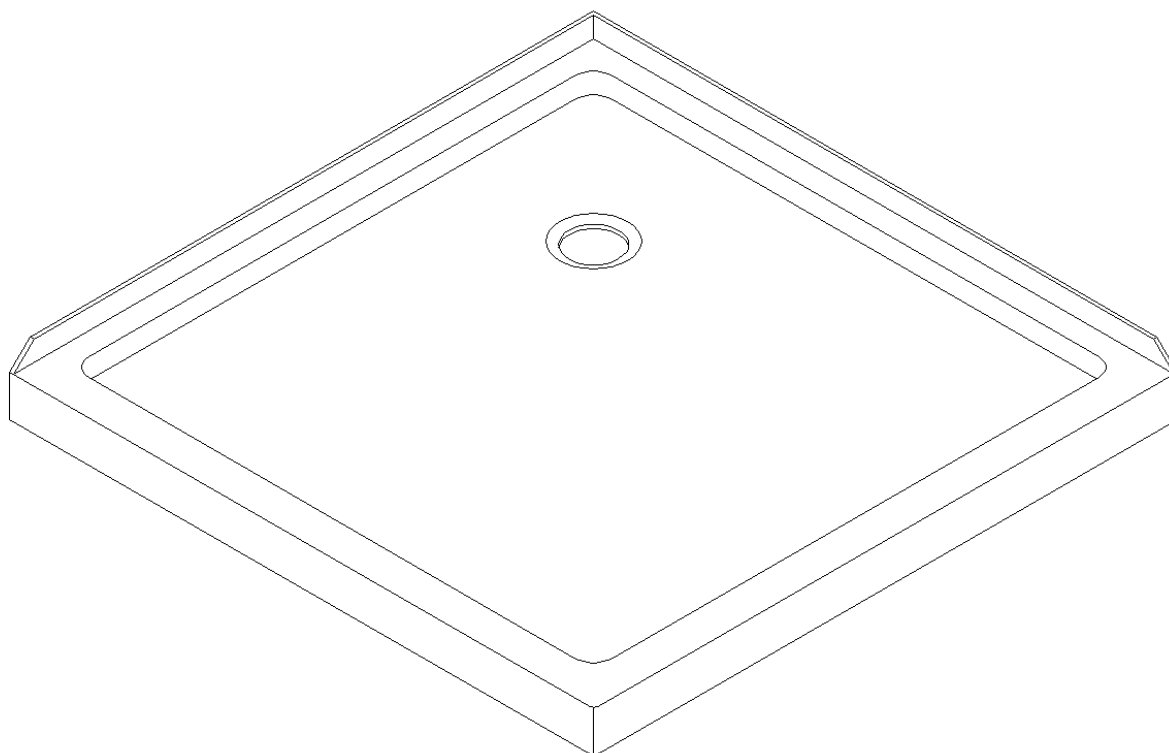


SLIMLINE SHOWER BASE

SHOWER BASE DIMENSIONS AND INSTALLATION INSTRUCTIONS

IMPORTANT!

DreamLine® reserves the right to alter, modify or redesign products at any time without prior notice. For the latest up-to-date technical drawings, manuals, warranty information or additional details please refer to your model's web page on DreamLine.com



Double Threshold Shower Base with Corner Drain Configuration
shown as an example

Color options:

- - White
- 22- Biscuit
- 88- Black

Please review this entire manual before beginning installation



Questions?

Please Call **DreamLine Customer Support: 1-855-831-2126**
Hours of Operation M-F 8AM - 7PM EST and Saturday 9AM - 5PM EST

Support@DreamLine.com



For more information about DreamLine® products please visit DreamLine.com

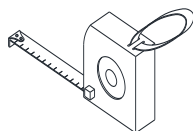
Preparation

1. Prior to installation, examine all boxes and packages for shipping damage and compare the piece count with your packing slip. After opening all boxes and packages read this introduction carefully. Check that all of the needed parts are included in the package by checking off the components on the "Detailed Diagram of Shower Door Components". If the unit has been damaged, has a finishing defect, or has missing parts, please contact our customer support department within **3 business days** of the delivery date. Please note that **DreamLine® will not replace any damaged products or missing parts free of charge after 3 business days or if the product has been installed.** Please contact DreamLine® if you have any questions and please provide an order number, job name or other proof of purchase to help identify the original order.
2. Install all of the required plumbing and drainage before installing the shower base. **Use a competent and licensed (if required by local code) plumber for all plumbing installation.**
3. **Shower bases must be installed by a licensed plumber. Please note that you should consult your local building codes with questions on installation compliance standards. Building and plumbing codes may vary by location and DreamLine® is not responsible for code compliance standards for your project.**
4. Make sure that prior to the installation the installation surface is leveled and solid and will be able to support the total weight of the unit. Also make sure the walls are at right angles. While some adjustment in leveling of the tray is possible, irregular installation surface level or improper angle of side walls will result in serious problems for your installation. Please note that some adjustments may be necessary during the installation process.
5. **Center drain configurations are centered on the width only. See technical drawing tables for drain locations.**
6. **Drain not included with this product.** The drain *opening* is 3-3/8" in diameter and **accepts a standard 2" compression fitted drain.**

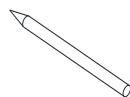
IMPORTANT NOTE:

Dimensions provided are for reference only. Measure the actual shower tray before installation. This includes overall dimensions and drain location. Allowed tolerance for center of the drain is +/-1/2".

Tools Required



Tape
Measure



Pencil



Level

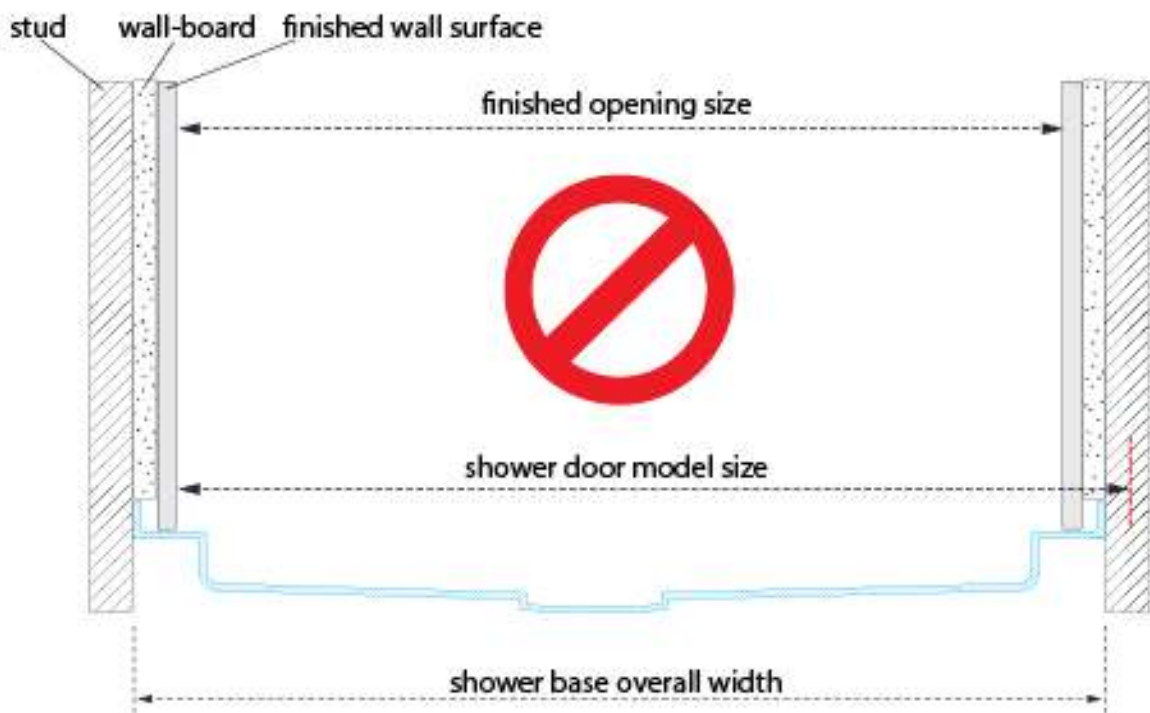
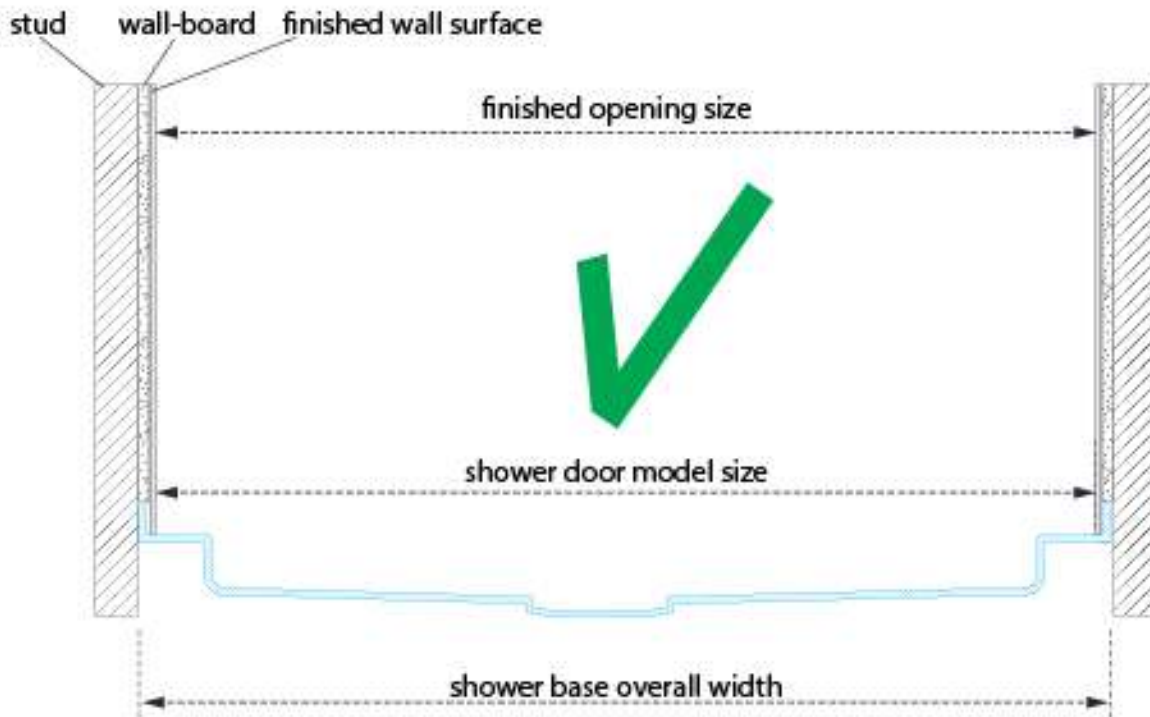


Mortar



When constructing or installing a shower base, consider how **the thickness of the wall treatment (wallboard, tile, etc.) will affect the finished opening size for the shower door.**

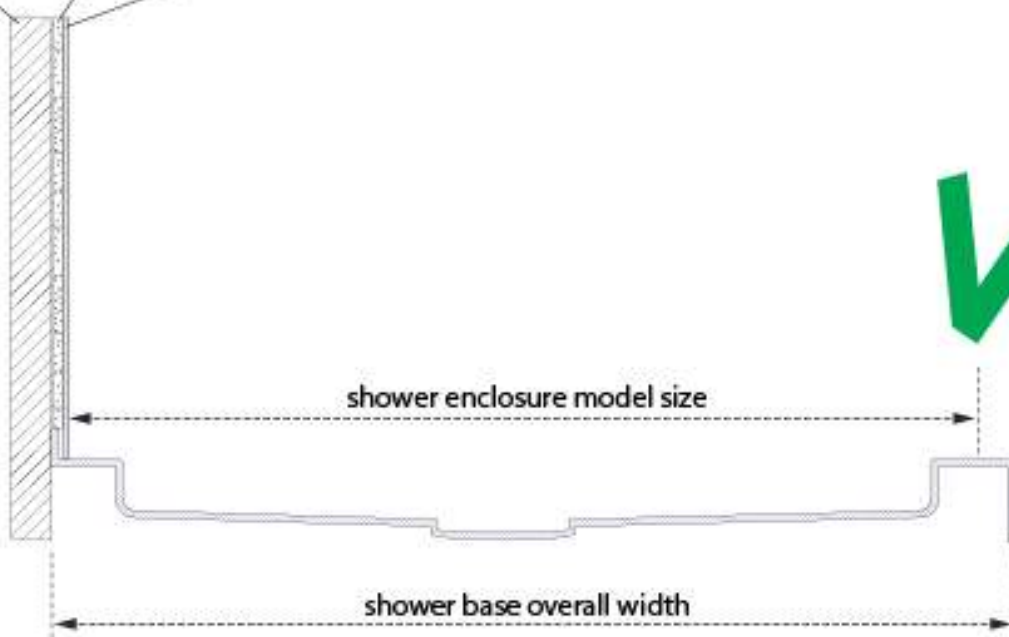
Compare the overall dimensions of the shower door model with the finished opening size before proceeding with the installation.



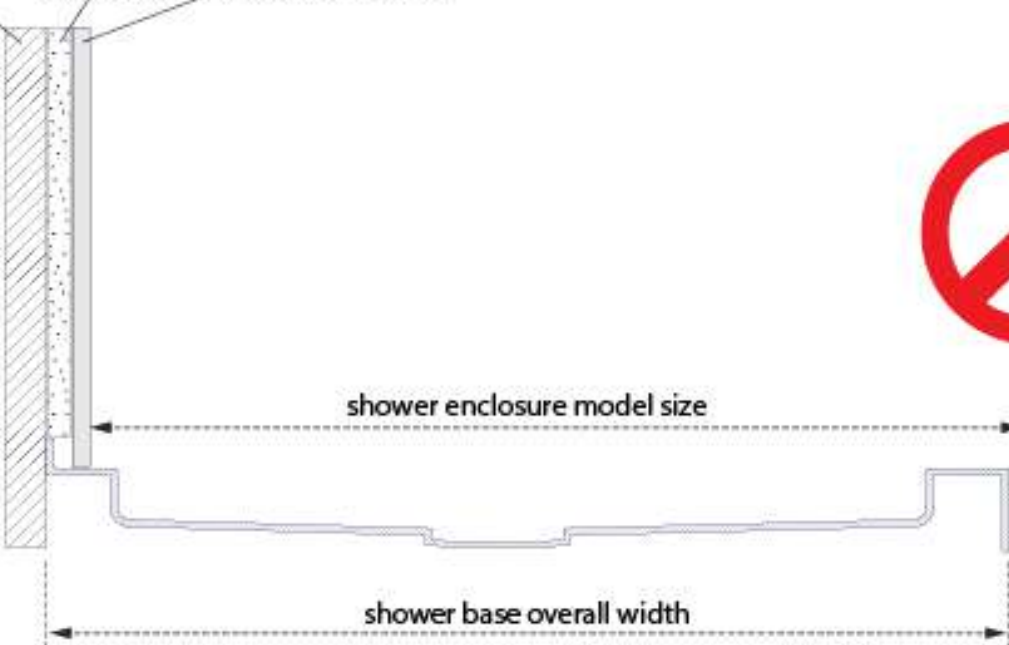


When constructing or installing a shower base, consider how **the thickness of the wall treatment (wallboard, tile, etc.) will affect where the shower enclosure will sit on the threshold.** Compare the overall outside dimensions of the shower enclosure model size with the finished threshold before proceeding with the installation.

stud wall-board finished wall surface

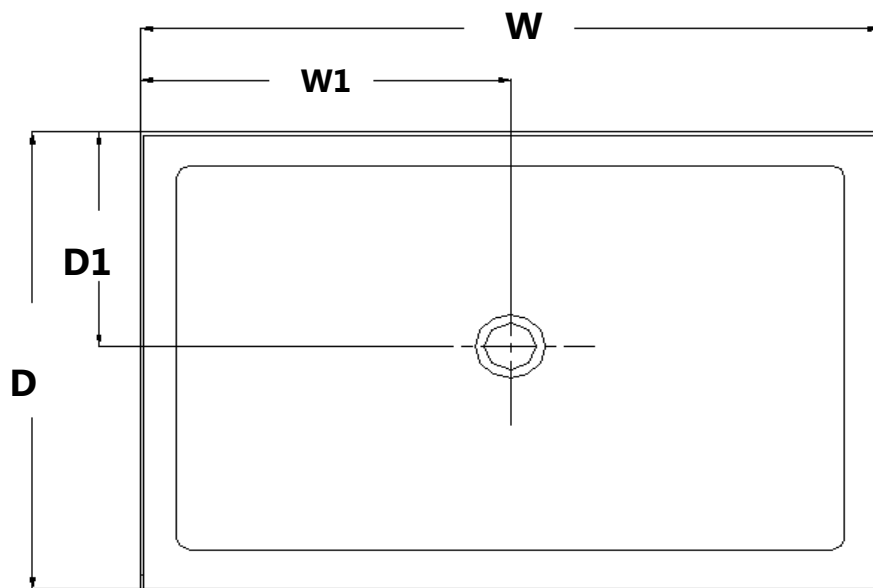
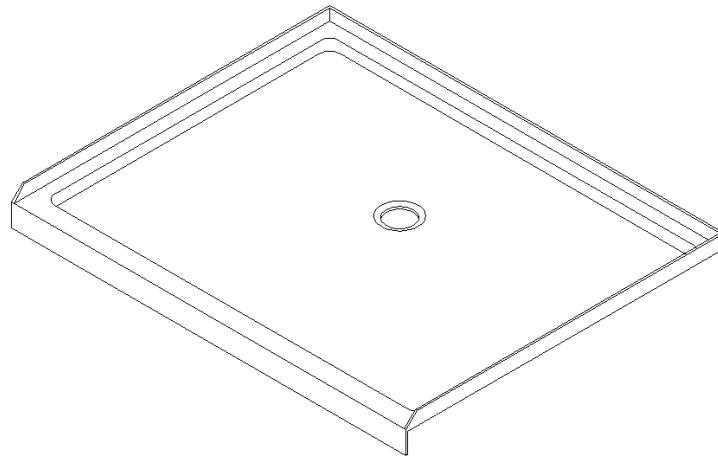


stud wall-board finished wall surface



SINGLE THRESHOLD SHOWER BASE

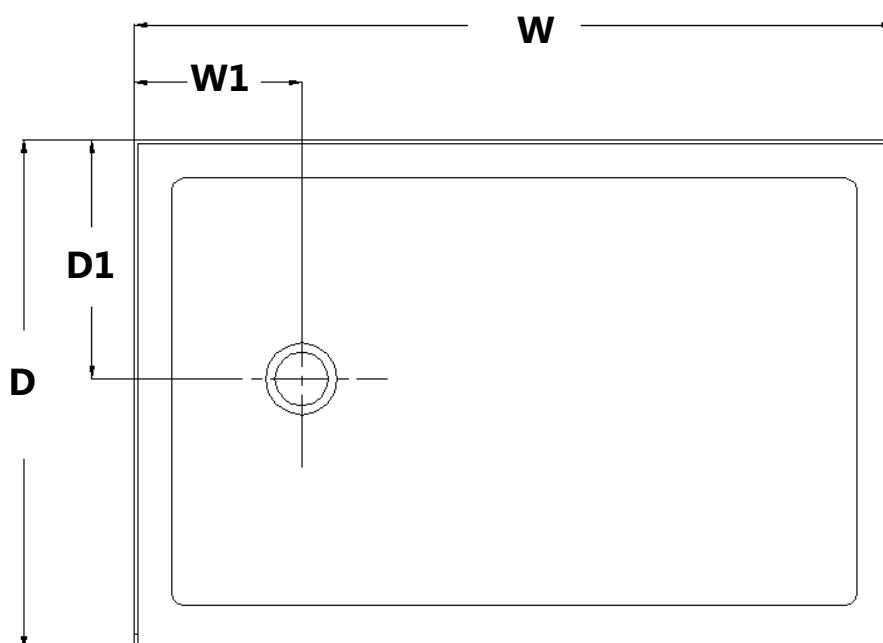
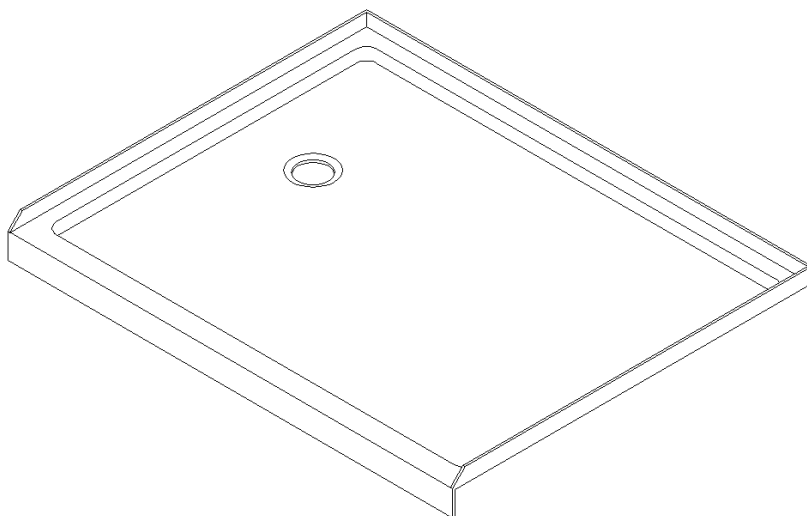
Center Drain Configuration



MODEL	SPECIFICATION	D (in)	W (in)	D1 (in)	W1 (in)
DLT-1132320	32" x 32"	32"	32"	15"	16"
DLT-1136360	36" x 36"	36"	36"	15"	18"
DLT-1132420	32" x 42"	32"	42"	15"	21"
DLT-1134420	34" x 42"	34"	42"	15"	21"
DLT-1136420	36" x 42"	36"	42"	15"	21"
DLT-1142420	42" x 42"	42"	42"	20"	21"
DLT-1132480	32" x 48"	32"	48"	15"	24"
DLT-1134480	34" x 48"	34"	48"	15"	24"
DLT-1136480	36" x 48"	36"	48"	15"	24"
DLT-1132540	32" x 54"	32"	54"	15"	27"
DLT-1134540	34" x 54"	34"	54"	15"	27"
DLT-1136540	36" x 54"	36"	54"	15"	27"
DLT-1130600	30" x 60"	30"	60"	15"	30"
DLT-1132600	32" x 60"	32"	60"	15"	30"
DLT-1134600	34" x 60"	34"	60"	15"	30"
DLT-1136600	36" x 60"	36"	60"	15"	30"

SINGLE THRESHOLD SHOWER BASE

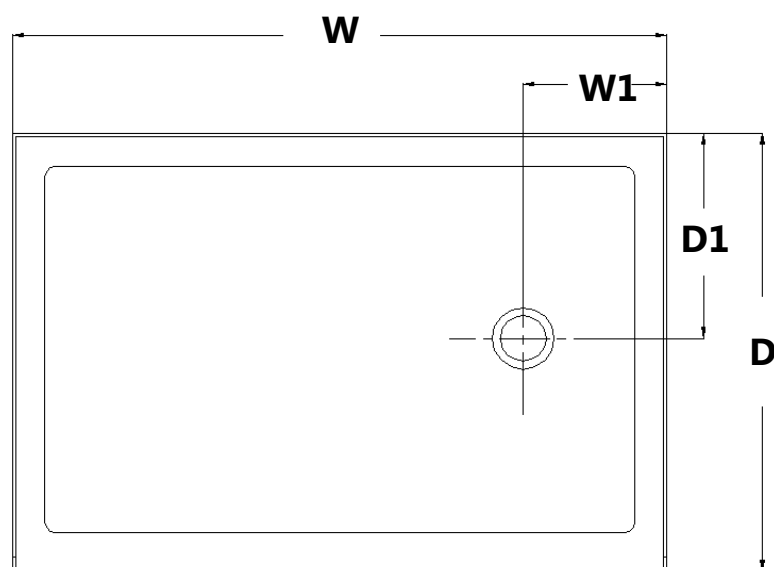
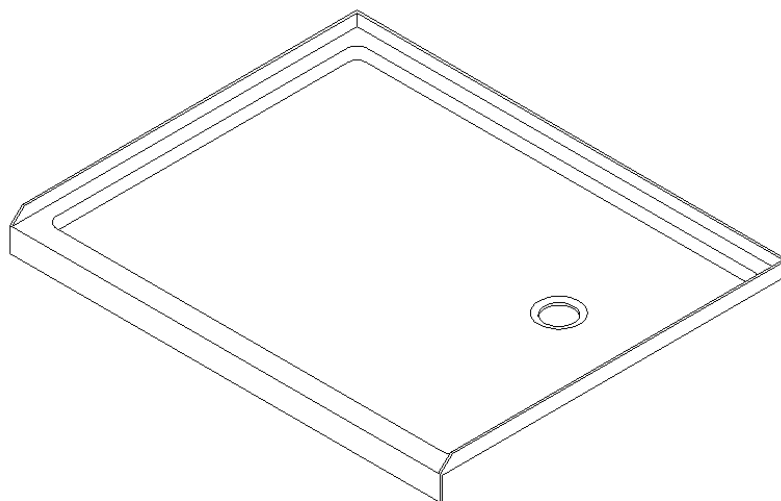
Left-Hand Drain Configuration



MODEL	SPECIFICATION	D (in)	W (in)	D1 (in)	W1 (in)
DLT-1130601	30"×60"	30"	60"	15"	12"
DLT-1132601	32"×60"	32"	60"	15"	12"
DLT-1134601	34"×60"	34"	60"	17"	12"
DLT-1136601	36"×60"	36"	60"	18"	12"

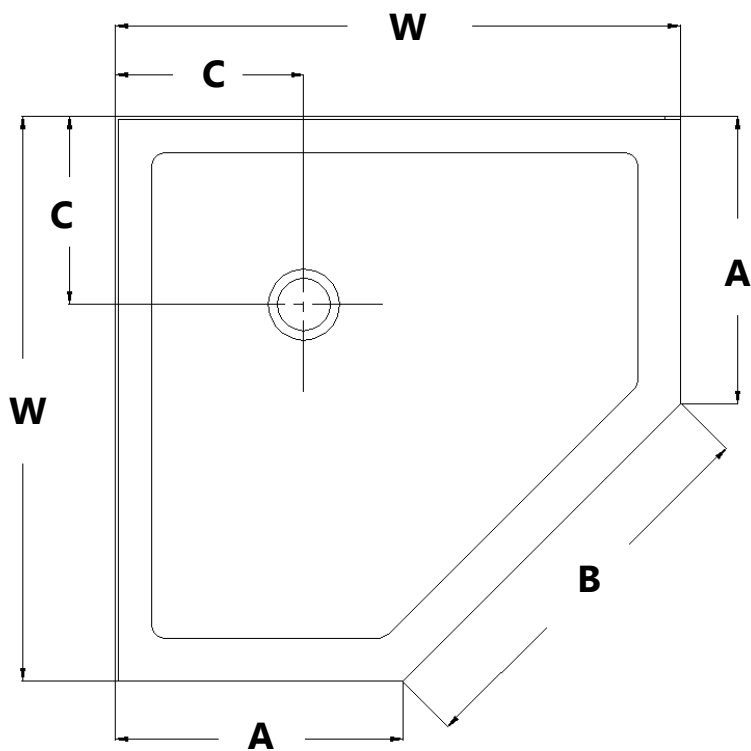
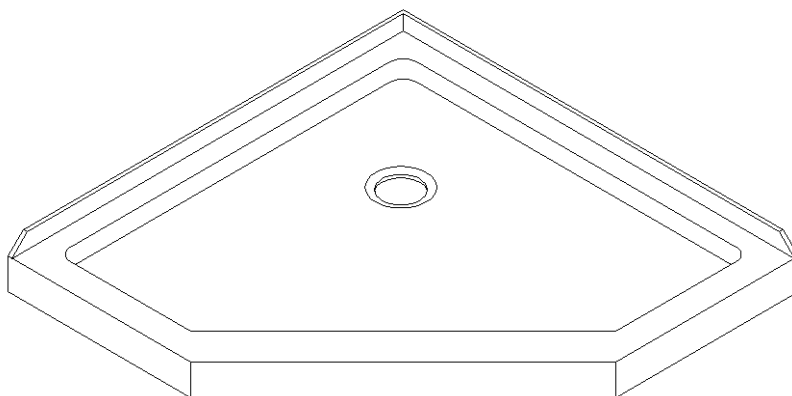
SINGLE THRESHOLD SHOWER BASE

Right-Hand Drain Configuration



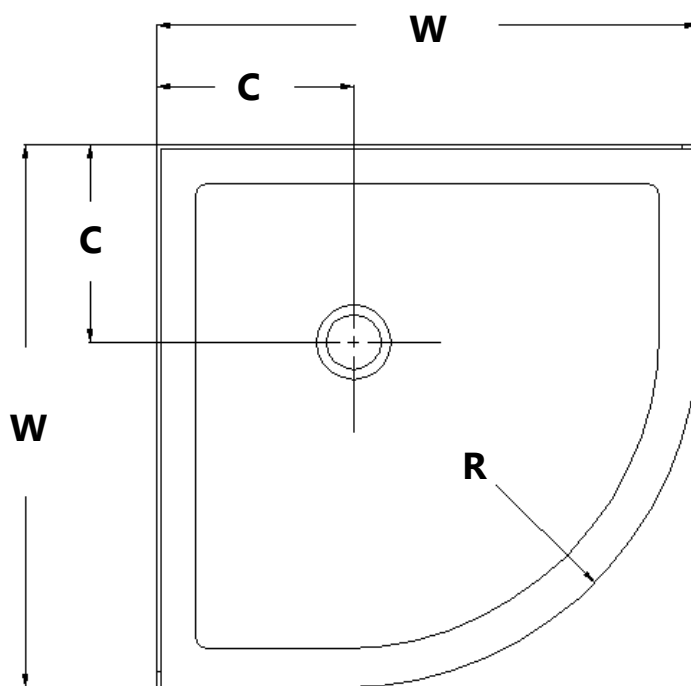
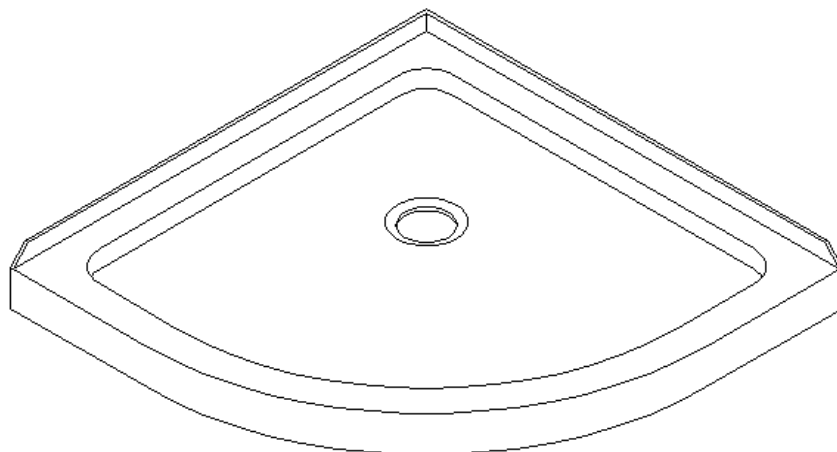
MODEL	SPECIFICATION	D (in)	W (in)	D1 (in)	W1 (in)
DLT-1130602	30"×60"	30"	60"	15"	12"
DLT-1132602	32"×60"	32"	60"	15"	12"
DLT-1134602	34"×60"	34"	60"	17"	12"
DLT-1136602	36"×60"	36"	60"	18"	12"

NEO ANGLE SHOWER BASE



MODEL	SPECIFICATION	W (in)	A (in)	B (in)	C (in)
DLT-2036360	36"×36"	36"	18 5/16"	25"	12"
DLT-2038380	38"×38"	38"	20 5/16"	25"	12"
DLT-2040400	40"×40"	40"	22 5/16"	25"	14 3/8"
DLT-2042420	42"×42"	42"	24 5/16"	25"	14 3/8"

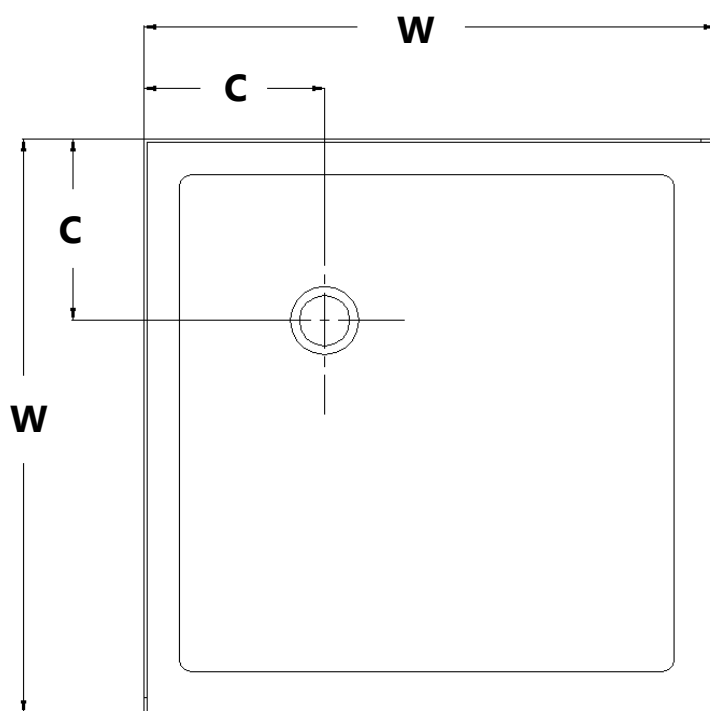
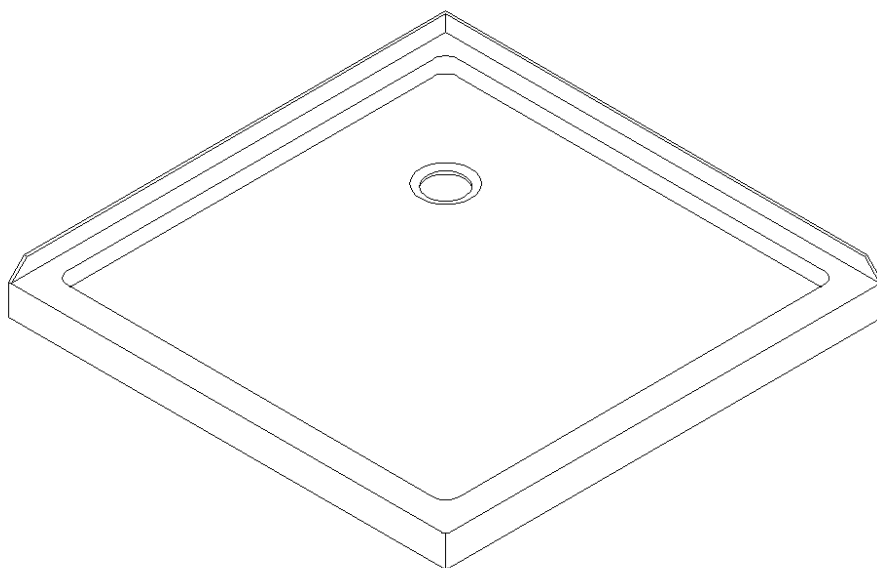
QUARTER ROUND SHOWER BASE



MODEL	SPECIFICATION	W (in)	C (in)	R (in)
DLT-7033330	33"×33"	33"	12"	21 5/8"
DLT-7036360	36"×36"	36"	12"	21 5/8"
DLT-7038380	38"×38"	38"	12"	21 5/8"

DOUBLE THRESHOLD SHOWER BASE

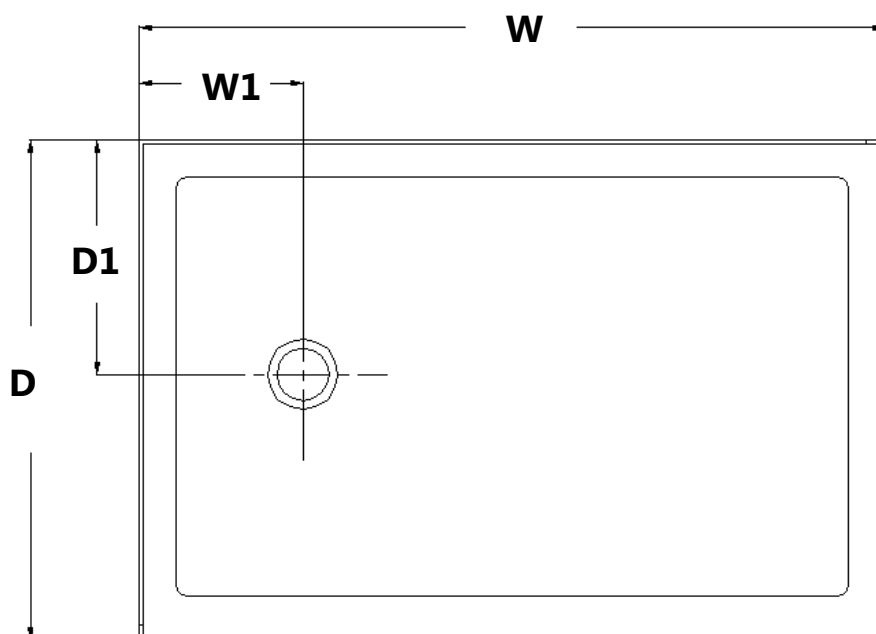
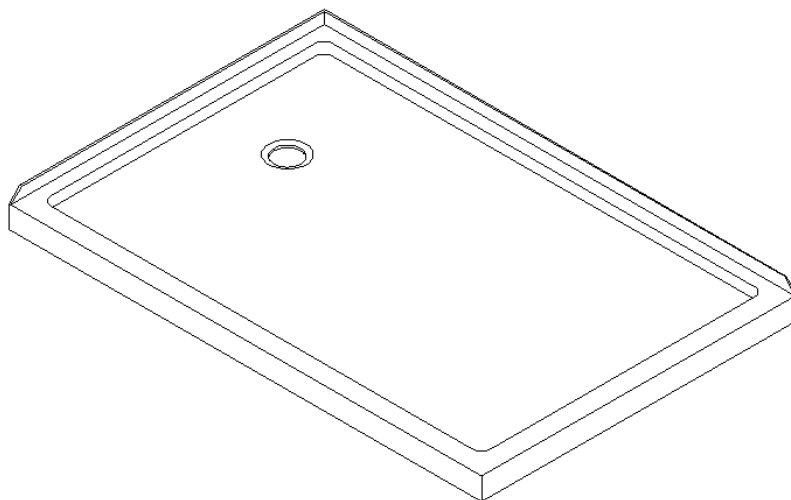
Corner Drain Configuration



MODEL	SPECIFICATION	W (in)	C (in)
DLT-1032320	32"×32"	32"	12"
DLT-1036360	36"×36"	36"	12"

DOUBLE THRESHOLD SHOWER BASE

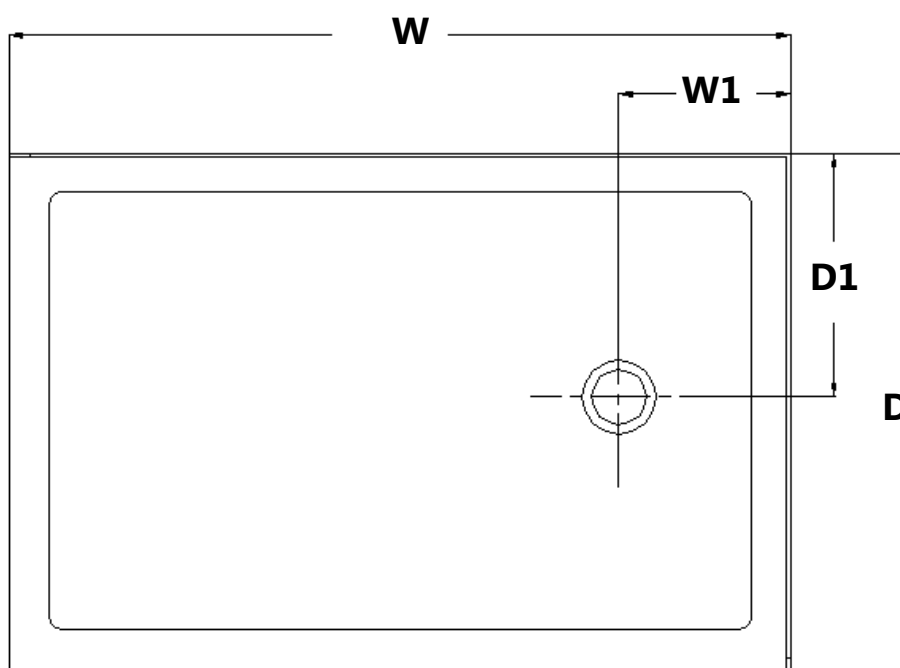
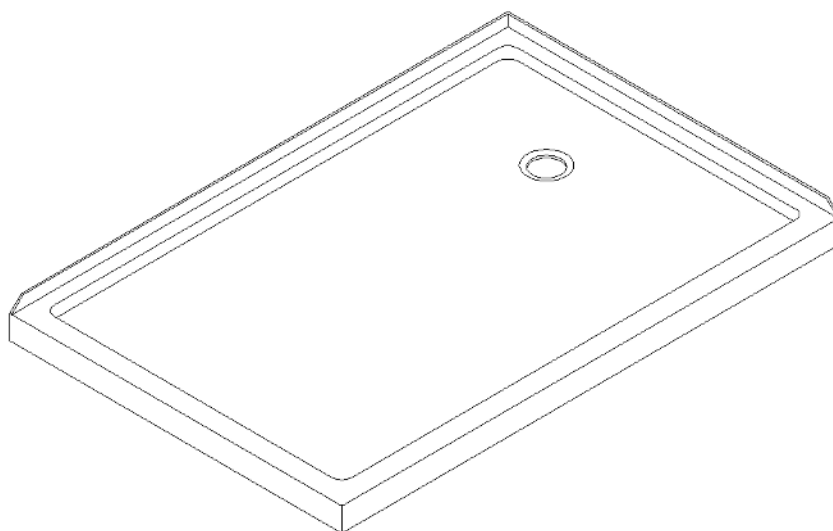
Left-Hand Drain Configuration



MODEL	SPECIFICATION	D (in)	W (in)	D1 (in)	W1 (in)
DLT-1034481	34"×48"	34"	48"	17"	12"
DLT-1036481	36"×48"	36"	48"	18"	12"
DLT-1036541	36"×54"	36"	54"	18"	12"
DLT-1036601	36"×60"	36"	60"	18"	12"

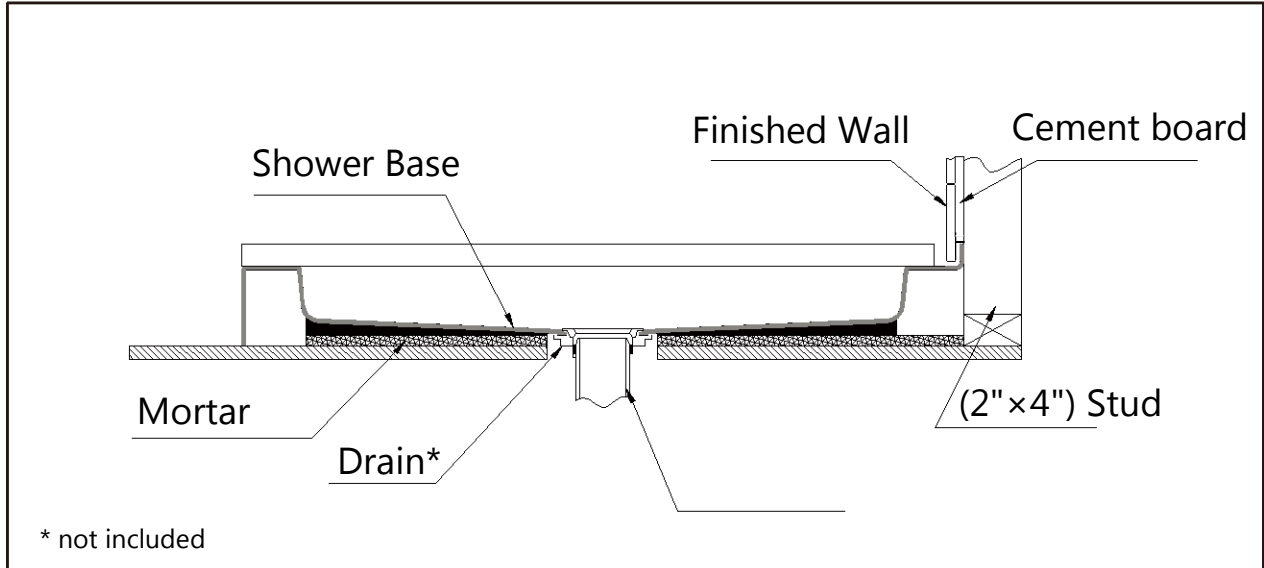
DOUBLE THRESHOLD SHOWER BASE

Right-Hand Drain Configuration



MODEL	SPECIFICATION	D (in)	W (in)	D1 (in)	W1 (in)
DLT-1034482	34"×48"	34"	48"	17"	12"
DLT-1036482	36"×48"	36"	48"	18"	12"
DLT-1036542	36"×54"	36"	54"	18"	12"
DLT-1036602	36"×60"	36"	60"	18"	12"

Shower Base Cross Section Diagram



Shower Base Installation - Preparation

1. Ensure that the floor and the studs are at right angles.
Provide a 5"×5" opening in the sub-floor for the drain.
The 2" PVC waste pipe should extend above the surface of the sub-floor according to the drain installation instructions and the height of the Shower base.
Refer to the product drawings and tables in this installation manual for the drain location.

See Fig. 1 and Fig. 2 for details.

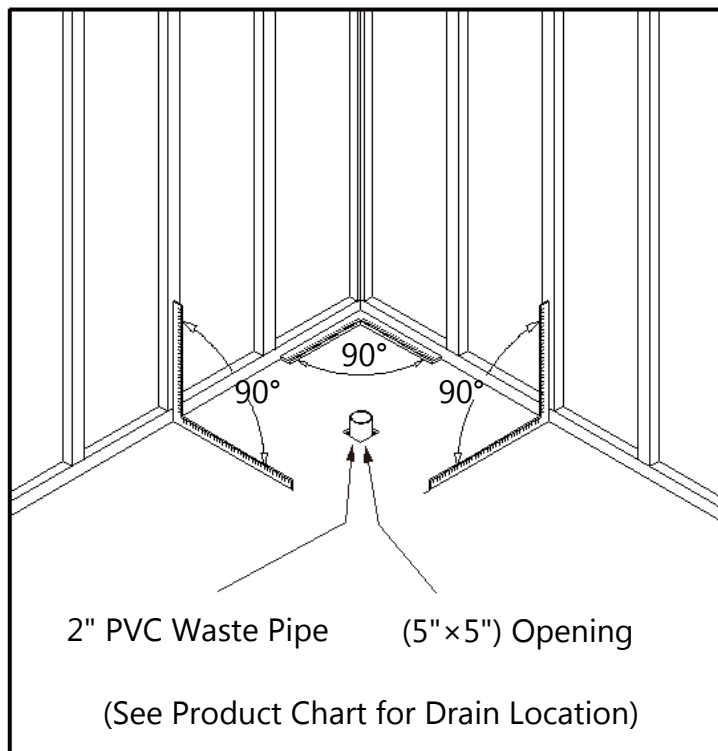


Fig. 1

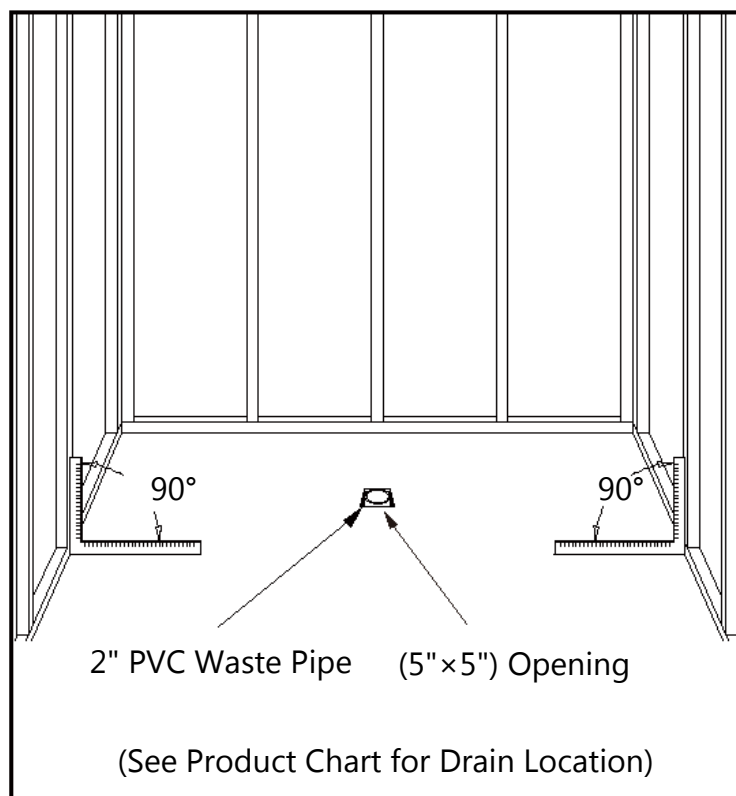


Fig. 2

2. Install the shower drain (**NOT INCLUDED**) according to the drain installation manual (supplied with the drain).

See Fig. 3 for example

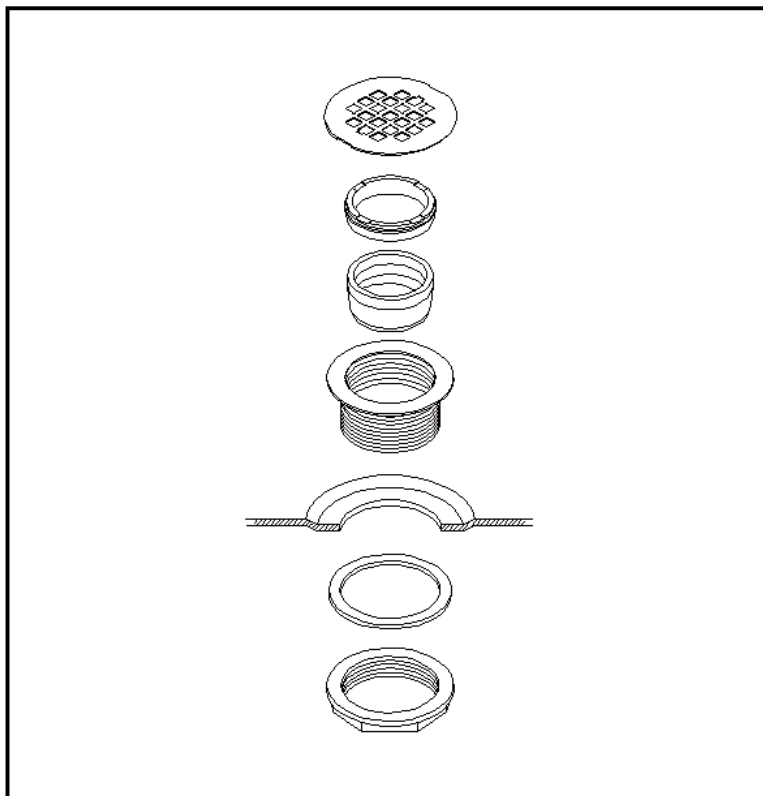
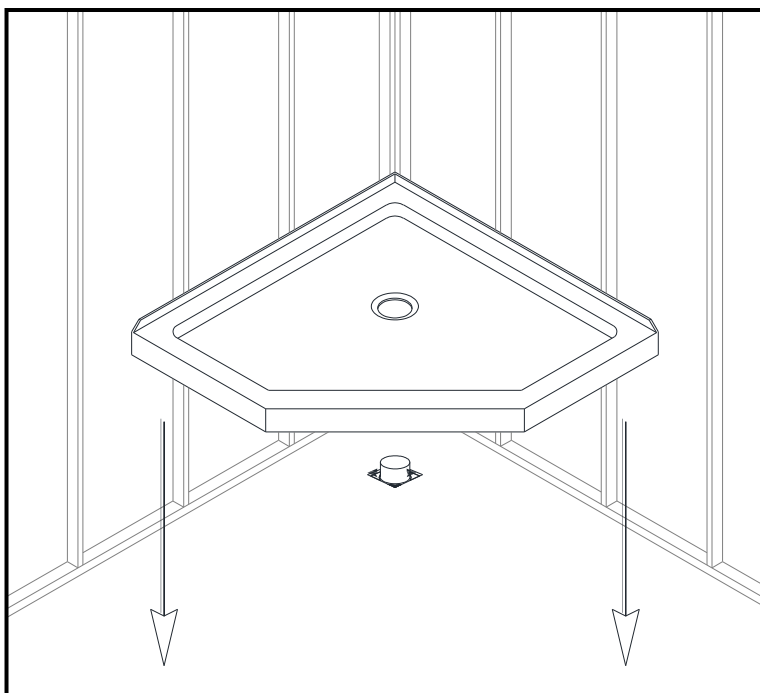


Fig. 3

3. Place the tray into the designated position so that the Drain cutout drops around the Drain Pipe and butt the Shower Base up against the studs.

See Fig. 4 for details.



Lower the base over the drain pipe and set it into place against the studs.

Fig. 4

4. Level the tray and place marks on the studs above the upper edge of the tile flange.

See Fig. 5 for details.

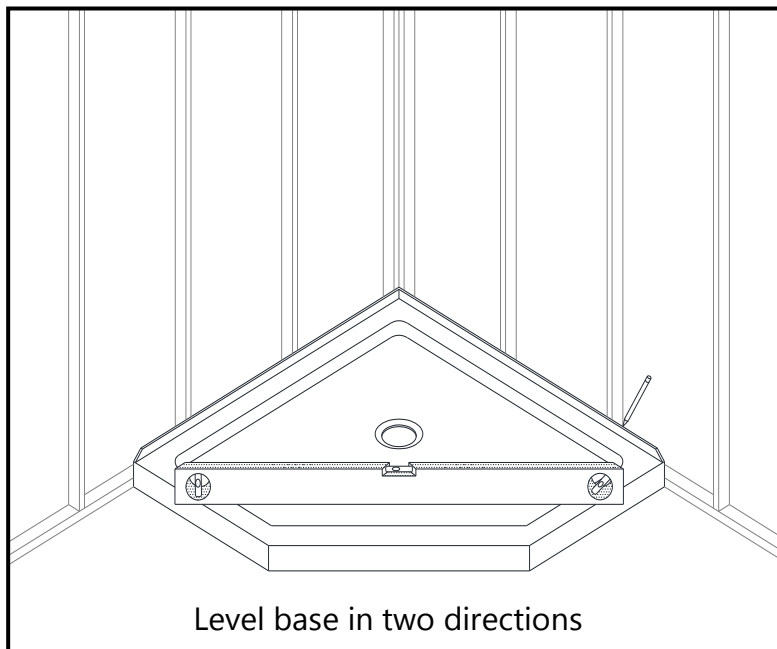


Fig. 5

5. Mix the bedding material (Mortar, cement-sand mix, etc.) **Concrete or plaster is not recommended.** Apply enough bedding material to support the entire bottom of the shower base. This will add additional stability and prevent the base from shifting position.

See Fig. 6 for details.

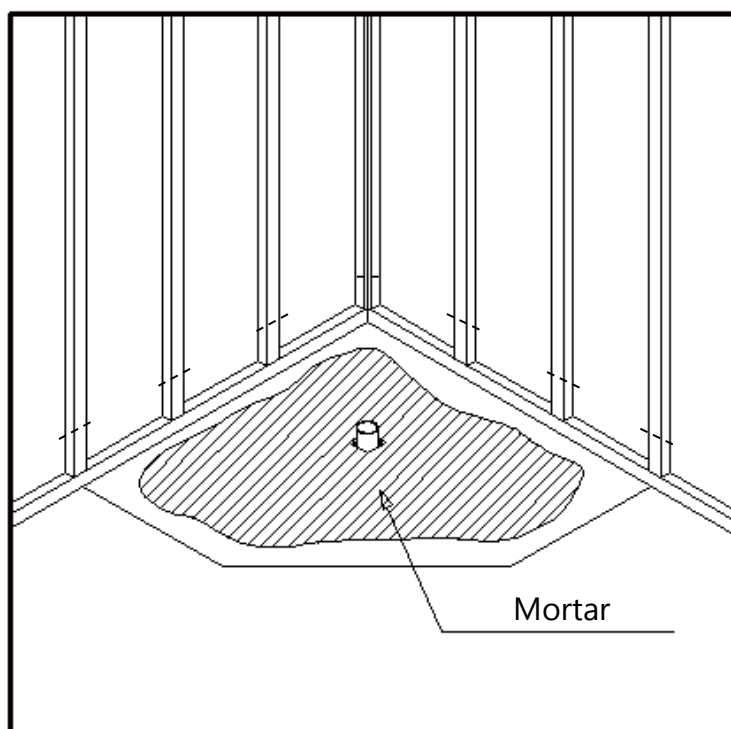


Fig. 6

6. After the bedding material has been poured and *before* it sets, place the shower base into the position with the drain assembly sliding over the PVC waste pipe. It will be necessary to push the shower base until the top of the tile flange aligns with the marks drawn on the studs and the front edge is contacting the rough floor along the entire length of the shower base. Ensure that the base is level in all directions. You may need to use shims to hold the tray level until the bedding fully sets. Remove all excess mortar.

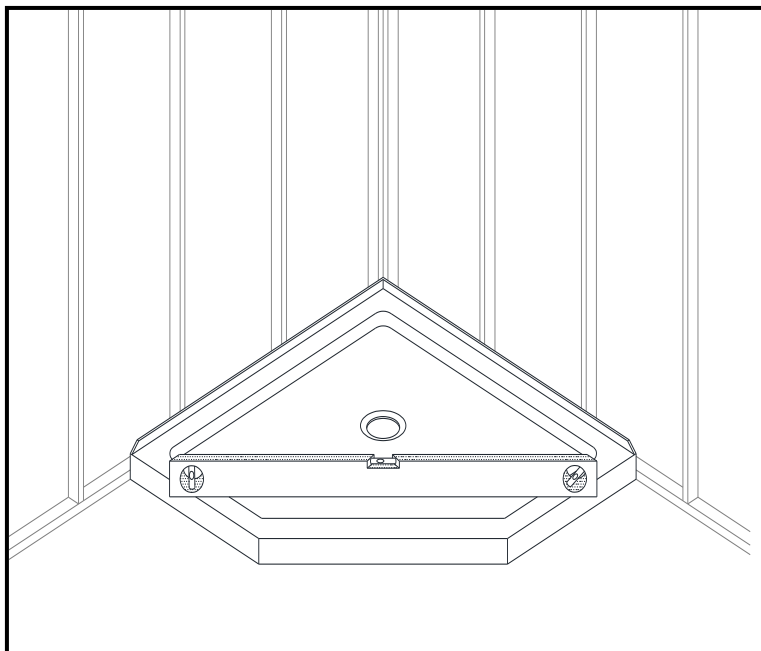


Fig. 7

7. Allow the bedding material to completely harden before applying weight to the bottom of the shower base.

Install the cement board (or the wallboard) above the tile flanges and secure it to the studs. Put the tiles (or other finishing wall material) over the cement board leaving 1/8" gap between the bottom of the tile or wall kit and the shower base. Use caulk to fill the gap.

See Fig. 8 and Fig. 9 for details.

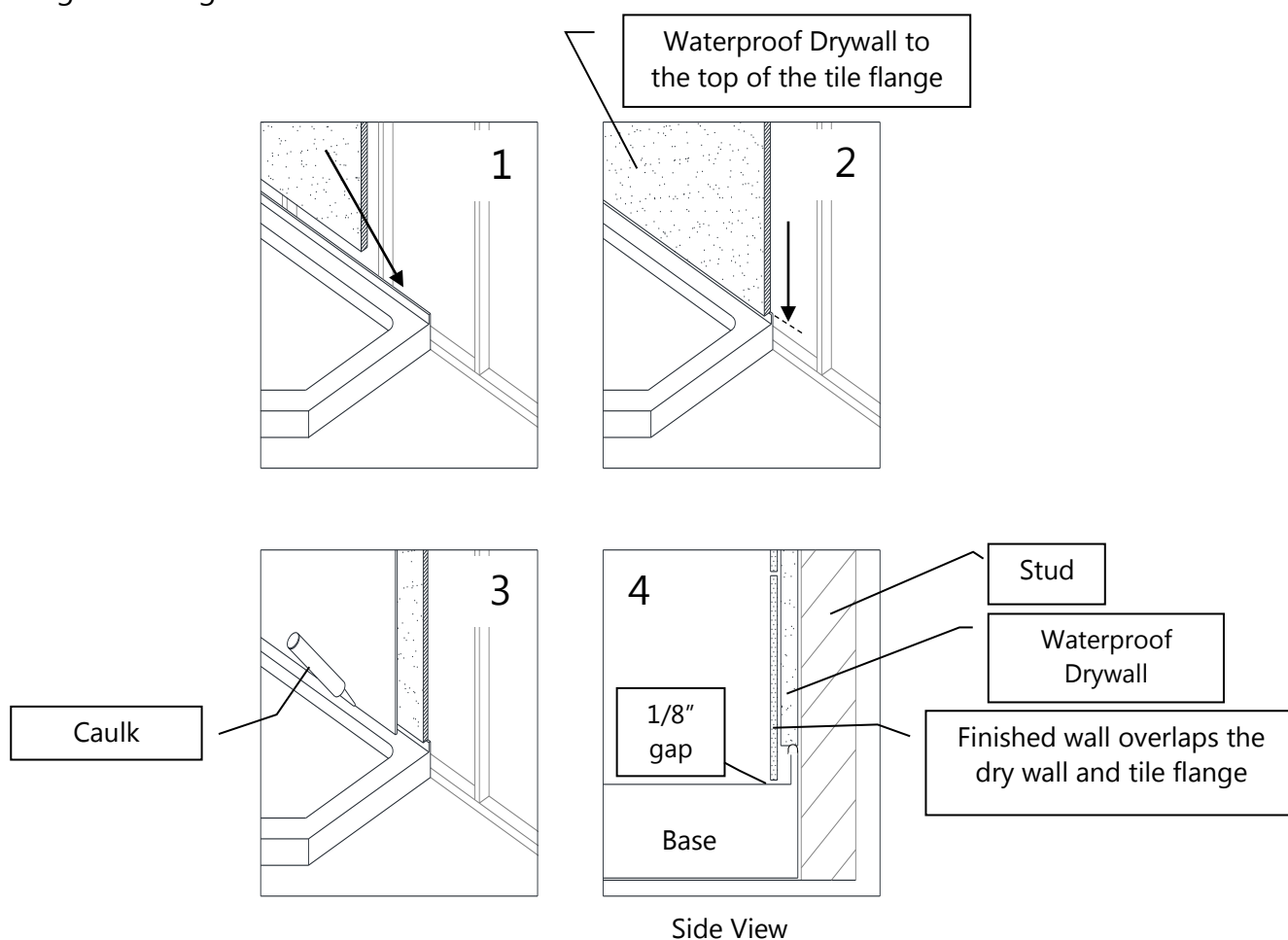


Fig. 8

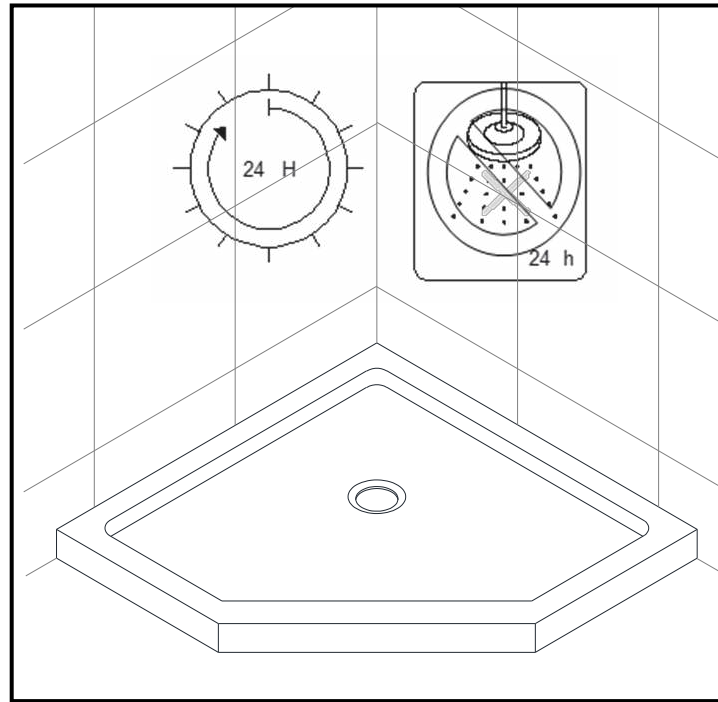


Fig. 9

Product Maintenance

BASES and BACKWALLS: To ensure long lasting life for your acrylic base and/or back walls: wipe them off after each use with a soft cloth. To clean the acrylic base or back walls use non-abrasive sprays or cream based cleaners. Avoid the use of aerosol spray cleaners. Never use abrasive cleansers, metal brushes or scrapers that could scratch or dull the surface.

GLASS: To ensure long lasting life for your glass shower products: wipe them off after each use with a soft cloth. Rinse and wipe off the glass using either a soft cloth or a squeegee to prevent soap buildup and water spots (Hard water can etch the surface of the glass over time if left to dry). To prevent scratching the surface: never use abrasive cleaners or cleaning products that contain scouring agents. Never use bristle brushes or abrasive sponges that may scratch the surface.

HARDWARE: To ensure a long lasting finish: wipe off the metal parts after each use with a soft cloth. Do not use abrasive cleaners or cleaning products containing ammonia, bleach or acid. If accidentally used, rinse the surface as soon as possible to prevent damage to the finish (peeling or corrosion). After cleaning the polished finishes, rinse thoroughly and wipe dry with a soft cloth.

Clean stainless steel surfaces at least once a week. When applying stainless steel cleaner or polish to stainless steel hardware, work with (not across) the grain. Never use an abrasive sponge or cloth, steel wool or wired brush as these may permanently scratch the surfaces.

NOTE: To maximize the life of your door, it is important to regularly inspect the glass and other hardware for misalignment, proper attachment, and/or damage. Contact DreamLine with any questions or concerns.



TEL: [866-731-2244](tel:866-731-2244)

FAX: [866-857-3638](tel:866-857-3638)

DREAMLINE.COM

For more information on [DreamLine® Shower Doors](http://DreamLine.com) and [Enclosures](#) please visit DreamLine.com

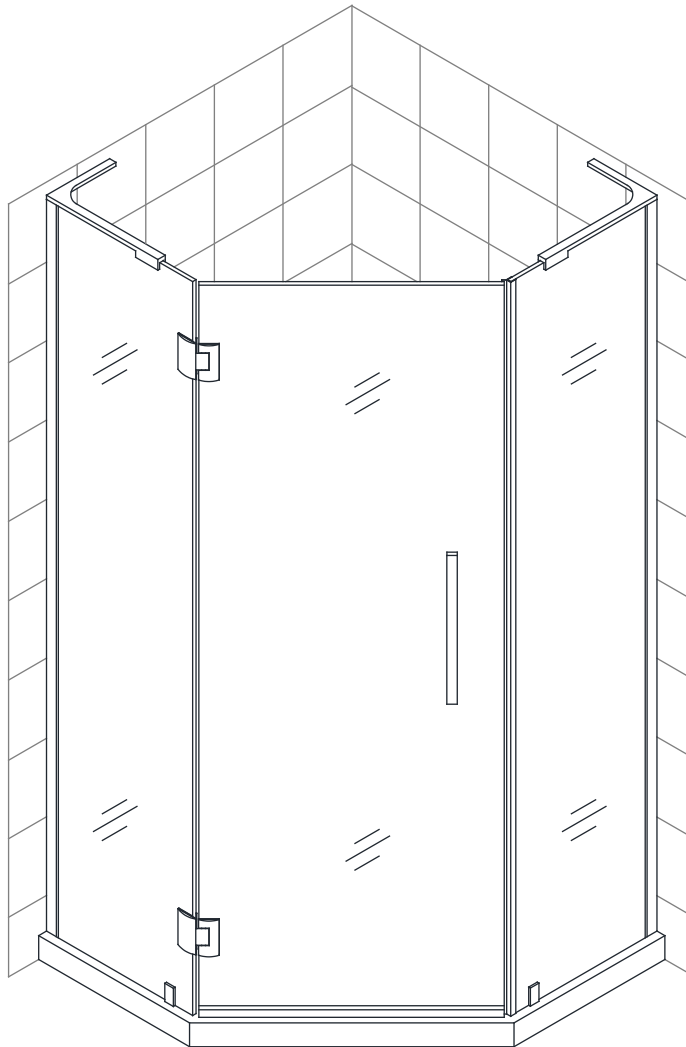


PRISM PLUS

SHOWER ENCLOSURE INSTALLATION INSTRUCTIONS

IMPORTANT

DreamLine® reserves the right to alter, modify or redesign products at any time without prior notice. For the latest up-to-date technical drawings, manuals, warranty information or additional details please refer to your model's web page on **DreamLine.com**



Left-swing installation shown

MODEL #s

- SHEN-2634340-##
- SHEN-2636360-##
- SHEN-2638380-##
- SHEN-2640400-##

##=finish

- 01- Chrome
- 04- Brushed Nickel
- 06- Oil Rubbed Bronze
- 09- Satin Black



Questions?

Please Call **DreamLine Customer Support: 1-855-831-2126**
Hours of Operation M-F 8AM - 7PM EST and Saturday 9AM - 5PM EST

Support@DreamLine.com



For more information about DreamLine® Shower Doors & Tub Doors please visit **DreamLine.com**



This model is treated with DreamLine's exclusive ClearMax™ Glass technology. This is a specially formulated coating that prevents the build up of soap and water spots.

Install the surface with the ClearMax™ label towards the inside of the shower. Please note that depending on the model, the glass may be coated on either one or both surfaces.

For best results, squeegee the glass after each use and dry with a soft cloth.

Preparation

1. Prior to installation, examine all boxes and packages for shipping damage and compare the piece count with your packing slip. After opening all boxes and packages read this introduction carefully. Check that all of the needed parts are included in the package by checking off the components on the "Detailed Diagram of Shower Door Components". If the unit has been damaged, has a finishing defect, or has missing parts, please contact our customer support department within **3 business days** of the delivery date. **Please note that DreamLine® will not replace any damaged products or missing parts free of charge after 3 business days or if the product has been installed.** Feel free to contact DreamLine® if you have any questions, and please provide an order number, job name or other proof of purchase to help us identify your original order.

2. **Please note that you should consult your local building codes with questions on installation compliance standards. Building and plumbing codes may vary by location, and DreamLine® is not responsible for code compliance standards for your project and will not accept any returns.**

3. If this unit is going to be installed in a new construction, please install all of the required plumbing and drainage before installing the shower. Use a competent and licensed (if required by local code) plumber for all plumbing installation

4. Please make sure that prior to beginning the installation, the surfaces are leveled and solid and will be able to support the total weight of the unit. Also make sure the walls are at right angles. Irregular installation surface level, radius corners or improper angle of side walls will result in serious problems for your installation. Please, note that some adjustments and drilling might be necessary during the installation process.

5. Please protect all primary surfaces of the product during installation. Never set your glass down directly onto a tile floor. Leave corner protectors in place until necessary to remove them. Always use a piece of wood or cardboard to protect the bottom edge and corners of the glass prior to and during installation.

6. This unit must be installed upon a finished threshold and against finished walls.

7. This model has **1/4"** of adjustment for out-of-plumb wall conditions within the u-channels. Verify that your walls are plumb before proceeding with the installation.

8. **This model requires that you drill into the threshold for proper installation.**

9. **This model requires a minimum 1-1/2" of flat threshold space for installation.**

10. **Professional installation recommended.**



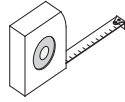
NOTE: DO NOT install the handle onto the door glass until instructed to do so. DO NOT lift the glass using the handle. This could result in damage to the glass and/or serious personal injury. Always use an assistant or a professional grade glass suction cup when handling heavy glass.

NOTE: This door is reversible for left or right-swing door installation. The left-swing door installation is shown as an example throughout this manual. For the right-swing door installation, simply begin on the opposite wall and reverse the orientation of the steps shown.

Tools



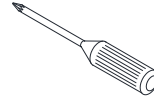
Level



Tape Measure



Pencil



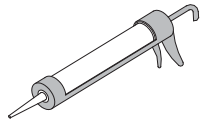
Phillips Screwdriver



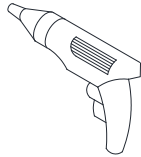
Drill bit (Ø=5/16")



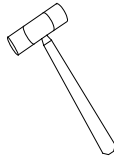
Drill bit (Ø=1/8")



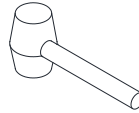
Silicone



Power Drill



Soft Head Hammer



Mallet



Wood

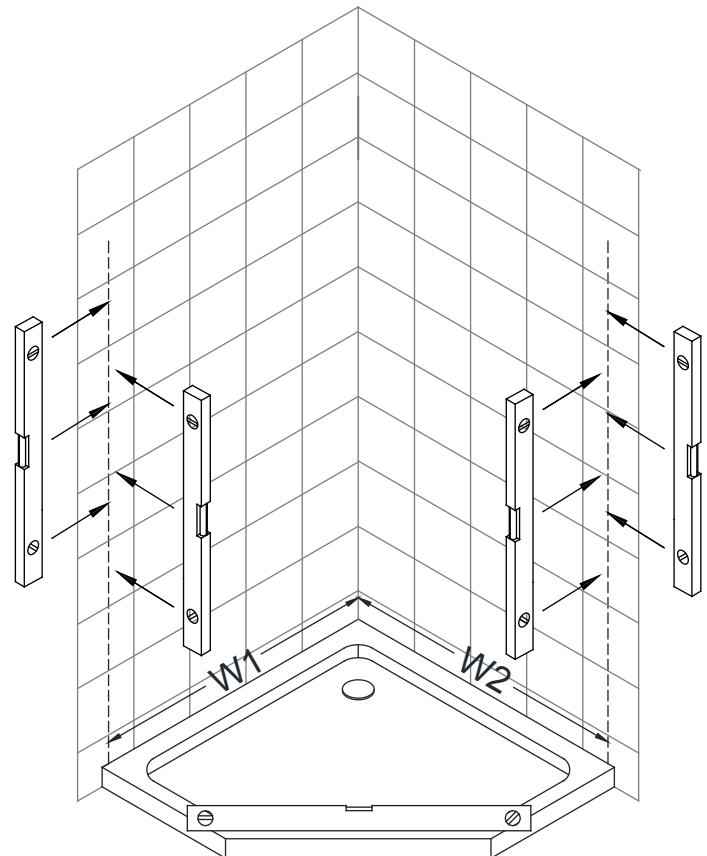


13/16" shim

Tip: Measure the finished opening before proceeding with the installation to be sure that the correct model size has been ordered.

W1 and W2 dimensions are measured from the finished corner of the walls to the outside edge of the wall profiles.

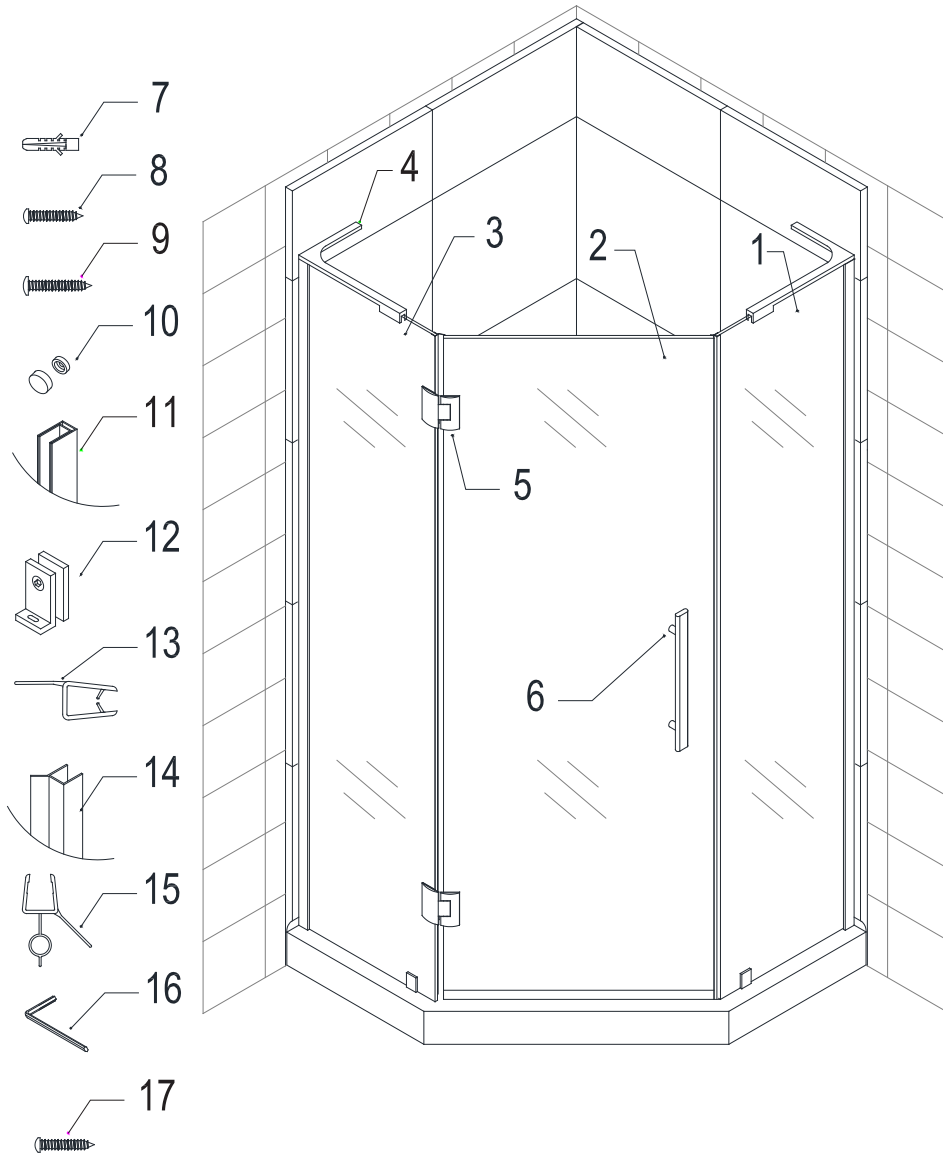
Glass Box Code	W1	W2
SHEN-GLP2601-343410	34"	34"
SHEN-GLP2601-363610	36"	36"
SHEN-GLP2601-383810	38"	38"
SHEN-GLP2601-404010	40"	40"



NOTE: Unpack your unit carefully and inspect it. Lay it out and identify all parts using the detailed diagram and packing list in this manual as a reference. Before discarding the carton, check for small hardware bags that may have fallen to the bottom of the box. If any parts are damaged or missing, please contact DreamLine® for replacement. The shipping boxes may contain extra parts not used in your model configuration.

NOTE: Retain these installation instructions for future reference.

Detailed Diagram of shower door components



**The glass surface
with the ClearMax™
label must be
installed to face
inside of the shower**

Parts List

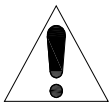
#	ITEM	QTY	#	ITEM	QTY
1	Stationary Glass 1	1pc	10	Decorative Cover and washers	2sets
2	Door Glass	1pc	11	Stainless Steel U-channel	2pcs
3	Stationary Glass 2 (hinge panel)	1pc	12	Bottom Bracket	2pcs
4	L- shape brackets (Left & Right)	1set	13	Anti-water side strip (hinge side) -3 pcs	1set
5	130° Adjustable Hinge	2pcs	14	Anti-water side strip (strike vinyl seal)	1pc
6	Handle	1pc	15	Anti-water bottom strip (sweep vinyl)	1pc
7	Φ8 (5/16'') Wall Anchor	14pcs	16	3mm/4mm Hex Key	1 each
8	Round Head Screw ST4.2x25	2pcs	17	Round Head Screw ST4.2x40	8pcs
9	Truss Head Screw ST4.2x40	4pcs			

Installation steps

1. Starting from the bottom, measure from the finished corner of the opening to the outside of the **Stainless Steel U-channels (#11)** and draw a plumb line up the wall according to the **Glass Box Code** for the Shower Enclosure model size. See **Table 1** below.

Table 1

Glass Box Code	W1	W2
SHEN-GLP2601-343410	34"	34"
SHEN-GLP2601-363610	36"	36"
SHEN-GLP2601-383810	38"	38"
SHEN-GLP2601-404010	40"	40"



NOTE: The **Stainless Steel U-channels (#11)** must be installed at the correct dimensions for the model size indicated in **Table 1**.

2. Make sure the **Stainless Steel U-channels (#11)** are absolutely vertical. Mark the position of the **Stainless Steel U-channels (#11)** on the walls.

See **Fig 2** for details

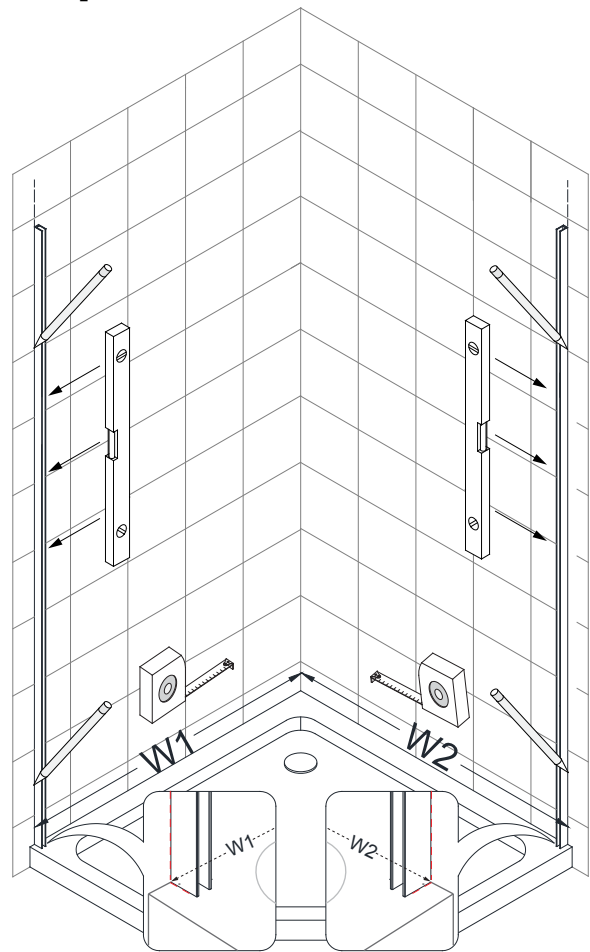


Fig 1

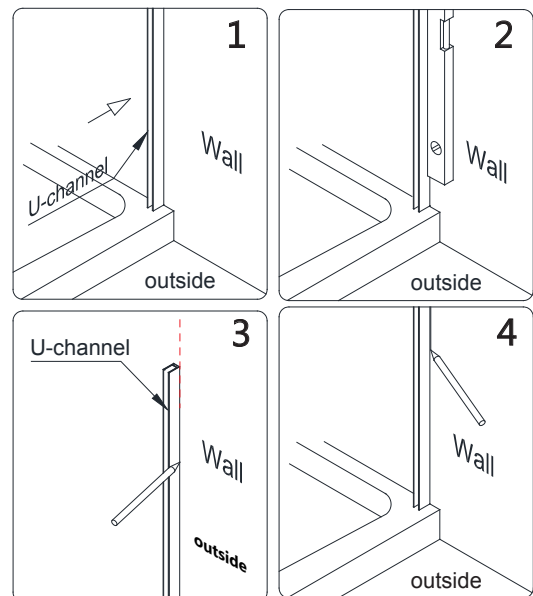


Fig 2

3. Mark the drilling holes on the wall through the predrilled holes in the **Stainless Steel U-channels (#11)** .

Drill the holes in the wall using $\text{Ø } 5/16''$ (8mm) drill bit and insert the **Wall anchors (#07)**.

Run a bead of Waterproof silicone along the back of the **Stainless Steel U-channels (#11)** .

Fasten the **Stainless Steel U-channels (#11)** to the wall using the **Round head screw ST4.2×40 (#17)**.

See Fig 3 for details

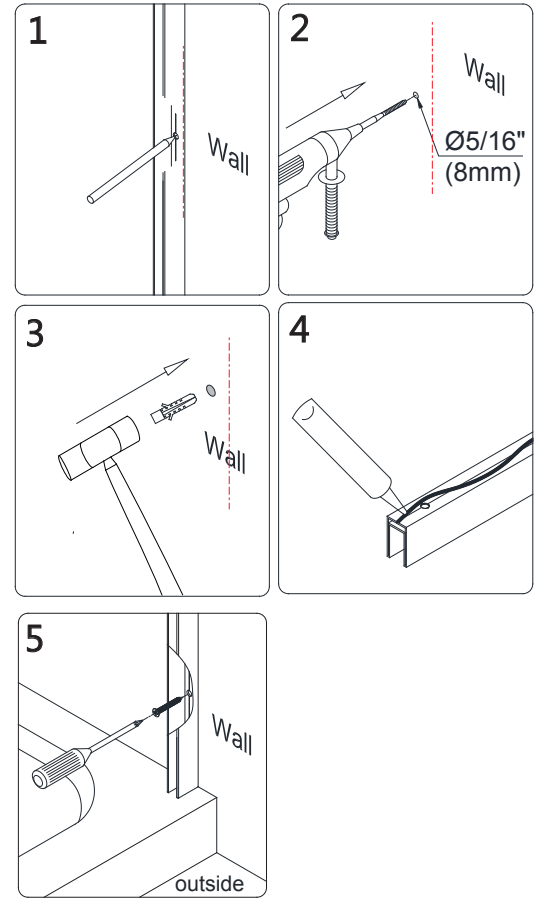


Fig 3

4. Install both of the **Bottom Brackets (#12)** onto the panel **glass (#01)** & **(#03)**. Use the included gaskets to protect the glass.

See Fig 4 for details

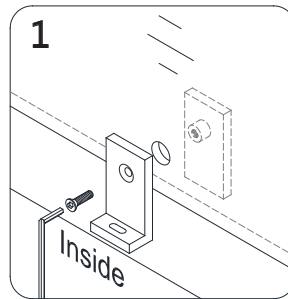


Fig 4

5. Set the **Stationary Glass 2 (hinge panel) (#03)** onto the threshold and into the **Stainless Steel U-channel (#11)**.

See Fig 5 for details

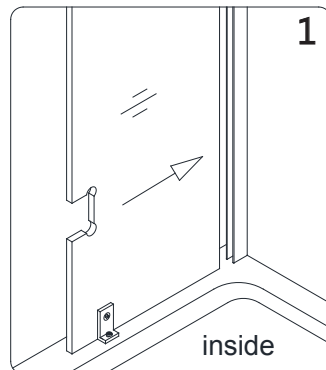
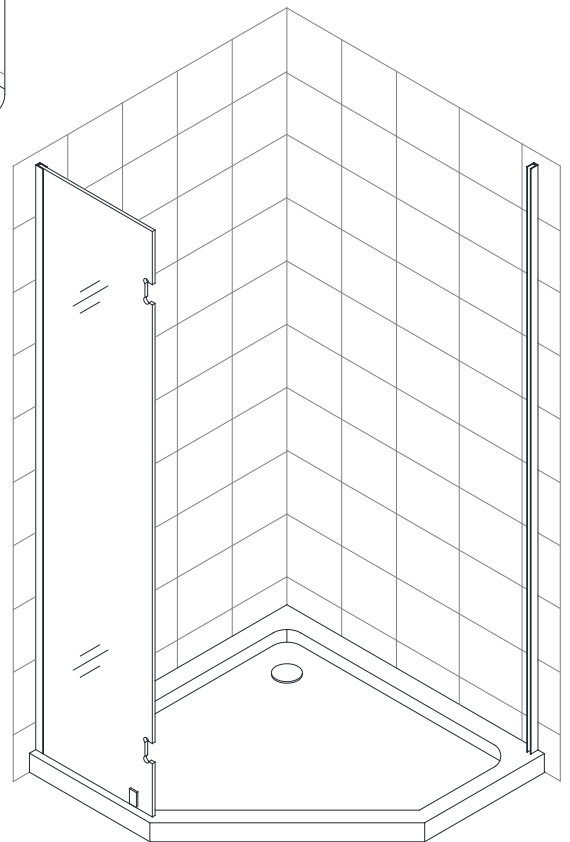


Fig 5



Left-swing door installation shown for example

6. Set the **Stationary Glass 1 (#01)** onto the threshold and into the **Stainless Steel U-channel (#11)**.

See Fig 6 for details

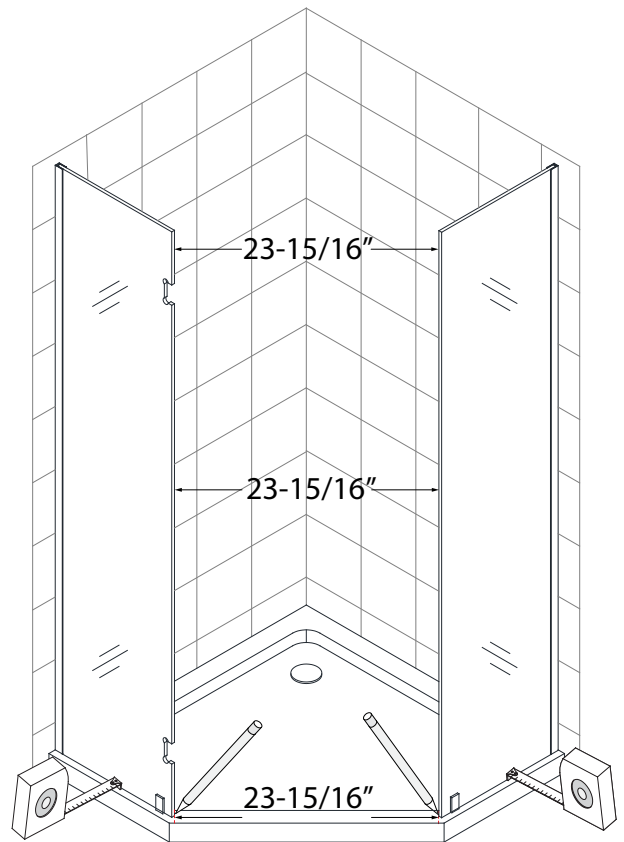


Fig 6

7. Measure the distance on the threshold between the **Stationary Glass 1 (#01)** and **Stationary Glass 2 (hinge panel) (#03)**.

Adjust the panel glass so that it is parallel to the outside of the threshold.

Measure the area where the door glass will be installed.

This distance needs to be **23-15/16"**.

Mark the position of the glass on the threshold as shown.

See Fig 7 for details

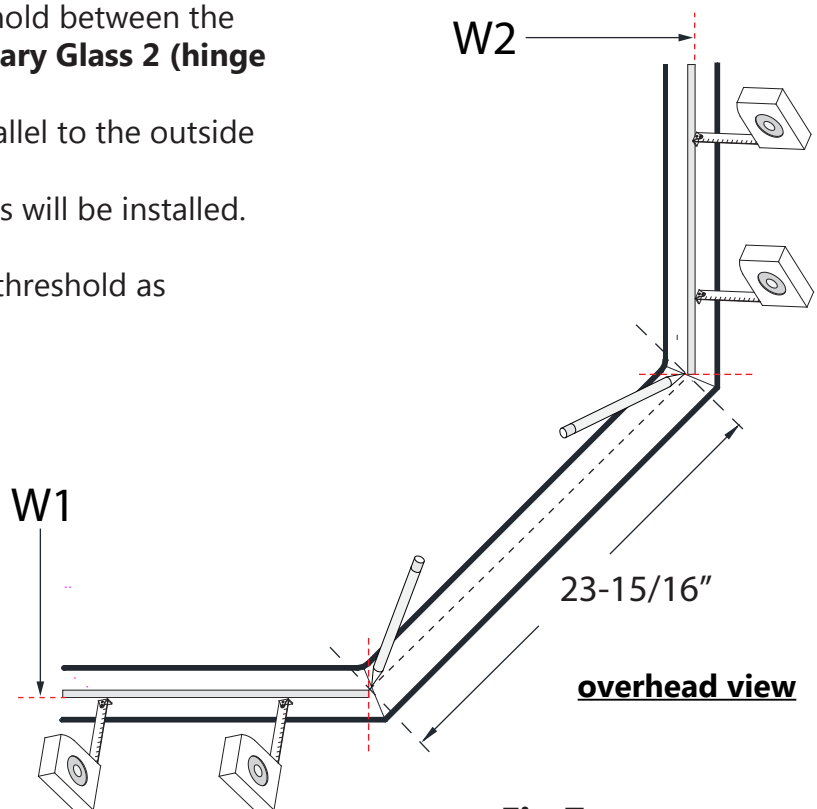


Fig 7

8. With both of the **Bottom Brackets (#12)** installed onto the **Panel glass (#01) & (#03)**, mark the holes for drilling onto the threshold. (Be sure that the end of the panel glass aligns with the marks on the threshold from step #6 to maintain proper spacing for the door at 23-15/16"). Remove the panel glass and drill the holes* into the threshold for the bottom brackets.

•For installation into an acrylic threshold: *drill $\text{Ø}1/8''$ holes

•For installation into a tile threshold: *drill $\text{Ø}5/16''$ holes and insert anchors

See Fig 8 for details

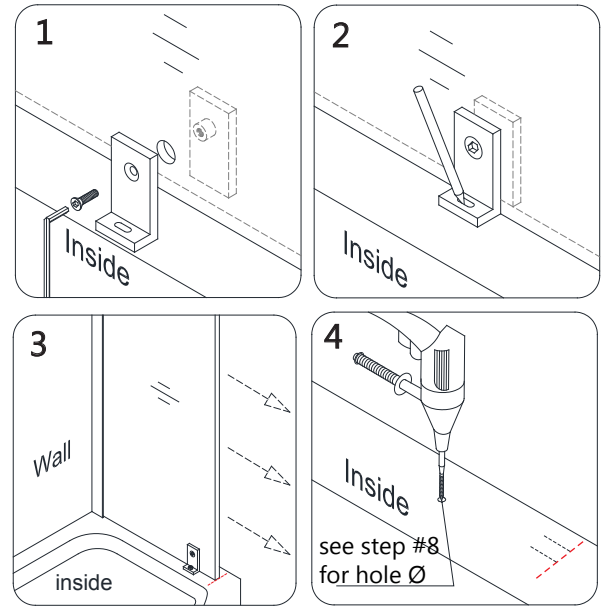


Fig 8

9. Add silicone into the installed **Stainless Steel U-channels (#11)**.

Slide the panel glass into the U-channel. Tap with a rubber mallet and a block of wood if necessary. Install the **Bottom Brackets (#12)** onto the threshold using the **ST4.2 x 25 Round Head screws (#08)** with **washers** and **decorative covers (#10)**.

See Fig 9 for details

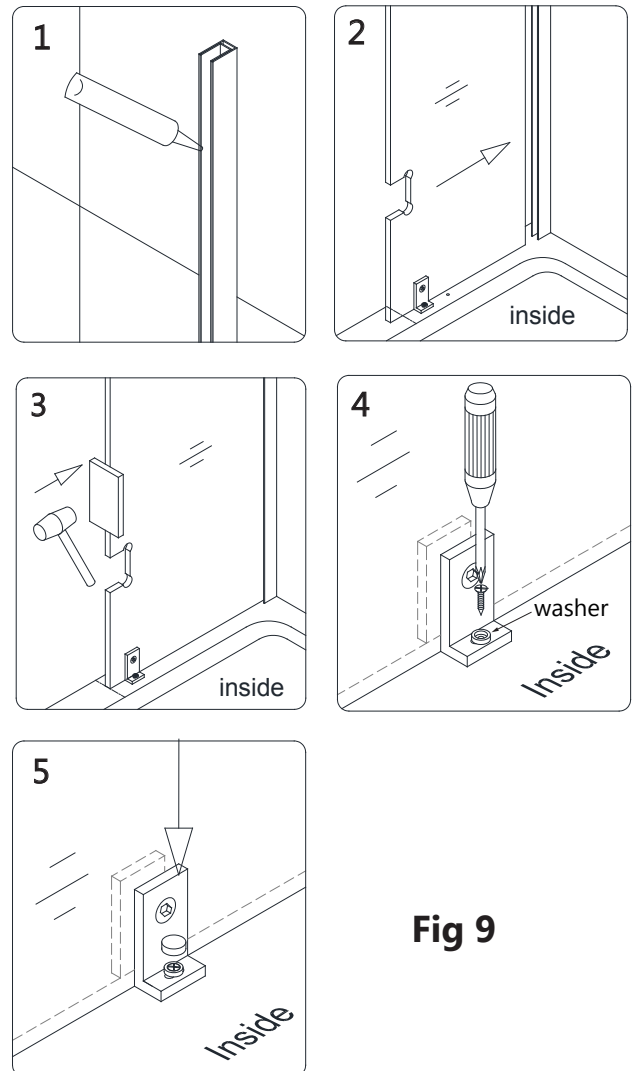
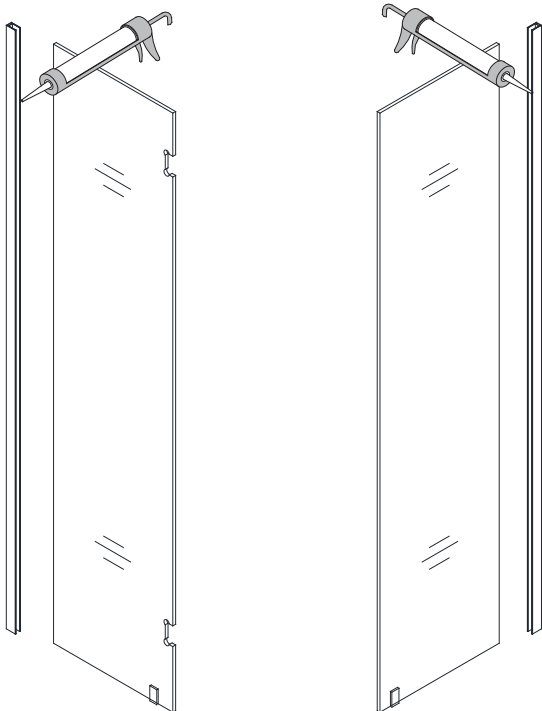
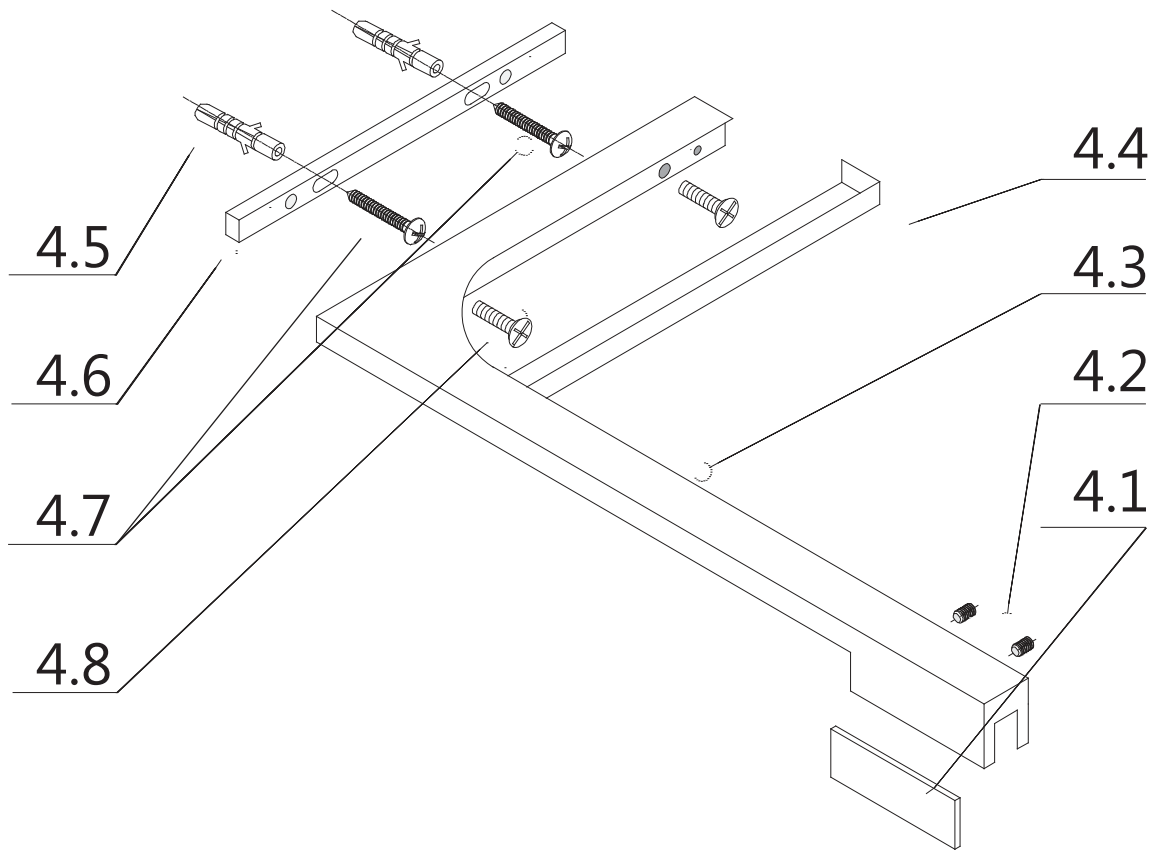


Fig 9

L-Shape Bracket Parts Diagram



Parts List

4.1	Rubber pad	1pc
4.2	M5 rubber tip set screw	2pcs
4.3	L-Bracket	1pc
4.4	Decorative cover	1pc
4.5	Wall Anchor	6pcs
4.6	Wall Plate	1pc
4.7	ST4.2x40 Screw	6pcs
4.8	M5x14 Screw	2pcs

10. Position the **L-bracket assembly (#04)** onto the **Stationary Glass (#01)** as shown and mark the position on the wall.

Remove the **Wall Plate (#4.6)** and mark the holes for drilling. Drill **Ø5/16" (8mm) holes** and insert the wall anchors.

Attach the **Wall Plate (#4.6)** using **ST4.2 x 40 (#4.7)** screws.

Re-attach the **L-Bracket (#4.3)** to the **Wall Plate (#4.6)** and adjust the angle if necessary using the set screws (**Fig 10.7& 10.8**).

Adjust the **Stationary Glass (#01)** to plumb and tighten the screws.

Attach the **Decorative Cover (#4.4)**.

Secure the **L-Bracket (#05)** to the top of the **Stationary Glass (#01)** using the clear gasket and rubber tipped set screws.

Do not over tighten the set screws

See Fig 10, 11 & 12 for details

Left hand bracket installation

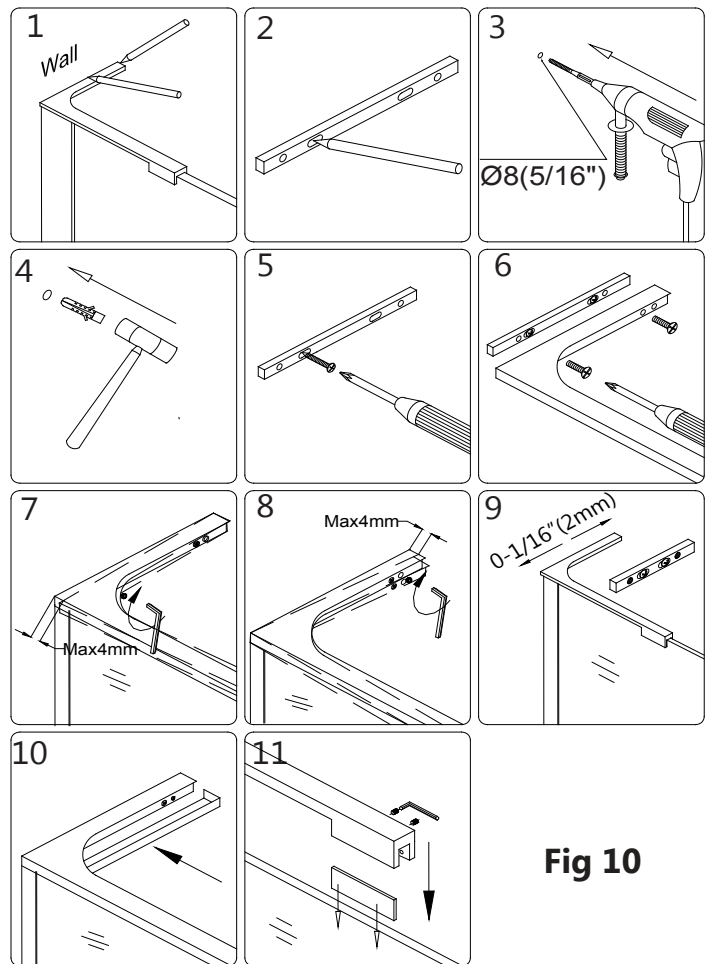
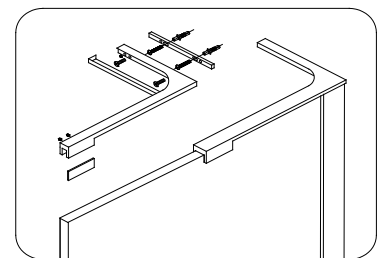
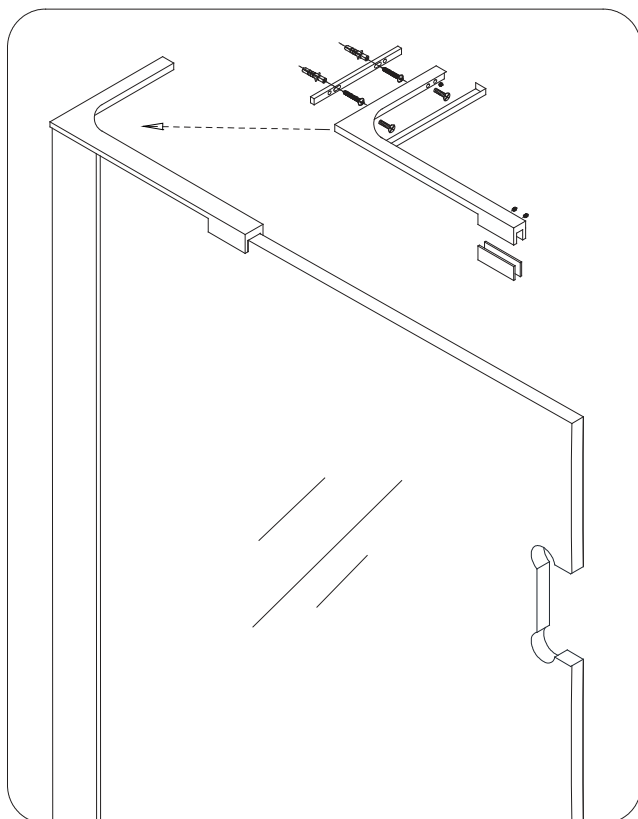


Fig 10

NOTE: The left hand L-bracket installation is shown. Follow the same steps to install the right-hand L-bracket.



Right hand L-bracket



Left hand L-Bracket installation shown

Fig 11

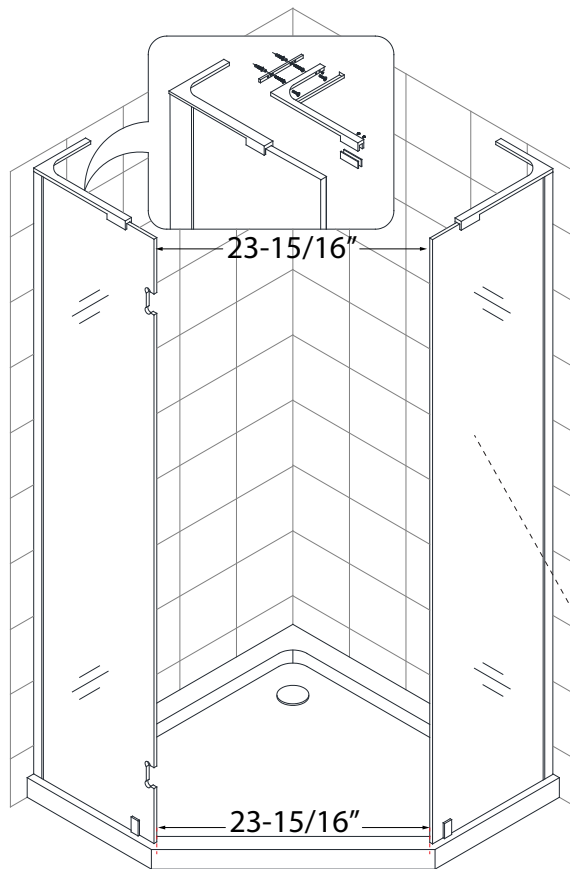
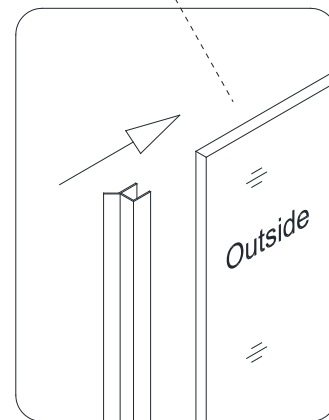
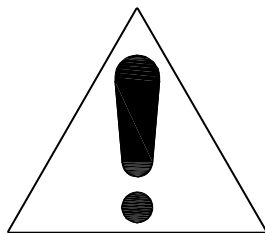


Fig 12

TIP: Before installing the **Door glass (#02)**, attach the **Anti-water side strip (#14) (Strike vinyl seal)** to the edge of the **Stationary Glass 1 (#01)** to protect the edge of the glass during installation of the **Door Glass (#02)**.



Stationary Glass 1 (#01)



NOTE:

DO NOT install the Handle onto the glass until instructed.

DO NOT lift the glass using the Handle.

This could result in damage to the glass and /or serious personal injury.

Always use an assistant or a professional grade glass suction cup when handling heavy glass.

11. Attach the **Hinges (#05)** to the **Stationary glass 2 (hinge panel) (#03)** with the bolts facing inside of the shower.

Carefully bring the **Door Glass (#02)** into the shower between the two stationary panels.

Level up the **Door Glass (#02)** next to the **Stationary glass 2 (hinge panel) (#03)** and fasten the hinges onto the **Door Glass (#02)**. Make sure the top edges of the **Door Glass (#02)** and the **Stationary glass 2 (hinge panel) (#03)** are flush at the top. Use a **13/16" shim** beneath the door glass during installation (see Fig 14).

See Fig 13 & 14 for details

NOTE: See page #15 for details about the **Adjustable hinge features**

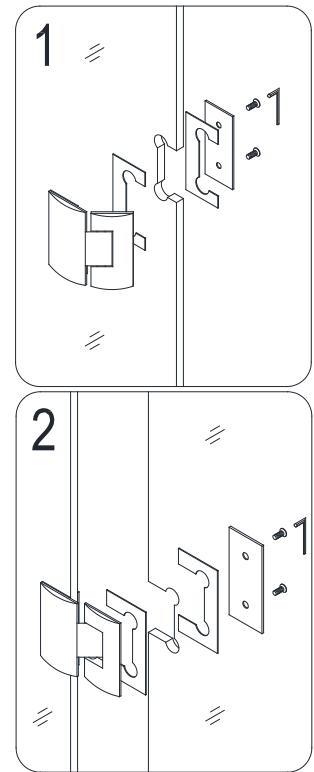


Fig 13

TIP: Use a **13/16" shim** beneath the door glass to help align the door glass with the hinges. This will also protect the threshold and the bottom of the door glass from damage and allow spacing for the sweep vinyl seal (#15).

See Fig 14 for details

TIP: It is advisable to allow the silicone to set on the hinge panel glass connection with the U-channel before hanging the door glass. Leave the shims in place beneath the door glass while the silicone cures, especially if an out-of-plumb wall condition is present.

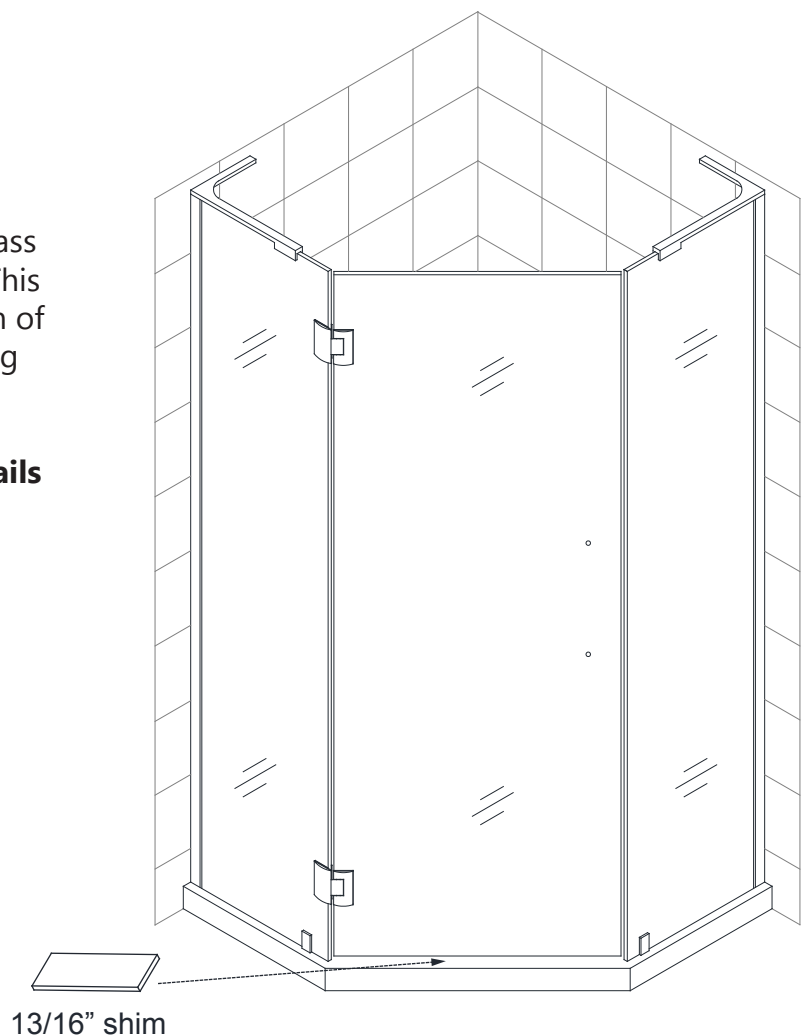


Fig 14

12. Press the **Anti-water strip (#14)** onto the vertical edge of the **Stationary glass 2 (#03)**. (Fig 14.1)
 Press the **Bottom anti-water strip (#15)** onto the bottom edge of the **Door Glass (#02)**. (Fig 14.2)

See Fig 15 for details

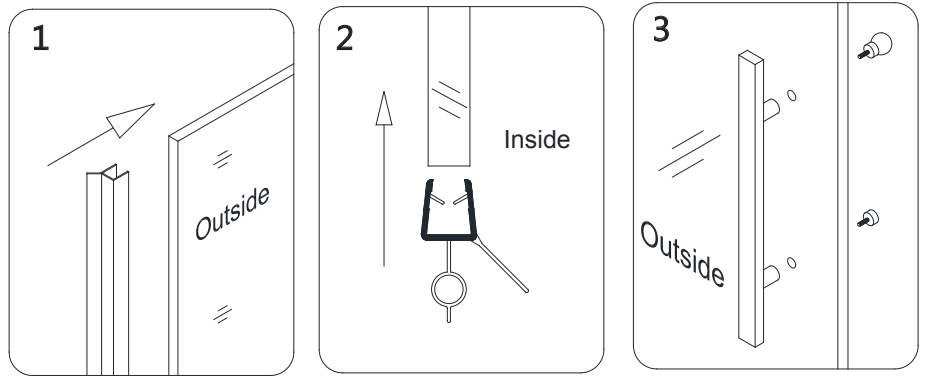


Fig 15

13. Take three measurements:

- From the top edge of the **Door Glass (#02)** to the top edge of the inner part of the **Hinge (05)**; (See Fig 15.3)
 - Repeat this process between the top and bottom hinges
 - Measure up from the surface of the shower base to the bottom of the inner part of the bottom hinge
- Cut the **Anti water Side strip (hinge side) (13#)** according to these measurements.
 Notch the ends to fit into the hinges and also around the **Bottom anti-water strip (#15)**.
 Fully press the cut strips onto the vertical edge of the **Door Glass (#02)**.

See Fig 16 for details

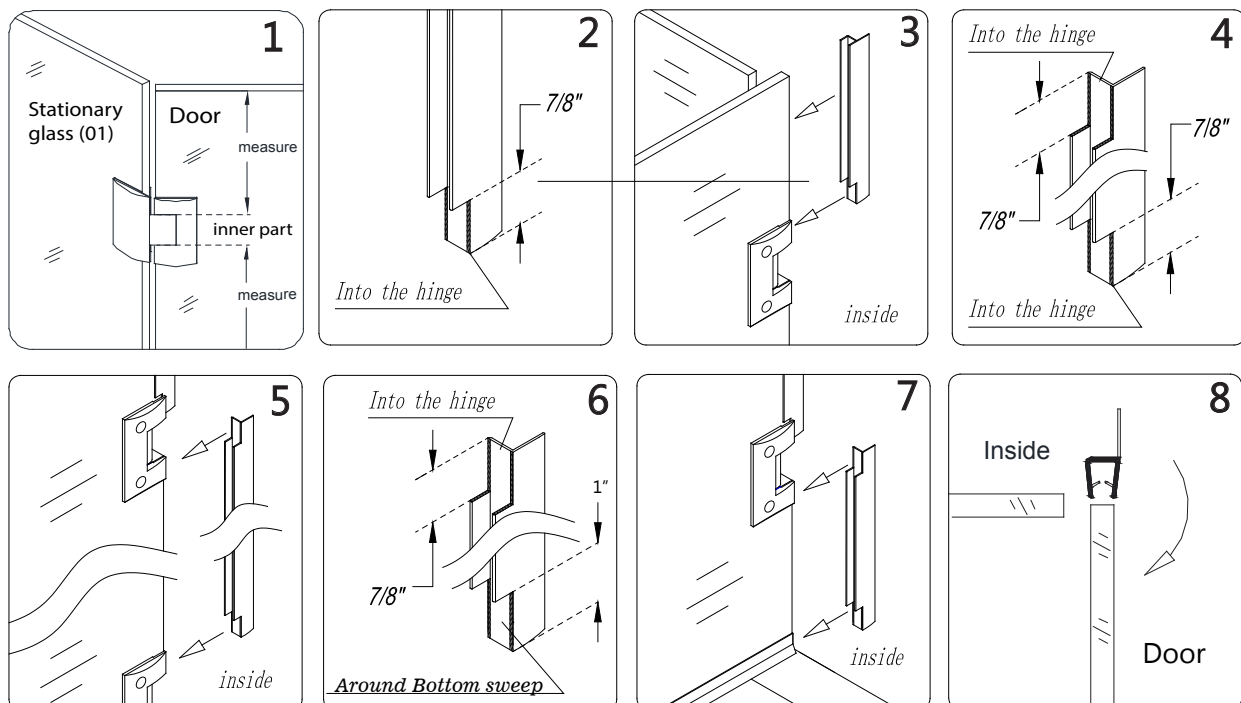


Fig 16

14. Apply a good quality mildew-resistant silicone along the connection of the stationary glass with the walls and the Shower base or threshold.

Allow 24 hours for the silicone to fully cure before using the shower.

See Fig. 17 for details

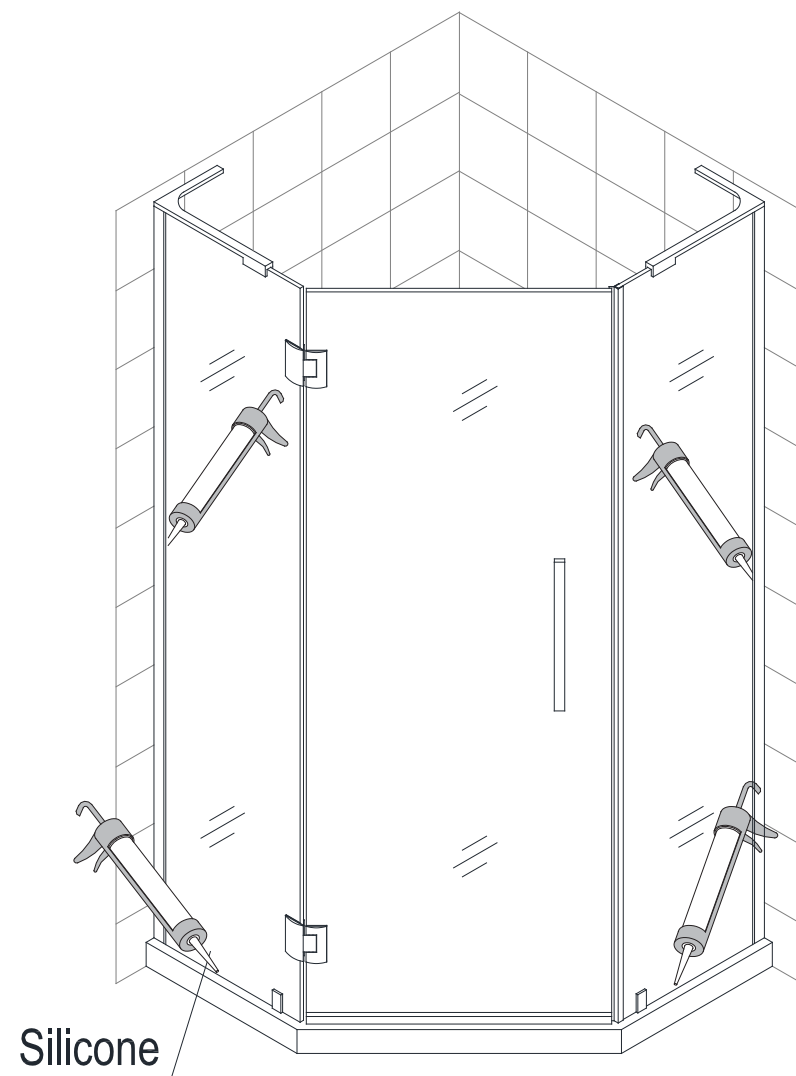
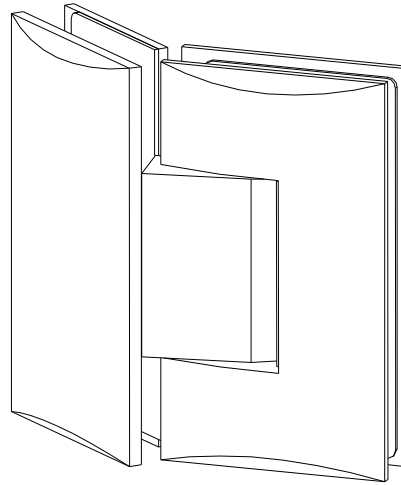


Fig 17

HG-PRS30A Adjustable Hinge Manual



Installation & Adjustment

1. Make sure the door glass is plumb and the edge of the hinge is installed flush with the glass edge. Tighten the faceplate screws. (Figure 1)

2. The hinges are set to over-close at 130°degrees. You can change this angle by using the adjustment screws on the hinge plate. (Figure 2)

3. Use the supplied Allen Key to loosen the adjustment screws on the hinge plate, adjust the door to the desired angle then tighten the adjustment screws. (Figure 3)

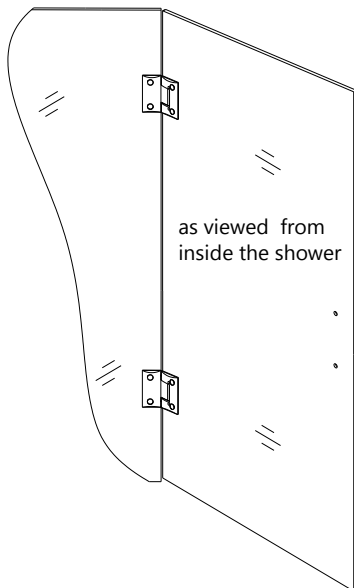


Figure 1

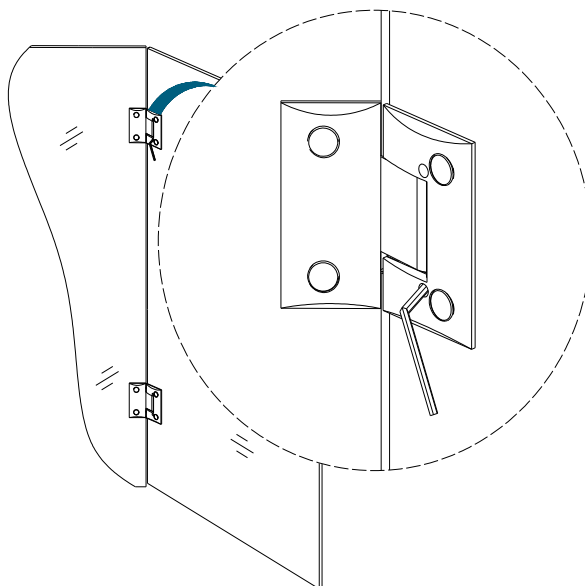


Figure 2

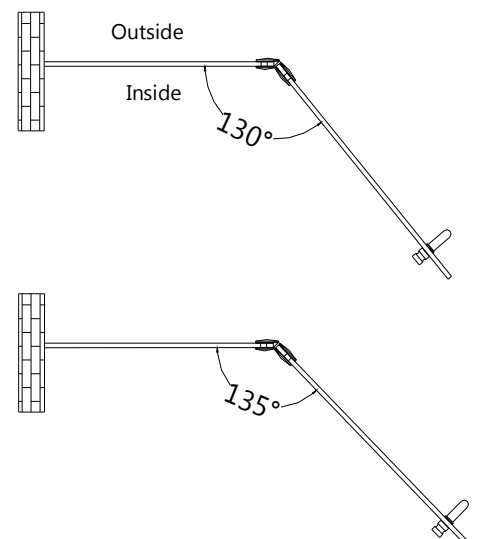


Figure 3

Safe Use & Daily Maintenance

- The overclose setting requires strike vinyl for the door to close against and seal.
- Use a soft cloth to clean the hinge surfaces. Do not use abrasives or acidic liquids as this will damage the finish.
- Be careful not to scratch the finished surfaces of the hinge during installation.

Product Maintenance

BASES and BACKWALLS: To ensure long lasting life for your acrylic back walls: wipe them off after each use with a soft cloth. To clean the acrylic back walls use non-abrasive sprays or cream based cleaners. Avoid the use of aerosol spray cleaners. Never use abrasive cleansers, metal brushes or scrapers that could scratch or dull the surface.

GLASS: To ensure long lasting life for your glass shower products: wipe them off after each use with a soft cloth. Rinse and wipe off the glass using either a soft cloth or a squeegee to prevent soap buildup and water spots (Hard water can etch the surface of the glass over time if left to dry). To prevent scratching the surface: never use abrasive cleaners or cleaning products that contain scouring agents. Never use bristle brushes or abrasive sponges that may scratch the surface.

HARDWARE: To ensure a long lasting finish: wipe off the metal parts after each use with a soft cloth. Do not use abrasive cleaners or cleaning products containing ammonia, bleach or acid. If accidentally used, rinse the surface as soon as possible to prevent damage to the finish (peeling or corrosion). After cleaning the polished finishes, rinse thoroughly and wipe dry with soft cloth. Clean stainless steel surfaces at least once a week. When applying stainless steel cleaner or polish to stainless steel hardware, work with (not across) the grain. Never use an abrasive sponge or cloth, steel wool or wired brush as these may permanently scratch the surfaces.

NOTE: To maximize the life of your door, it is important to regularly inspect the glass and all hardware for misalignment, proper attachment, and/or damage. Contact DreamLine with any questions or concerns.



DREAMLINE[®]
THE ULTIMATE SHOWER DOOR

TEL: 866-731-2244
FAX: 866-857-3638
DREAMLINE.COM

For more information on DreamLine[®] Shower Doors and Enclosures please visit **DreamLine.com**