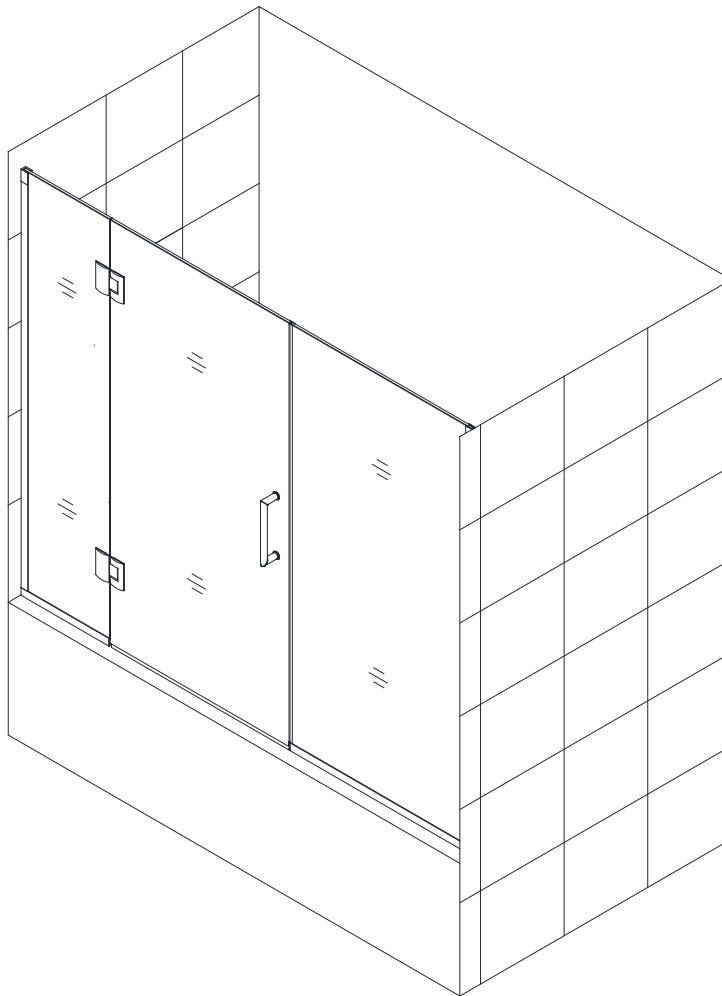


UNIDOOR-X TUB DOOR

TUB DOOR INSTALLATION INSTRUCTIONS

IMPORTANT

DreamLine[®] reserves the right to alter, modify or redesign products at any time without prior notice. For the latest up-to-date technical drawings, manuals, warranty information or additional details please refer to your model's web page on **DreamLine.com**



Left-hand bracket installation shown

MODEL #s

D58580-##

##=finish

01- Chrome

04- Brushed Nickel

06- Oil Rubbed Bronze

09- Black Satin

Questions?

Please Call **DreamLine** Customer Support: **1-855-831-2126**
Hours of Operation M-F 8AM - 7PM EST and Saturday 9AM - 5PM EST

Support@DreamLine.com

For more information about DreamLine[®] Shower Doors & Tub Doors please visit **DreamLine.com**

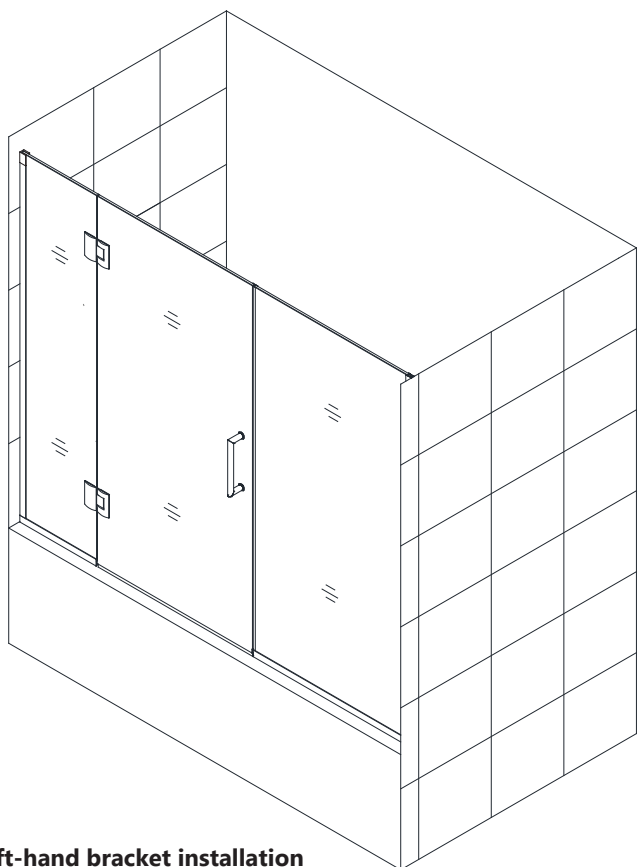


This model is treated with DreamLine's exclusive ClearMax™ Glass technology. This is a specially formulated coating that prevents the build up of soap and water spots.

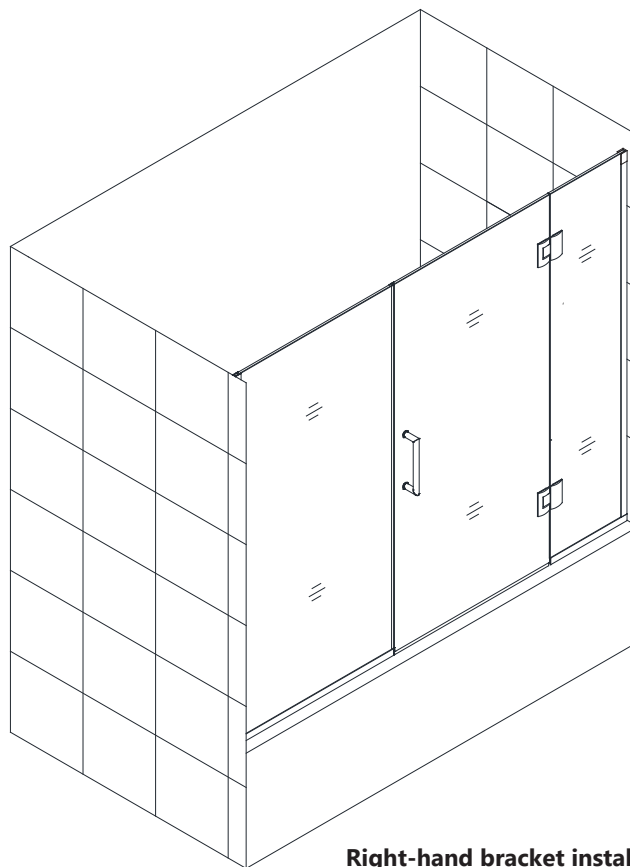
Install the surface with the ClearMax™ label towards the inside of the shower. Please note that depending on the model, the glass may be coated on either one or both surfaces.

For best results, squeegee the glass after each use and dry with a soft cloth.

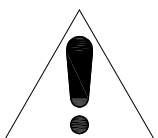
NOTE: This model is available as a right or left-hand bracket installation. The left-hand bracket installation is shown as an example throughout this manual.



Left-hand bracket installation



Right-hand bracket installation



NOTE: Do Not attach the handle to the door glass until instructed to do so. Do Not attempt to lift the door glass with the handle as this may result in damage to the glass and/or serious personal injury. Use a professional grade glass suction cup and an assistant.

Preparation

1. Prior to installation, examine all boxes and packages for shipping damage and compare the piece count with your packing slip. After opening all boxes and packages read this introduction carefully. Check that all of the needed parts are included in the package by checking off the components on the "Detailed Diagram of Shower Door Components". If the unit has been damaged, has a finishing defect, or has missing parts, please contact our customer support department within **3 business days** of the delivery date. **Please note that DreamLine® will not replace any damaged products or missing parts free of charge after 3 business days or if the product has been installed.** Feel free to contact DreamLine® if you have any questions, and please provide an order number, job name or other proof of purchase help us identify the original order.

2. Please note that you should consult your local building codes with questions on installation compliance standards. Building and plumbing codes may vary by location, and DreamLine® is not responsible for code compliance standards for your project and will not accept any returns.

3. If this unit is going to be installed in a new construction, please install all of the required plumbing and drainage before installing the shower. Use a competent and licensed (if required by local code) plumber for all plumbing installation

4. Please make sure that prior to beginning the installation, the surfaces are leveled and solid and will be able to support the total weight of the unit. Also make sure the walls are at right angles. Irregular installation surface level, radius corners or improper angle of side walls will result in serious problems for your installation. Please, note that some adjustments and drilling might be necessary during the installation process.

5. Please protect all primary surfaces of the product during installation. Never set your glass down directly onto a tile floor. Leave corner protectors in place until necessary to remove them. Always use a piece of wood or cardboard to protect the bottom edge and corners of the glass prior to and during installation.

6. This unit must be installed upon a finished threshold and against finished walls.

7. This model has **1/2" of adjustment within the u-channel on the stationary panel side** for out-of-plumb wall conditions and overall width within the model size. Confirm the finished opening conditions before proceeding with the installation.

8. **The hinge panel glass for this model should not be adjusted more than 1/4" for out-of-plumb within the u-channel.** This model does NOT have any adjustment for overall width. Verify that the model size ordered will fit the finished opening before beginning installation.

9. **Professional installation is recommended.**

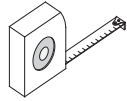
NOTE: This manual will describe the LEFT-hand bracket installation.

When installing the model for a Right-hand bracket installation, simply begin your installation on the opposite wall and reverse the orientation of the parts as necessary.

Tools



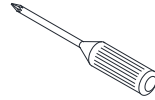
Level



Tape Measure



Pencil



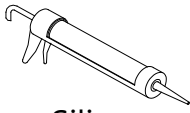
Phillips Screwdriver



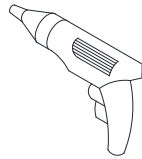
Drill bit (Ø=5/16")



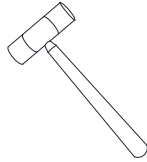
Drill bit (Ø=1/8")



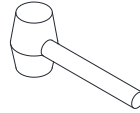
Silicone



Power Drill



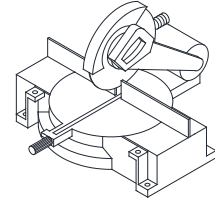
Soft Head Hammer



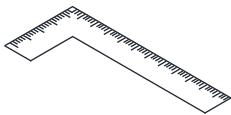
Mallet



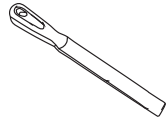
Wood



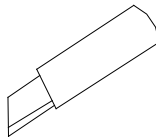
Miter saw



Carpenter's Square

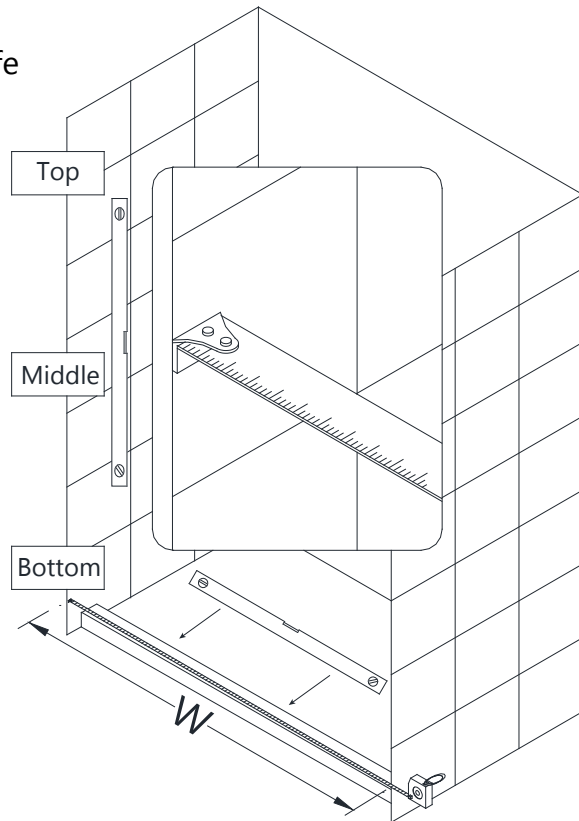


Metal File



Razor Knife

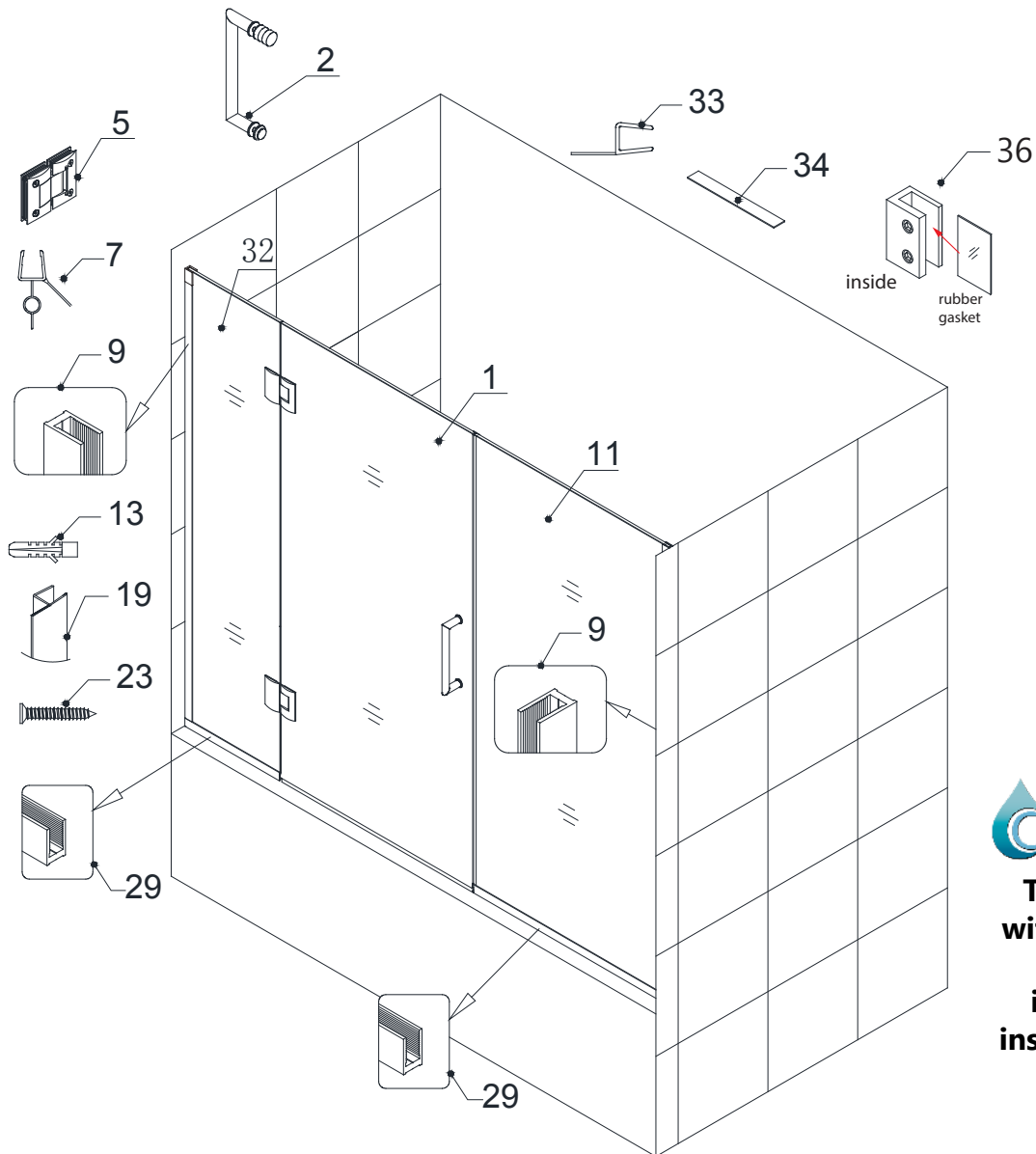
Tip: Measure the finished opening before proceeding with the installation to be sure that the correct model size has been ordered.



NOTE: Unpack your unit carefully and inspect it. Lay it out and identify all parts using the detailed diagram and packing list in this manual as a reference. Before discarding the carton, check for small hardware bags that may have fallen to the bottom of the box. If any parts are damaged or missing, please contact DreamLine® for replacement. The shipping boxes may contain extra parts not used in your model configuration.

NOTE: Retain these installation instructions for future reference.

Detailed Diagram of shower door components



CLEARMAX™
The glass surface with the ClearMax™ label must be installed to face inside of the shower

Parts List

01	Door Glass	1pc	19	Anti-Waterstrip (inline strike)	1pc
02	Handle	1pc	23	Countersunk screw ST4.2x40	15 pcs
05	Glass-to-Glass Hinge	2pcs	29	U-channel 2 (44", bottom profile)	1pc
07	Bottom anti-water strip	1pc	32	Hinge panel Glass(7" nominal)***	1pc
09	U-channel 1 (76", wall profile)	2pcs	33	Flanged anti-water strip	1pc
11	Stationary Glass (24" nominal)	1pc	34	PVC glass spacer (0.5mm)	1pc
13	Ø5/16" Wall anchor	15 pcs	36	Hinge panel glass bracket	1pc

Box Contents

Accessories (hinge, handle, bracket)box (SHDR-AC2511-01/04/06/09)	2. 5. 13 (1pc). 23(1pc). 36.
Spare parts	13, 23 - 3pcs each

**Hinge panel glass (#32)- has a top and a bottom and must be installed correctly.
 The top hinge cutout is 7-7/8" to center, the bottom cutout is 8-3/8" to center.

Installation steps

1. Draw a line on the threshold and on the wall to represent the centerline of the U-channel. Make sure the line is parallel to the front edge of the threshold or tub deck. **(Fig 1)**

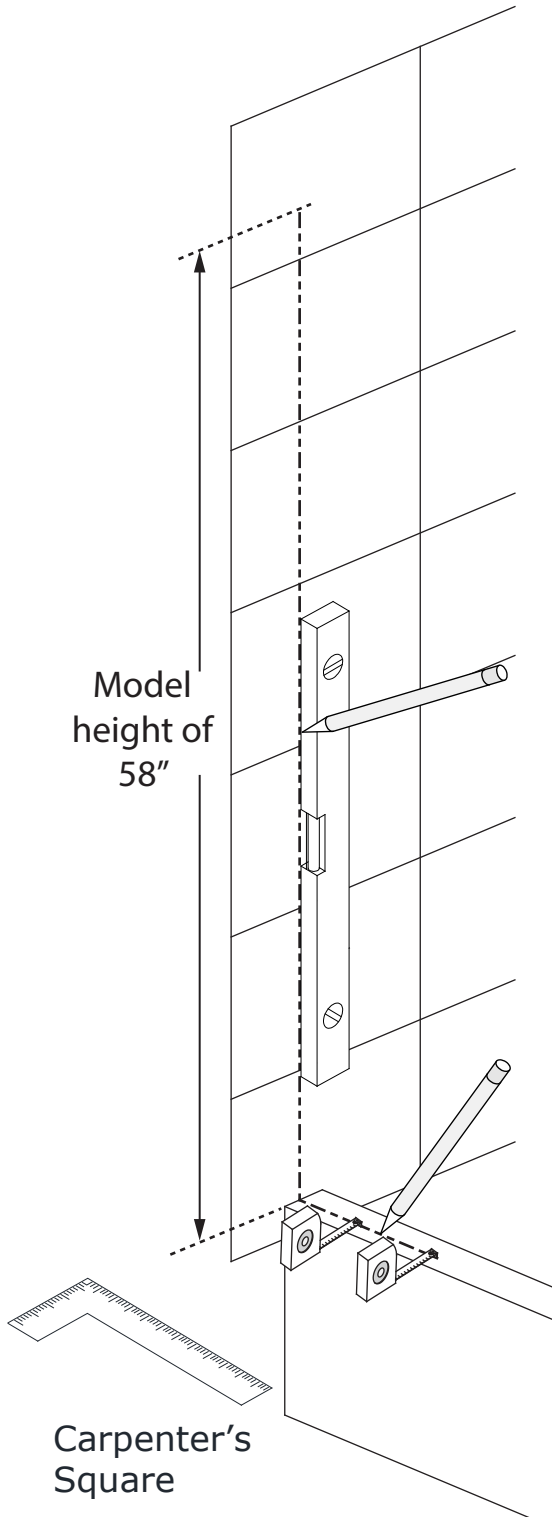
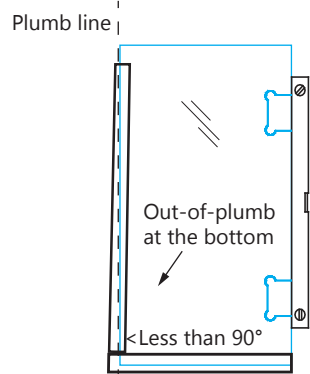
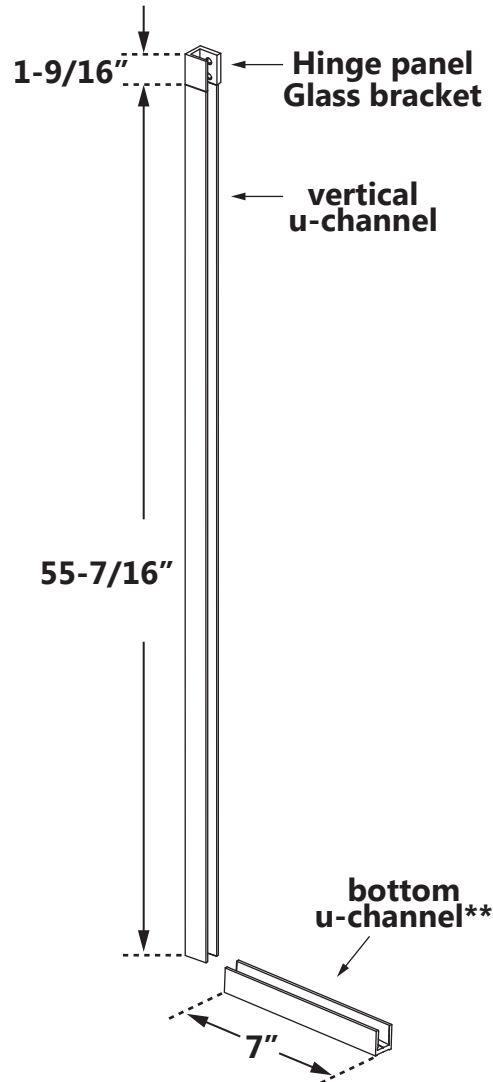


Fig 1

2. Cut the vertical u-channel to **55-7/16"** for tub model height. Cut the bottom u-channel** to **7"** for tub model. **(Fig 2)**



****If the wall is out-of-plumb at the bottom, measure that dimension (A) and add it to the length of the u-channel (1/4" max):**
Finished cut length= Glass Width + 3/16" + dimension A

Fig 2

3. Position the u-channels and Hinge Panel Glass Bracket on the centerlines to mark the holes for drilling. **(Fig 3)**

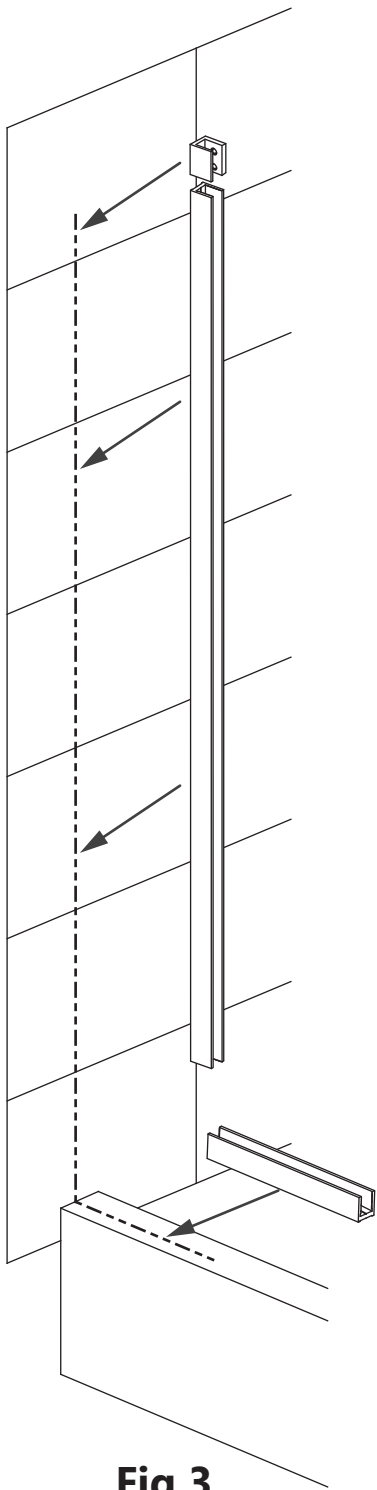


Fig 3

4. Mark the hole positions on the centerline on the wall and tub deck through the holes in the u-channels and the hinge panel glass bracket. **(Fig 4)** (note that the hinge panel glass bracket is wider than the u-channel)

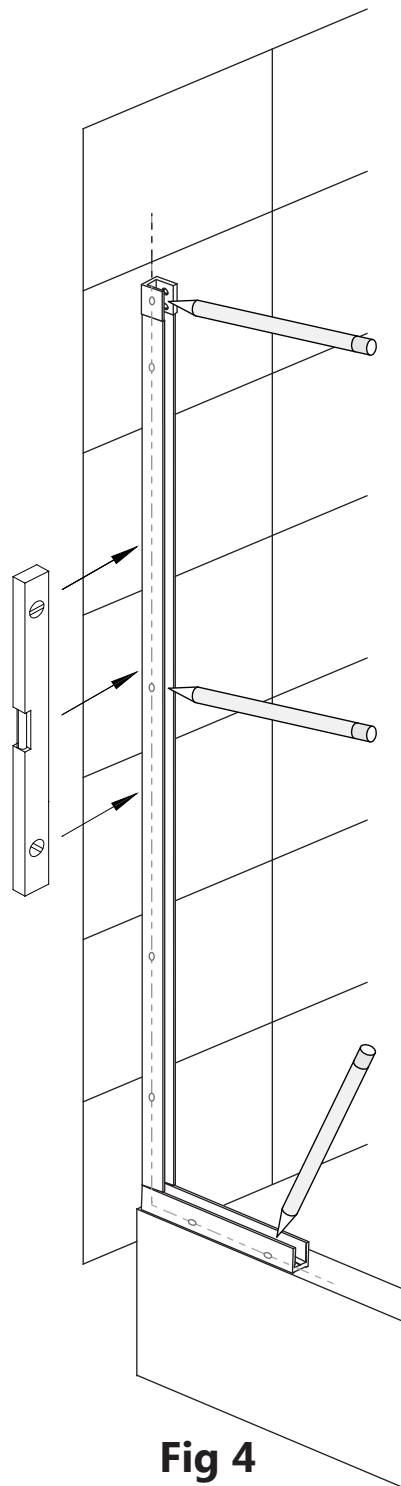
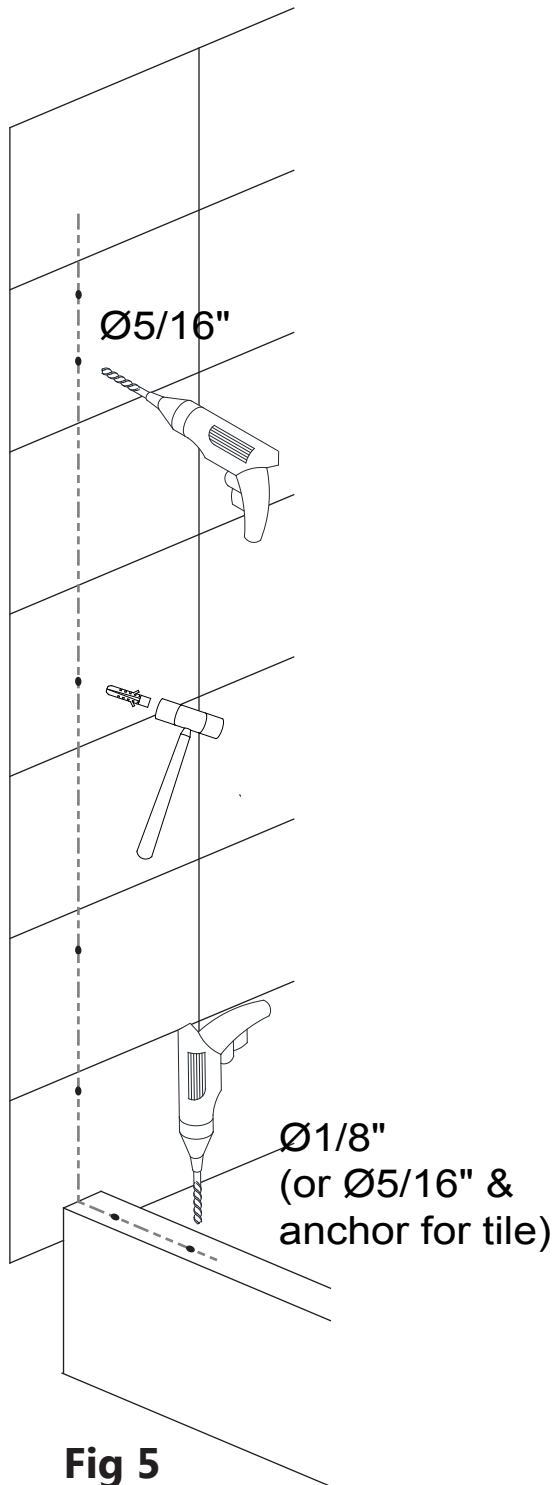
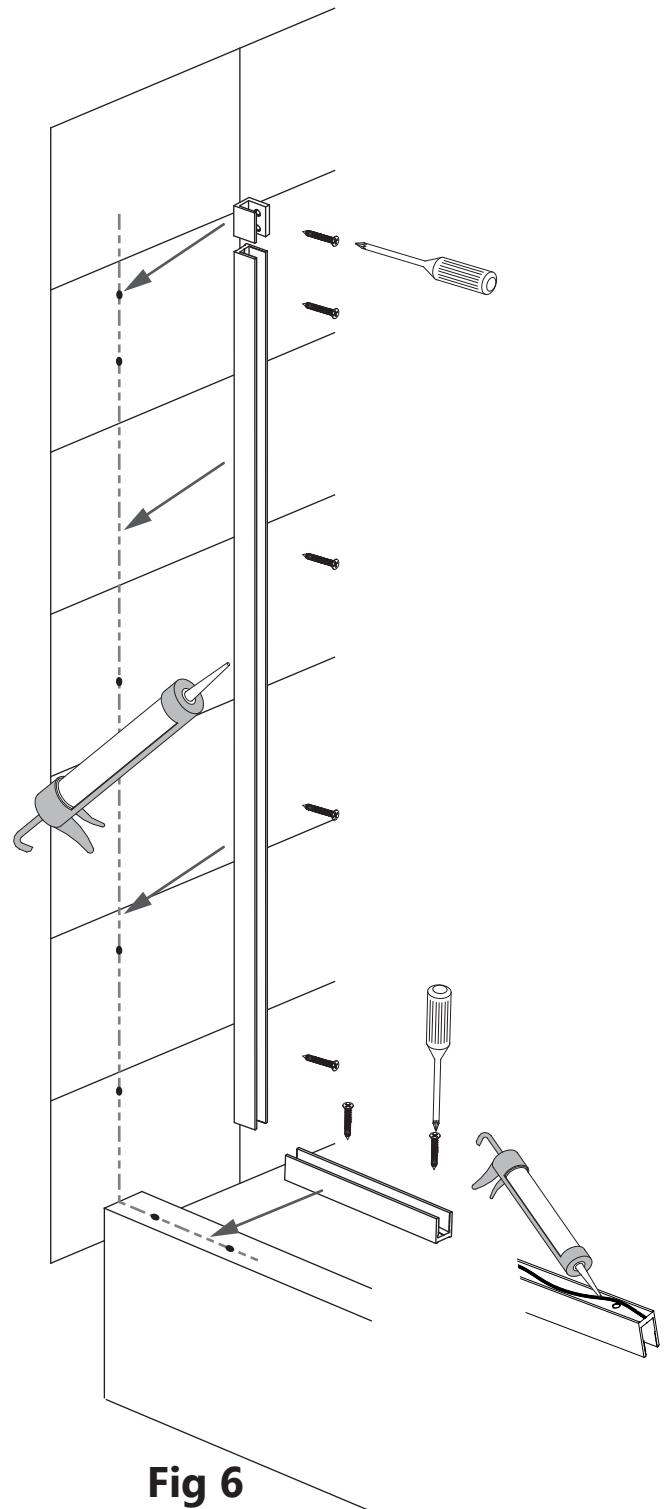


Fig 4

5. Drill $\text{\O}5/16''$ holes in the wall and install the wall anchors. Drill $\text{\O}1/8''$ holes into the threshold or tub deck (or $\text{\O}5/16''$ holes and anchors for a tile threshold).
(Fig 5)



6. Apply silicone to the back of the u-channels and the screw holes, then install the u-channels and Hinge Panel Glass Bracket using the **ST4.2 x 40mm screws (#23)**.
(Fig 6)



7. Add the 0.5mm shims into the bottom u-channel. Apply silicone into the u-channels. (**Fig 7**)

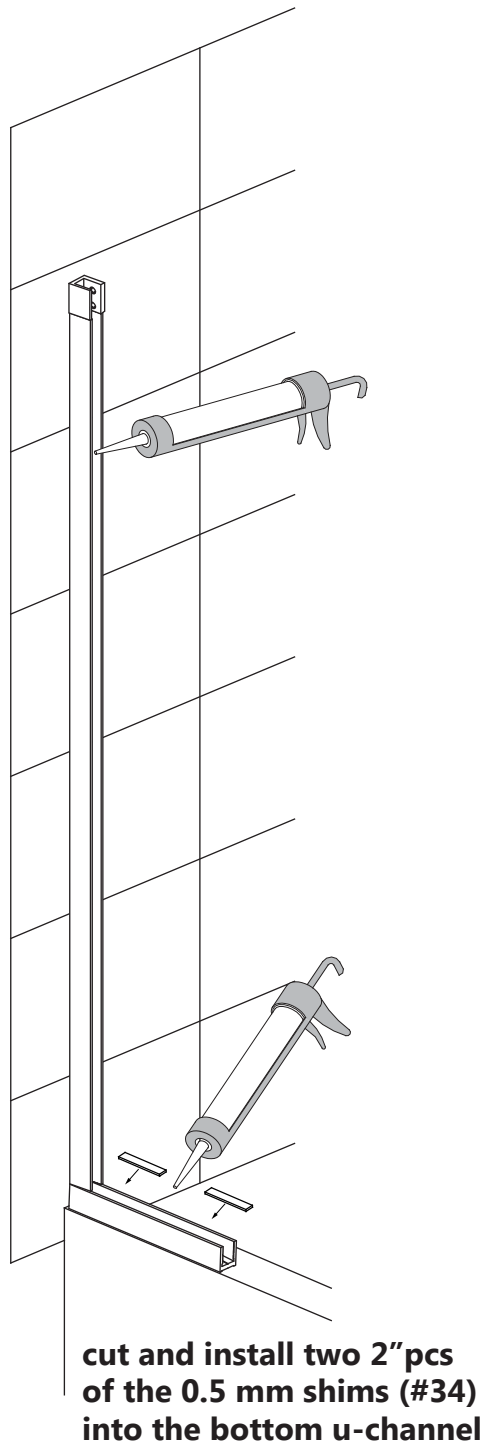


Fig 7

8. Install the hinge panel glass into the u-channel. (Note the top and bottom of the hinge panel glass) Install the Hinge Panel Glass bracket gasket. (**Fig 8**)

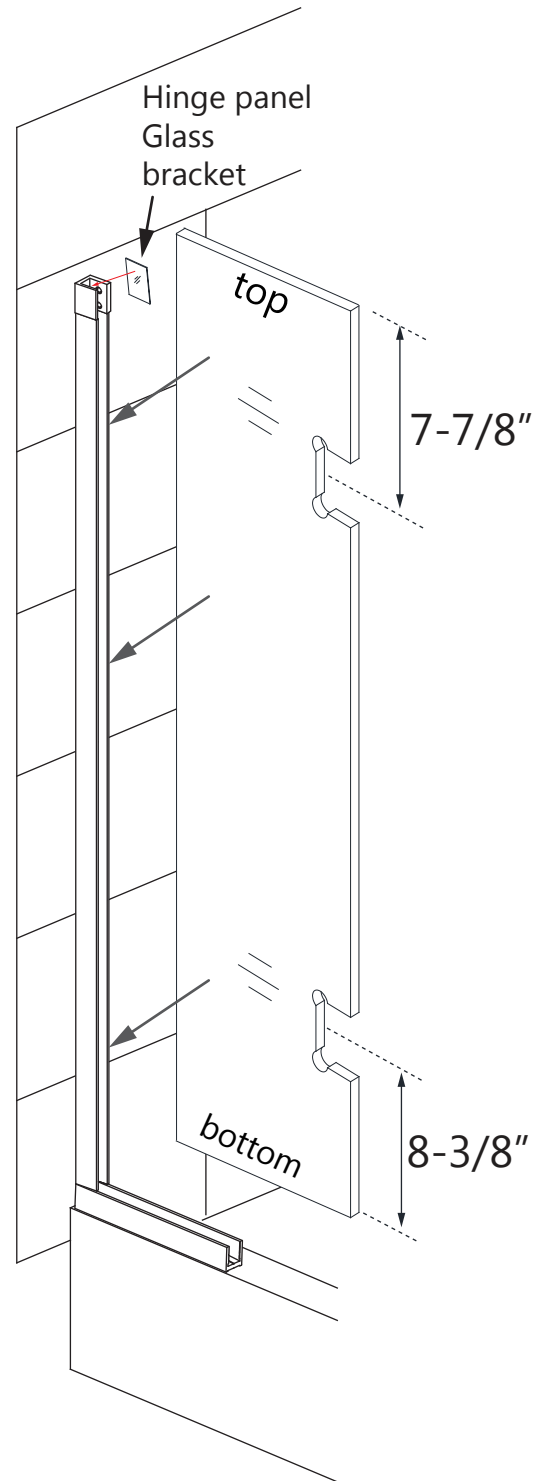


Fig 8

9. Tighten the rubber tipped set screws on the **Hinge Panel Glass Bracket (#36)** to secure the glass. Do Not over-tighten! (**Fig 9**)

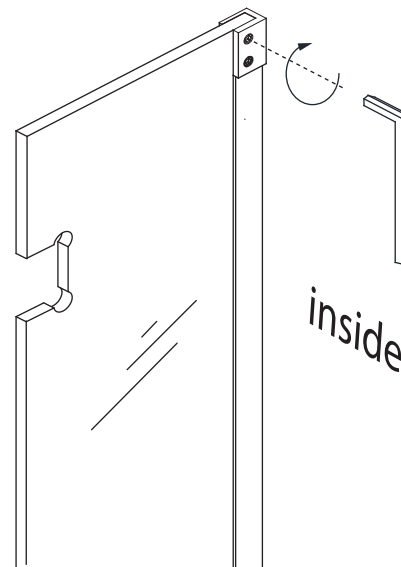
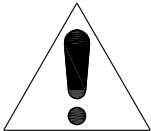


Fig 9



NOTE: During installation of the **Hinge Panel Glass (#32)**, it is strongly recommended that the **silicone be allowed to fully cure before hanging the door glass.**

NOTE: Do Not attach the handle to the door glass until instructed to do so. Do Not attempt to lift the door glass with the handle as this may result in damage to the glass and/or serious personal injury. Use a professional grade glass suction cup and an assistant.

10. Attach the **Hinges (#05)** to the **Hinge Panel glass (#32)** with the decorative bolts facing inside the shower. The **Door Glass (#01)** ships with four 5/8" shims attached to the top (2pcs) and bottom (2pcs). Determine the swing of the door. Remove the shims from the top of the door glass and leave the bottom shims in place. Set the **Door Glass (#01)** onto the threshold or tub deck at the desired location and check for level. These 5/8" shims will leave the proper spacing at the bottom of the door glass and will ensure that the door height finishes at 58" to match the installed panel height, but always confirm with a measurement.

Level up the **Door Glass (#01)** with the **Hinge Panel glass (#32)** and fasten the hinges onto the **Door Glass (#01)** using one gasket per side. Make sure the top edge of the **Door Glass (#01)** and the **Hinge Panel glass (#32)** are aligned. (**Fig 10 & 11**)

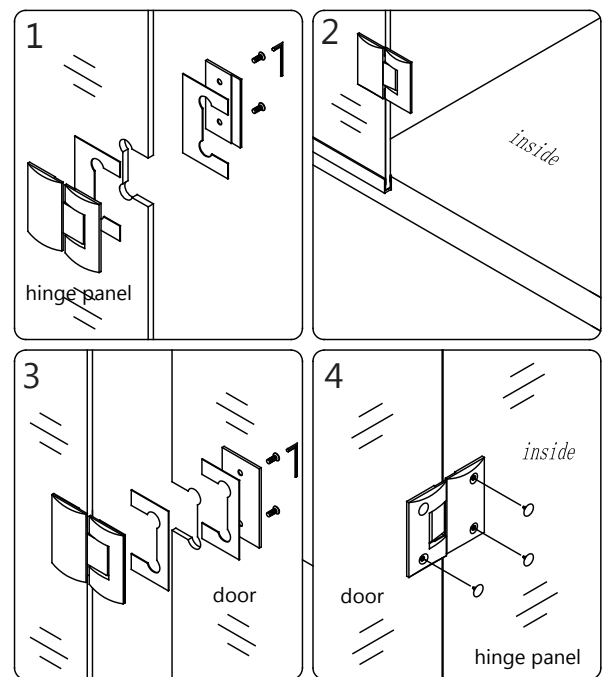


Fig 10

**** NOTE:** It is strongly advisable to allow the silicone to set on the hinge panel glass connection with the U-channel before hanging the door glass. Leave the shims in place beneath the door glass while the silicone cures, especially if an out-of-plumb wall condition is present (not to exceed 1/4"). **(Fig 11)**

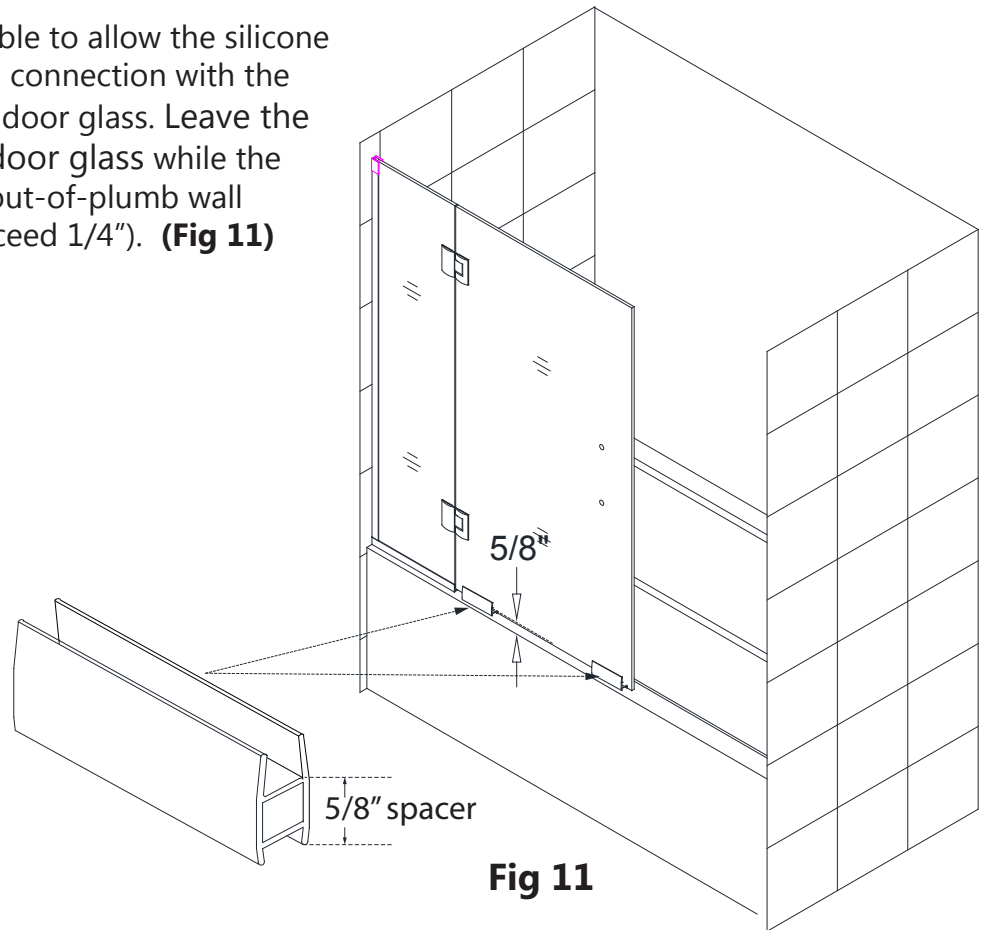


Fig 11

11. With the door closed, align the door parallel to the front edge of the tub deck. **Hold** the door glass in place and mark its position on the tub deck. **(Fig 12)**

NOTE: These hinges are factory set to overclose for a tight seal. **See page #19 for instructions regarding the adjustable hinge features.**

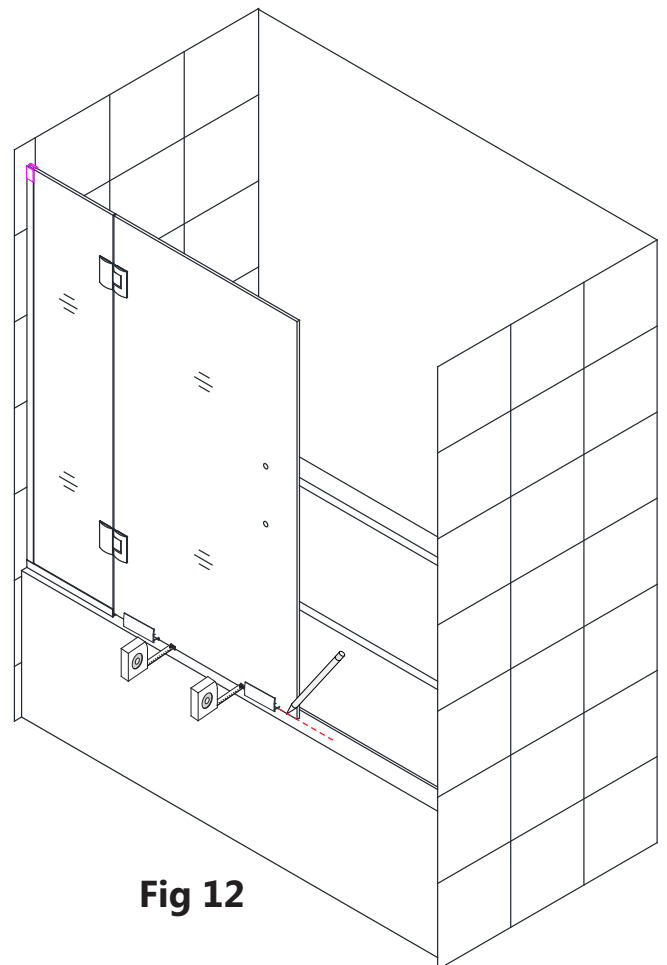


Fig 12

12. Insert three to four 2" pieces of the **0.5mm spacers (#34)** into the bottom U-channel and slip the cut **U-channel 2 (bottom profile) (#29)** and **U-channel 1 (wall profile) (#09)** onto the **Stationary glass (#11)** as shown in Fig 13.1.

With the door open, place the Stationary glass and u-channel onto the threshold inline with the door. Adjust the **Stationary glass (#11)** and **U-channel 1 (wall profile) (#09)** against the wall to compensate for any out of plumb conditions, ensuring that the **Stationary glass (#11)** is level vertically and **U-channel 1 (wall profile) (#09)** is flush with the wall.

Mark the **U-channel 2 (bottom profile) (#29)** end opposite the wall at the exposed vertical glass edge (Fig 12.3). Remove the **U-channel 2 (bottom profile) (#29)**.

Leave the **U-channel 1 (wall profile) (#09)** on the **Stationary glass (#11)**. Set the **Stationary glass (#11)** aside. Cut the **U-channel 2 (bottom profile) (#29)** at the mark. Slip the **U-channel 2 (bottom profile) (#29)** back onto the **Stationary glass (#11)**. (Fig 13)

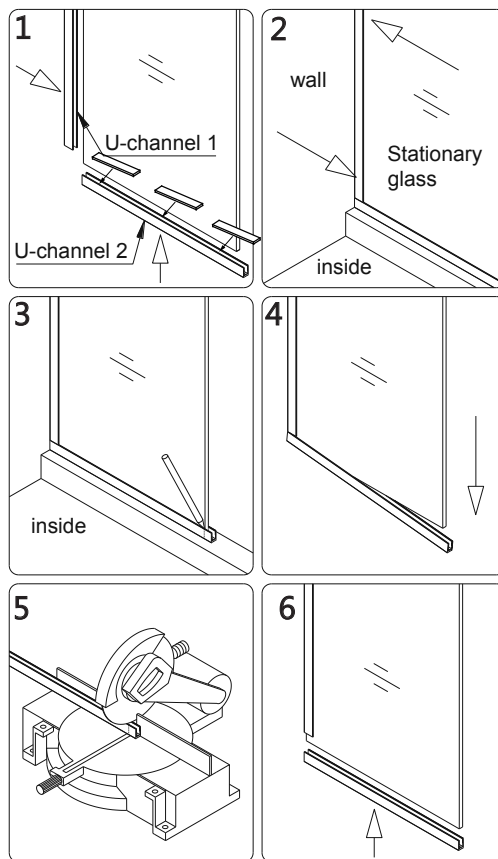


Fig 13

13. Press the **Anti-Water strip (inline panel) (#19)** onto the vertical edge of the **Stationary glass (#11)**.

Align the **Stationary glass (#11)** with the **Door glass (#01)**. Adjust the position of the **Stationary glass (#11)** so the **Anti-water strip (#33)** makes tight contact to the **Door Glass (#01)** from top to bottom.

NOTE: The top of the **Stationary glass (#11)** must be level with the **Door Glass (#01)**.

Outline (mark) the position along the inside edge of the U-channels on the wall and the threshold. Mark the **U-channel 1 (wall profile) (#09)** at the top glass edge for cutting. (Fig 14)

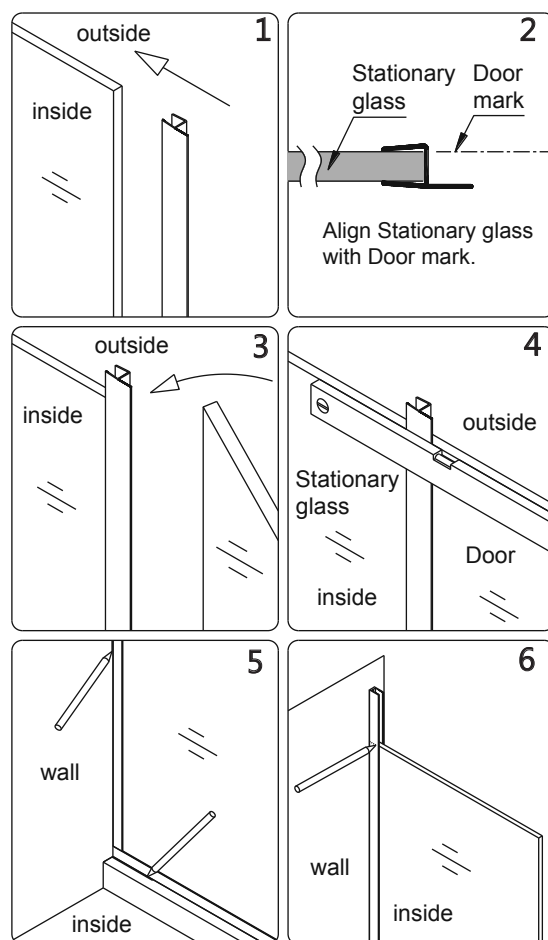


Fig 14

14. Remove the **U-channel 1 (76", wall profile) (#09)**, **U-channel 2 (44", bottom profile) (#29)** and **Anti-Water strip (inline panel) (#19)** from the **Stationary glass (#11)** and set the **Stationary glass (#11)** aside.

Place the **U-Channel 2 (bottom profile) (#29)** onto the threshold base in line with the inside threshold mark.

Mark the drill holes on the threshold through the predrilled holes in the U-Channel 2 (**44", bottom profile) (#29)** and drill the holes using **Ø1/8" drill bit**.

(*for tile, use a **Ø5/16" bit and an anchor**)

Apply waterproof silicone along the bottom surface and around the holes of the **U-Channel 2 (44", bottom profile) (#29)** and fasten it to the base with the **Countersunk screws ST4.2×40 (#23)**. (**Fig 15**)

NOTE: The surface needs to be clean and free of debris before applying silicone.

15. Cut the **U-channel 1 (76", wall profile) (#09)** at the top mark that was made in **Step 13, Fig 14.6**. Place the **U-Channel 1 (wall profile) (#09)** on top of **U-Channel 2 (44", bottom profile) (#29)** and align vertically (plumb) with wall mark.

Mark the drill holes on the wall through the predrilled holes in the **U-Channel 1 (wall profile) (#09)**.

Now drill holes in the wall using **Ø5/16" drill bit** and insert the **Ø5/16" Wall anchors (#13)**. (**Fig 16**)

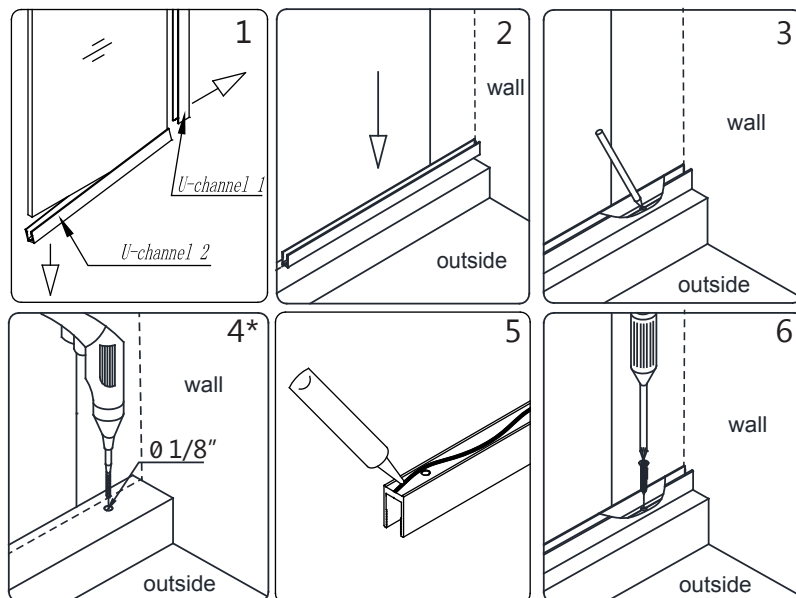


Fig 15

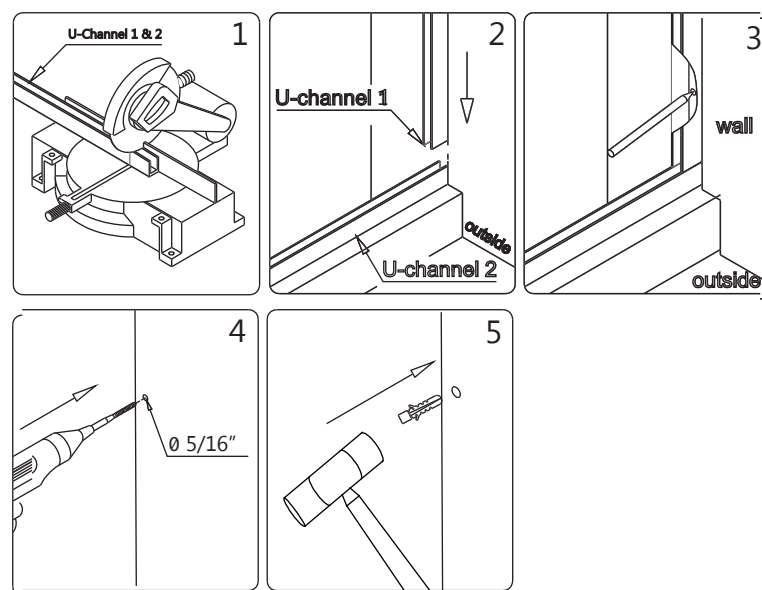


Fig 16

16. Apply waterproof silicone along the bottom surface and around the holes of the **U-Channel 1 (76", wall profile) (#09)**. Fasten the **U-Channel 1 (#09)** to the wall with the **Countersunk screw ST4.2x40 (#23)**. Add three or four 2" pieces of the **0.5mm spacers (#34)** into the bottom u-channel. Apply Waterproof silicone into the groove of both U-Channels.

NOTE: The surface needs to be clean and free of debris before applying silicone. **(Fig 17)**

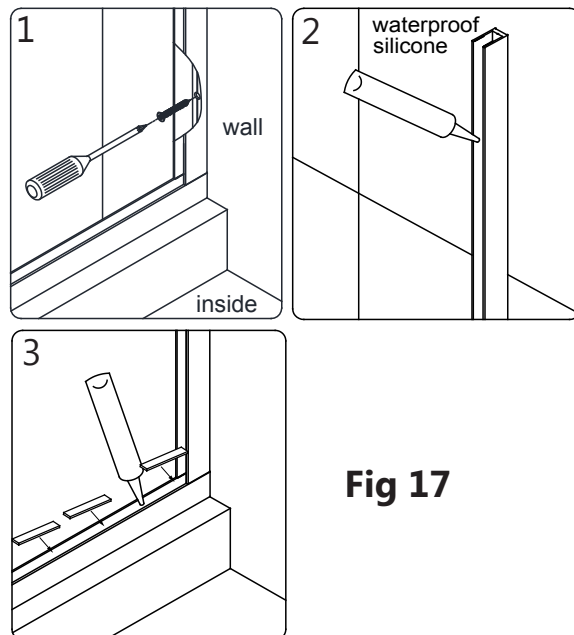


Fig 17

cut and install three 2" pcs of the 0.5 mm spacers (#34) into the bottom u-channel

17. Slide the **Stationary glass (#11)** into the groove of both U-Channels.

NOTE: If you have difficulty sliding the Stationary glass into the U-Channels, lightly tap on the Stationary glass with a rubber mallet and a piece of wood.

Apply a bead of silicone on both open ends of the U-Channels. **(Fig 18)**

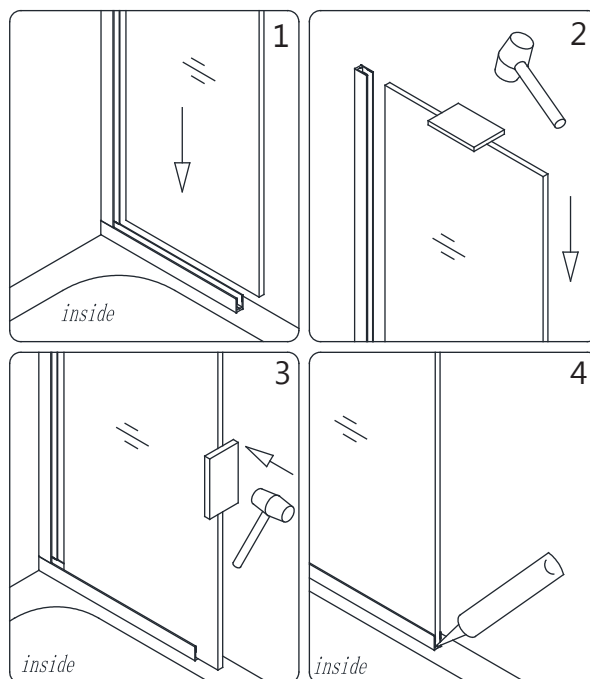


Fig 18

18. Notch 1" off of the bottom of the **Flanged anti-water strip (#33)** to fit around bottom U-channel. Press the **Flanged anti-water strip (#33)** onto the vertical edge of the **Stationary glass (#11)**. (**Fig 19**)

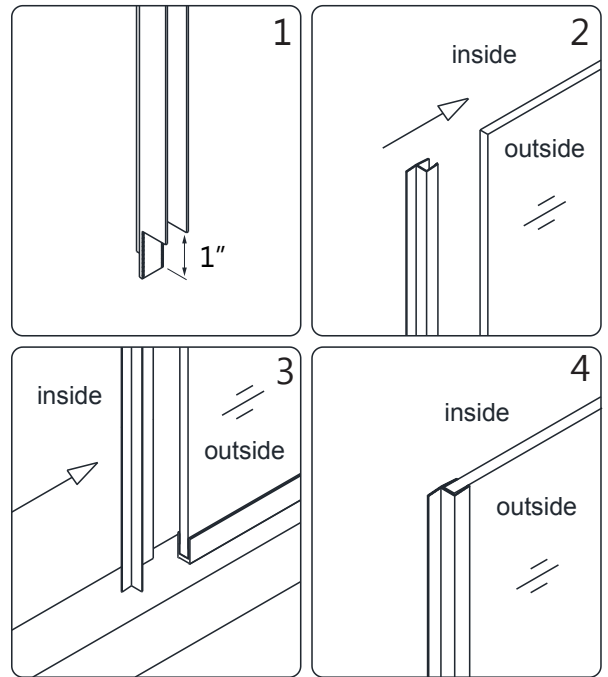


Fig 19

19. Mount the **Handle (#02)** onto the **Door Glass (#01)**. (**Fig 20**)

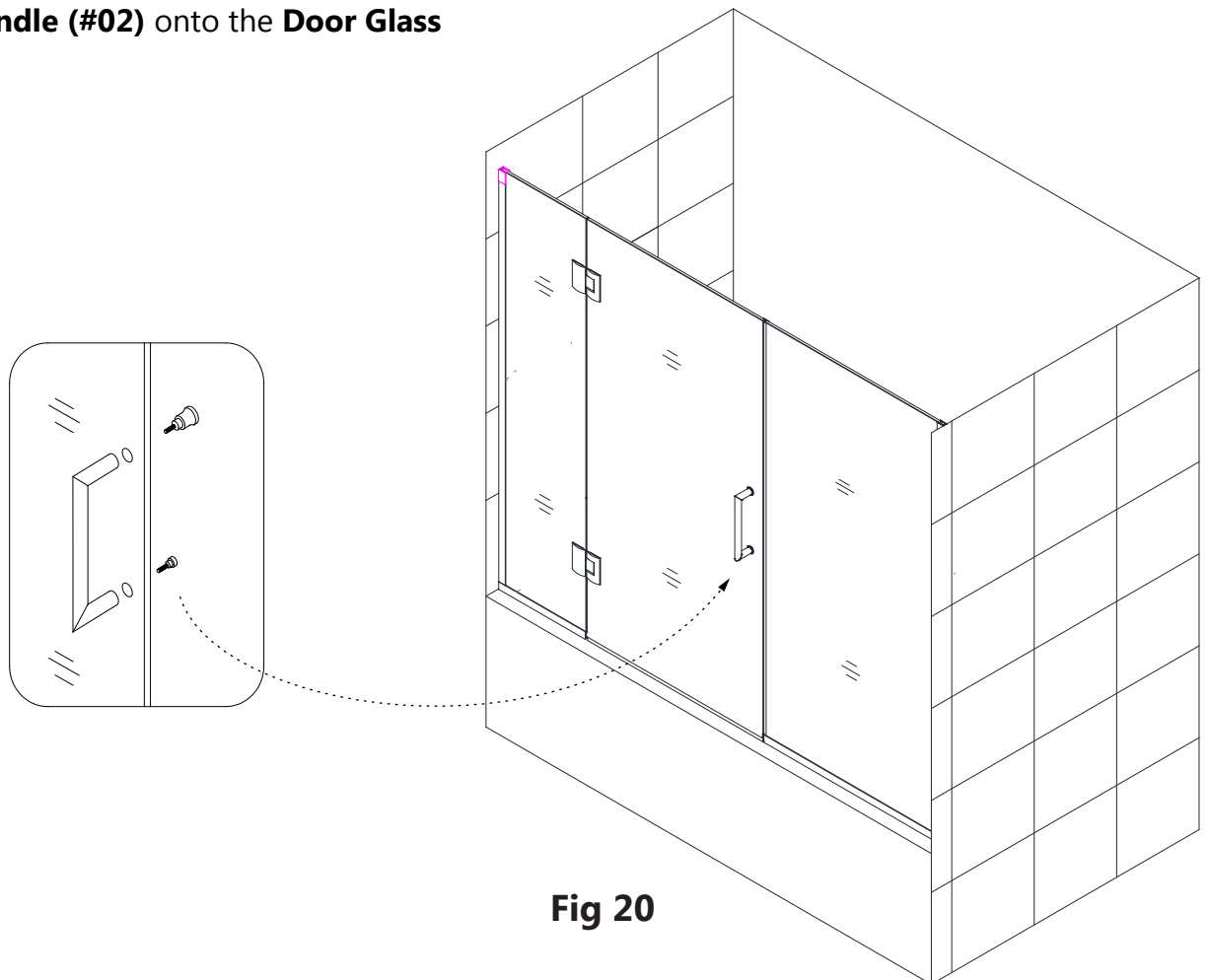


Fig 20

20. Measure the bottom of the **Door Glass (#01)** from end to end to determine the actual width of the door. Cut the **Bottom anti-water strip (#07)** to the size of your measurement and notch $\frac{3}{8}$ " of the inner side of the **Bottom anti-water strip (#07)** as shown in **Fig 21.2**. Press the **Bottom Anti-water strip (#07)** onto the bottom edge of the **Door Glass (#01)**.

NOTE: Make sure the **Bottom anti-water strip (#07)** is flush with the vertical edge of the Handle side of the **Door Glass (#01)**. (**Fig 21**)

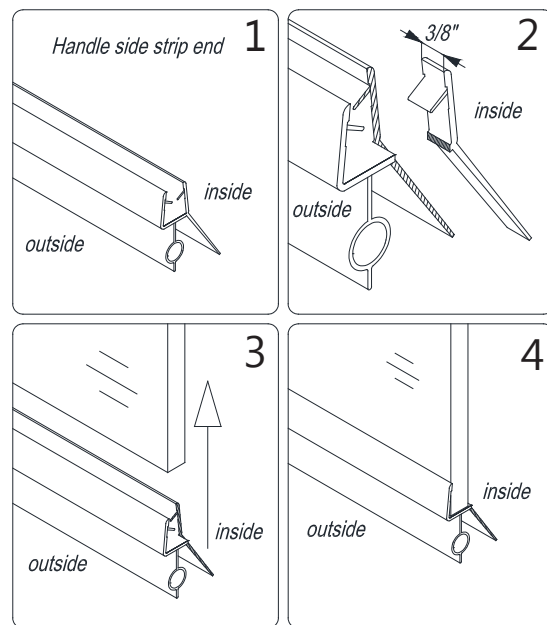


Fig 21

21. To install the **Flanged anti-water side strip (#33)**, take three measurements :

- from the top edge of the **Door Glass (#01)** to the top of the center portion of the top **Hinge (#05)**. (See **Fig 22** for an example, which can be used for all three measurements)
- from the bottom of the center portion of the top Hinge to the top of the center portion of the bottom **Hinge (#05)**
- from the bottom of the center portion of the bottom **Hinge (#05)** to the threshold. (**Fig 22**)

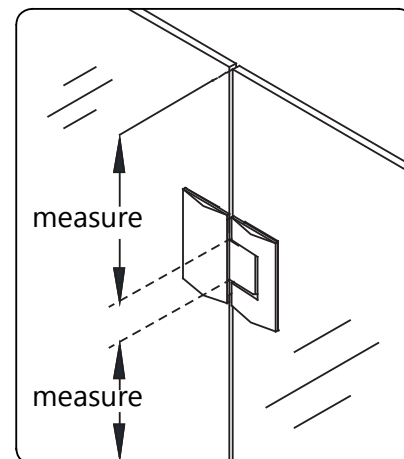


Fig 22

22. Cut the **Flanged anti-water side strip (#33)** to the measurements from the previous step.

Notch the cut strips to be able to slide them into the **Hinges (#05)** and around the installed **Bottom anti-water strip (#07)** to cover the space between both glass panels. Open the door and press the cut strips onto the vertical edge on the hinge side of the **Door Glass (#01)** so that it will overlap the hinge panel glass. **(Fig 23)**

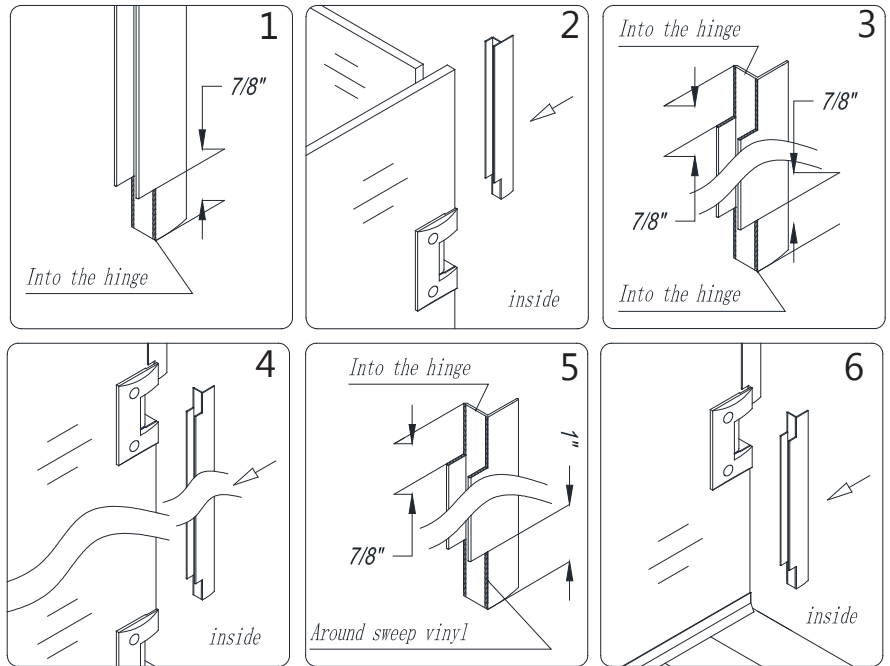


Fig 23

23. Apply a quality mildew-resistant waterproof silicone where both U-Channels connect to the wall and tub deck from inside the shower. **(Fig 24)**

Allow 24 hours for the silicone to fully cure before using the shower.

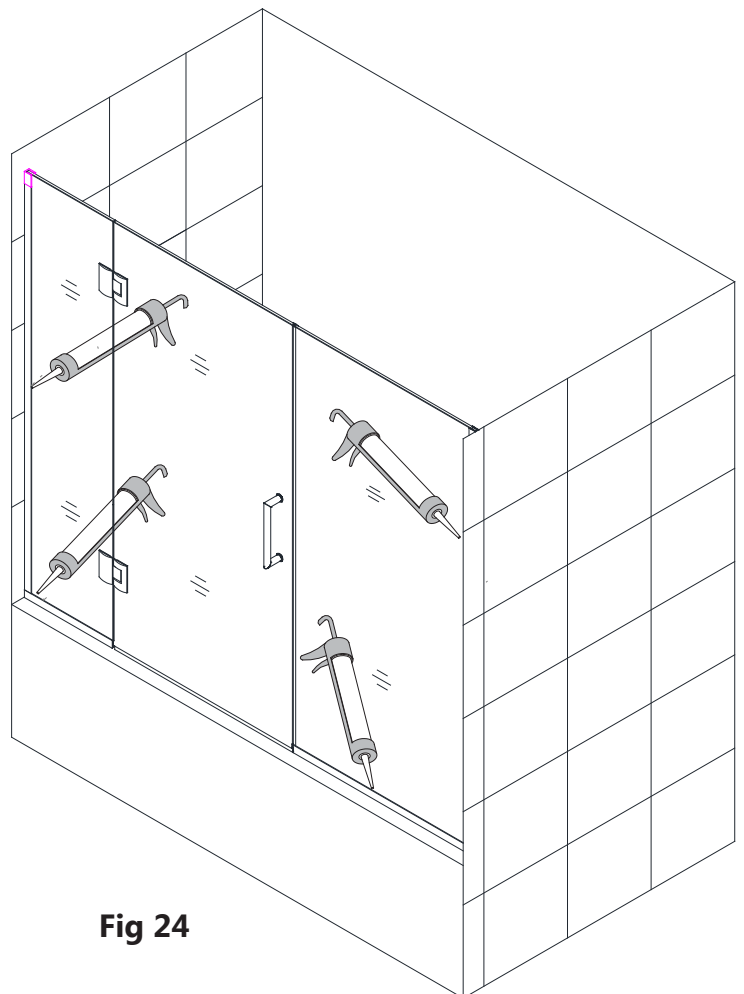
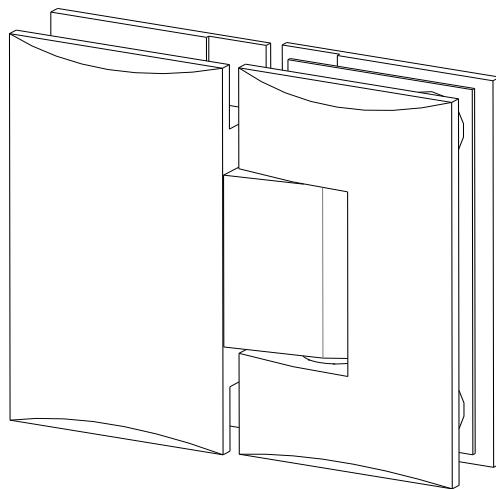


Fig 24

HG-PRS20A Adjustable Hinge Manual



Installation & Adjustment

1. Make sure the door glass is plumb and the edge of the hinge is installed flush with the glass edge. Tighten the faceplate screws. (Figure 1)

2. The hinges are set to overclose at 172°. You can change this angle by using the adjustment screws on the hinge plate. (Figure 2)

3. Use the supplied Allen Key to loosen the adjustment screws on the hinge plate, adjust the door to the desired angle then tighten the adjustment screws. (Figure 3)

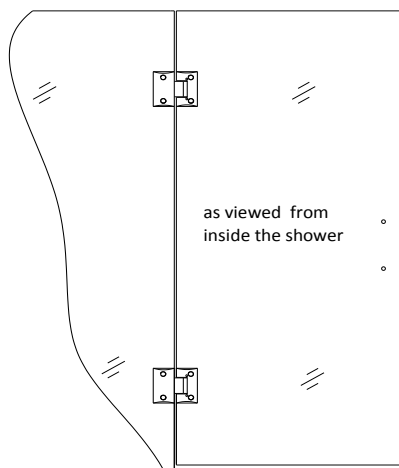


Figure 1

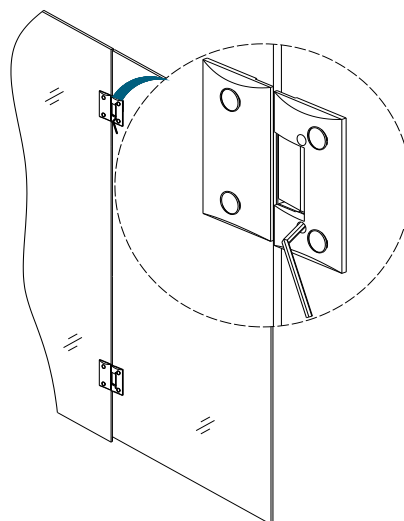


Figure 2

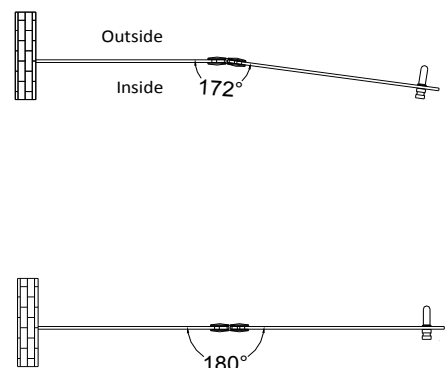


Figure 3

Safe Use & Daily Maintenance

- The overclose setting requires strike vinyl for the door to close against and seal.
- Use a soft cloth to clean the hinge surfaces. Do not use abrasives or acidic liquids as this will damage the finish.
- Be careful not to scratch the finished surfaces of the hinge during installation.

Product Maintenance

BASES and BACKWALLS: To ensure long lasting life for your acrylic back walls: wipe them off after each use with a soft cloth. To clean the acrylic back walls use non-abrasive sprays or cream based cleaners. Avoid the use of aerosol spray cleaners. Never use abrasive cleansers, metal brushes or scrapers that could scratch or dull the surface.

GLASS: To ensure long lasting life for your glass shower products: wipe them off after each use with a soft cloth. Rinse and wipe off the glass using either a soft cloth or a squeegee to prevent soap buildup and water spots (Hard water can etch the surface of the glass over time if left to dry). To prevent scratching the surface: never use abrasive cleaners or cleaning products that contain scouring agents. Never use bristle brushes or abrasive sponges that may scratch the surface.

HARDWARE: To ensure a long lasting finish: wipe off the metal parts after each use with a soft cloth. Do not use abrasive cleaners or cleaning products containing ammonia, bleach or acid. If accidentally used, rinse the surface as soon as possible to prevent damage to the finish (peeling or corrosion). After cleaning the polished finishes, rinse thoroughly and wipe dry with soft cloth. Clean stainless steel surfaces at least once a week. When applying stainless steel cleaner or polish to stainless steel hardware, work with (not across) the grain. Never use an abrasive sponge or cloth, steel wool or wired brush as these may permanently scratch the surfaces.

NOTE: To maximize the life of your door, it is important to regularly inspect the glass and other hardware for misalignment, proper attachment, and/or damage. Contact DreamLine with any questions or concerns.



TEL: 866-731-2244
FAX: 866-857-3638
DREAMLINE.COM

For more information on DreamLine[®] Shower Doors and Enclosure please visit **DreamLine.com**