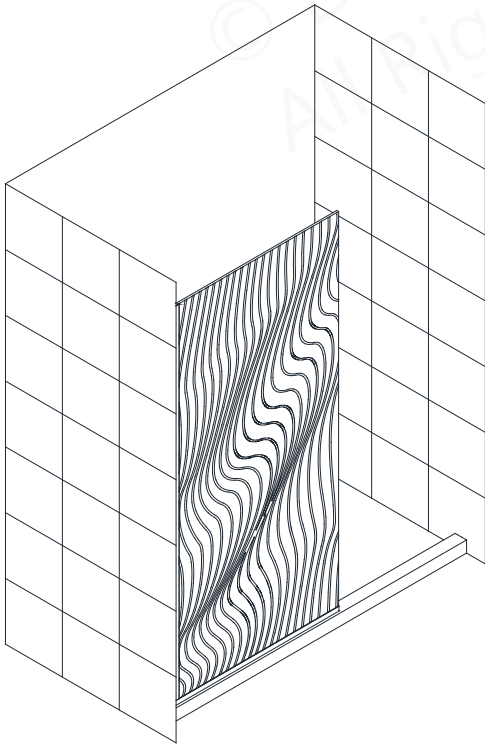
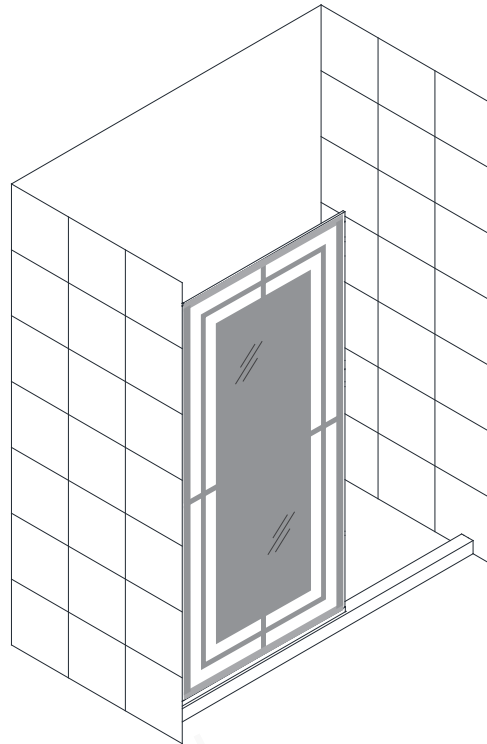


PLATINUM LINEA w/MirrorMax™ SHOWER PANEL GLASS INSTALLATION INSTRUCTIONS

PLEASE REVIEW THIS ENTIRE MANUAL PRIOR TO INSTALLATION



LINEA SURF
D3234721M11-08



LINEA MIRA
D3234721M12-08

*Left-hand panel installation shown

finish - 08
- Polished Stainless Steel

IMPORTANT!

DreamLine® reserves the right to alter, modify or redesign products at any time without prior notice for the purpose of product improvement and customer experience. Please refer to the model's web page on **DreamLine.com** for the latest technical drawings, installation manuals, warranty information or additional product details.

Do Not Return Product to the Store. Contact DreamLine® with any questions



Questions?

Please Call **DreamLine** Customer Support: **1-866-731-2244**
Hours of Operation M-F 8AM - 6PM EST

Support@DreamLine.com





This model is treated with DreamLine's exclusive ClearMax™ Glass technology. This is a specially formulated coating that prevents the build up of soap and water spots.

Install the surface with the ClearMax™ label towards the inside of the shower. Please note that depending on the model, the glass may be coated on either one or both surfaces.

For best results, squeegee the glass after each use and dry with a soft cloth.

Record the following purchase information for your records or in the event you need to contact DreamLine®:

Purchase Order Number _____

Store/Vendor Purchased From _____

Installation Date _____

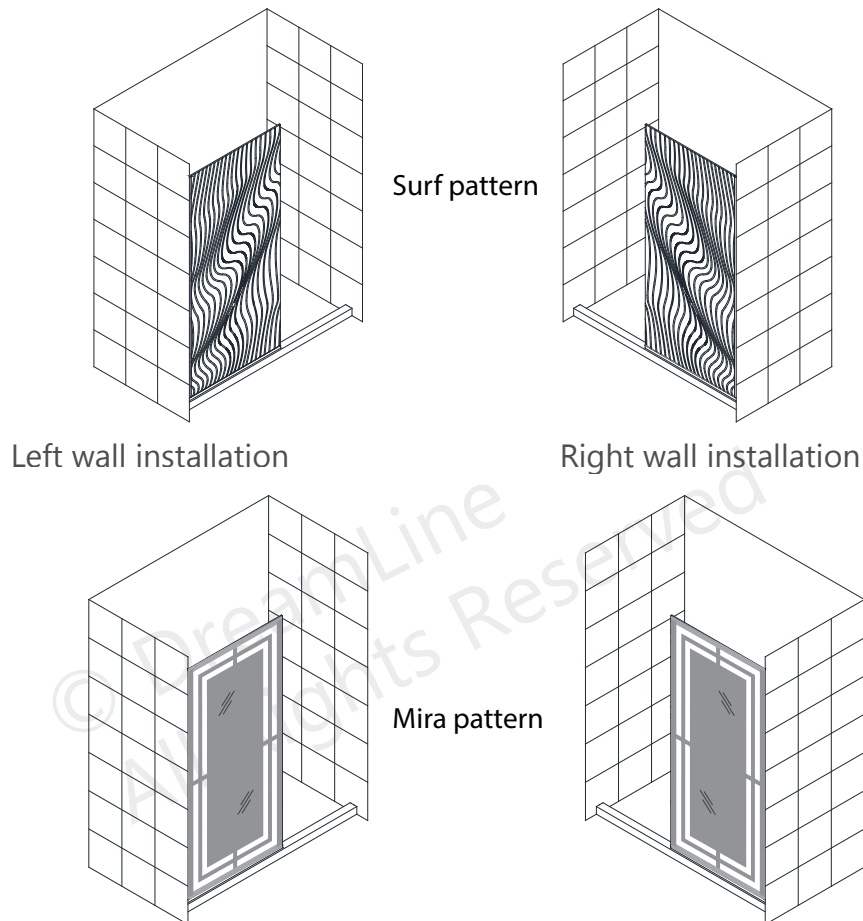
OD Number (optional) _____
*found on the shipping box or label if available.

Installed By: _____

SKU Number _____

Table of Contents

Section Title	Page #
Warnings and General Preparation	2
Model Specific Preparation	3
Tools	4
Detailed Diagram of Shower Panel Components	5
Parts List	5
Model Diagram 1 - Single Panel Installation	6
Model Diagram 2 - 34" Inline Panel Installation	7
Single LINEA Panel Installation Steps	8-12
34" Inline Panel Installation Steps	13-21
Strike Vinyl Installation (for inline panel installation only)	21
Reversible L-Bar™ Support Bracket Installation (for inline panel installation only)	22-24
Reversible L-Bar™ Feature (for inline panel installation only)	25-26
Product Maintenance	27



NOTE: This model is fully reversible. The Left wall installation is shown as an example in the following installation steps. For Right wall installation, simply reverse the orientation of the installation and begin on the opposite wall.



IMPORTANT

- DreamLine® reserves the right to alter, modify or redesign products any time without prior notice for product improvement and customer experience. Please refer to the model's web page on **DreamLine.com** for the latest technical drawings, installation manuals, warranty information or additional product details.
- This product should be installed by someone familiar with the construction requirements for this type of project and the care necessary for the safe installation and operation of the product.
- The safety of any installation is the responsibility of the installer.
- Professional installation recommended. *(All Models)*
- Professional installation required. *(Enigma Series)*
- To prevent damage or serious injury, Do Not lean against the installed panel/door/glass.
- To prevent damage or serious injury: Do Not attempt to lift or move a heavy lite of glass alone. Use an assistant and/or a professional grade glass suction cup.
- The installation of some models may require drilling down into the threshold. Contact the manufacturer of the base, tub, or threshold material with any questions regarding the drilling of holes into their product.
- All drawings in this installation manual are for illustrative purposes only and are not drawn to scale.

TEMPERED GLASS WARNING

- Your Shower Door Glass Could Shatter Without Warning if Improperly Installed or Mishandled
- Do Not install or operate a shower door if the glass has chipped corners, slivered edges or is otherwise damaged and/or has been dropped or banged into a hard surface such as tile, marble or glass.
- **The main causes of tempered glass breakage are:**
 - Improper handling, storage or installation
 - Misuse/abuse
 - Lack of maintenance
 - Failure to replace damaged glass
 - **Improper handling during storage, unpacking and installation:**
 - Corners and edges are the most susceptible area to damage on a lite of tempered glass and should be protected and handled with care during storage, unpacking, installation and operation. A concentrated point of pressure or impact with a surface harder than itself may cause the tempered glass to shatter. The tempered glass may release immediately, within several hours or even days later.
 - **Incorrect installation of door hardware, rollers, hinges, channels, stopper or glass:**
 - Improper installation may include: loose hardware and/or lack of proper gaskets between the hardware and glass. Additionally, improper alignment of guide rails, wall profiles or other hardware during installation or operation may place stress on the glass edges and cause it to break.
 - This product must be installed by a professional and experienced installer familiar with the safe handling of tempered glass.
 - **Improper use of this product:**
 - Aggressively opening or closing the door may cause trauma to the glass, which can lead to breakage. This may occur immediately or hours or even days later.
 - **The shower door hardware and glass should be inspected periodically:**
 - Instruct the homeowner how to perform a periodic inspection of the shower hardware and glass - some minor adjustments may be necessary based upon the use (or misuse) of the shower door. Ensure that the hardware remains tight and that the door alignment and operation are correct. Any adjustments should be made upon discovery to prevent damage to the product.
 - Additional considerations should be given to the installation of frameless tempered glass products in households with young children or an elderly person due to an increased chance of improper handling. In such cases, alternatives such as shower curtains or grab bars should be considered.

GENERAL PREPARATION

- After opening all boxes and packages, read this introduction carefully. Check that all the items are included in the package by marking off the components on the **"Detailed Diagram of Product Components"** page. Examine all boxes and packages for shipping damage. If the unit has been damaged, has a finishing defect, or is missing parts; please contact our Customer Support department within 3 business days of the delivery date. **Please note that DreamLine® will not replace any damaged products or missing parts free of charge after 3 business days or if the product has been installed.** Please contact DreamLine® if you have any questions.
- **Please note that you should refer to your local building codes with questions on installation compliance standards. Building and plumbing codes may vary by location, and DreamLine® is not responsible for code compliance standards for your project and will not accept any returns.**
- If this unit is going to be installed in a new construction, install all the required plumbing and drainage before installing the shower. **Use a competent and licensed (if required by local code) plumber for all plumbing installation.**
- Make sure that prior to beginning the installation, the surfaces are leveled and solid and will be able to support the total weight of the unit. Also make sure the walls are at right angles. Irregular installation surface level, radius corners or improper angle of side walls will result in serious problems for your installation. Please note that some adjustments and drilling will be necessary during the installation process.
- Protect all primary surfaces of the product during installation. Never set your glass down directly onto a tile floor. Leave corner protectors in place until it is necessary to remove them. Always use a piece of wood or cardboard to protect the bottom edge and corners of the glass prior to and during installation.
- This unit must be installed upon a finished threshold and against finished walls.
- *DreamLine® shower doors are not designed to be installed into a fiberglass surround due to the radius corners and lack of a solid surface to mount the hardware.*

WARNING: TO AVOID THE RISK OF DAMAGE OR INJURY:

- **Follow all recommendations and requirements as shown in the installation instructions.**
- Perform a thorough inspection of the glass and all parts for any damage prior to installation. Any damage to tempered glass can cause breakage.
Do Not install damaged glass!
- Do Not install or operate a shower or tub door if the glass has chipped corners, slivered edges or is otherwise damaged. Do Not install or operate a shower or tub door that has been dropped or banged into a hard surface such as tile, marble or glass.
- **CAUTION:** Contact with any hard surface can damage tempered glass and cause it to shatter.
- This product uses tempered glass. Glass cannot be cut after it has been tempered.
Do Not attempt to cut tempered glass.
- DreamLine® Glass Shower doors, Tub doors, Inline panels, and Return panels can shatter due to improper handling or lack of maintenance. Conduct periodic inspections of glass and all parts for possible damage, missing or loose parts.
- Always wear proper safety equipment such as: safety goggles, work gloves and appropriate footwear during the installation process.
- **WARNING. Risk of leakage and/or damage.** Follow all instructions regarding the application of silicone sealant or caulk. Allow 24 hours for the sealant to cure before the initial use of the shower or tub product. Follow the silicone manufacturer's recommendations regarding the use of their product.
- **Thoroughly read these instructions before installing or using this product.**
- **Leave this manual for the end-user of the product.**



This product should be installed by someone familiar with the construction requirements for this type of product and the care necessary for the safe installation and operation of the product.

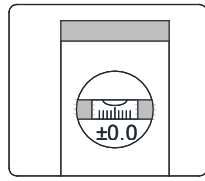


Professional Installation recommended.

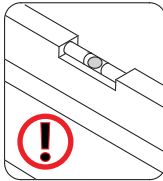
Model Specific Preparation

! REQUIRED:

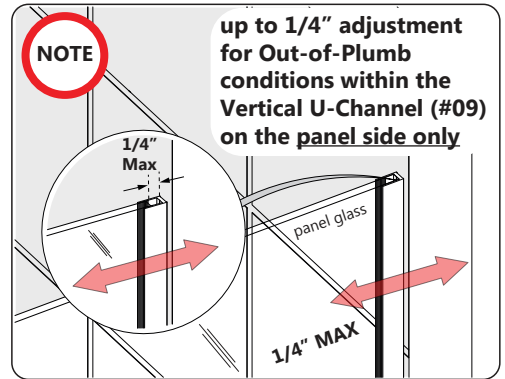
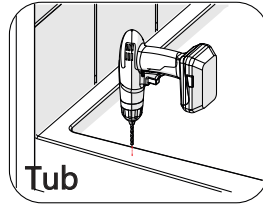
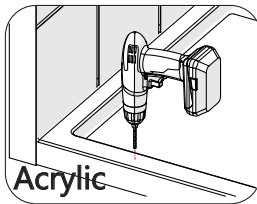
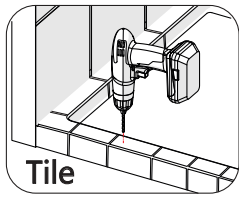
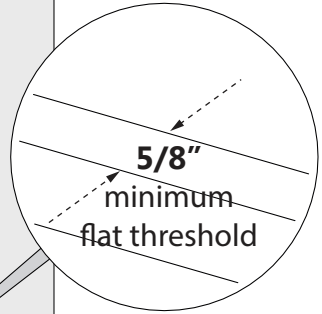
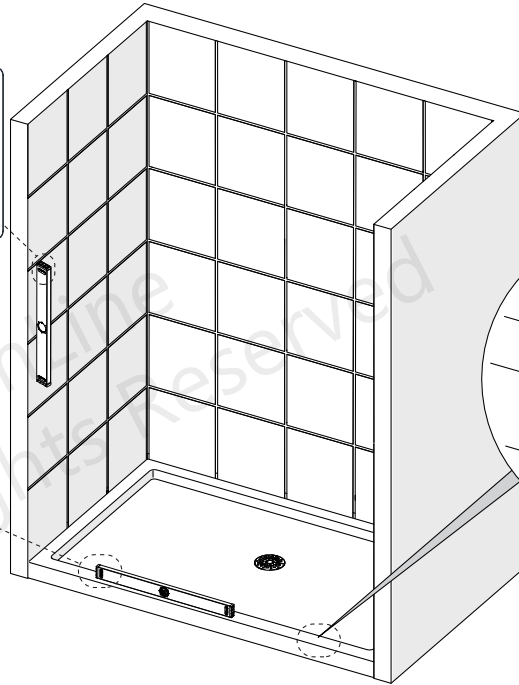
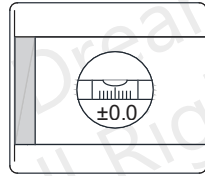
1/4" Out-of-Plumb Adjustment on Panel Side; Verify threshold and walls with a level



Threshold must be level



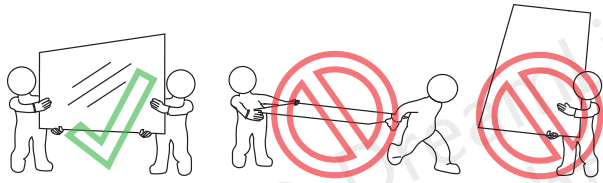
Threshold must be level



*right-hand inline panel glass installation shown



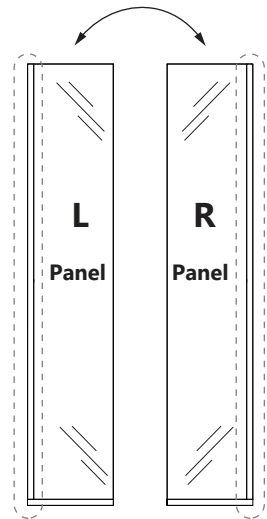
Contact the manufacturer of the base, tub or threshold material with any questions regarding the drilling of holes into their product.



! This door recommends professional installation. Two installers recommended.

NOTE *right-hand orientation shown

This manual will describe the Inline Panel installation using the Reversible L-Bar™ in the right-handed orientation (as shown above). To reverse the L-Bar™ orientation please refer to pages 25-26.

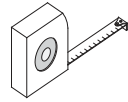


This Inline Panel is reversible for right or left inline panel installation. The right-hand inline panel installation is shown as an example throughout this manual. For the left-hand inline panel installation, simply begin on the opposite wall and reverse the orientation of the installation steps shown.

Tools



Level



Tape Measure



Pencil



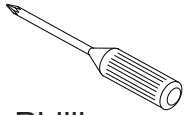
Drill bit
Ø5/16"
(8mm)



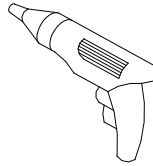
Drill bit
Ø3/16"
(4.5mm)



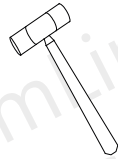
Drill bit
Ø1/8"
(3mm)



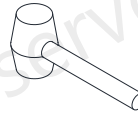
Phillips
Screwdriver



Power
Drill



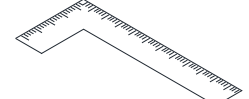
Hammer



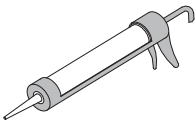
Mallet



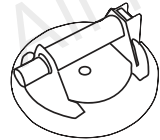
Wood



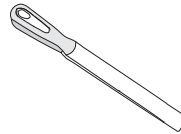
Carpenter's
Square



Silicone



Professional grade
Glass suction cup



Metal File



Work Gloves



Safety Glasses



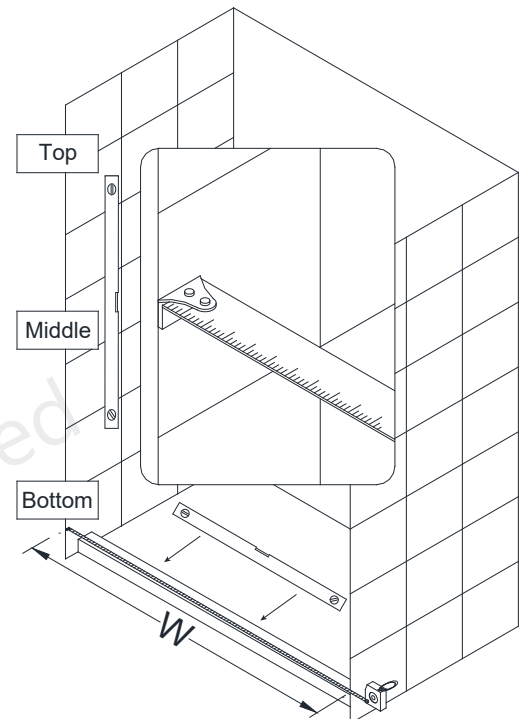
Measure the finished opening before proceeding with the installation to be sure that the correct model size has been ordered.



Cover the shower drain with tape prior to installation to prevent the loss of screws or small parts.

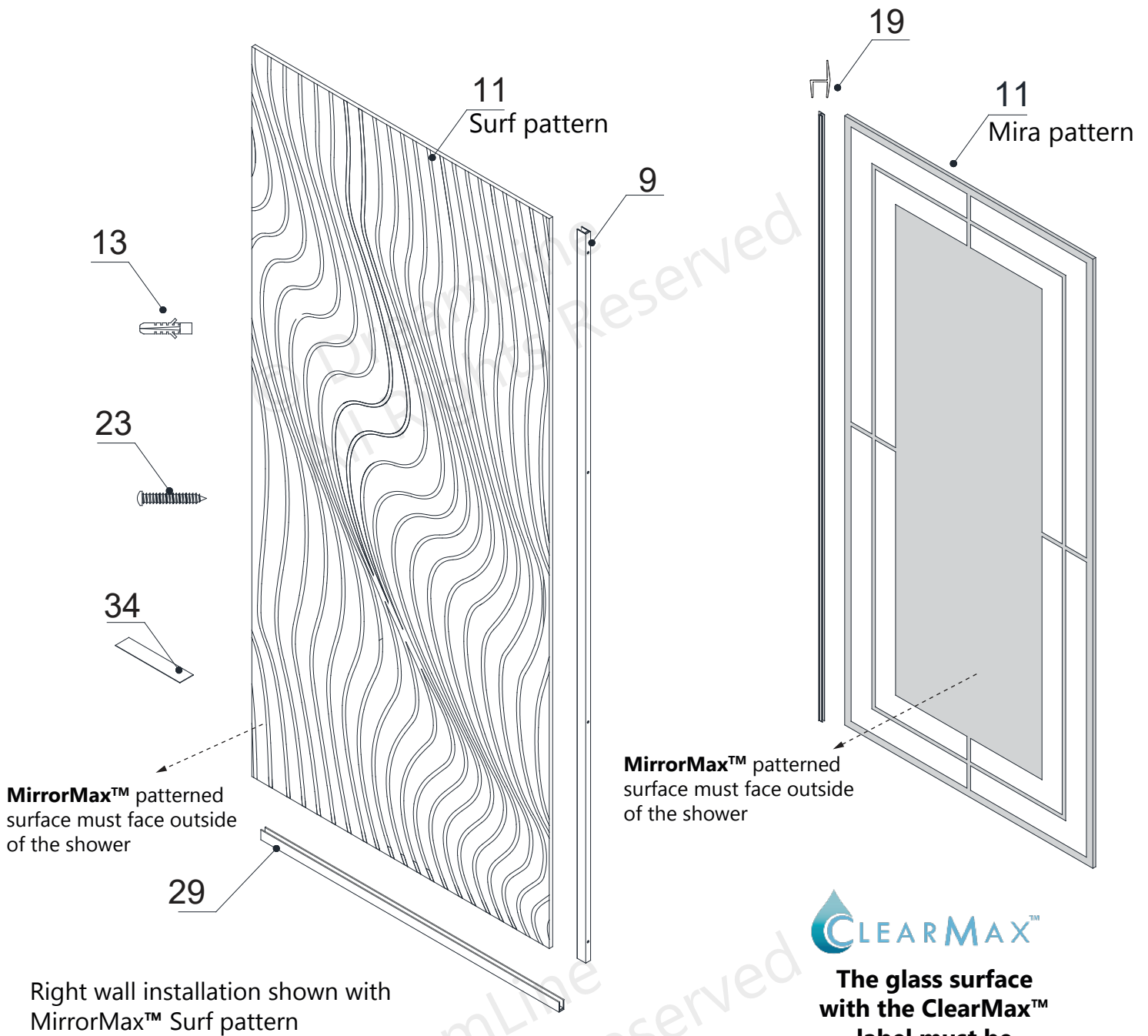


To prevent stripping the screw heads, set power drill to a low setting when installing screws.



Unpack your unit carefully and inspect it. Lay it out and identify all parts using the **Detailed Diagram** on page 7; and packing list in this manual as a reference. Before discarding the carton, check for small hardware bags that may have fallen to the bottom of the box. If any parts are damaged or missing, please contact DreamLine® for replacement. The shipping boxes may contain extra parts not used in your model configuration. Retain these installation instructions for future reference.

Detailed Diagram of shower panel components



Parts List

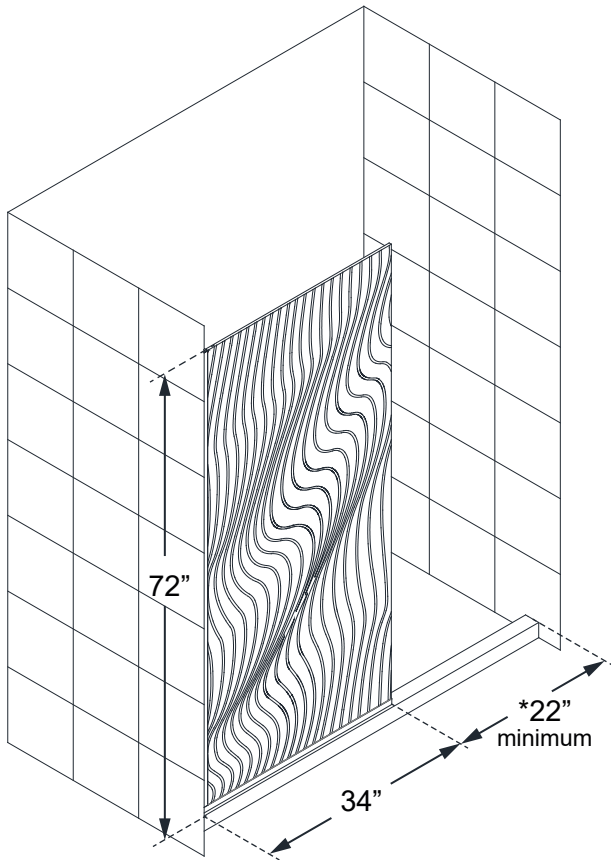
Item#	Part#	DESCRIPTION	Qty	Item#	Part#	DESCRIPTION	Qty
09	07121132	Vertical U-Channel (71")	1pc	29	07121062	Bottom U-Channel (34")	1pc
11	010137078	Stationary Glass (Surf pattern)	1pc	34	07551083	0.5mm PVC Glass Spacer (36")	1pc
	010137137	Stationary Glass (Mira pattern)	1pc	19*	063010100-1829	180° Strike Vinyl for 10mm Glass	1pc
13	07556045	Ø5/16" Wall Anchor	8pcs	30*	07121150	L-Bar Support Bracket 18"	1pc
23	091107	ST4.0x40 Pan Head Screw	8pcs		07124150		
					07126150		
					07129150		



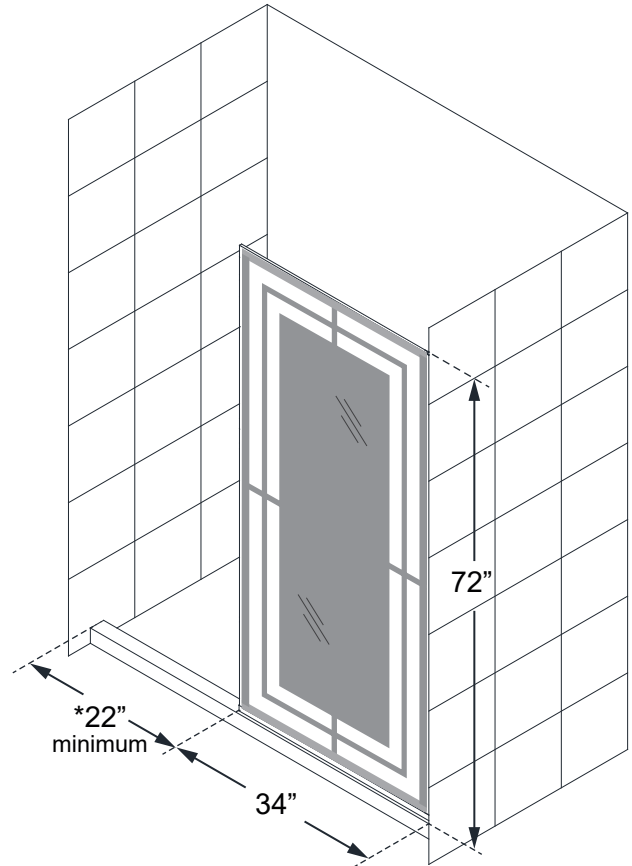
*Strike Vinyl and L-Bar Support Bracket - used with Inline Panel installation Only

Model Diagram 1

Platinum Linea Panel (single panel models)-- see pages 8-12



Surf pattern
Left wall installation



Mira pattern
Right wall installation



***22" minimum access space recommended
when installed as a Platinum Linea Panel**



NOTE: It is recommended to install this 34" x 72" stationary panel into a finished opening (>56") that will allow for at least 22" of unobstructed access into the shower area.

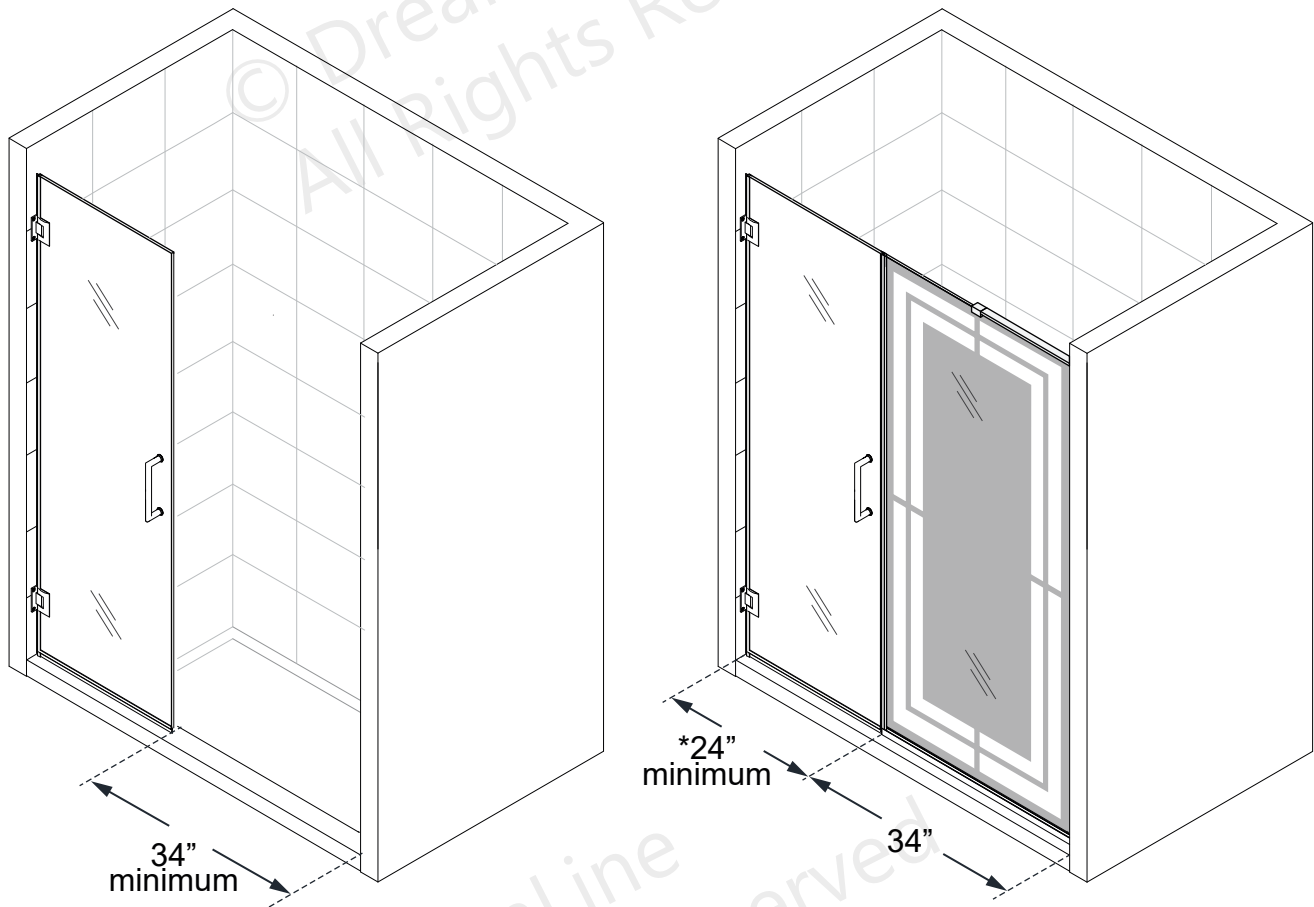
Model Diagram 2

34" Inline Panel (Door + panel models)-- see pages 13-21

NOTE

NOTE: When installing the Platinum Linea as an Inline Panel, install the shower door first, then follow the Inline Panel Glass installation instructions (see pages 13-21). Refer to the Single Shower Door installation manual included in the door packaging for complete shower door installation instructions and then follow this Manual for proper alignment and installation of the Inline Panel.

Before beginning the installation, recheck the finished opening size. Specific model size information can be found on **DreamLine.com**.



*Left-hand Door installation shown



***24" minimum access space required when installed as an Inline Panel along with a Unidoor.**

Single Panel Installation steps

NOTE:

- Follow steps# **1 - 5** (pages 8-12) for a **Single Panel** installation (without a Door)

1. Position the **Bottom U-Channel (34") (#29)** onto the threshold, parallel to the outside edge. Mark the position of the U-channel and mark the position of the holes for drilling. Use at least 3 holes for the **Bottom U-Channel (34") (#29)**: one near each end and one near the center.

For installation into an Acrylic threshold:

- Drill an **Ø1/8" (3mm)** hole.

For installation into an Tile threshold

• Drill a **Ø3/16" (4mm)** hole up to the stud, drill an **Ø1/8" (3mm)** pilot hole into the stud. (Fig 1b.3)

• Apply a bead of silicone to the bottom of the **Bottom U-Channel (34") (#29)** and attach it to the threshold using the **ST4.0 x 40 Pan Head Screws (#23)**. (Fig 1a and Fig 1b)

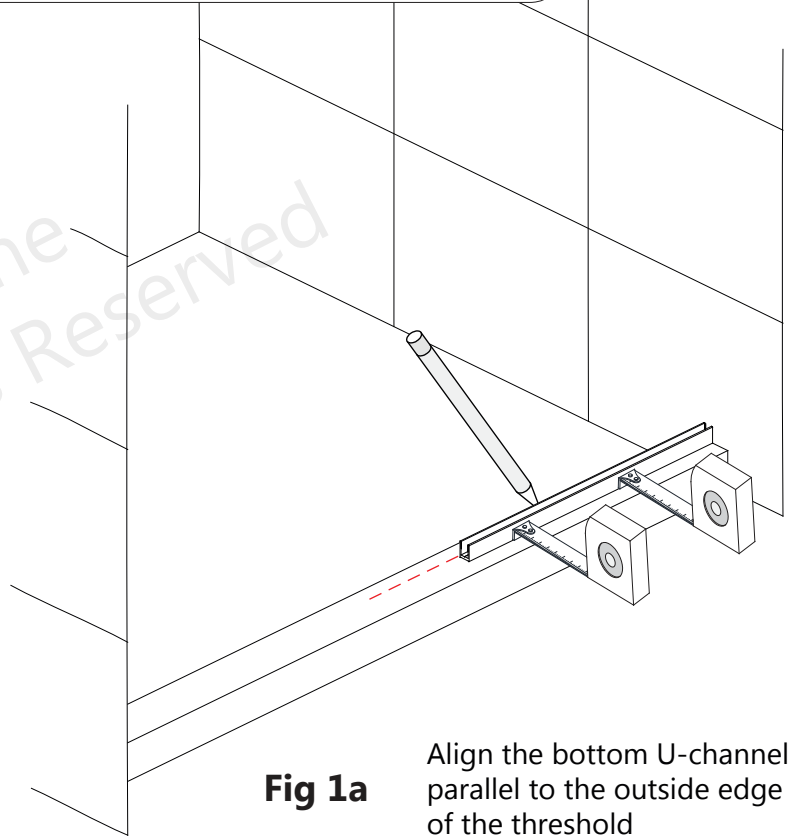


Fig 1a

Align the bottom U-channel parallel to the outside edge of the threshold

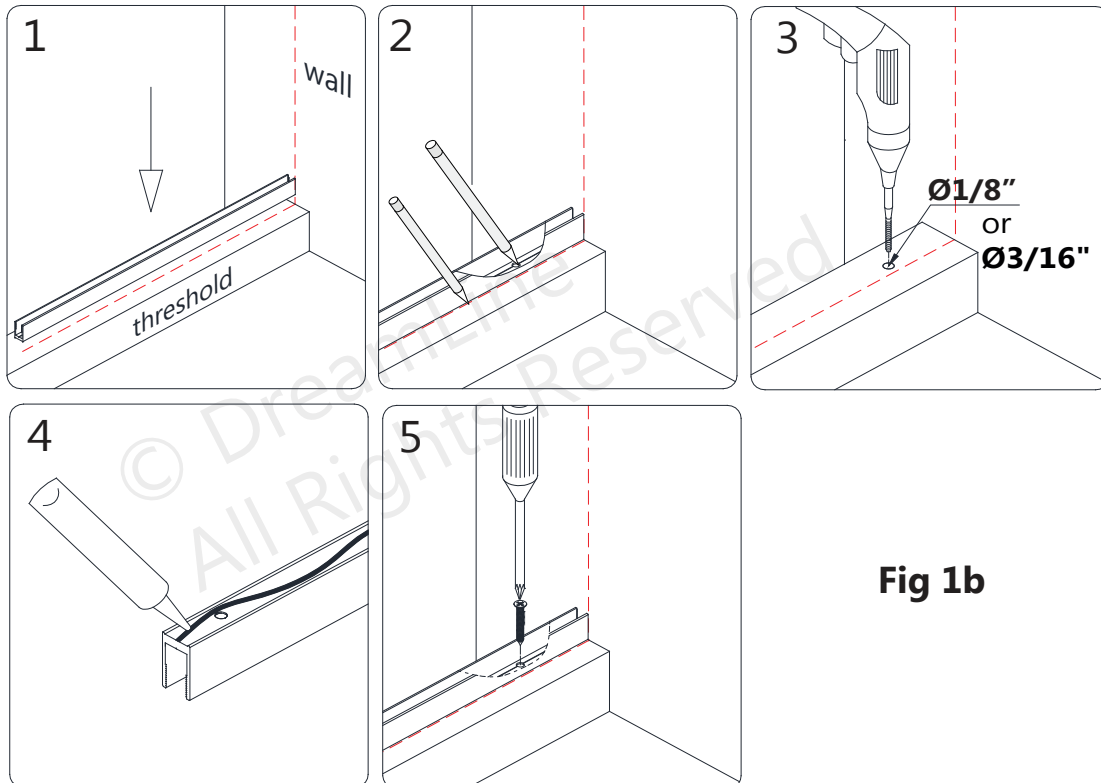


Fig 1b

2. Position the **Vertical U-Channel (71") (#09)** on top of the installed bottom U-channel. Use a level to plumb the **Vertical U-Channel (71") (#09)** and mark the positions of the holes for drilling. You need to use at least four holes for the **Vertical U-Channel (71") (#09)**.

***NOTE:**

▪ **If a stud is present behind the wall:**

drill a $\text{Ø}3/16''$ (4mm) hole up to the stud and drill an $\text{Ø}1/8''$ (3mm) pilot hole into the stud.

OR

▪ **If no stud is present behind the wall:**

drill a $\text{Ø}5/16''$ (7mm) hole and insert the **Wall Anchors (#13)**.

Apply silicone to the back of the **Vertical U-Channel (71") (#09)** and attach it to the wall using the **Pan Head Screws ST4.0 x 40 (#23)**. (Fig 2)

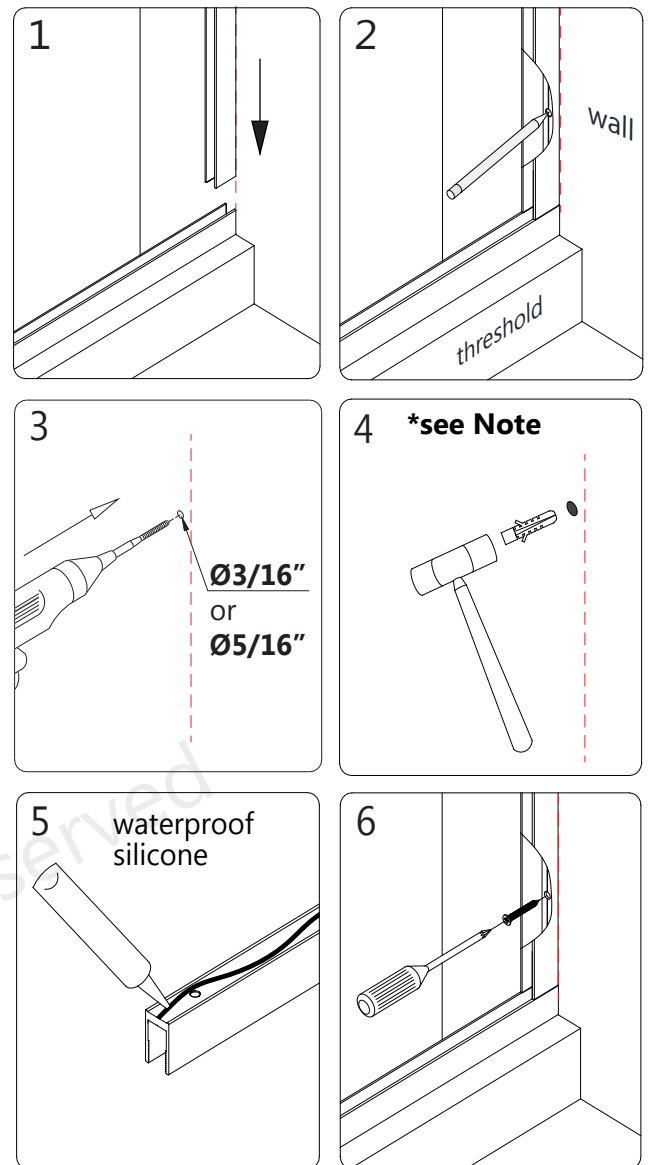
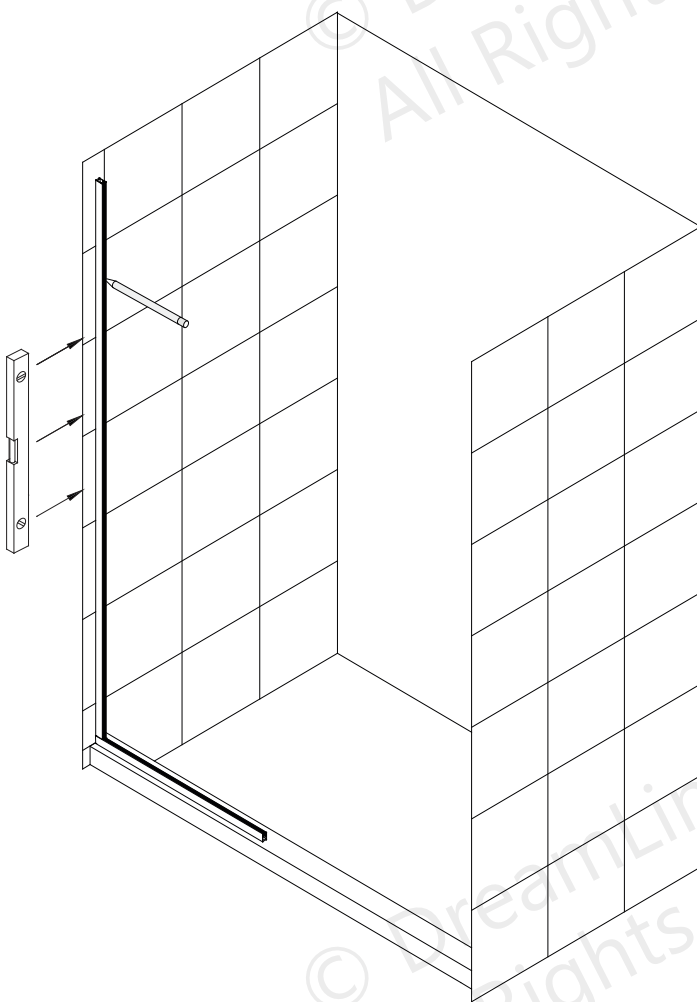
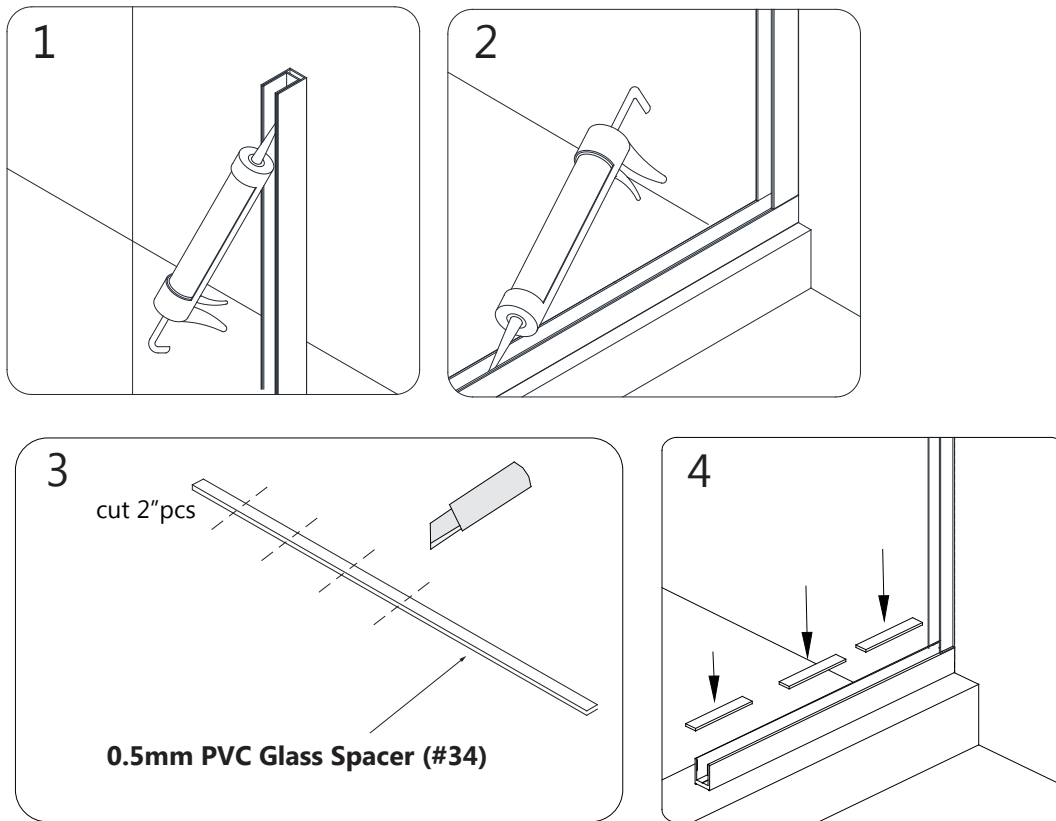


Fig 2

3. Apply a good quality mildew-resistant silicone into both U-Channels.
Trim the **0.5mm PVC Glass Spacer (#34)** into several 2" pieces.
Add several 2" pieces of the **0.5mm PVC Glass Spacer (#34)** into the **Bottom U-Channel (34") (#29)** to protect the bottom edge and corners of the glass. **(Fig 3)**



! DO NOT install one long continuous strip of the PVC Glass Spacer into the bottom rail.

Fig 3



NOTE:

- Install the glass surface with the **MirrorMax™** pattern toward the outside of the shower.
- The glass surface with the **CLEARMAX™** label must be installed to face inside of the shower

4. Install the **Stationary Glass (#11)** into the **Vertical U-Channel (71") (#09)** and then slide it down into the **Bottom U-Channel (34") (#29)**. Apply a dab of silicone to the exposed end of the **Bottom U-Channel (34") (#29)**. (**Fig 4**)

! **NOTE:** If necessary, add additional 2" pieces of the **0.5mm PVC Glass Spacer (#34)** into the **Bottom U-Channel (34") (#29)** to level the glass. **Do not exceed 1/4" of adjustment.**

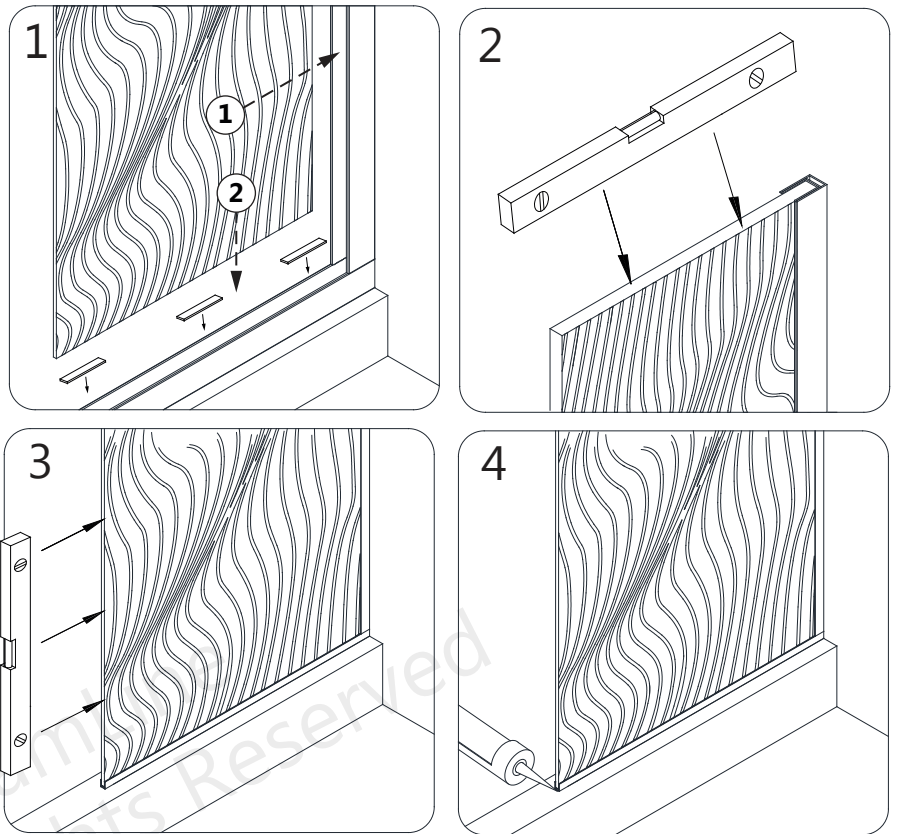


Fig 4

5. Apply a good quality mildew-resistant/waterproof silicone along the connection of both **U-Channels** to the wall and threshold on the inside of the shower. **(Fig 5)**

NOTE: The surfaces need to be clean and free of debris before applying silicone.



Allow 24 hours for the silicone to fully cure before using the shower.

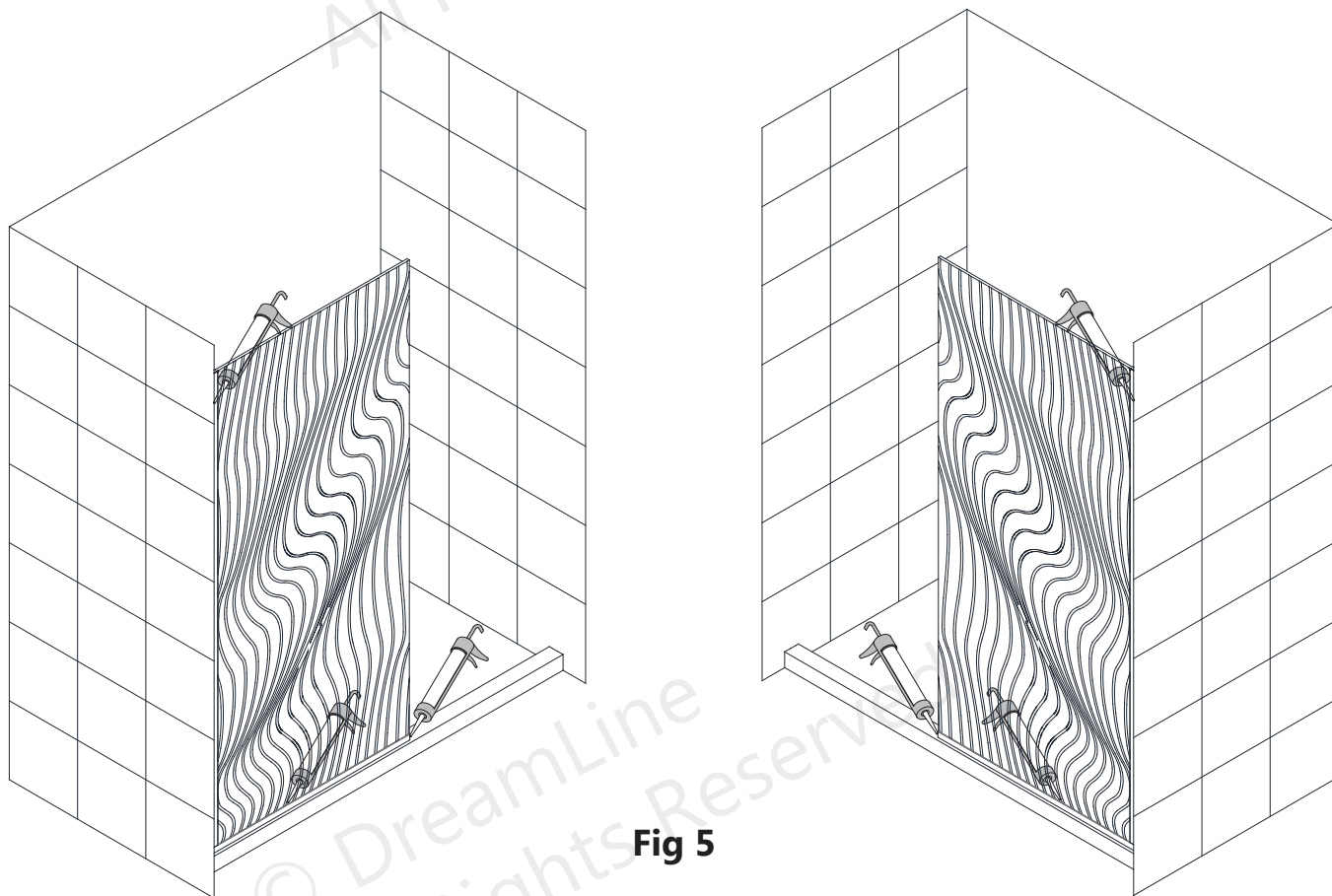
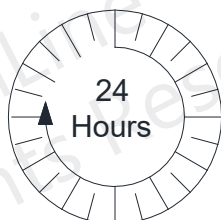


Fig 5

Inline Panel Installation Steps

NOTE:

- Follow steps# **1 - 11** (pages **13-21**) for alignment and installation as an **Inline Panel** (with a door)

1. Align the **Door** so that it is perpendicular to the wall and parallel with the outside of the threshold. Mark a line on the threshold for reference. Open the door to allow space for the panel installation. **(Fig 1)**

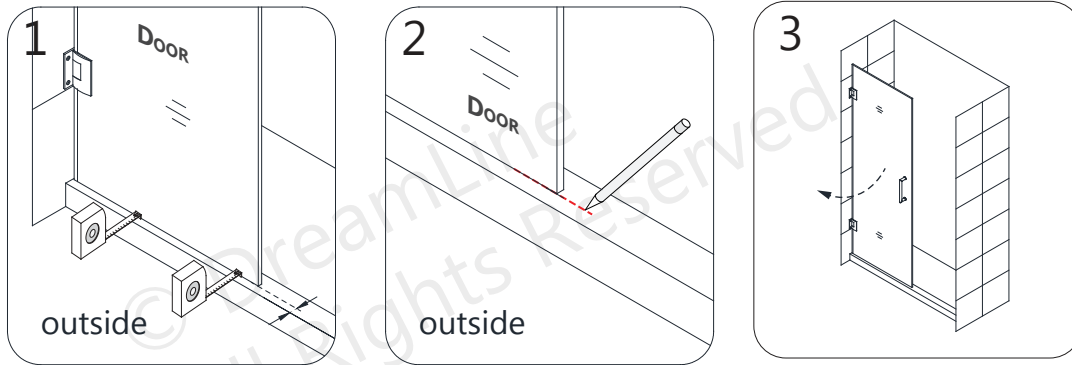


Fig 1

2. Press the **180° Strike Vinyl (#19)** onto the vertical edge of the **Panel Glass (#11)**. (This will protect the edge of the panel glass and allow for proper spacing with the door glass). **(Fig 2)**

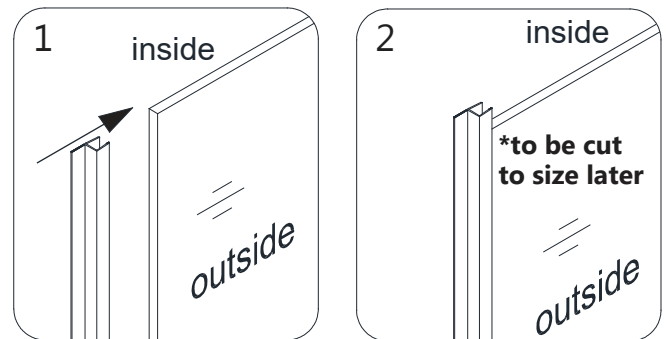


Fig 2

3. Slide the **U-Channels** onto the **Panel Glass**.

Carefully position the **assembled panel** onto the threshold and against the wall. Push the **Wall Profile (#09)** tight to the wall while holding the panel tight to the threshold. **(Fig 3)**

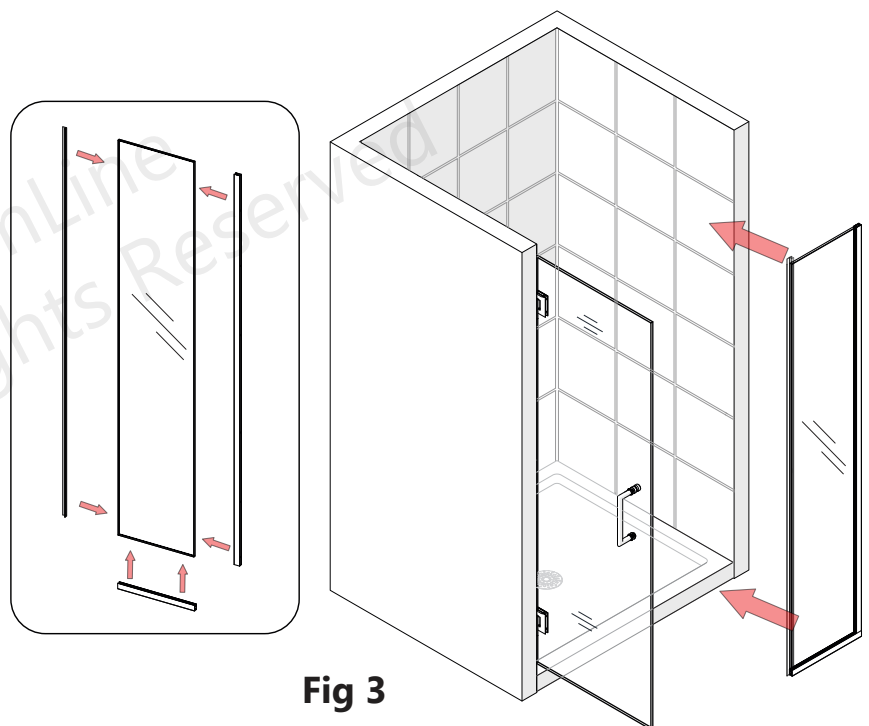


Fig 3

4. Close the **Door** and align the **Panel Glass (#11)** with the **Door Glass**. Use the reference mark on the threshold (from **Step #1**) to confirm that the **Door** is perpendicular to the wall. Adjust the position of the **Panel Glass (#11)** so that the **180° Strike Vinyl (#19)** makes contact with the **Door Glass** from top to bottom and creates a seal.

Mark the position of the **U-Channels** on the wall and threshold. **(Fig 4)**

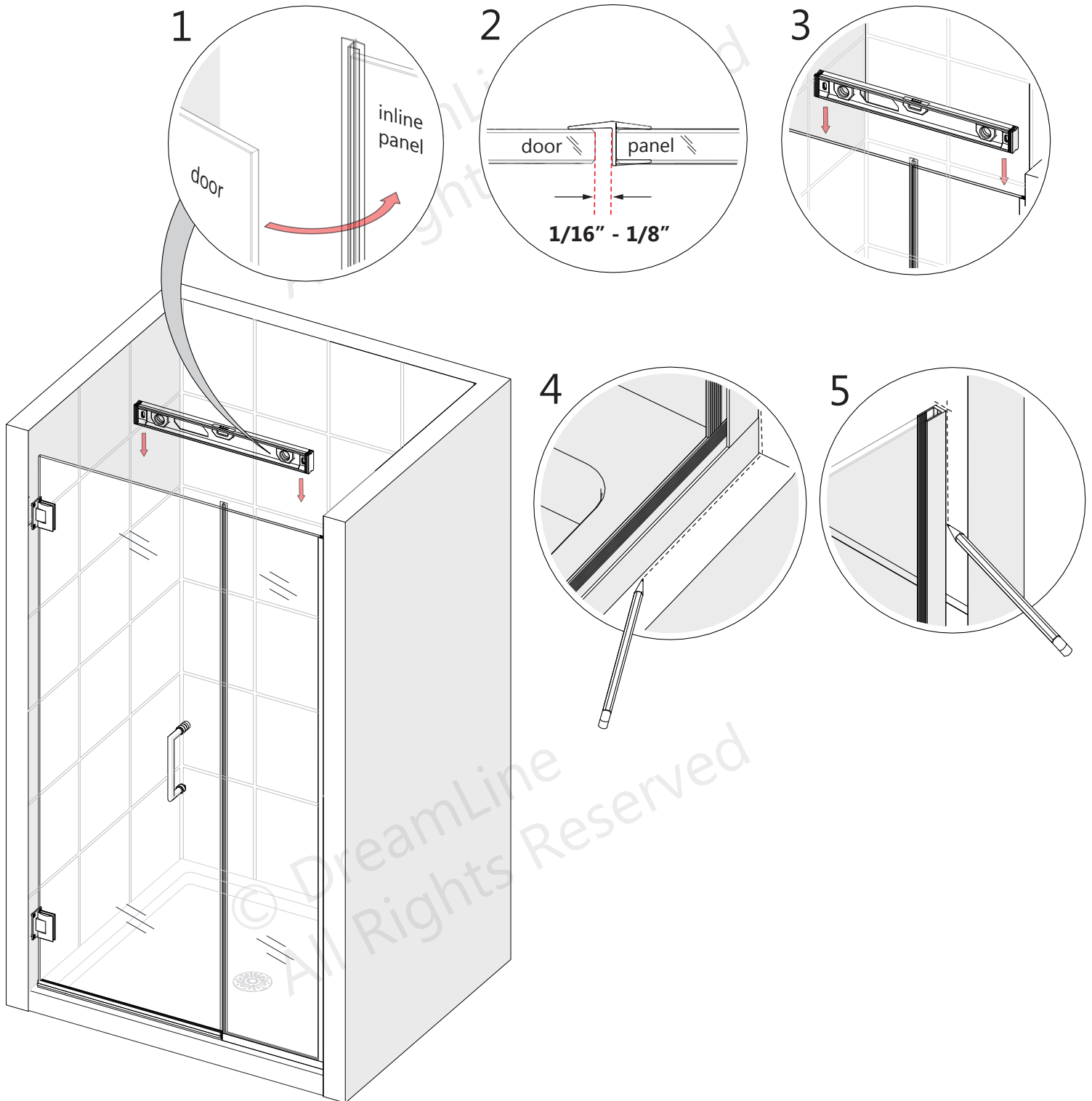


Fig 4

5. Remove the Panel Glass and the PVC Glass Spacers from the Bottom U-Channel (#29). (Fig 5a and Fig 5b)

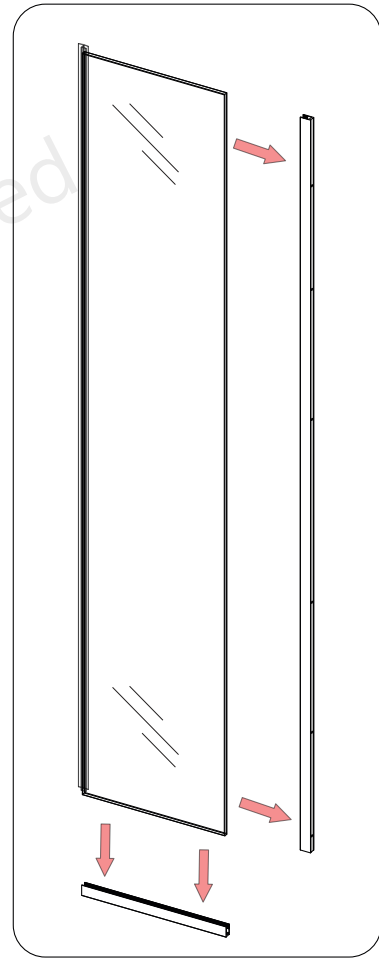
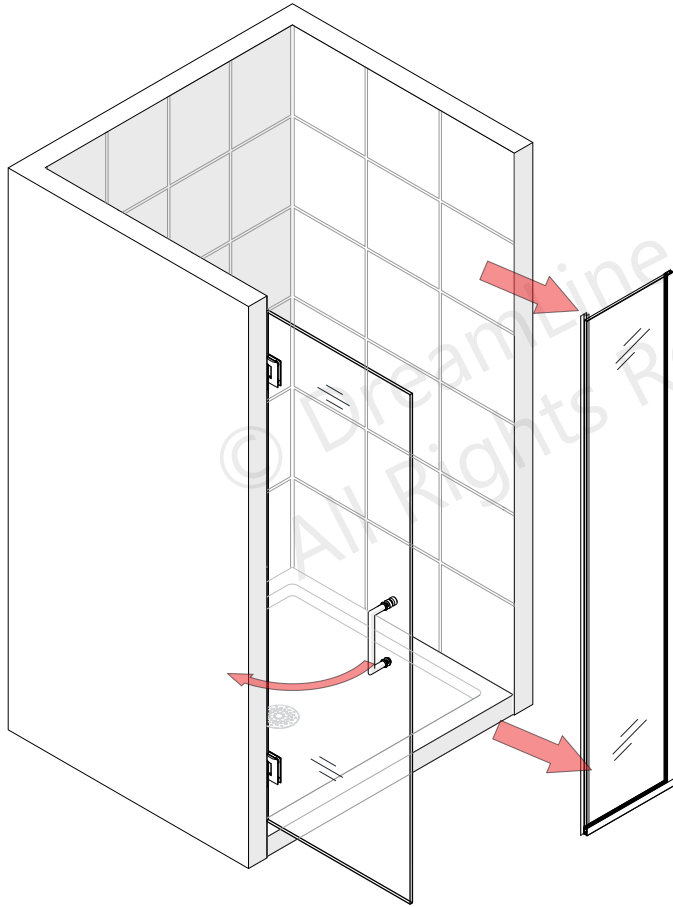


Fig 5a

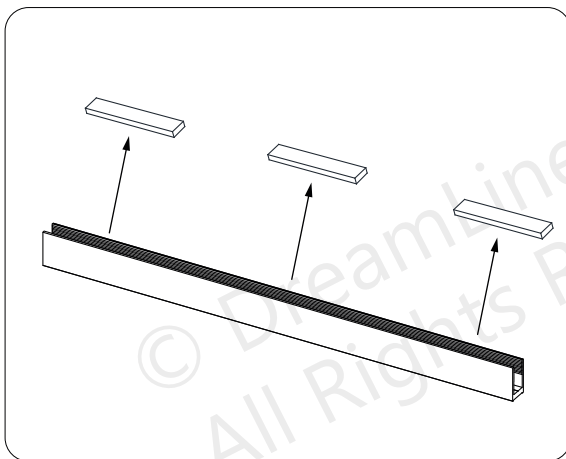


Fig 5b

6. Place the **Wall Profile (#09)** back onto the outlined position on the wall and mark the holes for drilling through the predrilled holes in the **Wall Profile (#09)**. (**Fig 6**)

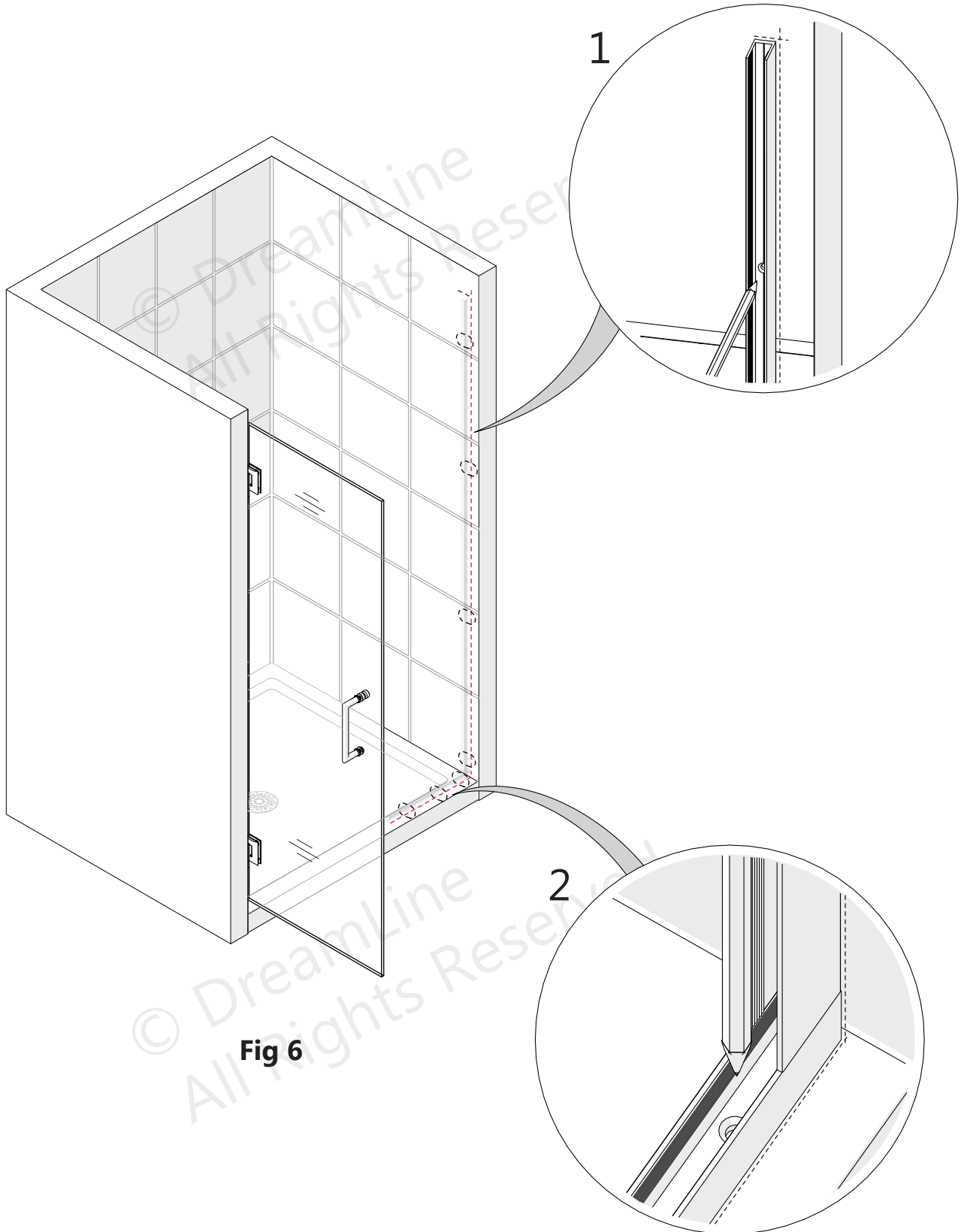


Fig 6

7. For installation into an Acrylic threshold:

- drill an $\text{Ø}1/8''$ (3mm) hole.

OR

▪ For installation into a Tile Threshold:

- drill a $\text{Ø}3/16''$ (4mm) hole up to the stud, drill an $1/8''$ (3mm) pilot hole into the stud. (Fig 7)

Add a bead of silicone to the back surface of the **U-Channel (#01)** and attach it to the wall using four of the **ST4.0 x 40 Pan Head Screws (#23)**. (Fig 7)

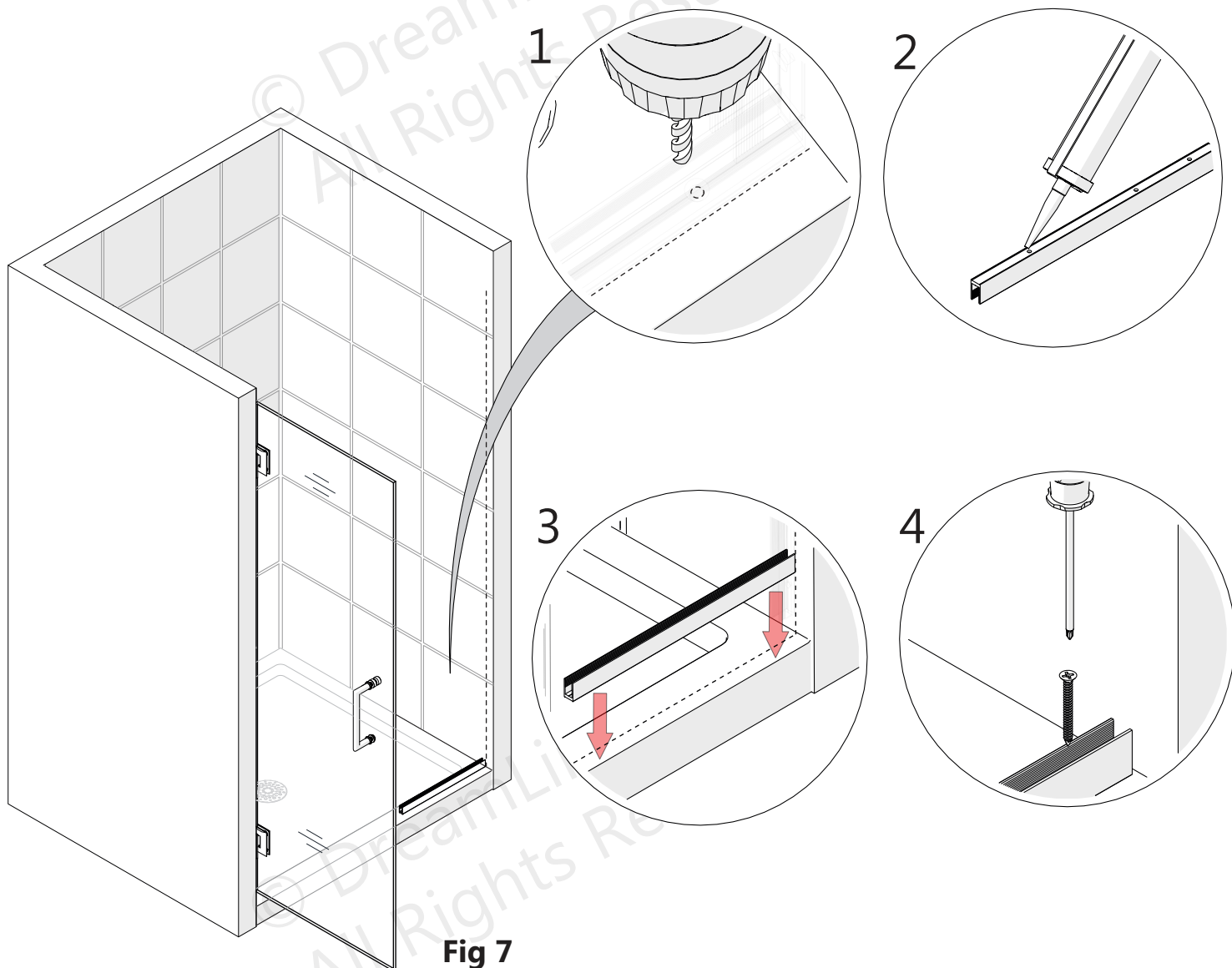


Fig 7

8. For installation of the Vertical U-Channel:

▪ **If a stud is present behind the wall:**

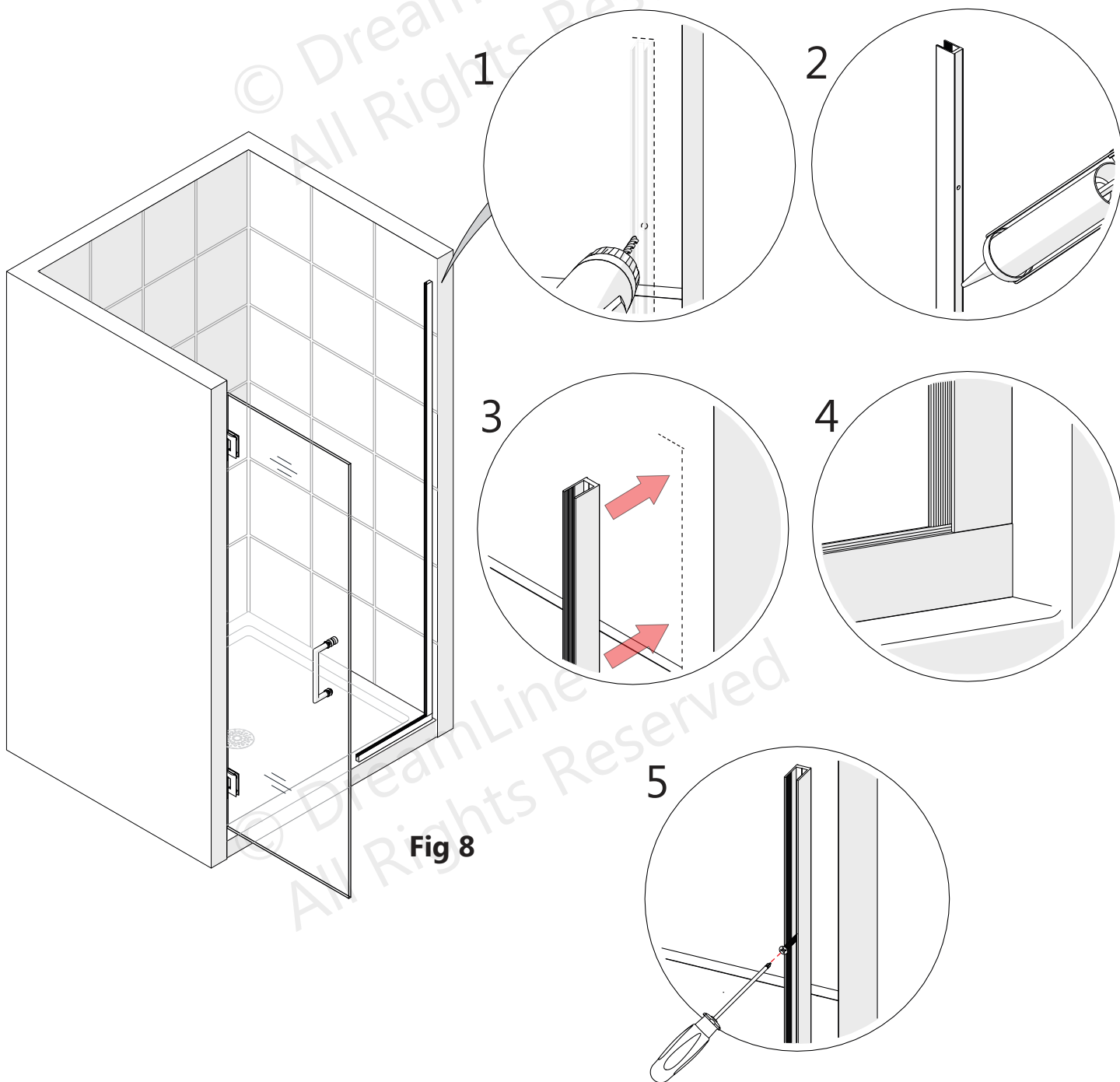
drill a $\text{Ø}3/16''$ (4mm) hole up to the stud, drill an $1/8''$ (3mm) pilot hole into the stud.

OR

▪ **If No stud is present behind the wall:**

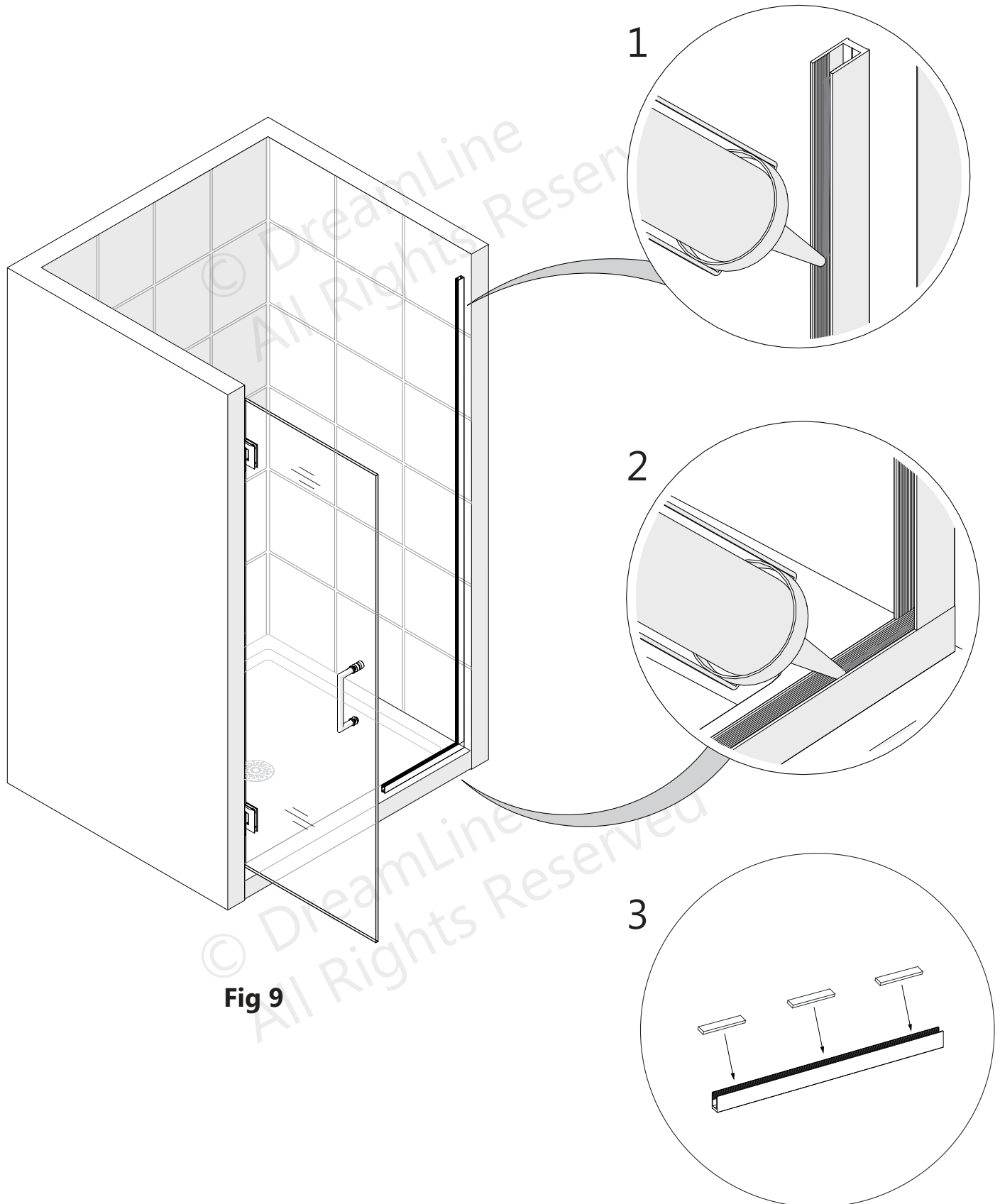
drill a $\text{Ø}5/16''$ (7mm) hole and insert the **Wall Anchors (#13)**.

Add a bead of silicone to the back surface of the **U-Channel (#01)** and attach it to the wall using four of the **ST4.0 x 40 Pan Head Screws (#23)**. (Fig 8)



9. Apply silicone into the **U-Channels (#01)**.

After applying silicone into the **Bottom U-Channel** install several 2" - 3" pieces of the **PVC Glass Spacer 0.5mm (#34)** into the **Bottom U-Channel (#29)** to protect the bottom edge and corners of the glass. **(Fig 9)**



10. Install the **Panel Glass (#11)** into the **Vertical U-Channel (71") (#09)** and then slide it down into the **Bottom U-Channel (34") (#29)**. Apply a dab of silicone to the exposed end of the **Bottom U-Channel (34") (#29)**. (Fig 10)



Use Caution not to bang the glass into the U-channel or threshold.

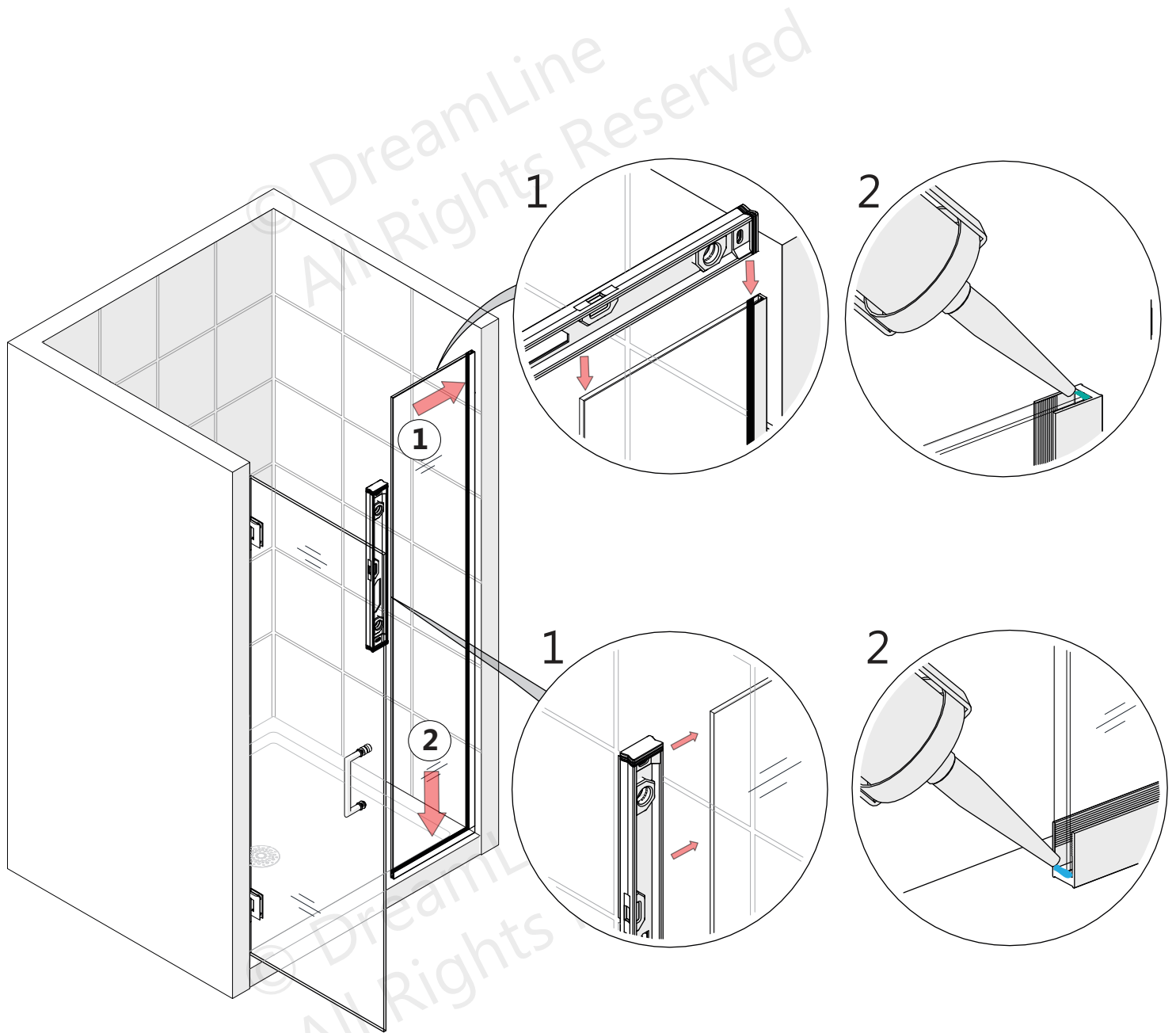


Fig 10

180° Strike Vinyl Installation

11. Notch the bottom of the **180° Strike Vinyl (#19)** to fit around the **U-Channel (#29)**. Press the **180° Strike Vinyl (#19)** firmly on to the edge of the **Panel Glass (#11)**. **Fig 11)**

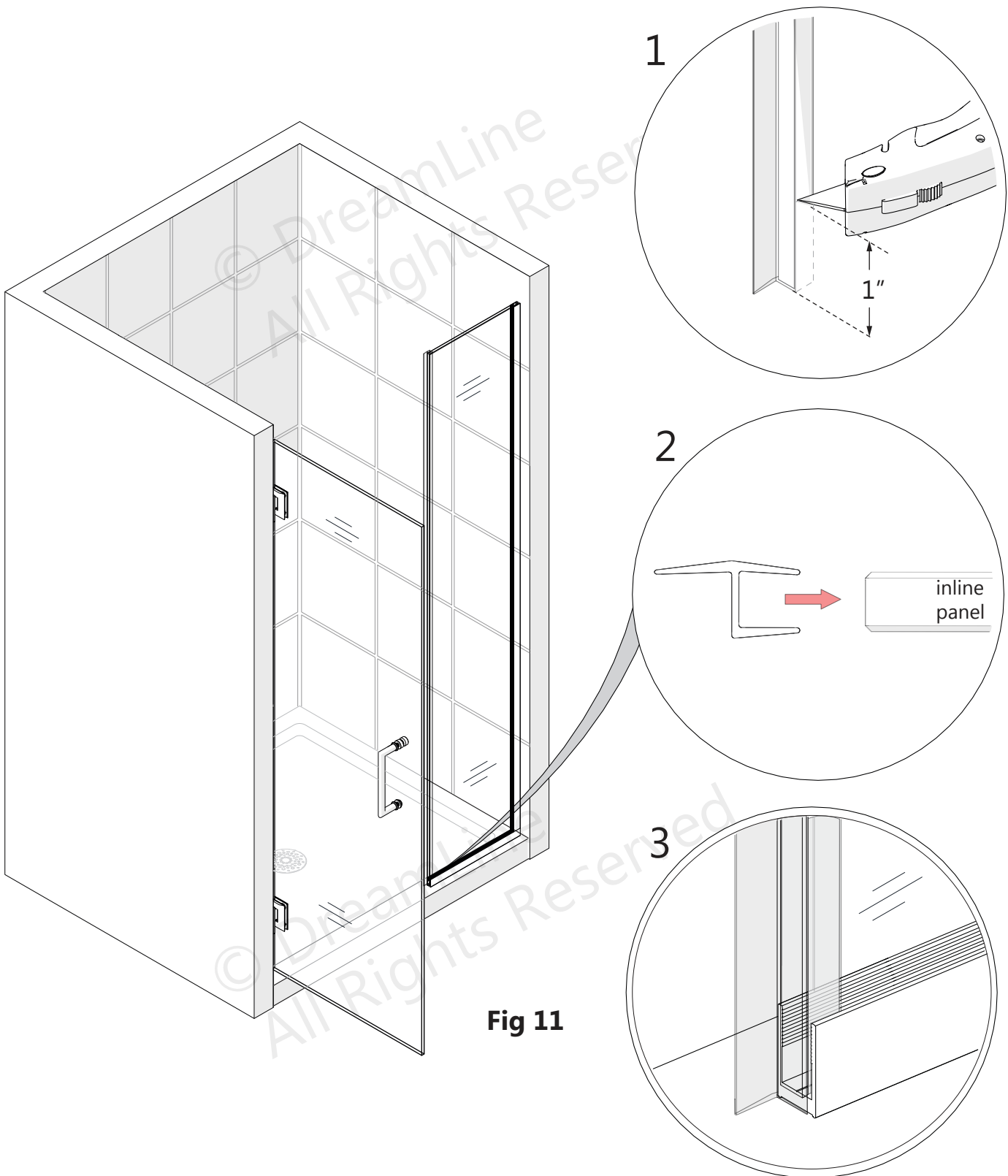
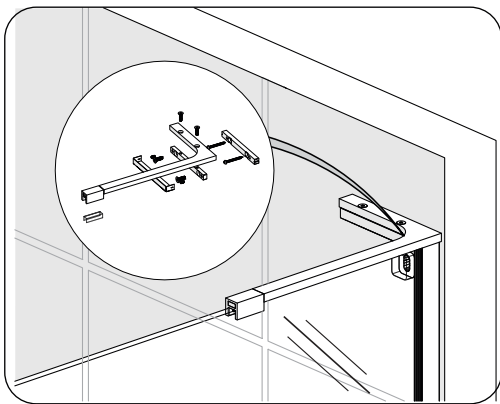
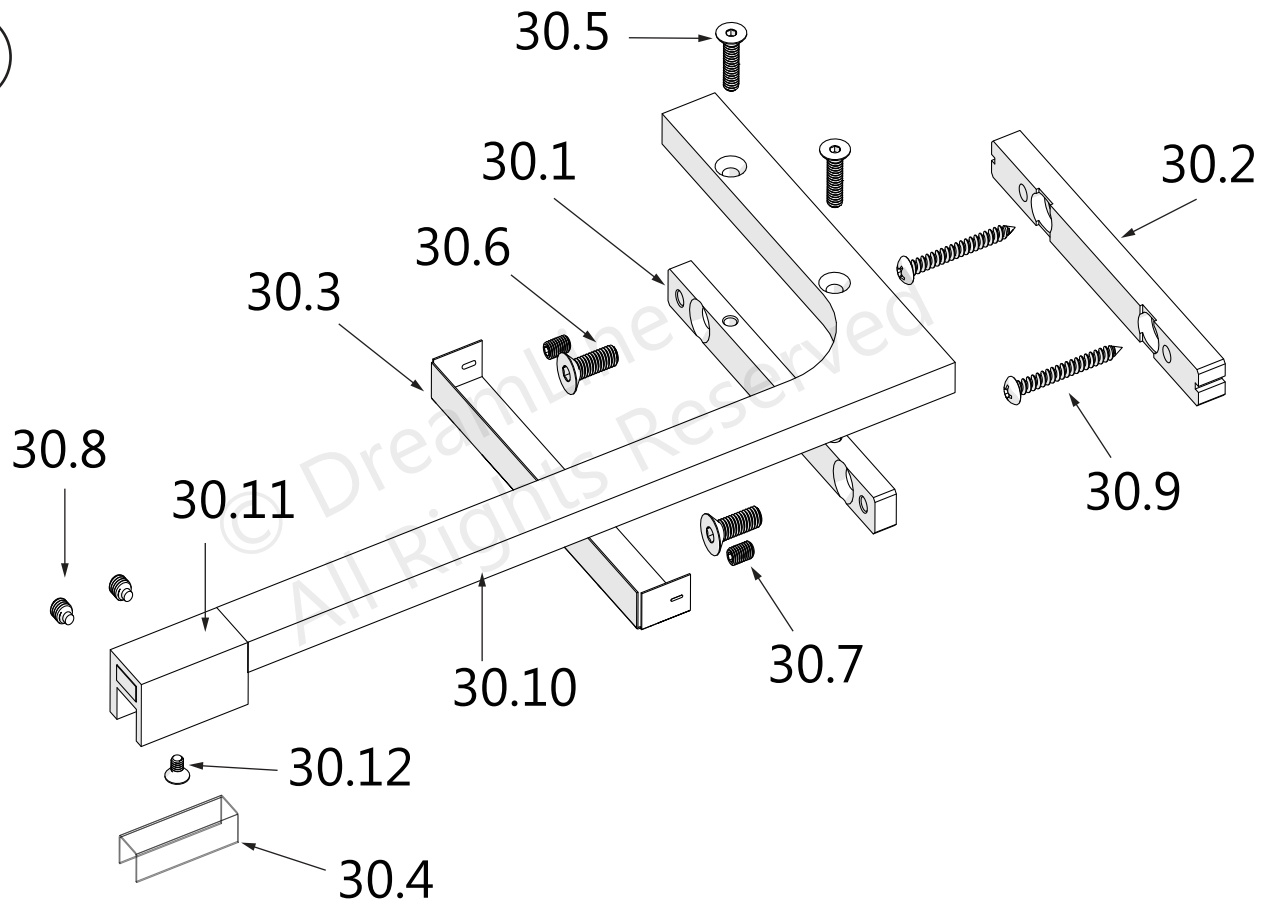


Fig 11

Reversible L-Bar™ Support Bracket Installation

30



Right-handed orientation shown*

Fig 12

Item	Item Description	Quantity
30.1	Reversible L-Bar™ Adjustable Bracket	1pc
30.2	Reversible L-Bar™ Wall Bracket	1pc
30.3	Reversible L-Bar™ Decorative Cover	1pc
30.4	Sheet Vinyl Gasket	1pc
30.5	M5×18 Screw	2pcs
30.6	M6×18 Screw	2pcs
30.7	M5×8 Set Screw	2pcs
30.8	M6×6 Rubber-Tipped Set Screw	2pcs
30.9	Truss Head Screw ST4.2×40	2pcs
30.10	Reversible L-Bar™ Body	1pc
30.11	Reversible L-Bar™ Glass Holder	1pc
30.12	M4×6 Screw	1pc



12" L-Bar™ for 48" model
18" L-Bar™ for 54" & 60" models

The L-Bar™ (#30) is reversible. All images shown are in the right-handed orientation as an example. **To reverse the orientation of the L-Bar® (#05), refer to pages 25-26 for further instructions.**

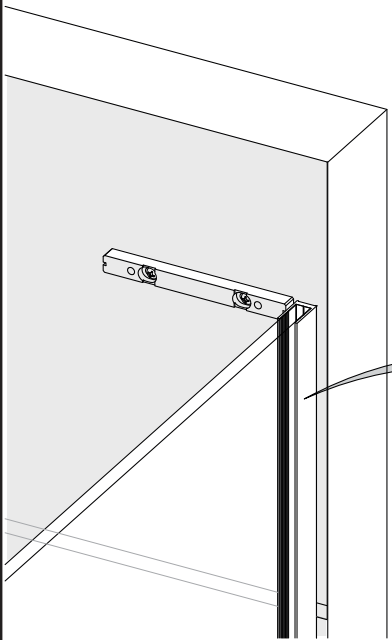
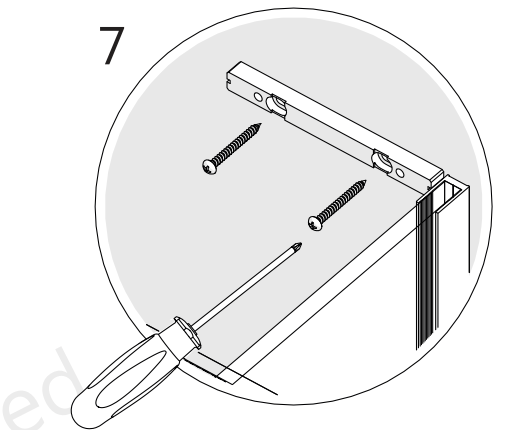
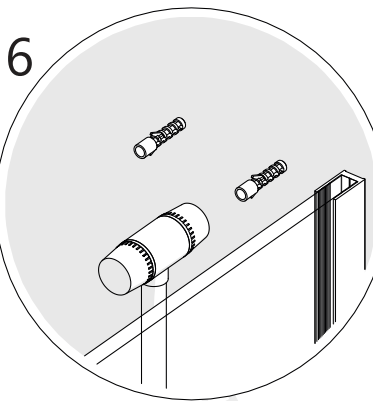
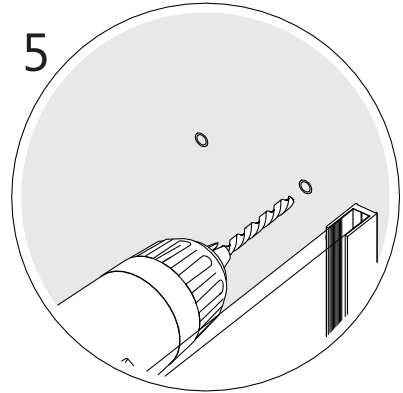
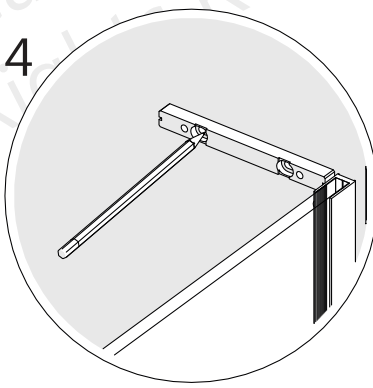
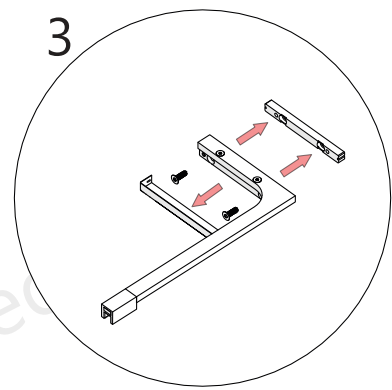
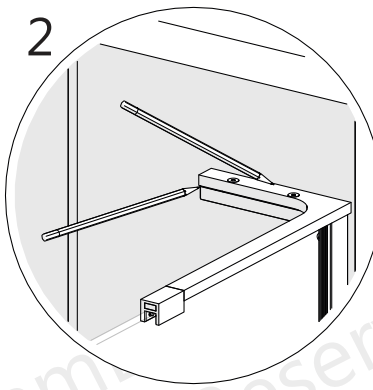
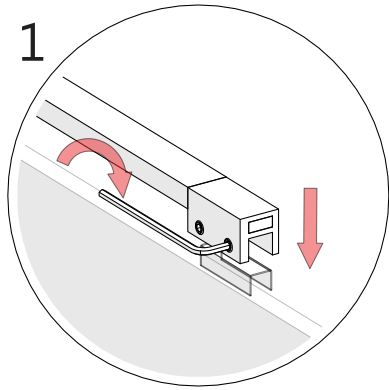
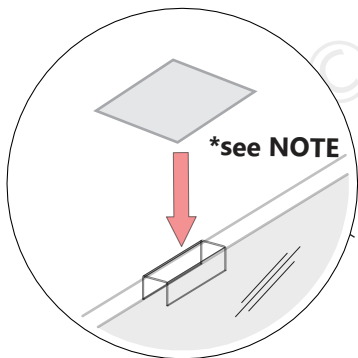


Fig 13



Leave the L-Bar™ decorative cover attached when marking the L-Bar position on the wall to allow space to re-attach the cover plate after installation.



The 0.5mm PVC Spacer for the L-Bar™ Glass Holder is shipped flat, this piece must be folded over the top of the Inline Panel Glass (#01) for installation.

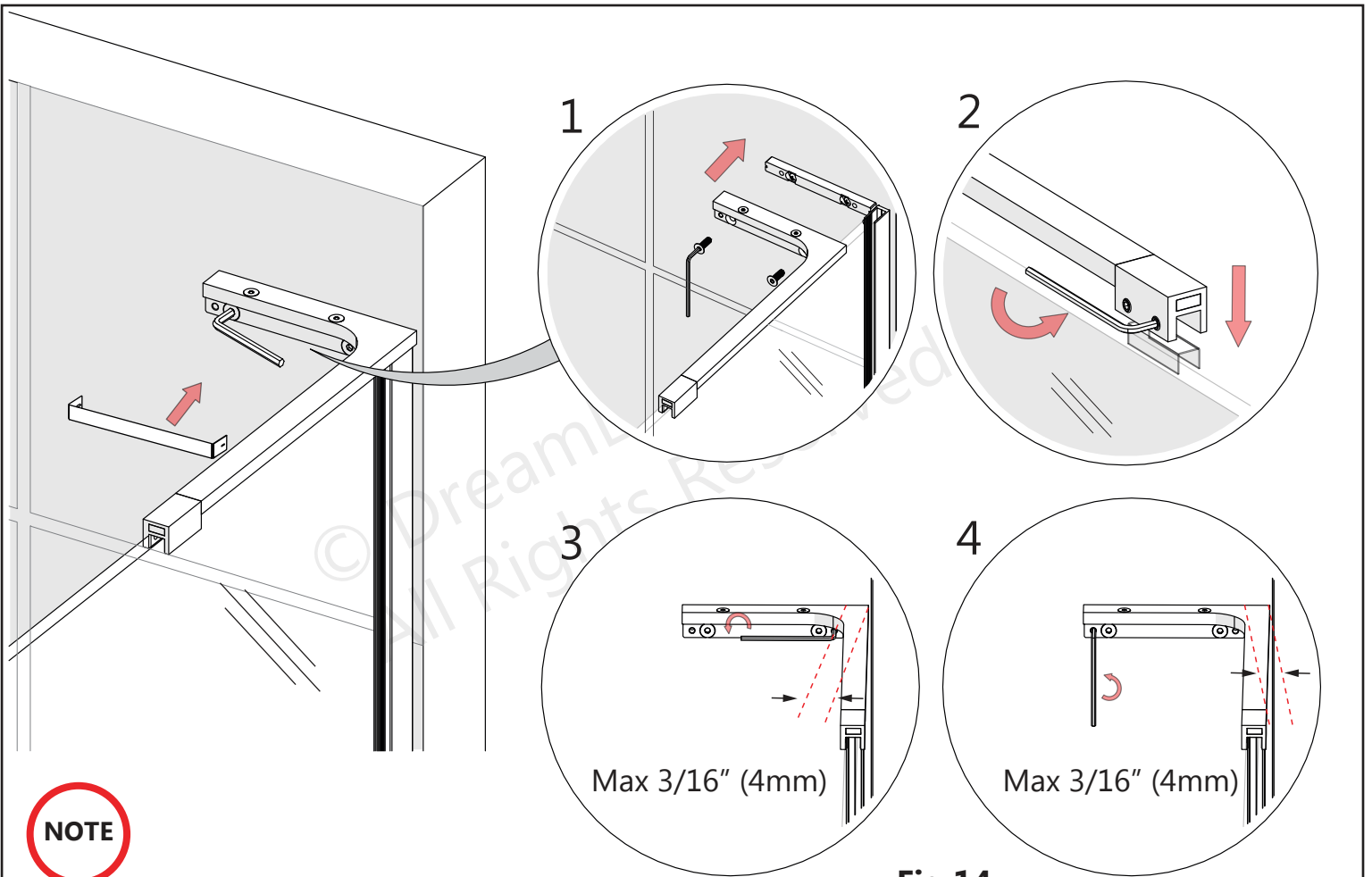


Fig 14

NOTE

Confirm the **Inline Panel Glass (#01)** is level and plumb with the attached **L-Bar™ (#05)** by adjusting the angle (+/-) 3/16". Firmly tighten the set screws before re-attaching the Decorative Cover.

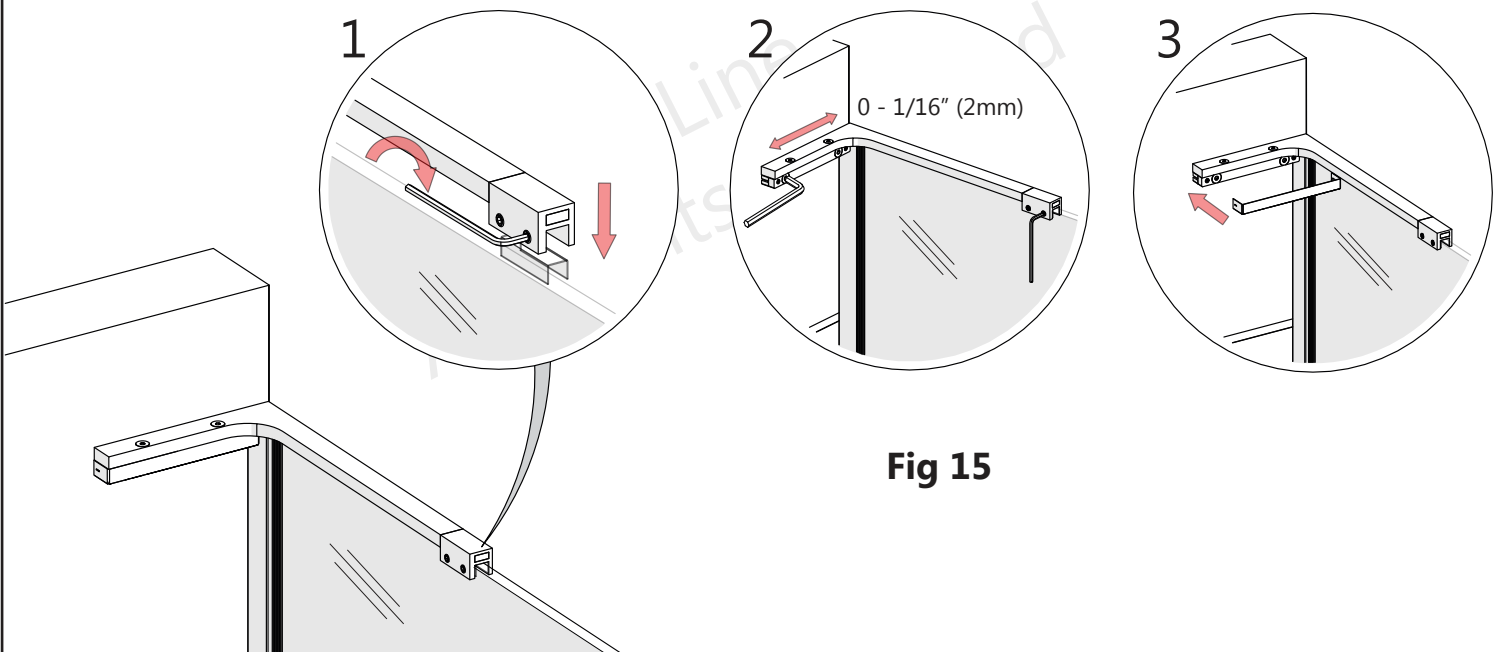


Fig 15

Reversible L-Bar™ Feature: Glass Holder

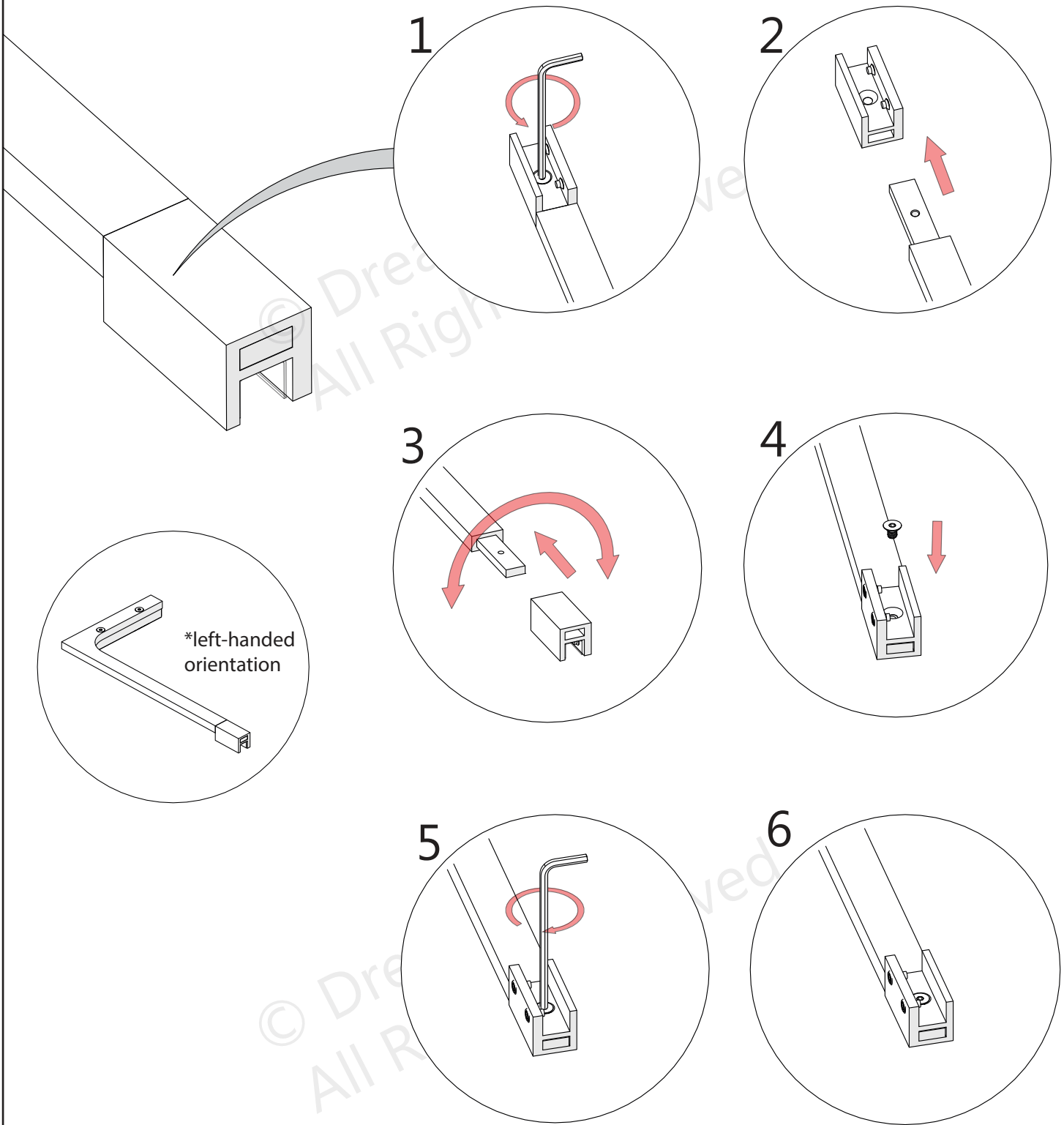


Fig 16

Reversible L-Bar™ Feature: Wall Bracket

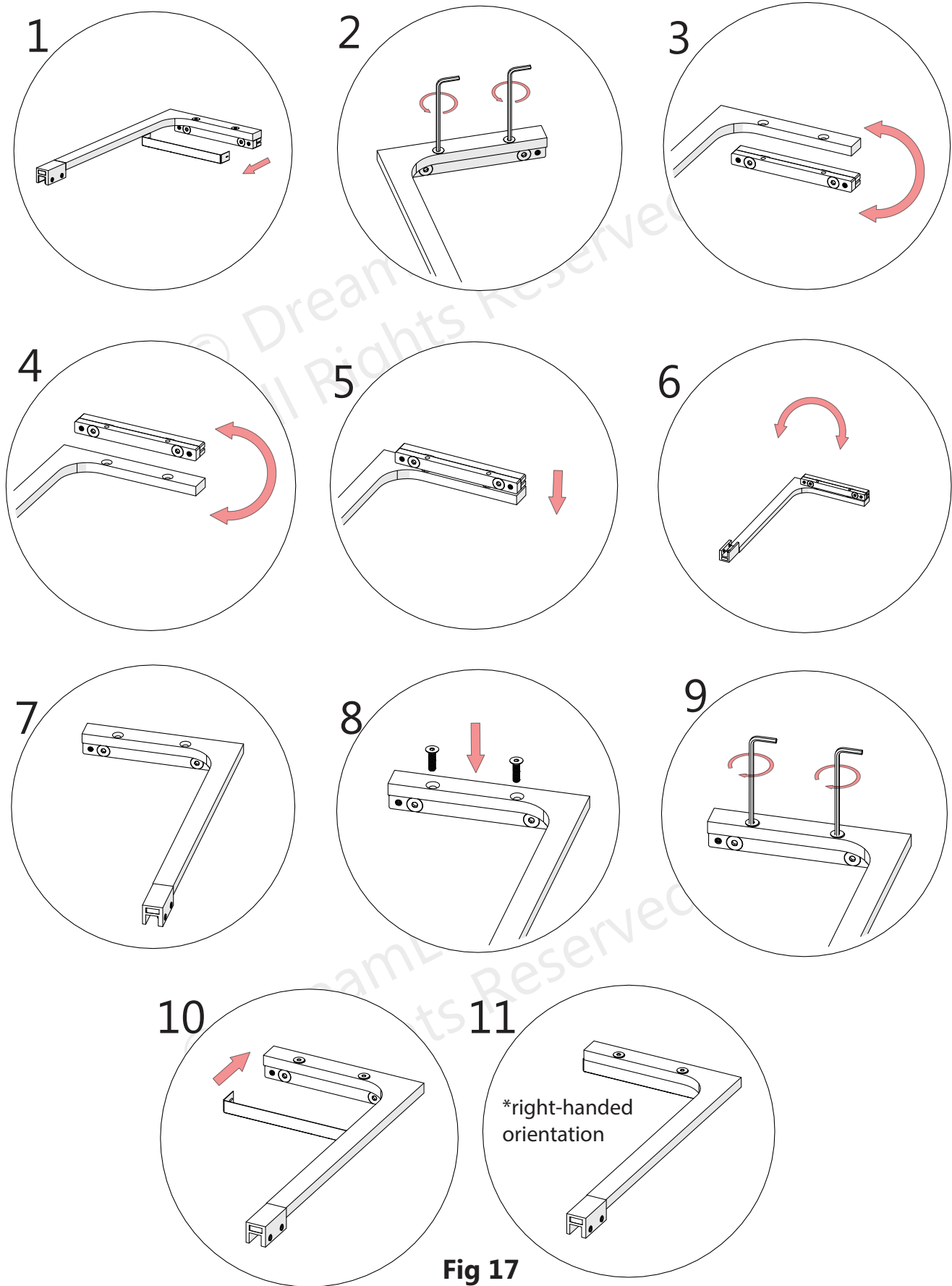


Fig 17

18. Apply a good quality mildew-resistant/waterproof silicone along the connection of both U-Channels to the wall and threshold on the inside of the shower. **(Fig 18)**



NOTE

The surfaces need to be clean and free of debris before applying silicone.



Allow 24 hours for the silicone caulk to cure before using shower.

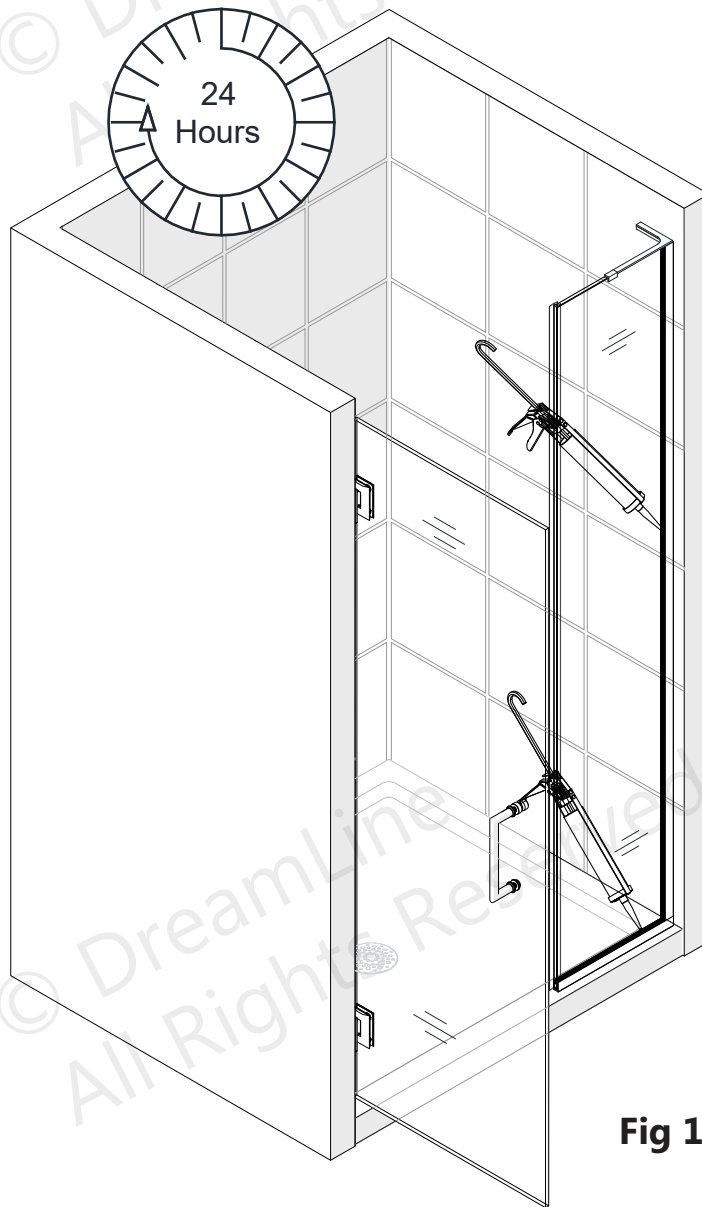


Fig 18

Product Maintenance

BASES and BACKWALLS: To ensure long lasting life for your acrylic back walls: wipe them off after each use with a soft cloth. To clean the acrylic back walls use non-abrasive sprays or cream based cleaners. Avoid the use of aerosol spray cleaners. Never use abrasive cleansers, metal brushes or scrapers that could permanently scratch or dull the surface.

GLASS: To ensure long lasting life for your glass shower products: wipe them off after each use with a soft cloth. Rinse and wipe off the glass using either a soft cloth or a squeegee to prevent soap buildup and water spots (Hard water can etch the surface of the glass over time if left to dry). To prevent scratching the surface: never use abrasive cleaners or cleaning products that contain scouring agents. Never use bristle brushes or abrasive sponges that may scratch the surface of the glass.

HARDWARE: To ensure a long lasting finish: wipe off all metal parts after each use with a soft cloth. Do not use abrasive cleaners or cleaning products containing ammonia, bleach or acid. If accidentally used, rinse the surface as soon as possible to prevent damage to the finish (peeling or corrosion). After cleaning the polished finishes, rinse thoroughly and wipe dry with a soft clean-cloth.

Clean stainless steel surfaces at least once a week. When applying stainless steel cleaner or polish to stainless steel hardware, work with the grain (not across the grain). Never use an abrasive sponge or cloth, steel wool or wired brush as these may permanently scratch the surfaces.

NOTE To maximize the life of your door, it is important to regularly inspect the glass and other hardware for misalignment, proper attachment, and/or damage. Contact DreamLine® with any questions or concerns.

© DreamLine
All Rights Reserved

Notes

© DreamLine
All Rights Reserved

© DreamLine
All Rights Reserved

© DreamLine
All Rights Reserved



© DreamLine
All Rights Reserved

TEL: 866-731-2244
FAX: 866-857-3638
DREAMLINE.COM



For more information on DreamLine® Shower Doors and Enclosures please visit **DreamLine.com**