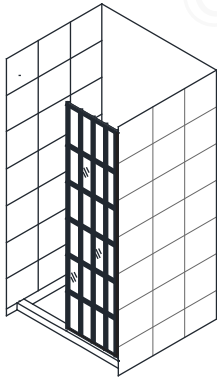


FRENCH LINEA PANEL

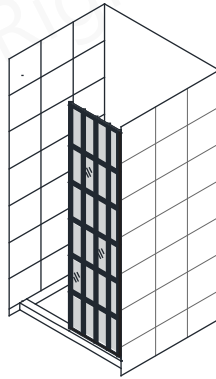
SHOWER PANEL INSTALLATION INSTRUCTIONS

IMPORTANT

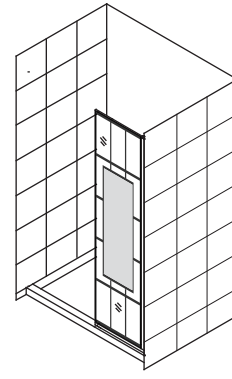
DreamLine® reserves the right to alter, modify or redesign products at any time without prior notice. For the latest up-to-date technical drawings, manuals, warranty information or additional details please refer to your model's web page on DreamLine.com



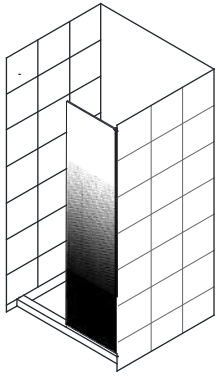
TOULON
SHDR-3234721-89



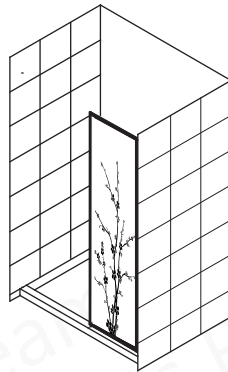
RHONE
SHDR-3234721-87



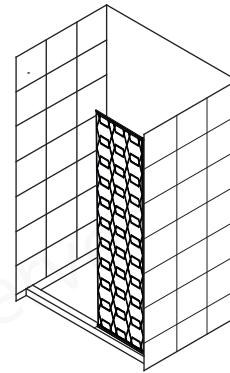
AVIGNON
SHDR-3234721-86



OMBRE
D3234720PXB-01 (chrome)
D3234720PXB-09 (satin black)



BLOSSOM
D3234720ZNB-09



HEXA
D3234720HX-09

Right wall installation shown

PLEASE REVIEW THIS ENTIRE MANUAL PRIOR TO INSTALLATION



Questions?

Please Call **DreamLine Customer Support: 1-855-831-2126**
Hours of Operation M-F 8AM - 7PM EST and Saturday 9AM - 5PM EST

Support@DreamLine.com



For more information about DreamLine® Shower Doors & Tub Doors please visit DreamLine.com



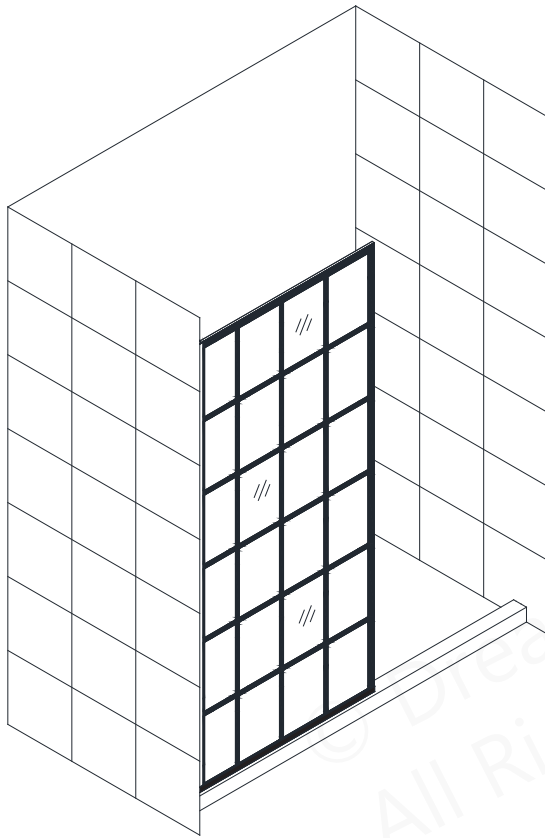
This model is treated with DreamLine's exclusive ClearMax™ Glass technology. This is a specially formulated coating that prevents the build up of soap and water spots.

Install the surface with the ClearMax™ label towards the inside of the shower. Please note that depending on the model, the glass may be coated on either one or both surfaces.

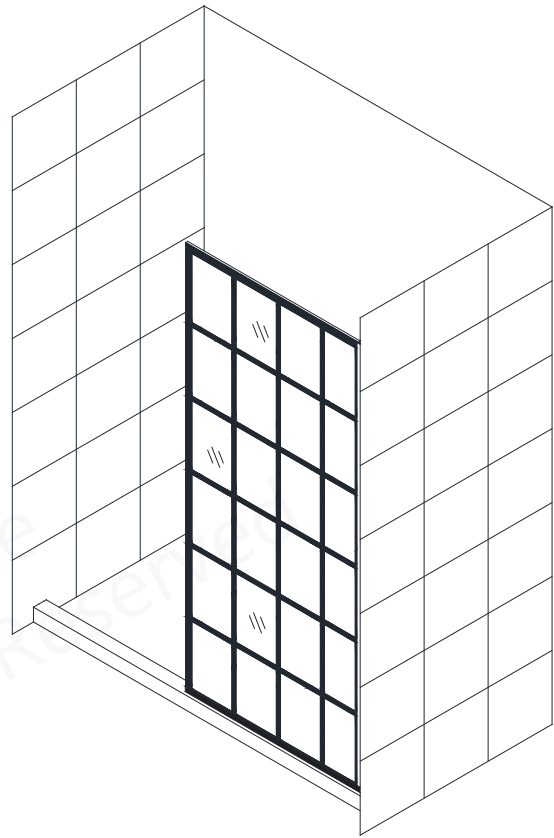
For best results, squeegee the glass after each use and dry with a soft cloth.

Table of Contents

Section Title	Page #
Preparation	2
Tools	4
Model Diagram	5
Detailed Diagram of Shower Panel Components	6
Parts List	6
Installation Steps	7-10
Product Maintenance	11



Left wall installation



Right wall installation



NOTE: This model is fully reversible. The Toulon model with a **Left wall installation** is shown as an example throughout this manual. For Right wall installation, simply reverse the orientation of the installation and begin on the opposite wall.

Preparation

1. Prior to installation, examine all boxes and packages for shipping damage and compare piece count with your packing slip. After opening all boxes and packages, read this introduction carefully. Check that all of the needed parts are included in the package by marking all the components on the "Detailed Diagram of Shower Door Components". If the unit has been damaged, has a finishing defect, or has missing parts, please contact our customer support department within **3 business days** of the delivery date. **Please note that DreamLine® will not replace any damaged products or missing parts free of charge after 3 business days or if the product has been installed.** Feel free to contact DreamLine® if you have any questions and please provide a purchase order #, name or other proof of purchase to help identify the original order.
2. **Please note that you should consult your local building codes with questions on installation compliance standards. Building and plumbing codes may vary by location, and DreamLine® is not responsible for code compliance standards for your project and will not accept any returns.**
3. If this unit is going to be installed in new construction, please install all of the required plumbing and drainage before installing the shower. **Use a competent and licensed (if required by local code) plumber for all plumbing installation.**
4. Please make sure that prior to beginning the installation, the surfaces are leveled and solid and will be able to support the total weight of the unit. Also make sure the walls are at right angles. Irregular installation surface level, radius corners or improper angle of side walls will result in serious problems for your installation. Please, note that some adjustments and drilling might be necessary during the installation process.
5. Please protect all primary surfaces of the product during installation. Never set your glass down directly onto a tile floor. Leave corner protectors in place until necessary to remove them. Always use a piece of wood or cardboard to protect the bottom edge and corners of the glass prior to and during installation.
6. **Installation of this model requires that you drill down into the threshold or shower base. Contact the manufacturer of the base or threshold material with any questions regarding the drilling of holes into their product.**
7. Stationary panel size of **34" is a nominal dimension** referring to the overall size of the panel after installation and not the actual glass size.
8. The vertical (wall) u-channel will allow up to **1/2"** of out-of-plumb adjustment. **Do not exceed this tolerance.**
9. **This model requires a minimum 5/8" of flat level threshold space for installation.**
10. **Installation into a stud behind the wall is recommended.**
11. **Professional installation recommended.**



To prevent serious injury, do not lean against the installed panel glass.

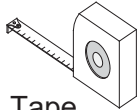


This product should be installed by someone familiar with the construction requirements for this type of project and the care necessary for the safe installation and operation of the product.

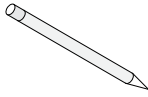
Tools



Level



Tape Measure



Pencil



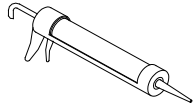
Phillips Screwdriver



Drill bit (Ø5/16")



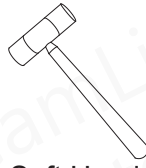
Drill bit (Ø1/8")



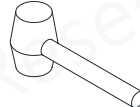
100% Silicone



Power Drill



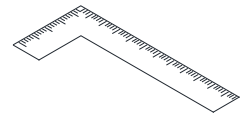
Soft Head Hammer



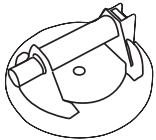
Mallet



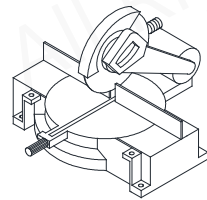
Wood



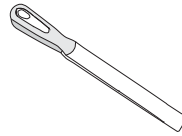
Carpenter's Square



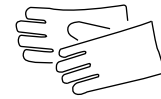
Professional Grade Glass Suction Cup



Miter saw or Hacksaw



Metal File



Work Gloves



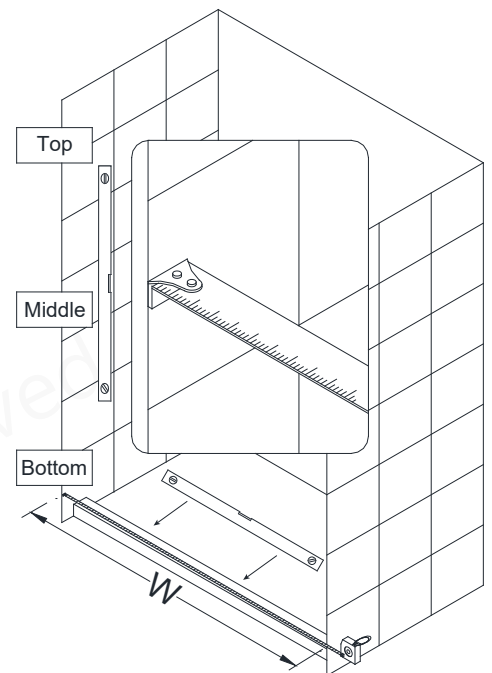
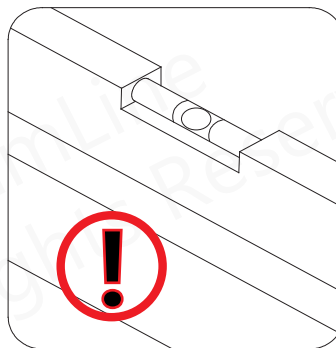
Safety Glasses

Tip: Measure the finished opening before proceeding with the installation to be sure that the correct model size has been ordered.

Tip: Prior to installation, cover the shower/tub drain with tape to prevent losing screws or small parts.

Tip: Set screw gun clutch to low setting when installing screws and bolts to prevent stripping the heads.

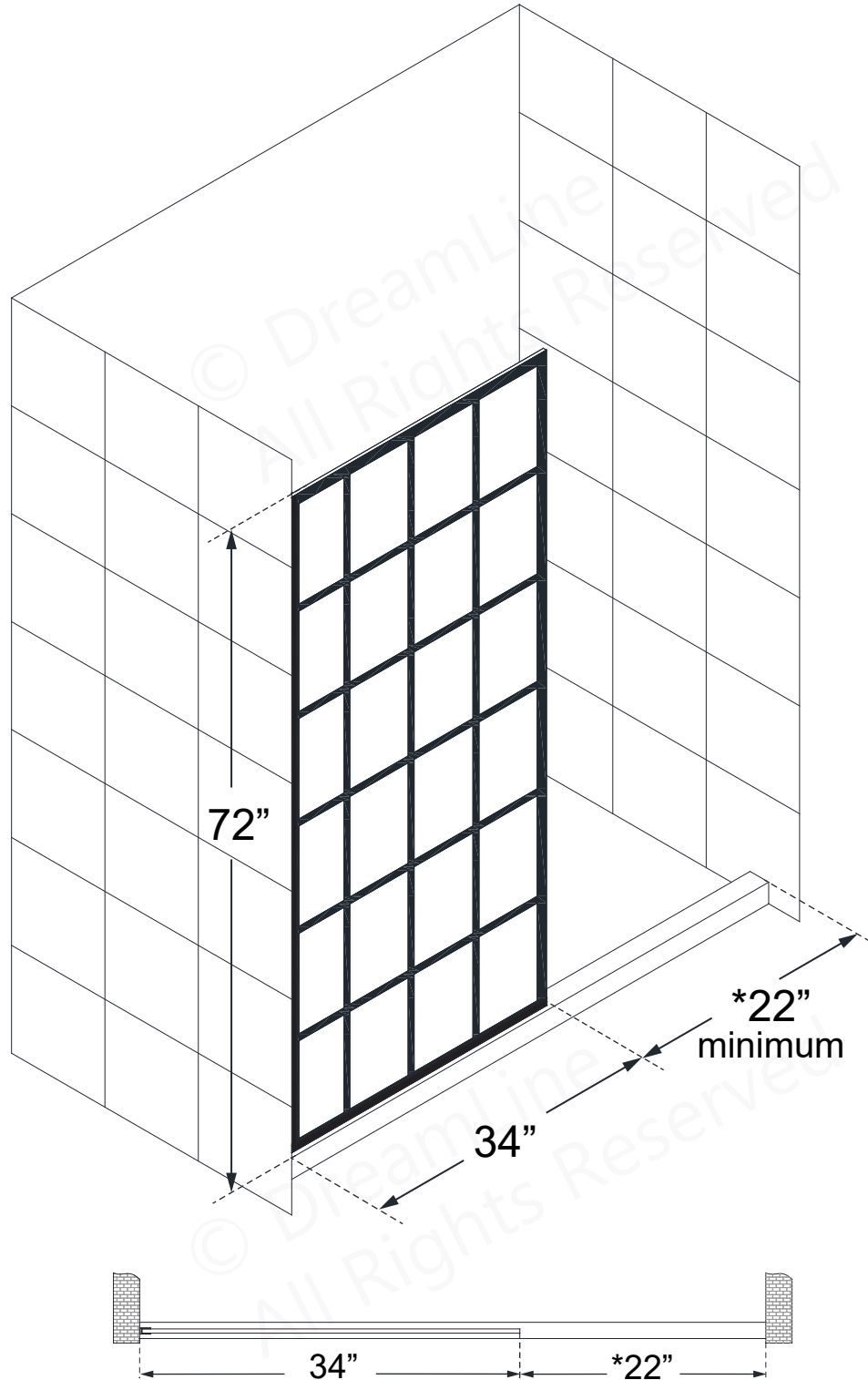
Threshold must be level.



NOTE: Unpack your unit carefully and inspect it. Lay it out and identify all parts using the detailed diagram and packing list in this manual as a reference. Before discarding the carton, check for small hardware bags that may have fallen to the bottom of the box. If any parts are damaged or missing, please contact DreamLine® for replacement. The shipping boxes may contain extra parts not used in your model configuration.

NOTE: Retain these installation instructions for future reference.

Model Diagram

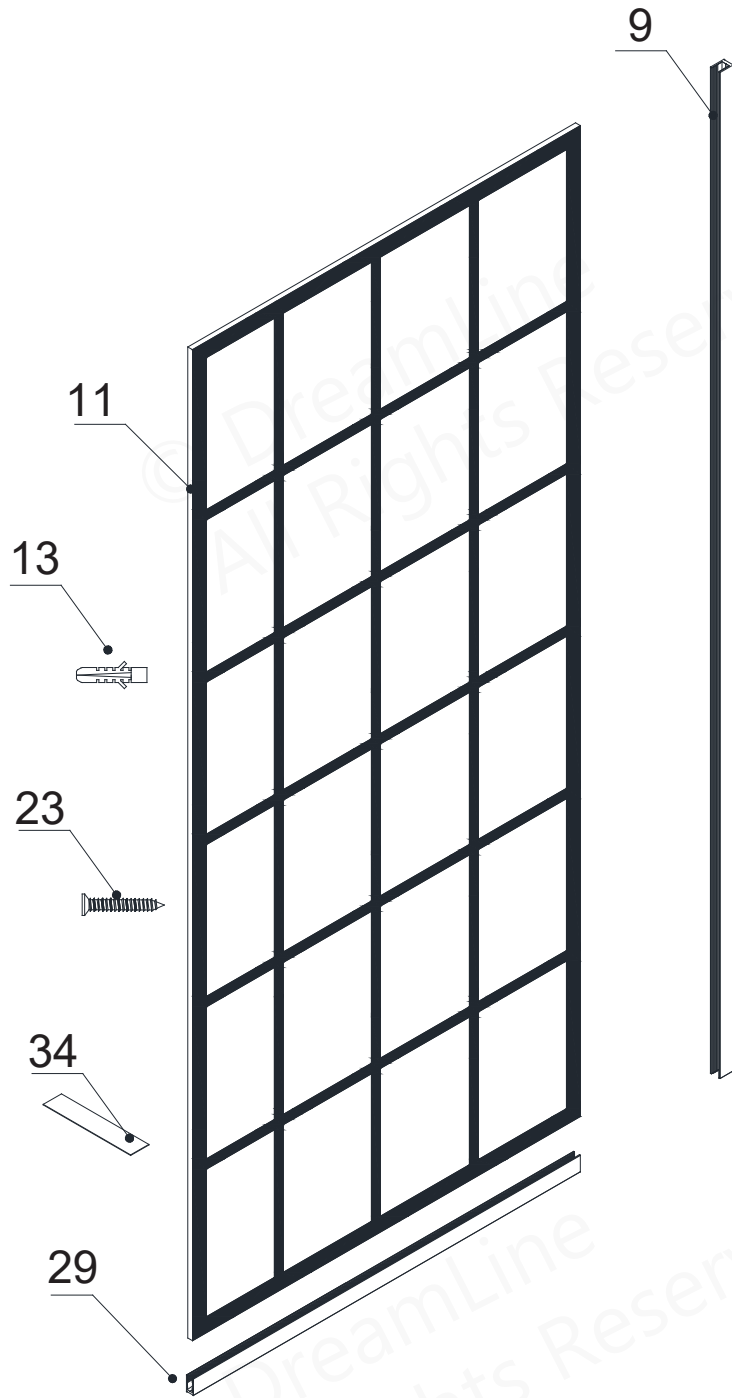


! *22" minimum access space recommended



NOTE: It is recommended to install this 34" x 72" stationary panel into a finished opening (>56") that will allow for at least 22" of unobstructed access into the shower area.

Detailed Diagram of shower panel components



The patterned surface of the glass must be installed toward the outside of the shower



The glass surface with the ClearMax™ label must be installed to face inside of the shower

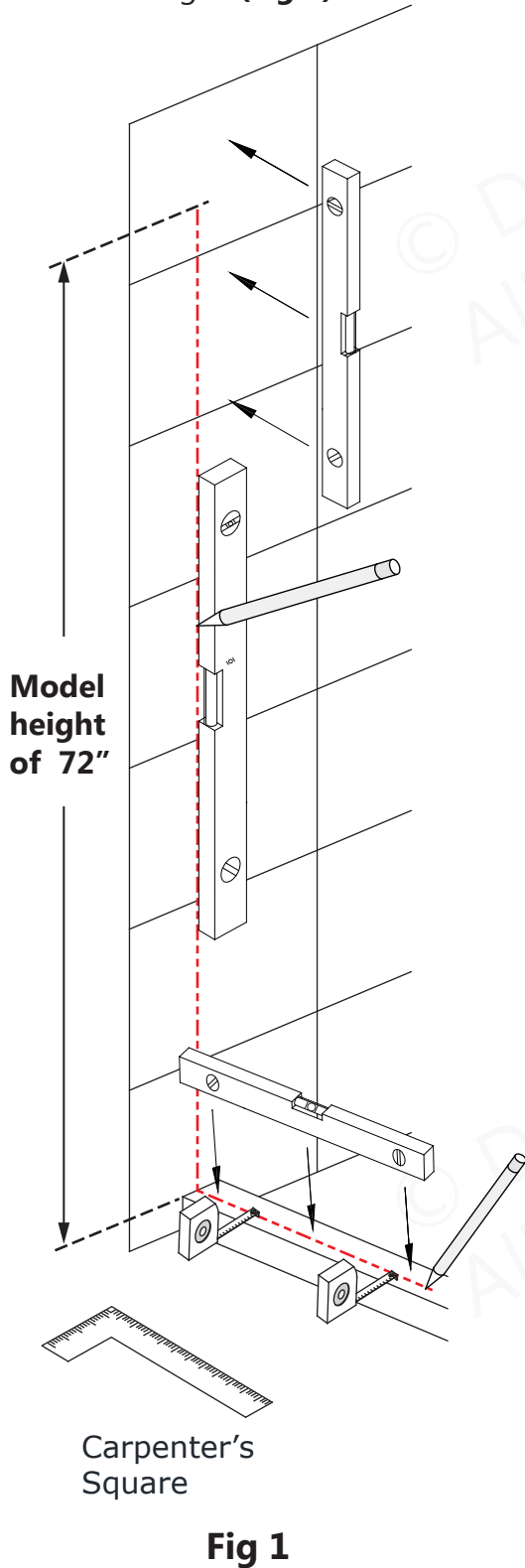
Parts List

Glass with Toulon pattern shown as an example

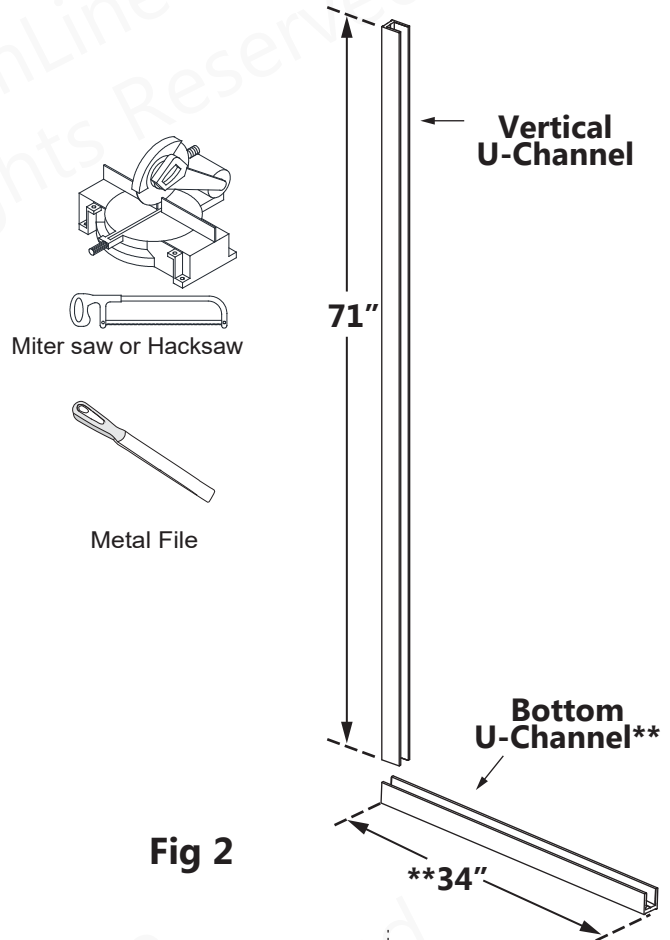
Part#	DESCRIPTION	Qty	Part#	DESCRIPTION	Qty
09	U-Channel (vertical) (73")	1pc	23	Countersunk Screw ST4.2x40	8pcs
11	Stationary Glass (34")	1pc	29	U-Channel (bottom) (36")	1pc
13	Ø5/16" Wall Anchor	8pcs	34	0.5mm PVC Glass Spacer (36")	1pc

Installation steps

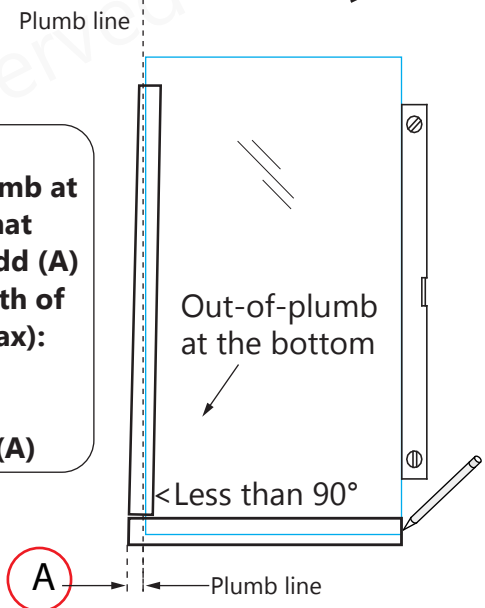
1. Check the wall for plumb and the threshold for level. Draw a line on the threshold and on the wall to represent the centerline of the U-Channel. Make sure the line on the threshold is parallel to the outside edge. **(Fig 1)**



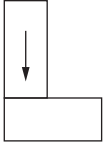
2. Use a miter saw or hacksaw to cut the **Vertical U-Channel (#09)** to **71"**. If the wall is plumb, cut the **Bottom U-Channel (#29)** to **34"** (if the wall is out-of-plumb at the bottom, see the **Note**** below). Use a metal file to file off any burrs on the cut end. **(Fig 2)**



! NOTE:
If the wall is out-of-plumb at the bottom, measure that dimension as (A) and add (A) to the finished cut length of the U-channel (1/2" max):
Finished cut length= Glass Width + 3/16" + (A)



3. Position the U-Channels onto the centerlines to mark the holes for drilling. **(Fig 3)**



NOTE: The vertical u-channel sits on top of the bottom u-channel

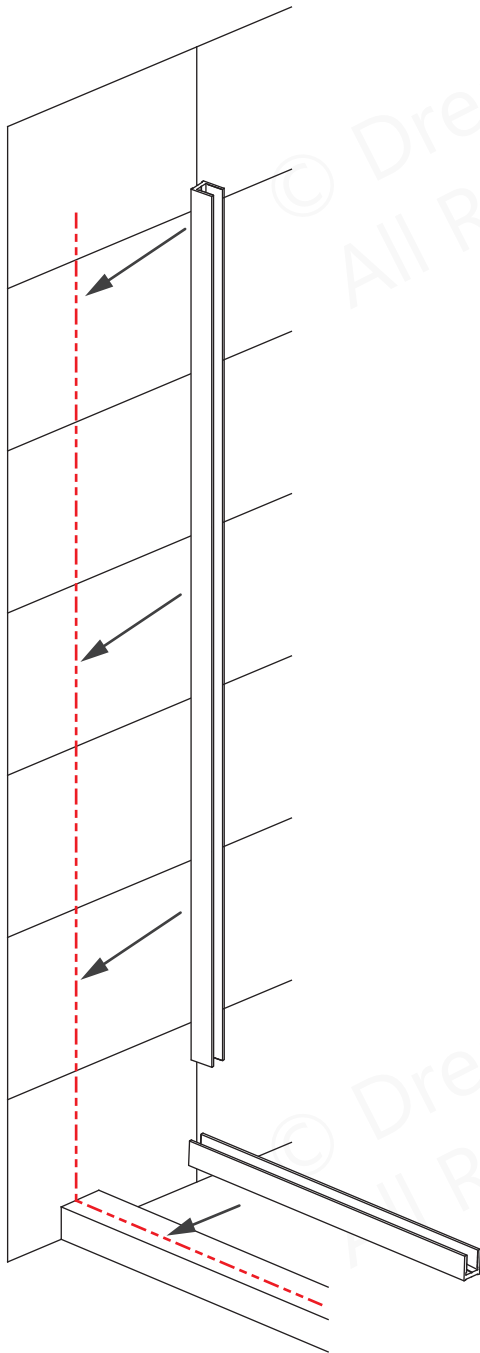


Fig 3

4. Mark the hole positions through the holes in the U-Channels onto the centerline on the wall and threshold. **(Fig 4)**

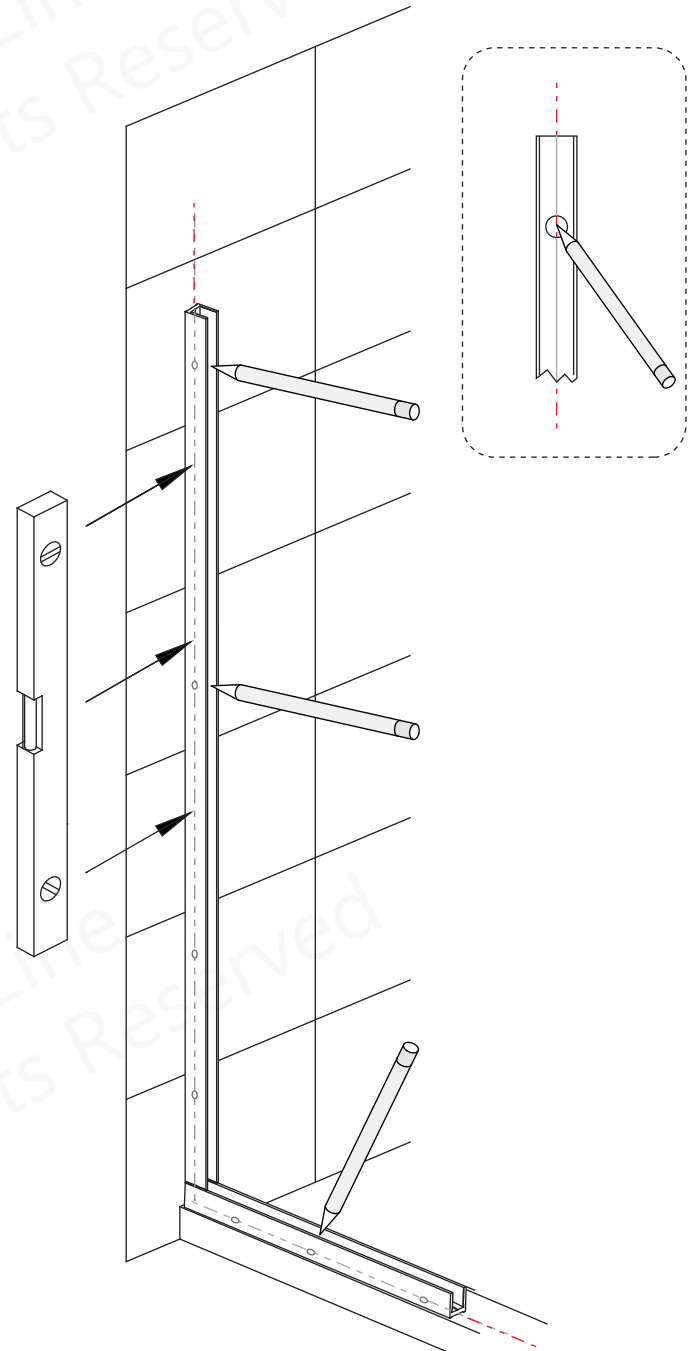
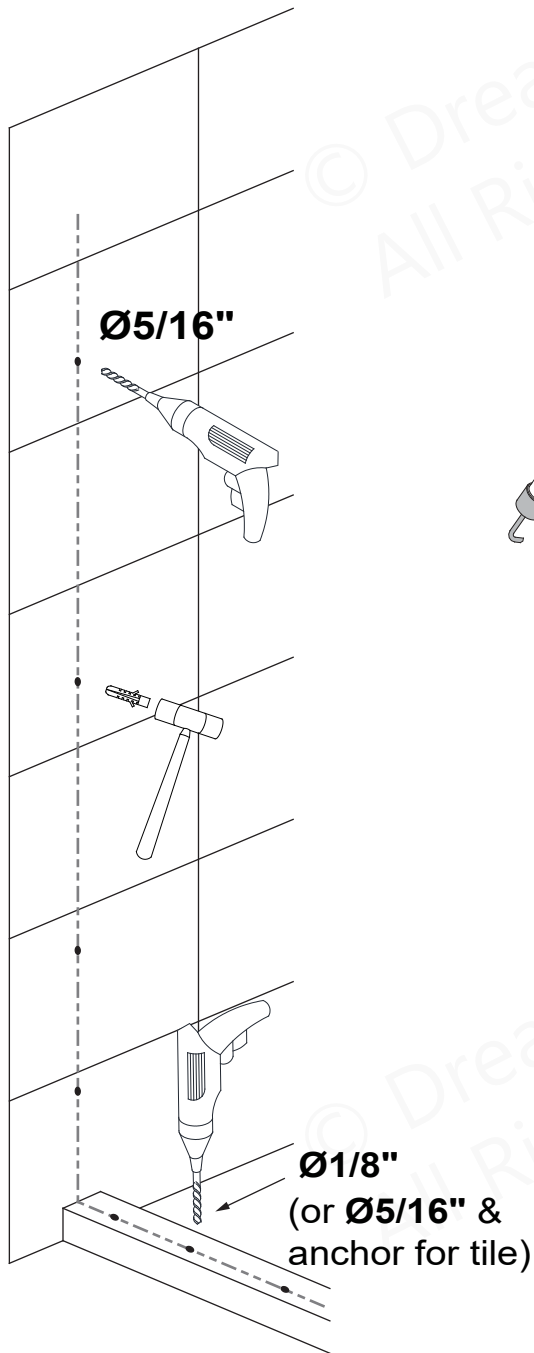


Fig 4

5. Drill $\text{\O}5/16''$ holes into the wall and install the wall anchors. Drill $\text{\O}1/8''$ holes into an acrylic threshold (or drill $\text{\O}5/16''$ holes and anchors for a tile threshold). **(Fig 5)**



NOTE: If installing into a tile threshold, drill $\text{\O}5/16''$ holes and insert anchors.

Fig 5

6. Apply silicone to the back of the U-Channels and the screw holes, then install the U-Channels using the **ST4.2 x 40mm Screws (#23)**. **(Fig 6)**

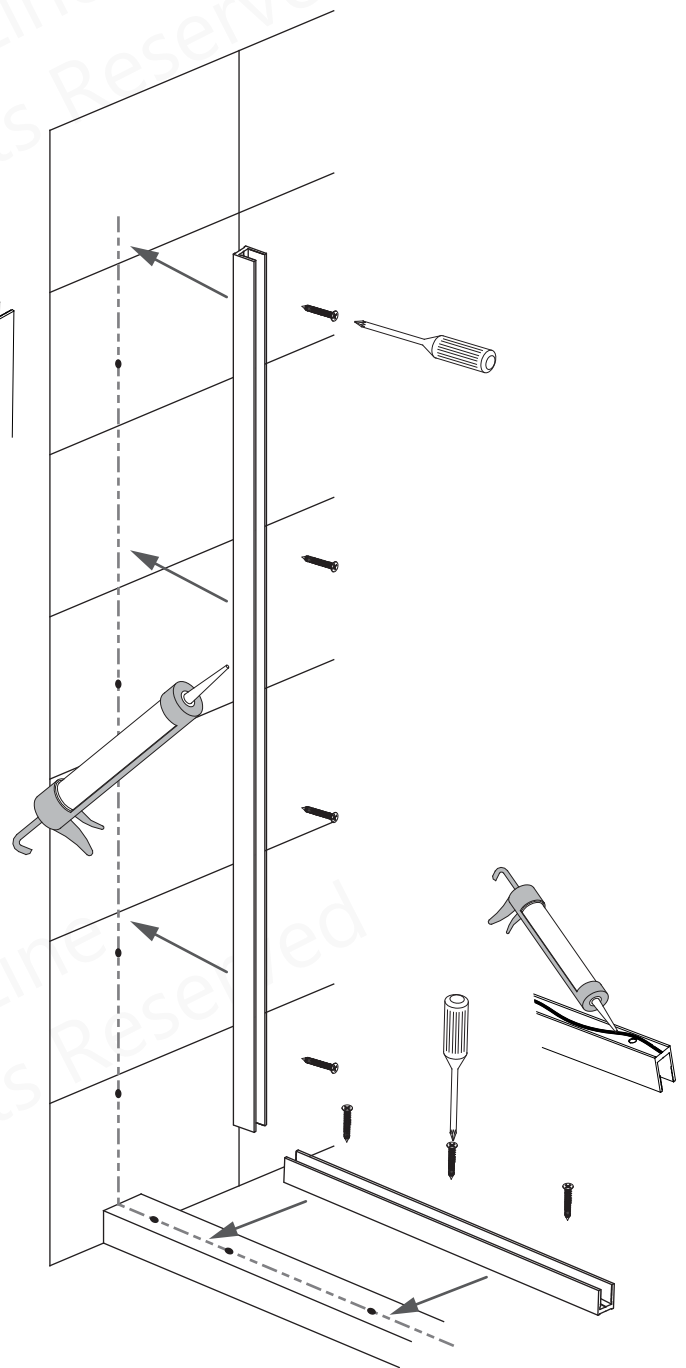


Fig 6

7. Apply a bead of silicone into the length of the U-Channels first. Then, cut and add 2" pieces of the **0.5mm PVC Glass Spacers (#34)** into the **Bottom U-Channel (#29)** to protect the bottom and corners of the glass. **(Fig 7)**



NOTE: Additional **0.5mm PVC Glass Spacers (#34)** can be used in the bottom u-channel (up to 1/4" max) to assist in leveling the glass.

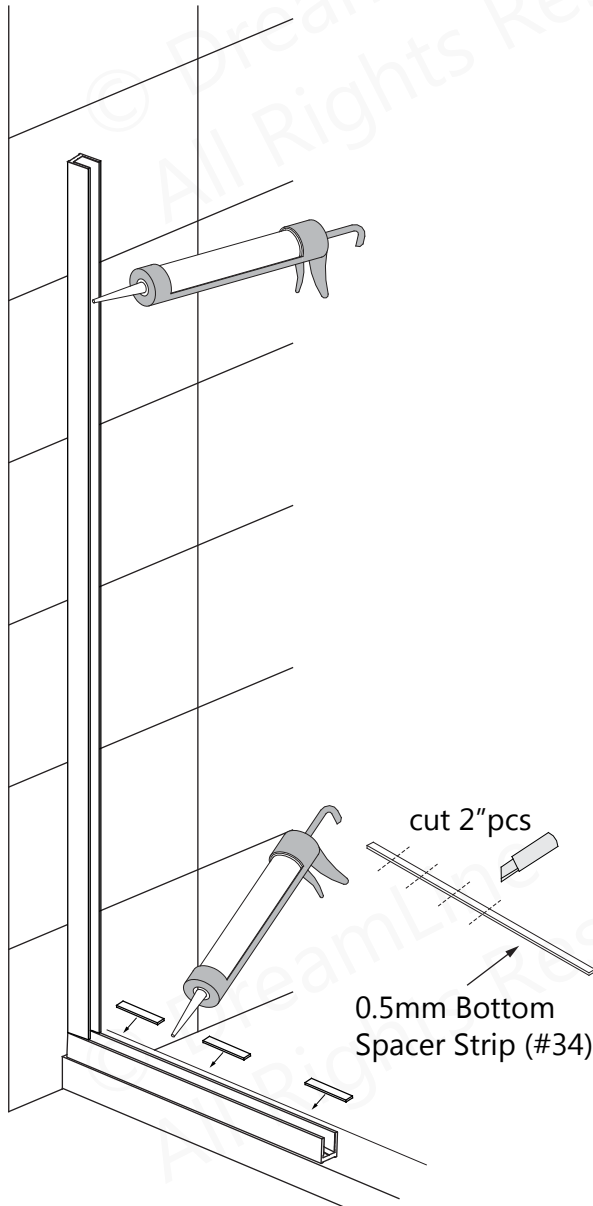


Fig 7



DO NOT install one long continuous strip of the 0.5mm PVC Glass spacer into the bottom rail.

8. Install the **Stationary Glass (#11)** into the **Vertical U-Channel (#09)** first and then slide it down into the **Bottom U-Channel (#29)**.

Check for level and plumb. **(Fig 8)**



The **French Linea** patterned surface of the glass must be installed toward the outside of the shower

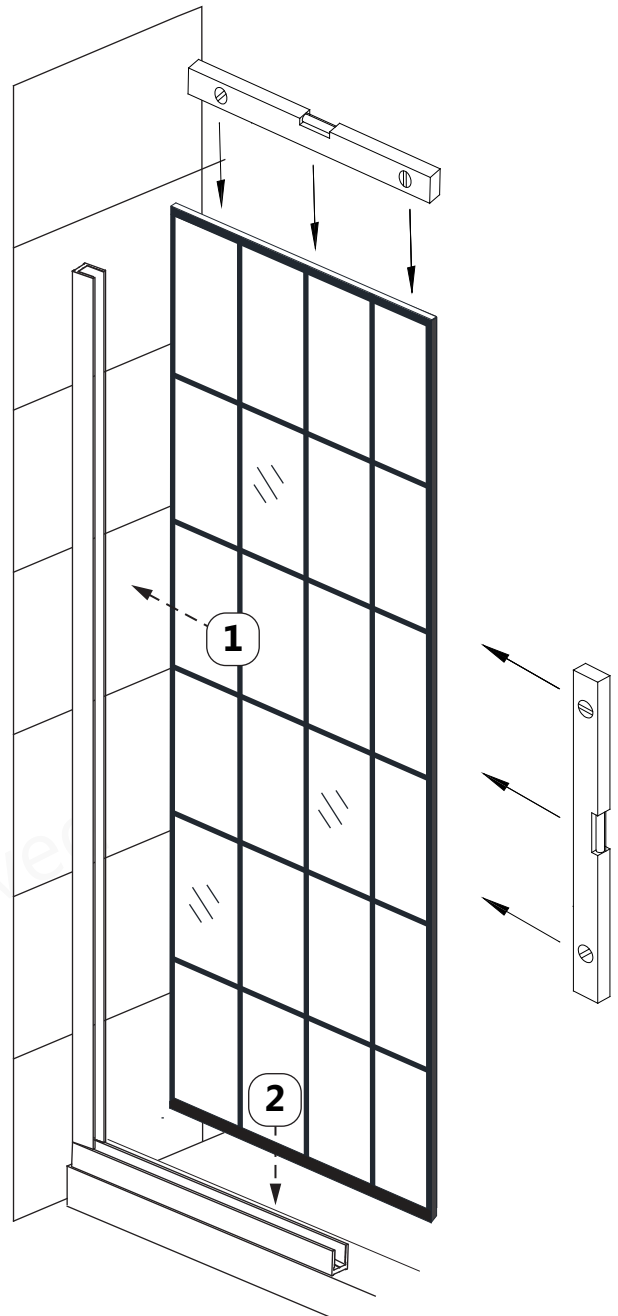


Fig 8

9. Apply a good quality mildew-resistant silicone along the U-Channel where it meets the wall and threshold from inside of the shower. You may also apply silicone along the outside if desired. **(Fig 9)**



Surfaces must be clean and free of debris before applying silicone.

Allow 24 hours for the silicone to cure before using the shower.

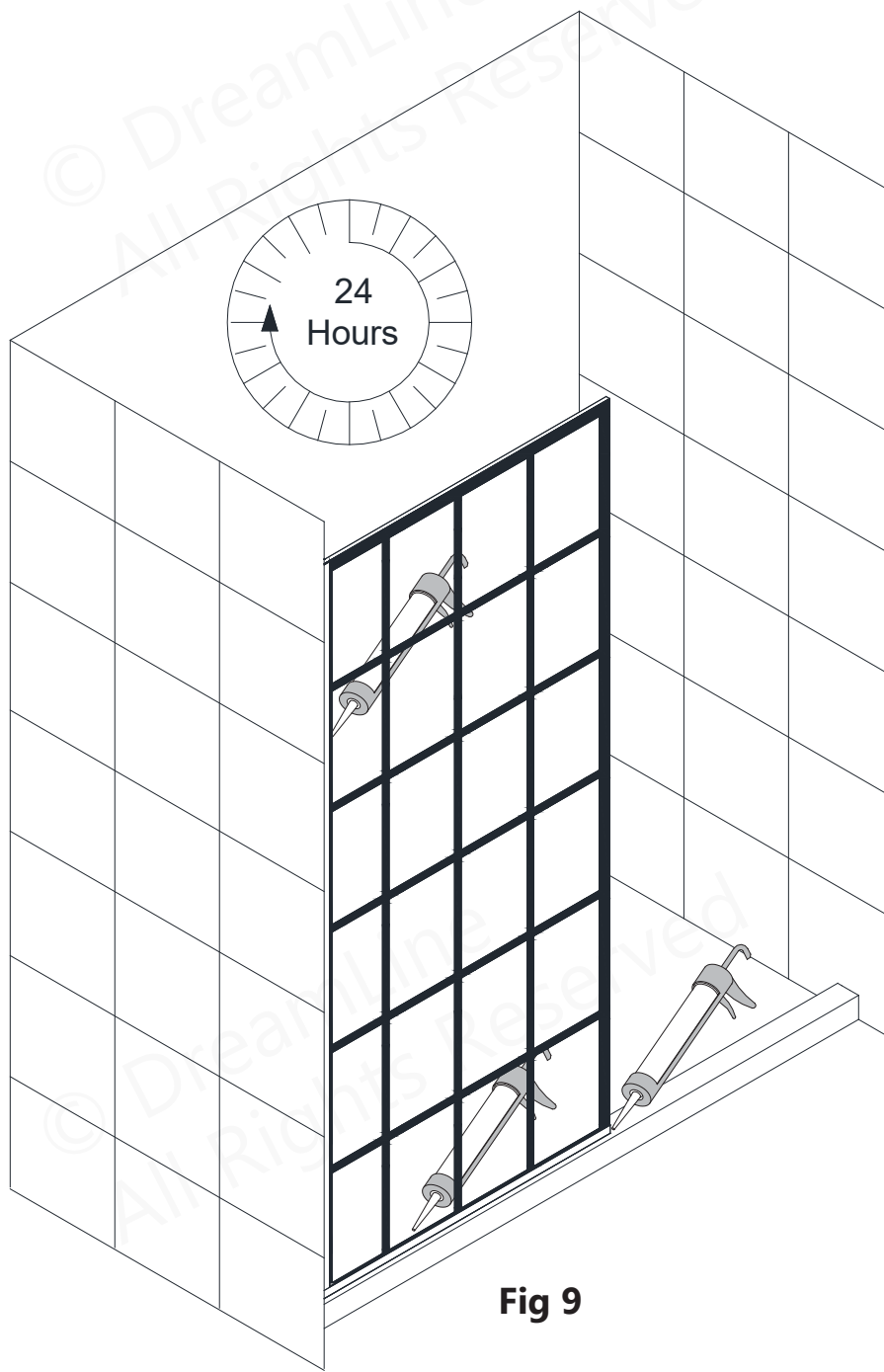


Fig 9



To prevent serious injury, do not lean against the installed panel glass.

Product Maintenance

BASES and BACKWALLS: To ensure long lasting life for your acrylic back walls: wipe them off after each use with a soft cloth. To clean the acrylic back walls use non-abrasive sprays or cream based cleaners. Avoid the use of aerosol spray cleaners. Never use abrasive cleansers, metal brushes or scrapers that could scratch or dull the surface.

GLASS: To ensure long lasting life for your glass shower products: wipe them off after each use with a soft cloth. Rinse and wipe off the glass using either a soft cloth or a squeegee to prevent soap buildup and water spots (Hard water can etch the surface of the glass over time if left to dry). To prevent scratching the surface: never use abrasive cleaners or cleaning products that contain scouring agents. Never use bristle brushes or abrasive sponges that may scratch the surface.

HARDWARE: To ensure a long lasting finish: wipe off the metal parts after each use with a soft cloth. Do not use abrasive cleaners or cleaning products containing ammonia, bleach or acid. If accidentally used, rinse the surface as soon as possible to prevent damage to the finish (peeling or corrosion). After cleaning the polished finishes, rinse thoroughly and wipe dry with soft cloth. Clean stainless steel surfaces at least once a week. When applying stainless steel cleaner or polish to stainless steel hardware, work with (not across) the grain. Never use an abrasive sponge or cloth, steel wool or wired brush as these may permanently scratch the surfaces.

NOTE: To maximize the life of your door, it is important to regularly inspect the glass and all hardware for misalignment, proper attachment, and/or damage. Contact DreamLine with any questions or concerns.

© DreamLine
All Rights Reserved



TEL: 866-731-2244
FAX: 866-857-3638
DREAMLINE.COM

For more information on DreamLine® Shower Doors and Enclosures please visit **DreamLine.com**