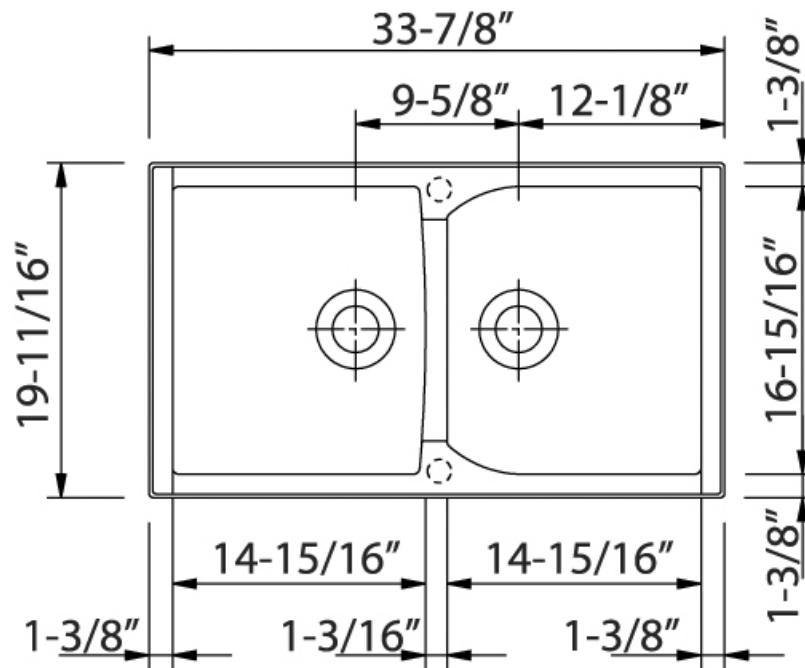


**CORAX 86.20**

Code **CX0862**

**100% ANTIBACTERIAL**

**LV2 - 33-7/8" x 19-11/16" - Double basin sink**



- **Cut-out:** 33-1/16" x 18-7/8"
- **Depth:** 9-1/16"