

**HALIFAX
61" CAST IRON
SLIPPER TUB**

Cat. No.
CTSN611



L: 61"
W: 30"
H: 21 1/2" - 29 1/4" (from floor to top of tub)

Depth: 17" at drain
Water depth: 13 1/2" to overflow
Overflow hole: 1 1/2"

The following is recommended for CTSN611 tubs:

- Faucet: part #4602, 7393 or 7410
- Rigid, freestanding supplies: part #4502
- Leg tub drain: part #5599

| | |
|------------------|----------|
| Gallon Capacity: | 45 |
| Shipping Weight: | 465 lbs. |
| Empty Weight: | 285 lbs. |
| Filled Weight: | 661 lbs. |

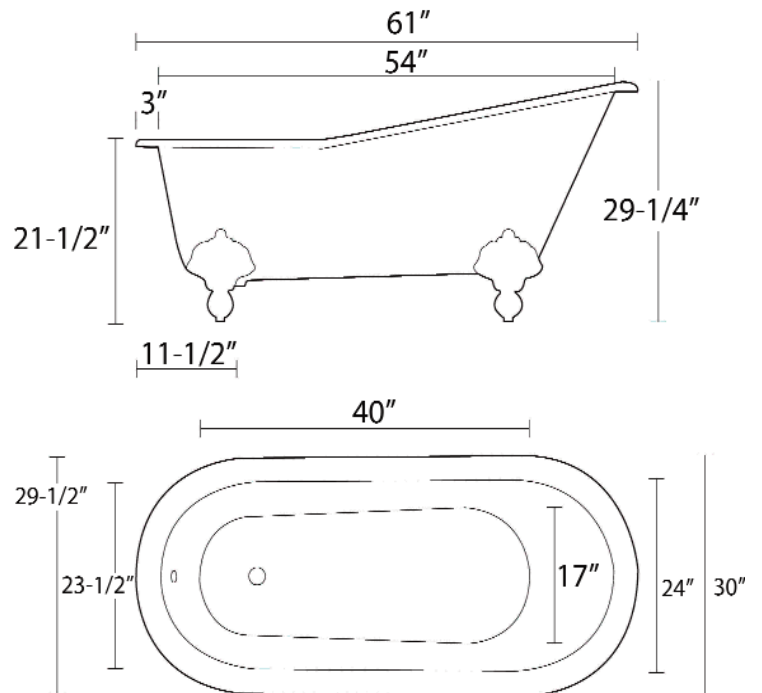
Features:

- ▶ Inside finish is white enamel
- ▶ Imperial feet available in 5 finishes
- ▶ Tub exterior is white (epoxy)
- ▶ No faucet holes
- ▶ Feet are attached and leveled before shipment
- ▶ Tub is thoroughly inspected before shipment

Foot Finishes:

| | |
|------------------------------|--------------------------|
| BP Polished Brass | SN Brushed Nickel |
| CP Polished Chrome | WH White |
| ORB Oil-rubbed Bronze | |

Extra Paint Charge (inside of tub is always white enamel):
Bisque Paint - \$160 **Black Paint** - \$160
 Bathtubs painted in bisque or black are considered "special order" and are not returnable.



Dimensions of fixture are nominal and may vary within the range of tolerances established by ANSI Standard A112.19.2. Dimensions and specifications subject to change without notice.