

**GARETH
53" CAST IRON
SLIPPER TUB**

Cat. No.
CTSN53



L: 53 1/4"
W: 28 1/4"
H: 29" (from floor to top of tub)

Water depth: 16" to overflow

The following is recommended for CTSN53 tubs:

- Faucet: part #4602
- Rigid, freestanding supplies: part #4502
- Leg tub drain: part #5599

Gallon Capacity: 39
Shipping Weight: 500 lbs.
Empty Weight: 275 lbs.
Filled Weight: 601 lbs.

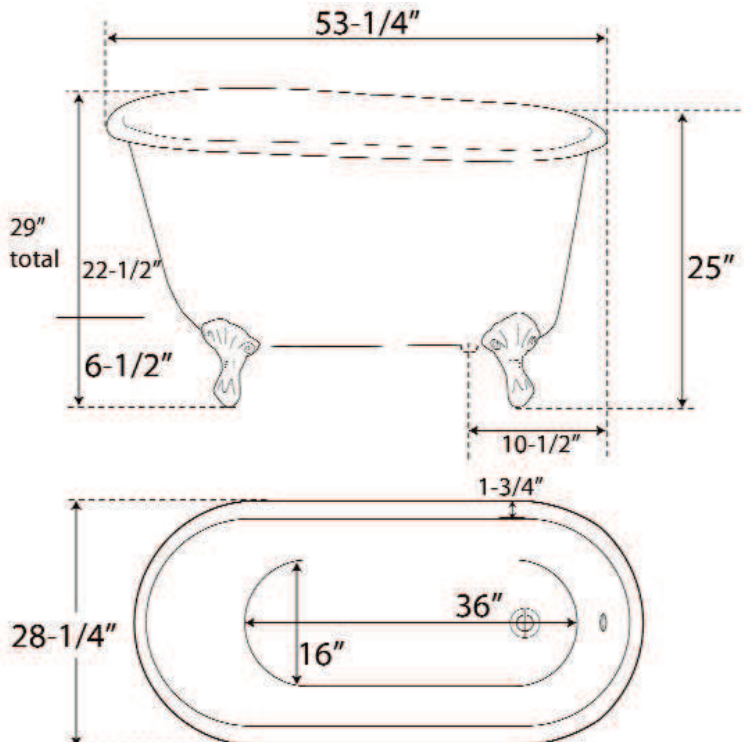
Features:

- ▶ Inside finish is white enamel
- ▶ Ball and claw feet available in 5 finishes
- ▶ Tub exterior is white (epoxy)
- ▶ No faucet holes with a continuous rolled rim
- ▶ Feet are attached and leveled before shipment
- ▶ Tub is thoroughly inspected before shipment

Foot Finishes:

BP Polished Brass **SN** Brushed Nickel
CP Polished Chrome **WH** White
ORB Oil-rubbed Bronze

Extra Paint Charge (inside of tub is always white enamel):
Bisque Paint - \$160 **Black Paint** - \$160
Bathtubs painted in bisque or black are considered "special order" and are not returnable.



Dimensions of fixture are nominal and may vary within the range of tolerances established by ANSI Standard A112.19.2. Dimensions and specifications subject to change without notice.