

# 55" CAST IRON ROLL TOP TUB

Cat. No.  
CTR7H54



L: 55"  
W: 30 1/2"  
H: 23 3/4" (from floor to top of tub)

Depth: 13"

**The following is recommended for CTR7H54 tubs with faucet holes:**

- Tub rim-mounted faucet: #4601
- Straight bath supplies: part #5577
- Leg tub drain: part #5599
- Complete shower unit: part# 4045, 4062

Gallon Capacity:	41
Shipping Weight:	434 lbs.
Empty Weight:	247 lbs.
Filled Weight:	589 lbs.

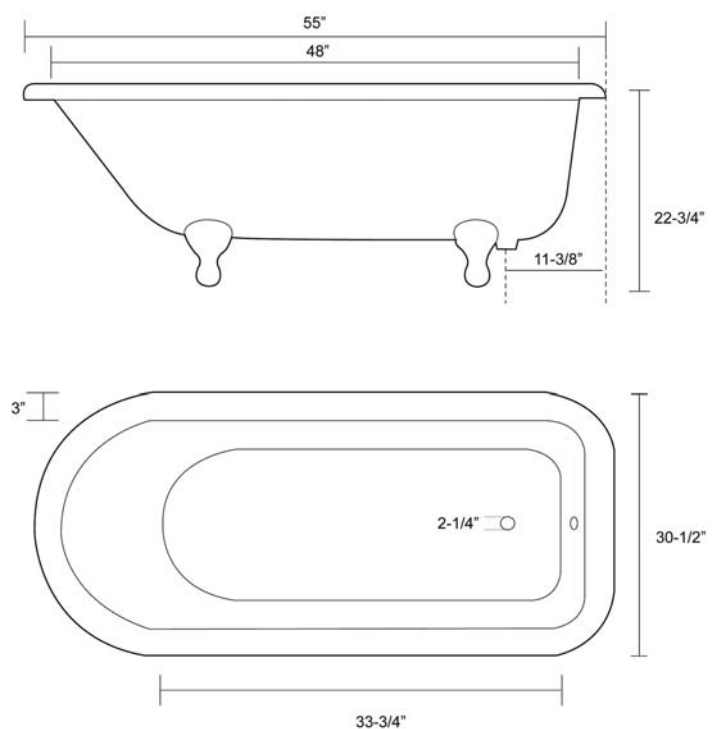
## Features:

- ▶ Inside finish is white enamel
- ▶ Ball and claw feet available in 6 finishes
- ▶ Tub exterior is enamel
- ▶ 7" centers on tub deck
- ▶ Feet are attached and leveled before shipment
- ▶ Tub is thoroughly inspected before shipment

### Foot Finishes:

<b>BP</b> Polished Brass	<b>SN</b> Brushed Nickel
<b>CP</b> Polished Chrome	<b>ORB</b> Oil-Rubbed Bronze
<b>PN</b> Polished Nickel	<b>WH</b> White

**Extra Paint Charge** (inside of tub is always white enamel):  
**Bisque Paint** - \$160                      **Black Paint** - \$160  
 Bathtubs painted in bisque or black are considered "special order" and are not returnable.



Dimensions of fixture are nominal and may vary within the range of tolerances established by ANSI Standard A112.19.2. Dimensions and specifications subject to change without notice.