

CST243EF
CST244EF
CST423EF
CST424EF(G)
CST454CEF(G)
CST454CUF(G)
CST743E(N)
CST744E(G)(N)
CST494CEMF(G)

CST743ED
CST744ED
CST744EL(N)
CST744ELD
CST744EF.10
CST744EFD.10
CST754EF(N)
CST784EF
CST744EFN.10



Warranty Registration and Inquiry

For product warranty registration, TOTO U.S.A. Inc. recommends online warranty registration. Please visit our web site <http://www.totousa.com>. If you have questions regarding warranty policy or coverage, please contact TOTO U.S.A. Inc., Customer Service Department, 1155 Southern Road, Morrow, GA 30260 (888) 295-8134 or (678) 466-1300 when calling from outside of U.S.A.

TABLE OF CONTENTS

Thanks for Choosing TOTO!.....	2
Common Tools Needed.....	2
Included Parts	2
Before Installation.....	3
Installation Procedure.....	3-5
Toilet Tank Fill Valve Instructions	5-6
Flush Valve Servicing Instructions	7
Care and Cleaning	7
Warranty.....	8
Rough-In Dimensions	24
Replacement Parts.....	25

THANKS FOR CHOOSING TOTO!

The mission of TOTO is to provide the world with healthy, hygienic and more comfortable lifestyles. We design every product with the balance of form and function as a guiding principle. Congratulations on your choice.

COMMON TOOLS NEEDED





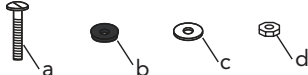
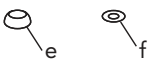
- | | |
|---|--|
| <ul style="list-style-type: none"> • 10" adjustable wrench • Carpenter's Level • Hacksaw • Tape Measure | <ul style="list-style-type: none"> • Hand Pliers • Flat Screwdriver • Putty Knife |
|---|--|

ADDITIONAL ITEMS (NOT SUPPLIED BY TOTO):

- Bowl Wax Ring
- Closet Flange Mounting Bolts
(usually 2 T-bolts, 2 metal washers and 2 nuts)
- Water Supply Line
(typically 1/2" compression to 7/8" ballcock)
- Toilet Seat (TOTO SoftClose recommended)

INCLUDED PARTS

Check to make sure you have all these parts from the package:

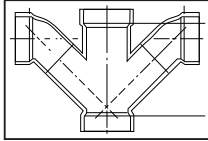
 China Bowl	 Tank	 Tank Lid	 Tank to Bowl Gasket
<p>Tank to Bowl Hardware</p>  <p>a. Bolts (metal) - 2 b. Washers (rubber) - 2</p> <p>c. Washers (metal) - 4 d. Nuts (metal) - 4</p>		<p>Flange Caps (for Bowl)</p>  <p>e. Caps (plastic) - 2 f. Base (plastic) - 2</p>	

BEFORE INSTALLATION

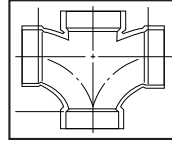
- ④ Read these instructions thoroughly before beginning work.
- ④ Please leave instructions for customers. These instruction contain maintenance and warranty information.
- ④ If necessary, remove the existing toilet.

IMPORTANT!

Due to the powerful performance of our Cyclone, G-Max, E-Max and Power Gravity flushing systems, they are not specified for back-to-back installations. The only means of installing these toilets in a back-to-back situation is when the toilet drain connections incorporate a WYE fitting. Please contact your builder or contractor prior to this installation.

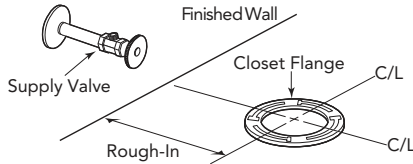


Double Combination WYE / 1/8 Bend
YES



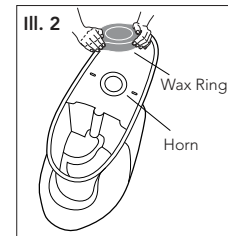
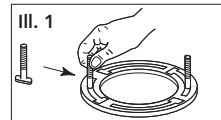
Double Sanitary Tee / Sanitary Cross
NO

In order for your new TOTO toilet to fit correctly, the distance between the finished wall to the center of the closet flange must be at 10 to 12 inches. This measurement is called the Rough-In.



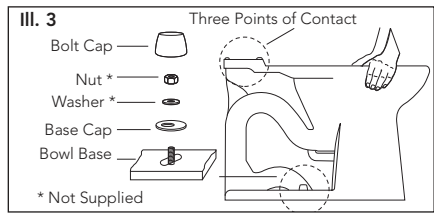
INSTALLATION PROCEDURE

- 1) Clean any debris out of the closet flange and then install new mounting bolts (not supplied) into the slots of the closet flange (see Illustration 1). The head of the bolt should be inserted into the slot with its threads facing upward.
- 2) Carefully turn the toilet upside down onto some padding. Firmly press a new bowl wax ring (not supplied) onto the circular recess around the toilet bowl's horn (see Illustration 2). Turn the toilet upright and gently lower into position over the closet flange. With toilet properly aligned, press firmly on both sides of toilet rim to set the bowl wax ring (see Illustration 3).



CAUTION: Do not move the bowl after the bowl wax ring is set. Thread the nuts and tighten evenly until bowl is snug to closet flange. Install the bolt caps (see Illustration 3).

CAUTION: Do not over-tighten the nuts as damage to the china bowl may result.



Installation Procedures (continued)

NOTE: Three Points of Contact:

The toilet bowl has three points of contact, which will actually contact the bottom of the toilet tank when properly installed. The location of these points can be seen on the bowl at the tank receiving area. The three points are front left (1), front right (2), and back center (3). Recall these three points during the Toilet Tank installation

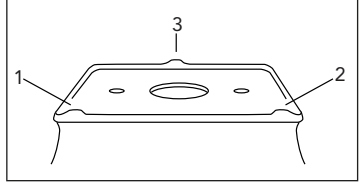
- 3) Place the tank upside down onto some padding. Inspect the smaller fill valve nut and larger flush valve nut for a secure connection (see Illustration 4). Try to tighten the nuts with your hands. If loose, tighten the nut hand tight and an additional 1/4 turn for the smaller fill valve nut and an additional 1/2 turn for the larger flush valve nut.

Place the tank-to-bowl gasket onto the flush valve nut. While pressing down, spread the gasket over the nut until the gasket touches the bottom of the tank. A slight gap between the tank bottom and the gasket is allowable.

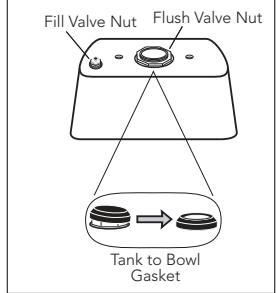
- 4) Lay the tank down on its back. Place a rubber washer onto a brass bolt (see Illustration 5). Reach inside the tank and position the bolt through one of the holes in the bottom of the tank. On the outside of the tank, place a metal washer and nut onto the bolt. Hold the bolt centered in the hole and tighten the nut finger tight. Turn the nut an additional 1/2 turn with a wrench. Repeat this process for the remaining hole in the tank.

Pick up the tank and carefully guide the brass bolts to align the tank with the bowl. Attach a metal washer and nut to each bolt. Tighten the nuts finger tight and inspect that the tank is level (see Illustration 6). Once level, tighten the bolts equally until the tank makes **THREE POINTS OF CONTACT** with the bowl.

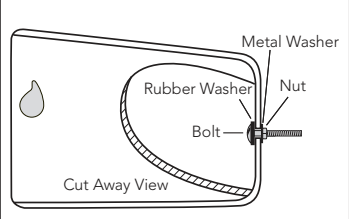
Points of Contact



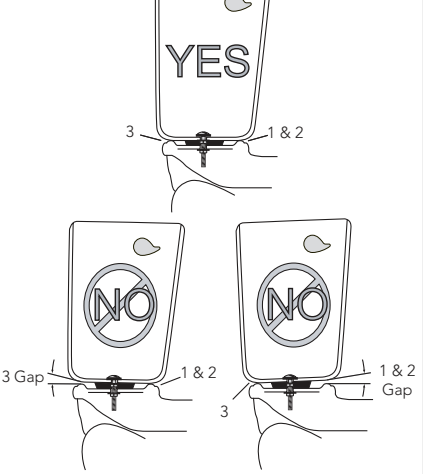
III. 4



III. 5

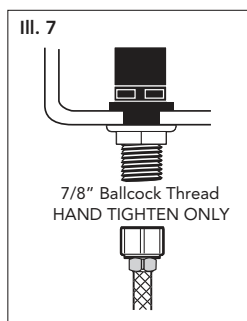


III. 6



Installation Procedures (continued)

- 5) Flush the water supply line for a few seconds to remove any debris that may enter the new fill valve. (For new home constructions and/or additions, flush the water supply line for more than a minute to help remove any residual PVC adhesives, solder flux, and/or pipe sealants that were used for the new plumbing.) Connect the water supply line to the fill valve threads as seen at the bottom of toilet tank (see Illustration 7). Tighten this connection finger tight.



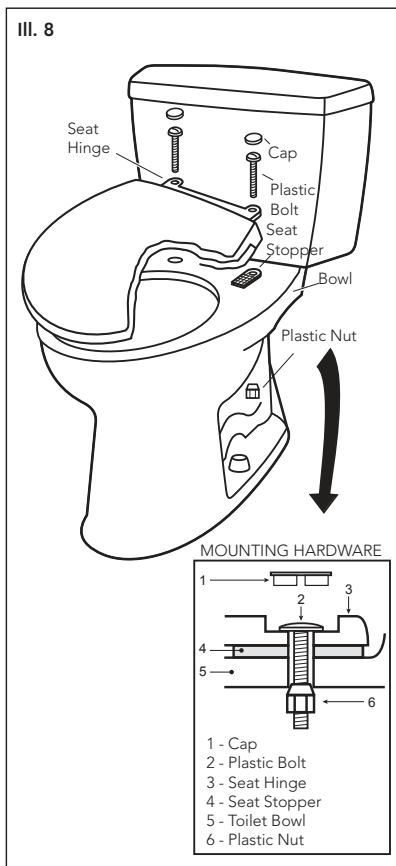
CAUTION: Avoid using a wrench to tighten the connection as you may damage the plastic threads and/or cause the fill valve to rotate inside the tank.

NOTE: The water supply pressure should be 20 to 80 psi static.

- 6) No ballcock / fill valve adjustments are needed. The water will automatically stop at proper level.

Flush the toilet several times. Check flapper valve for proper operation. Make sure that chain is not tangled and that the flapper arm is in its proper position.

- 7) Install the toilet tank lid onto the toilet tank top.
- 8) Install the toilet seat onto the toilet bowl using the mounting hardware in the toilet seat box. Place seat onto bowl and rotate the hinge down. Position seat stoppers under the seat hinge. Insert bolt into seat hinge and through the toilet bowl. Install plastic nut onto bolt from underneath. Tighten the bolt securely. Install the seat bolt caps.



NOTE: Tighten the seat bolt until the hinge is secure. The seat and lid will have slight side to side movement, which is normal. This freedom of movement allows the seat to SoftClose® without binding.

TOILET TANK FILL VALVE INSTRUCTIONS

Installation Procedure

- 1) Shut off the water supply to the toilet.
- 2) Flush toilet and remove remaining water from tank with a sponge.
- 3) Remove the water supply connection at the fill valve.
- 4) Remove old fill valve and use damp sponge to clean hole in tank.

Installation Procedures (continued)

- 5) Place new fill valve inside tank hole.
- 6) Thread mounting nut onto fill valve shank and tighten the nut.

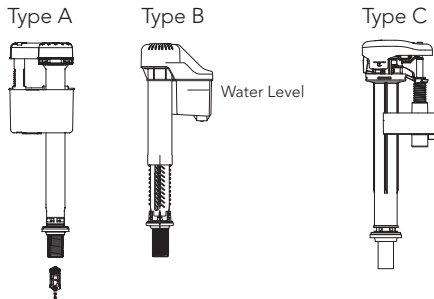
NOTE: Do not over-tighten. Be sure to install fill valve in a position that does not interfere with the trip lever operation.
- 7) Connect water supply to fill valve shank and hand-tighten only.

NOTE: Do not overtighten. These are plastic parts. Never use pipe dope on any water supply connection.
- 8) Attach refill tube to fill valve nipple and clip other end of refill tube to the overflow pipe.
- 9) Turn water supply ON and check for leaks outside the tank.

NOTE: As water fills the tank, water is also directed into the overflow tube via the refill tube. This additional flow of water is critical to refilling your toilet's bowl. Once the water stops filling the tank, some residual drops of water may drip from the fill valve. This is NORMAL as these drops will subside.

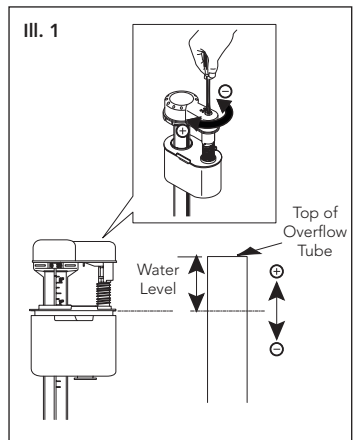
Water Level Adjustment

Depending on the manufacturing plant, you may have one of two of the following fill valves:



For Type A and Type C Fill Valve:
 Refer to the water level (WL) setting marked on the inner wall of the tank. Allow the water to fill the tank. Turn the adjustment screw clockwise in the (+) direction to increase the water level height (see Illustration 1). Turn the adjustment screw counter-clockwise in the (-) direction to decrease the water level height. Flush the toilet to verify the correct water level. Adjust as necessary.

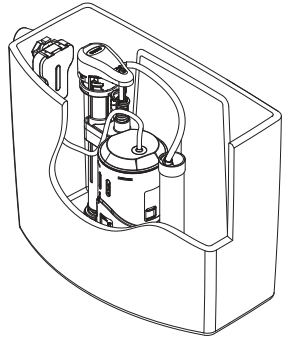
For Type B Fill Valve:
 There are no water level adjustments. The fill valve has been preset at the factory.



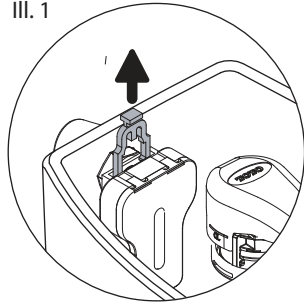
FLUSH VALVE SERVICING INSTRUCTION

(ST453U Model Tank Only)

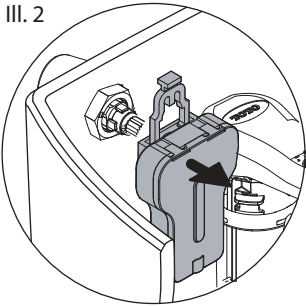
1. Turn off water supply and flush the toilet. Remove the remaining water from tank with a sponge.
2. Remove the tank lid and place it upside down on a clean surface.
3. Pull the clip on top of trip lever gear box as shown.
4. Pull gear box away and set on the side as shown. (see III. 1 & III. 2)
5. Rotate and pull up on the flush tower to remove it. (see III. 3)
6. Remove the grey rubber seal gasket and rinse under running water to clean. (see III. 4)
7. Place the gasket back on the flush tower.
8. Align and place the flush tower into housing and gently press to snap and to lock into place.
9. Replace the trip lever gear box and push down on lever to lock it in place.
10. Carefully install the tank lid back on the tank.
11. Flush the toilet several times making sure the trip lever operates normally.
12. Check the water level in the tank and leak.



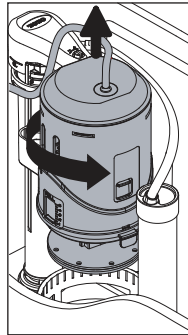
III. 1



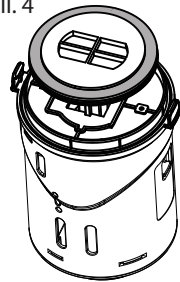
III. 2



III. 3



III. 4



CARE AND CLEANING

WARNING!

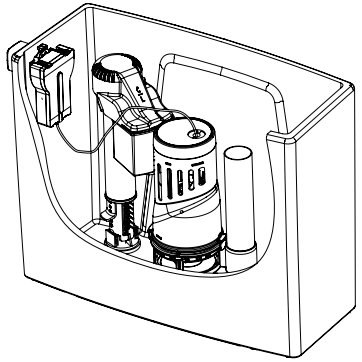
DO NOT USE IN-TANK BOWL CLEANERS.

The use of high concentration of chlorine or chlorine-related products can seriously damage fittings in the tank. This damage can cause leakage and property damage. TOTO shall not be responsible or liable for any tank fitting failure or damage caused by the use of in-tank bowl cleaners.

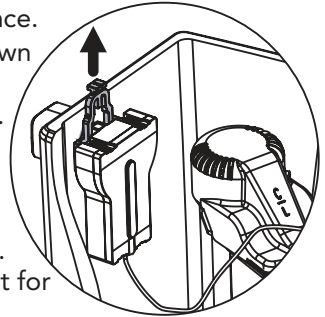
FLUSH VALVE SERVICING INSTRUCTION

ST494M (CST494CEMFG)

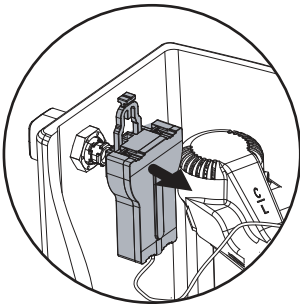
- 1) Shut off the water supply to the toilet.
- 2) Flush toilet and remove remaining water from tank with a sponge.
- 3) Remove the tank lid and place it upside down on a clean surface.
- 4) Pull the clip on top of trip lever gear box as shown.
- 5) Pull gear box away and set on the side as shown. (see III. 1 & III. 2)
- 6) Rotate and pull up on the flush tower to remove it. (see III. 3)
- 7) Remove the grey rubber seal gasket and rinse under running water to clean. (see III. 4)
- 8) Place the gasket back on the flush tower.
- 9) Align and place the flush tower into housing and gently press to snap and to lock into place.
- 10) Replace the trip lever gear box and push down on lever to lock it in place.
- 11) Carefully install the tank lid back on the tank.
- 12) Flush the toilet several times making sure the trip lever operates normally. Pull trip lever handle Forward for the Full Flush and Push backward for the Light Flush.
- 13) Check the water level in the tank and inspect for signs of any leakage.



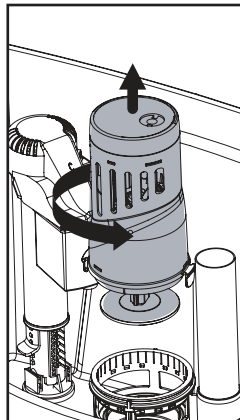
III. 1



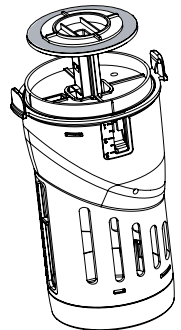
III. 2



III. 3



III. 4



WARRANTY

1. TOTO warrants its vitreous china products ("Product") to be free from defects in materials and workmanship during normal use when properly installed and serviced, for a period of one (1) year from date of purchase. This limited warranty is extended only to the ORIGINAL PURCHASER of the Product and is not transferable to any third party, including but not limited to any subsequent purchaser or owner of the Product. This warranty applies only to TOTO Product purchased and installed in North, Central and South America.
2. TOTO's obligations under this warranty are limited to repair, replacement or other appropriate adjustment, at TOTO's option, of the Product or parts found to be defective in normal use, provided that such Product was properly installed, used and serviced in accordance with instructions. TOTO reserves the right to make such inspections as may be necessary in order to determine the cause of the defect. TOTO will not charge for labor or parts in connection with warranty repairs or replacements. TOTO is not responsible for the cost of removal, return and/or reinstallation of the Product.
3. This warranty does not apply to the following items:
 - a. Damage or loss sustained in a natural calamity such as fire, earthquake, flood, thunder, electrical storm, etc.
 - b. Damage or loss resulting from any accident, unreasonable use, misuse, abuse, negligence, or improper care, cleaning, or maintenance of the Product.
 - c. Damage or loss resulting from sediments or foreign matter contained in a water system.
 - d. Damage or loss resulting from improper installation or from installation of the Product in a harsh and/or hazardous environment, or improper removal, repair or modification of the Product. (NOTE: Product model codes allow a maximum of 80 PSI. Check local codes or standards for requirements).
 - e. Damage or loss resulting from electrical surges or lightning strikes or other acts which are not the fault of TOTO or which the Product is not specified to tolerate.
 - f. Damage or loss resulting from normal and customary wear and tear, such as gloss reduction, scratching or fading over time due to use, cleaning practices or water or atmospheric conditions.
 - g. Tank flushing mechanisms of plastic or rubber moving parts.
 - h. Toilet seats of plastic, wood or metal.
4. In order for this limited warranty to be valid, proof of purchase is required. TOTO encourages warranty registration upon purchase to create a record of Product ownership at <http://www.totousa.com>. Product registration is completely voluntary and failure to register will not diminish your limited warranty rights.
5. THIS WARRANTY GIVES YOU SPECIFIC LEGAL RIGHTS. YOU MAY HAVE OTHER RIGHTS WHICH VARY FROM STATE TO STATE, PROVINCE TO PROVINCE OR COUNTRY TO COUNTRY.
6. To obtain warranty repair service under this warranty, you must take the Product or deliver it prepaid to a TOTO service facility together with proof of purchase (original sales receipt) and a letter stating the problem, or contact a TOTO distributor or products service contractor, or write directly to TOTO U.S.A., INC., 1155 Southern Road, Morrow, GA 30260 (678) 466-1300 or (888) 295-8134, if outside the U.S.A. If, because of the size of the Product or nature of the defect, the Product cannot be returned to TOTO, receipt by TOTO of written notice of the defect together with proof of purchase (original sales receipt) shall constitute delivery. In such case, TOTO may choose to repair the Product at the purchaser's location or pay to transport the Product to a service facility.

WARNING! TOTO shall not be responsible or liable for any failure of, or damage to, this Product caused by either chloramines in the treatment of public water supply or cleaners containing chlorine (calcium hypochlorite). NOTE: The use of a high concentrate chlorine or chlorine related products can seriously damage the fittings. This damage can cause leakage and serious property damage.

THIS WRITTEN WARRANTY IS THE ONLY WARRANTY MADE BY TOTO. REPAIR, REPLACEMENT OR OTHER APPROPRIATE ADJUSTMENT AS PROVIDED UNDER THIS WARRANTY SHALL BE THE EXCLUSIVE REMEDY AVAILABLE TO THE ORIGINAL PURCHASER. TOTO SHALL NOT BE RESPONSIBLE FOR LOSS OF THE PRODUCT OR FOR OTHER INCIDENTAL, SPECIAL OR CONSEQUENTIAL DAMAGES OR EXPENSES INCURRED BY THE ORIGINAL PURCHASER, OR FOR LABOR OR OTHER COSTS DUE TO INSTALLATION OR REMOVAL, OR COSTS OF REPAIRS BY OTHERS, OR FOR ANY OTHER EXPENSE NOT SPECIFICALLY STATED ABOVE. IN NO EVENT WILL TOTO'S RESPONSIBILITY EXCEED THE PURCHASE PRICE OF THE PRODUCT. EXCEPT TO THE EXTENT PROHIBITED BY APPLICABLE LAW, ANY IMPLIED WARRANTIES, INCLUDING THAT OF MERCHANTABILITY OR FITNESS FOR USE OR FOR A PARTICULAR PURPOSE, ARE EXPRESSLY DISCLAIMED. SOME STATES DO NOT ALLOW LIMITATIONS ON HOW LONG AN IMPLIED WARRANTY LASTS, OR THE EXCLUSION OR LIMITATION OF INCIDENTAL OR CONSEQUENTIAL DAMAGES, SO THE ABOVE LIMITATION AND EXCLUSION MAY NOT APPLY TO YOU.

ÍNDICE

¡Gracias Por Elegir TOTO!.....	9
Herramientas Necesarias Común	9
Incluía Partes.....	9
Antes de la Instalación.....	10
Procedimiento de Instalación.....	10-12
Instrucciones Para la Instalación de la Válvula de Llenado del Tanque de la Cisterna	13-14
Cuidado y Limpieza.....	15
Garantía.....	16
Dimensiones Preliminares.....	24
Refacciones.....	25

¡GRACIAS POR ELEGIR TOTO!

La misión de TOTO es dar al mundo estilos de vida más saludables, higiénicos y cómodos. Diseñamos cada producto guiándonos por el principio del equilibrio entre forma y función. Felicitaciones por su elección.

HERRAMIENTAS NECESARIAS COMÚN

- Llave Ajustable de 10 Pulgadas
- Nivel de Carpintero
- Sierra Para Metales
- Cinta Para Medir
- Pinzas Manuales
- Destornillador de Cabeza Plana
- Espátula

MATERIALES ADICIONALES (NO SUMINISTRADOS POR TOTO):

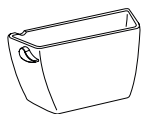
- Sello/Anillo de Cera
- Pernos de Montaje pra la Brida del Suelo
(Generalmente 2 pernos en T, 2 rondanas, y 2 tuercas)
- Línea Abastecedora de Agua
(Generalmente compresión de 1/2" hasta flotador de 7/8")
- Silla del inodoro (Se recomienda silla TOTO SoftClose)

INCLUDED PARTS

Asegúrese de que tiene todas las piezas del empaque:



Porcelana Recipiente



Tanque

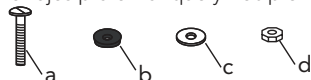


Tapa del Tanque



Empaquetadura
Tanque - Recipiente

Herrajes pra el Tanque y Recipiente



- a. Pernos (metálicos) - 2
b. Rondanas (goma) - 2
c. Rondanas (metálicos) - 4
d. Tuercas (metálicas) - 4

Tapas de la Brida (Para el Recipiente)



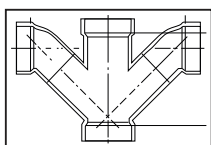
- e. Tapas (plástica) - 2
f. Base (plástica) - 2

ANTES DE LA INSTALACIÓN

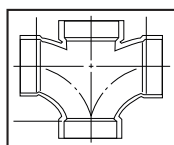
- ④ Lea estas instrucciones detenidamente antes de comenzar a trabajar.
- ④ Proporcione las instrucciones a los clientes. Estas instrucciones contienen información sobre el mantenimiento y la garantía.
- ④ Si es necesario, quite el inodoro existente.

¡IMPORTANTE!

Debido a la potente rendimiento de nuestro Ciclón, G-Max, S-Max y la gravedad de alimentación de agua corriente, no se precisan para las instalaciones de "back-to-back". La única forma de instalar estos baños en una situación de "back-to-back" es cuando las conexiones del desagüe WC incorporar un accesorio estrella. Por favor, póngase en contacto con su constructor o contratista antes de esta instalación.

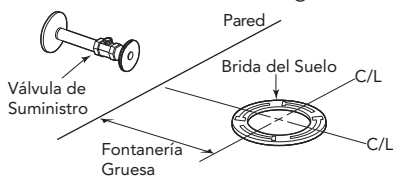


Doble Combinación WYE / 1/8 Curva
SI



Doble Sanitarias T / Sanitarias Cruz
NO

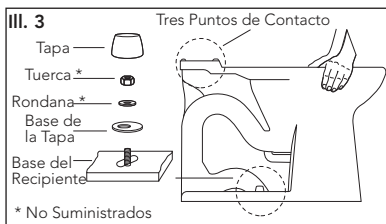
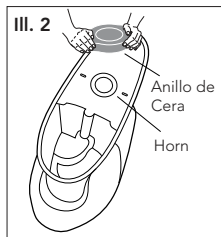
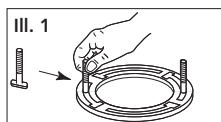
Con el fin que su nuevo inodoro TOTO se adapte correctamente, La distancia desde la pared hasta el centro de la brida del suelo, debe ser al menos de 10 para 12 pulgadas. Esta medida se conoce como fontanería gruesa.



PROCEDIMIENTO DE INSTALACIÓN

- 1) Limpie la suciedad de la brida del suelo, luego instale los nuevos pernos de montaje (no suministrados) en las ranuras de la brida del suelo (ver Ilustración 1). La cabeza del perno debe insertarse en la ranura con el vástago roscado apuntando hacia arriba.
- 2) Dé vuelta al inodoro con mucho cuidado de modo que quede mirando hacia abajo sobre un acolchonado. Presione firmemente un nuevo anillo de cera de recipiente (no suministrado) sobre el encastre circular alrededor de la apertura de salida (ver Ilustración 2). Levante el inodoro en dirección vertical y suavemente bájelo hasta colocarlo sobre la brida del suelo. Con el inodoro debidamente alineado, presione firmemente a ambos lados el borde del inodoro para fijar el anillo de cera del recipiente (ver Ilustración 3).

PRECAUCIÓN: No mueva el recipiente una vez haya fijado el anillo de cera. Enrosque las tuercas y apriételas igualmente hasta que el inodoro quede ajustado a la brida del suelo. Instale las tapas de los pernos. (ver Ilustración 3). No apriete demasiado las tuercas a los daños a la taza porcelana.



- III. 3**
- Tapa
 - Tuerca*
 - Rondana*
 - Base de la Tapa
 - Base del Recipiente
- * No Suministrados

Procedimiento de Instalación (continuación)

NOTA: Tres puntos de Contacto:

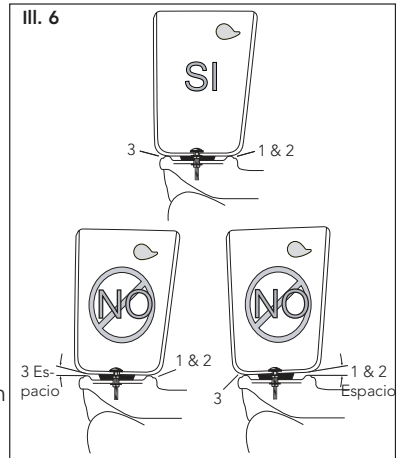
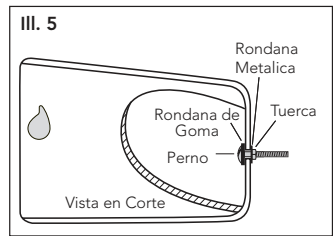
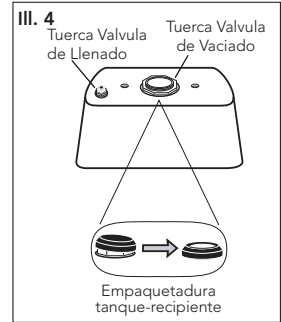
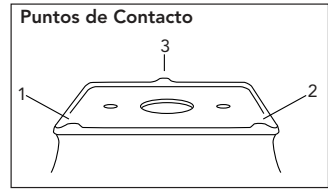
El recipiente del inodoro tiene tres puntos de contacto, los cuales deberán tocar la parte de abajo del tanque cuando se es instalado debidamente. La ubicación de estos puntos puede ser vista en la parte del recipiente donde debe ir el tanque. Los tres puntos son delantero izquierdo (1), delantero derecho (2), y tracero central (3). Recuerde estos tres puntos cuando esté instalando el tanque. en la parte del recipiente donde debe ir el tanque. Los tres puntos son delantero izquierdo (1), delantero derecho (2), y tracero central (3). Recuerde estos tres puntos cuando este instalando el tanque.

- 3) Dé vuelta al inodoro de modo que quede mirando hacia abajo sobre algún acolchonado. Inspeccione la tuerca pequeña de la válvula de llenado y la tuerca grande de la válvula de vaciado para garantizar la conexión (ver Ilustración 4). Trate de apretar las turcas con su mano. Si aún siguen holgadas, apriéte las manual mente y dé 1/4 de vuelta adicional a la tuerca pequeña de la válvula de llenado y 1/2 vuelta a la tuerca grande de la válvula de vaciado.

Coloque la empaquetadura del tanque-recipiente sobre la tuerca de la válvula de vaciado. Mientras presiona hacia abajo, despliegue la empaquetadura sobre la tuerca hasta que esta toque el fondo del tanque. Un pequeño espacio entre el fondo del tanque y la empaquetadura está permitido.

- 4) Acueste el tanque sobre su parte trasera. Coloque una rondana de goma en el perno metálico (ver Ilustración 5). Extienda su mano dentro del tanque y coloque el perno a través de uno de los orificios del fondo del tanque. En la parte de afuera del tanque, coloque una rondana metálica y una tuerca en el perno. Mantenga el perno centrado en el orificio y apriete la turca con sus dedos. Dé 1/2 vuelta adicional a la tuerca con la llave para tubería. Repita este proceso para el otro orificio del tanque.

Levante el tanque y cuidadosa - mente guíe los pernos metálicos para alinear el tanque con el recipiente. Fije una rondana metálica y una tuerca a cada perno. Apriete las tuercas con sus dedos e inspeccione que el tanque haya quedado nivelado. Una vez nivelado, apriete los pernos igualmente hasta que el tanque haga TRES PUNTOS DE CONTACTO con el recipiente.



Procedimiento de Instalación (continuación)

- 5) Descargue la línea de suministro de agua por algunos segundos para remover cualquier suciedad que haya entrado a la nueva válvula de llenado. (Para construcciones nuevas y/o adiciones, descargue la línea de suministro de agua por más de 1 minuto para ayudar a remover cualquier residuo de adhesivo de PVC, soldadura plástica, y/o sellantes de tubería que fueron usados para la nueva tubería). Conecte la línea de suministro de agua a la rosca de la válvula de llenado como se ve en la parte de abajo del tanque del inodoro (ver Ilustración 7). Apriete esta conexión con sus dedos.

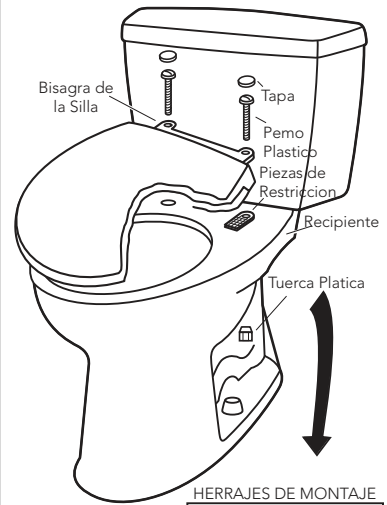


PRECAUCIÓN: Evite usar una llave para tubería al apretar la tubería ya que esto podría dañar las roscas plásticas y/o causar que la válvula de llenado rote dentro del tanque.

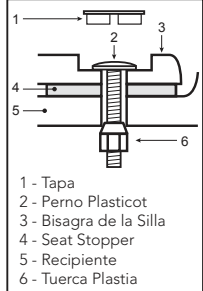
NOTA: La presión de la línea de suministro de agua debe ser de 20 a 80 psi estática.

- 6) No es necesario ajustar la válvula de relleno/llave del flotador.
- El agua se tendrá al nivel apropiado de forma automática. Tire la cadena varias veces. Controle que la válvula de la cisterna funcione adecuadamente. Asegúrese de que la cadena no esté enredada y que el brazo de la cisterna se encuentre en la posición correcta.
- 7) Instale la tapa del tanque en el inodoro.
- 8) Instale el asiento del inodoro sobre el recipiente, usando los herrajes de montaje de la caja del asiento del inodoro (ver Ilustración 8). Coloque la silla sobre el recipiente y rote la bisagra hacia abajo. Posicione las piezas de restricción de la silla debajo de las bisagras de la silla. Introduzca el perno dentro de la bisagra de la silla y a través del recipiente del inodoro. Instale la tuerca plástica en el perno desde la parte de abajo. Apriete los pernos asegurándolos. Instale las tapas.

III. 8



HERRAJES DE MONTAJE



NOTA: Apriete los pernos de la silla hasta que la bisagra esté asegurada. La silla y la tapa tendrán pequeños movimientos de lado a lado, esto es normal. Esta libertad de movimiento permite que la silla SoftClose® cierre sin que se golpee.

INSTRUCCIONES PARA LA INSTALACIÓN DE LA VÁLVULA DE LLENADO DEL TANQUE DE LA CISTERNA

Procedimiento de Instalación

- 1) Cierre el suministro de agua al excusado.
- 2) Tire la cadena y retire el agua restante del tanque con una esponja.
- 3) Quite la conexión del suministro de agua de la válvula de llenado.
- 4) Quite la válvula de llenado anterior y utilice la esponja húmeda para limpiar el orificio del tanque.
- 5) Coloque la válvula de llenado nueva en el orificio del tanque.
- 6) Enrosque la tuerca de montaje en el vástago de la válvula de llenado y ajuste la tuerca.

NOTA: No ajuste demasiado. Asegúrese de instalar la válvula de llenado en una posición que no interfiera con el funcionamiento de la palanca de descarga.

- 7) Conecte el suministro de agua al vástago de la válvula de llenado y sólo ajústelo manualmente.

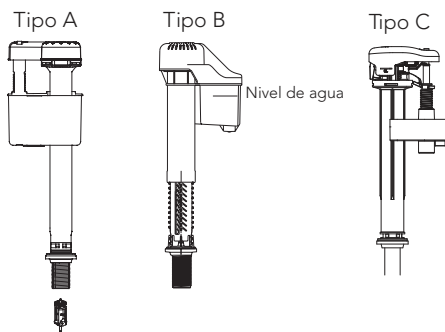
NOTA: No ajuste demasiado. Éstas son piezas plásticas. No utilice lubricante en ninguna conexión de suministro de agua.

- 8) Conecte el tubo de relleno al niple de la válvula y sujete el otro extremo del tubo de relleno al tubo de desagüe.
- 9) Abra el suministro de agua y verifique que no haya pérdida de agua fuera del tanque.

NOTA: A medida que el agua llene el tanque, también será derivada al tubo de desagüe a través del tubo de relleno. Este flujo de agua adicional es fundamental para rellenar el recipiente del excusado. Una vez que el tanque está lleno y el suministro de agua se interrumpe, es probable que caigan algunas gotas de agua residual de la válvula de llenado. Esto es NORMAL y las gotas dejarán de caer.

Ajuste del Nivel del Agua

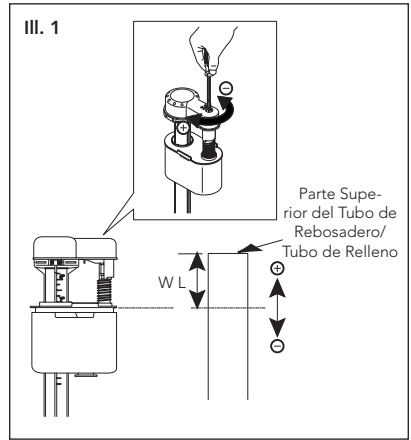
Dependiendo de la planta de fabricación, usted debe tener una o ambas de las siguientes válvulas de llenado:



Ajuste del Nivel del Agua (continuación)

Para una Válvula de Llenado Tipo A y C:
Refere a la marca para el nivel de agua (WL) en la pared interior del tanque.
Permita que el agua llene el tanque. Gire el tornillo de ajuste en el sentido de las agujas del reloj en la dirección (+) para aumentar la altura del nivel del agua. (ver Ilustración 1). Gire el tornillo en sentido contrario a las agujas del reloj en la dirección (-) para disminuir la altura del nivel del agua. Tire la cadena para verificar el nivel correcto del ajuste si es necesario.

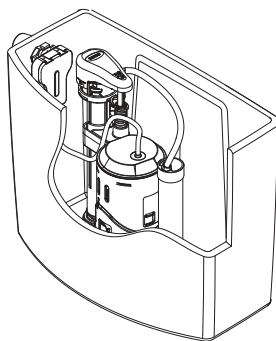
Para la Válvula Tipo B:
No hay ajustes de niveles de agua. La válvula de llenado nado se ha predeterminado de fábrica.



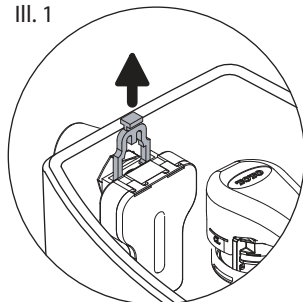
INSTRUCCIONES DE MANTENIMIENTO DE LA VÁLVULA DE DESCARGA

(Solo tanque del modelo ST453U)

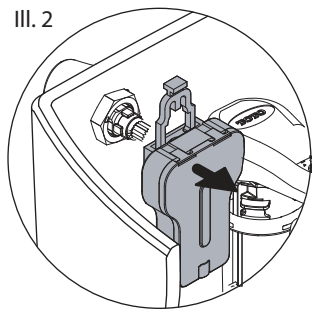
1. Cierre el suministro de agua y descargue el inodoro.
2. Quite la tapa del tanque y déjela invertida sobre una superficie limpia.
3. Levante la traba ubicada en la parte superior de la caja de cambios de la palanca de descarga como se muestra.
4. Retire la caja de cambios y deje a un lado como se muestra. (ver III. 1 y III. 2)
5. Rote y tire hacia arriba la torre de descarga para quitarla. (ver III.3)
6. Quite la junta de sello de goma gris y enjuáguela bajo el chorro de agua corriente para limpiarla. (ver III.4)
7. Coloque la junta nuevamente sobre la torre de descarga.
8. Alinee y coloque la torre de descarga sobre la base y presiónela suavemente para que entre y se asegure en su lugar.
9. Vuelva a colocar la caja de cambios de la palanca de descarga y presione la traba para que la caja quede asegurada en su lugar.
10. Coloque nuevamente la tapa con cuidado sobre el tanque.
11. Descargue el inodoro varias veces a fin de asegurarse de que la palanca de descarga funcione normalmente.
12. Controle que el nivel de agua del inodoro sea el adecuado y que no haya pérdidas.



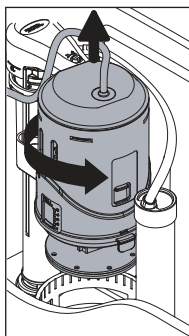
III. 1



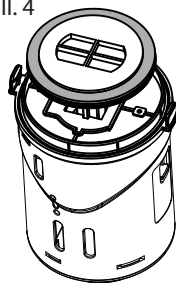
III. 2



III. 3



III. 4



CUIDADO Y LIMPIEZA

¡ADVERTENCIA!
NO USE LIMPIADORES DE TAZAS DE
INODOROS DENTRO DEL TANQUE.

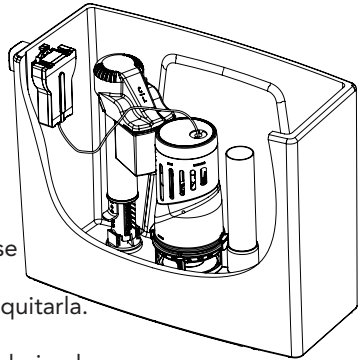
El uso de productos con altas concentraciones de cloro o productos derivados del cloro puede dañar seriamente los accesorios del tanque y causar filtraciones o daños a sus partes.

TOTO no se hace responsable por ningún tipo de falla o daño en los accesorios del tanque causados por el uso de limpiadores de tazas de inodoros dentro del tanque.

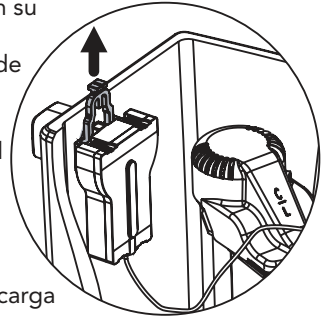
INSTRUCCIONES DE MANTENIMIENTO DE LA VÁLVULA DE DESCARGA

ST494M (CST494CEMFG)

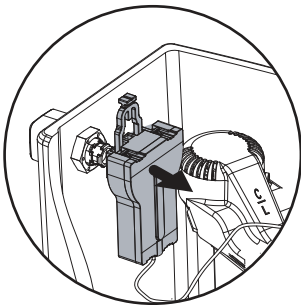
1. Cierre el suministro de agua del inodoro.
2. Descargue el inodoro y elimine el agua restante del tanque con una esponja.
3. Quite la tapa del tanque y déjela invertida sobre una superficie limpia.
4. Levante la traba ubicada en la parte superior de la caja de cambios de la palanca de descarga como se muestra.
5. Retire la caja de cambios y deje a un lado como se muestra. (ver III. 1 y III. 2)
6. Rote y tire hacia arriba la torre de descarga para quitarla. (ver III.3)
7. Quite la junta de sello de goma gris y enjuéguela bajo el chorro de agua corriente para limpiarla. (ver III.4)
8. Coloque la junta nuevamente sobre la torre de descarga.
9. Alinee y coloque la torre de descarga sobre la base y presiónela suavemente para que entre y se asegure en su lugar.
10. Vuelva a colocar la caja de cambios de la palanca de descarga y presione la traba para que la caja quede asegurada en su lugar.
11. Coloque nuevamente la tapa con cuidado sobre el tanque.
12. Descargue el inodoro varias veces a fin de asegurarse.
13. Revise el nivel de agua en el tanque e inspeccione si hay signos de fugas.



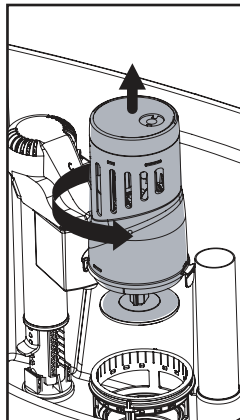
III. 1



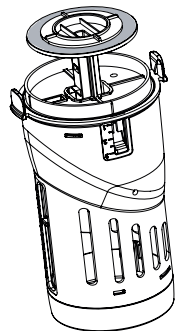
III. 2



III. 3



III. 4



GARANTÍA

1. TOTO garantiza que su vitreos china producto no presenta defectos en sus materiales ni de fabricación durante su uso normal cuando es instalado y mantenido adecuadamente, por un periodo de uno (1) año(s) a partir de la fecha de compra. Esta garantía limitada es válida solamente para el COMPRADOR ORIGINAL del Producto y no es transferible a una tercera persona, incluyendo, pero sin limitarse a, cualquier comprador o propietario subsecuente del Producto. Esta garantía aplica solamente al Producto TOTO comprado e instalado en América del Norte, Central, Latina y del Sur.
2. Las obligaciones de TOTO bajo esta garantía se limitan a la reparación, cambio o cualquier otro ajuste, a petición de TOTO, del Producto o partes que resulten defectuosas en su uso normal, siempre que dicho Producto haya sido instalado, utilizado y mantenido de acuerdo con las instrucciones. TOTO se reserve el derecho de hacer tantas inspecciones como sean necesarias para determinar la causa del defecto. TOTO no cobrará por la mano de obra o partes relacionadas con las reparaciones o cambios garantizados. TOTO no es responsable por el costo de la remoción, devolución y/o reinstalación del Producto.
3. Esta garantía no aplica en los siguientes casos:
 - a) Daño o pérdida ocurrida en un desastre natural, tal como: incendio, sismo, inundación, relámpago, tormenta eléctrica, etc.
 - b) Daño o pérdida resultado de cualquier accidente, uso inaceptable, mal uso, abuso, negligencia o cuidado, limpieza o mantenimiento inadecuado del Producto.
 - c) Daño o pérdida causada por los sedimentos o material extraña contenida en un sistema de agua.
 - d) Daño o pérdida causada por una mala instalación o por la instalación del Producto en un ambiente duro y/o peligroso, o una remoción, reparación o modificación inadecuada del Producto.
 - e) Daño o pérdida causada por sobrecargas eléctricas o rayos u otros actos que no sea responsabilidad de TOTO o que el Producto no esté especificado para tolerar.
 - f) Daño o pérdida causada por el uso normal y personalizado, tal como reducción del brillo, rayado o pérdida de color en el tiempo debido al uso, prácticas de limpieza o condiciones del agua o atmosféricas.
4. Para que esta garantía limitada sea válida, prueba de compra es necesaria. TOTO anima el registro de la garantía sobre compra para cree un archivo de la propiedad del producto en <http://www.totousa.com>. El registro del producto es totalmente voluntario y la falta a registrar no disminuirá sus derechos de garantía limitada.
5. ESTA GARANTÍA LE DA DERECHOS LEGALES ESPECÍFICOS. USTED PODRÍATENER OTROS DERECHOS QUE PUEDEN VARIAR DEPENDIENDO DEL ESTADO O PROVINCIA EN EL QUE SE ENCUENTRE.
6. Para obtener el servicio de reparación de esta garantía, debe llevar el Producto o enviarlo prepagado a un modulo de servicios TOTO junto con la prueba de compra (recibo de compra original) y una carta en la que plantee el problema, o póngase en contacto con un distribuidor TOTO o el contratista de servicio de los productos, o escriba directamente a TOTO U.S.A., INC., 1155 South - ern Road, Morrow, GA 30260 (678) 466-1300 o (888) 295-8134, si fuera de los E.E.U.U. Si, debido al tamaño del producto o naturaleza del defecto, el Producto no puede ser devuelto a TOTO, la recepción en TOTO del aviso escrito del defecto junto con la prueba de compra (recibo de compra original) constituirá el envío. En tal caso, TOTO podrá escoger entre reparar el Producto en el domicilio del comprador o pagar el transporte del Producto a un módulo de servicio.

ESTA GARANTÍA ESCRITA ES LA ÚNICA GARANTÍA HECHA POR TOTO. LA REPARACIÓN, CAMBIO U OTRO AJUSTE ADECUADO, TAL COMO APARECE EN ESTA GARANTÍA, SERÁ EL ÚNICO REMEDIO DISPONIBLE PARA EL COMPRADOR ORIGINAL. TOTO NO SERÁ RESPONSABLE POR LA PÉRDIDA DEL PRODUCTO O POR CUALQUIER OTRO DAÑO ACCIDENTAL, ESPECIAL O CONSECUENTE O POR DAÑOS INCURRIDOS POR EL COMPRADOR ORIGINAL, O POR LA MANO DE OBRA U OTROS COSTOS RELACIONADOS CON LA INSTALACIÓN O REMOCIÓN, O COSTOS DE REPARACIONES HECHAS POR OTROS, O POR CUALQUIER OTRO GASTO NO INDICADO DE MANERA ESPECÍFICA EN LOS PÁRRAFOS ANTERIORES. EN NINGÚN CASO LA RESPONSABILIDAD DE TOTO EXCEDERÁ EL PRECIO DE COMPRA DEL PRODUCTO. EXCEPTO EN LA MEDIDA EN QUE QUEDE PROHIBIDO POR LA LEYAPLICABLE, TODA GARANTÍA IMPLÍCITA, INCLUYENDO AQUELLAS DE COMERCIABILIDAD O IDONEIDAD DE USO PARA EL USO O PARA UN PROPÓSITO PARTICULAR, ESTÁ EXPRESAMENTE PROHIBIDA. ALGUNOS ESTADOS NO PERMITEN LAS LIMITACIONES ACERCA DE LA DURACIÓN DE UNA GARANTÍA TÁCITA, O LA EXCLUSIÓN O LIMITACIÓN DE DAÑOS INCIDENTALES O CONSECUENTES, POR LO QUE LA LIMITACIÓN E INCLUSIÓN ANTERIORES PUEDEN NO APLICAR A USTED.

AVISO TOTO no será responsable de fallas o daños ocasionados en este producto de plomería o componente del producto causados por cloraminas en el tratamiento del suministro de agua público o en los limpiadores en el recipiente del tanque que contengan cloro (hipoclorito de calcio). Nota: el uso de cloro en alta concentración o productos derivados del cloro puede dañar seriamente los accesorios. Este daño puede ocasionar fugas y daños graves en la propiedad. Para obtener más información, llámenos al (888) 295-8134.

TABLE DES MATIÈRES

Merci d'Avoir Choisi TOTO!	17
Outils Communs Nécessaires	17
Pièces Incluses	17
Avant de Commencer	18
Procédure d'Installation	18-20
Instructions du Robinet de Remplissage du Réservoir	20-21
Entretien et Nettoyage	22
Garantie	23
Dimensions Brutes	24
Pièces de Rechange	25

MERCI D'AVOIR CHOISI TOTO!

La mission de TOTO est d'offrir au monde entier un style de vie sain, hygiénique et plus confortable. Comme principe de base, nous concevons chaque produit avec un équilibre entre la forme et la fonction. félicitations pour votre choix.

OUTILS NÉCESSAIRES

- Clé à molette de 10" (25,40 cm)
- Niveau à bulle d'air
- Scie à main pour métaux
- Mètre à ruban
- Pince à main
- Tournevis plat
- Couteau à mastiquer

MATERIEL SUPPLEMENTAIRES (PAS FOURNIS PAR TOTO):

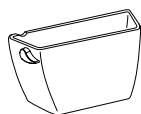
- Anneau de cire de la cuvette
- Boulons de Montage de la Bride de Sol des Toilette
(En général, 2 Boulons en T, 2 Rondelles métalliques et 2 Ecrus)
- Conduites d'Eau
(En général, une compression de 1/2" et un robinet à flotteur de 7/8")
- Siège des toilettes (Softclose recommandé)

PIÈCES INCLUSES

Assurez-vous que vous avez toutes ces parties de l'emballage:



Cuvette



Réservoir

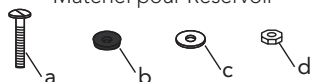


Couverture



Joint d'étanchéité

Matériel pour Réservoir



- a. Boulons (métal) - 2
b. Rondelles (caoutchouc) - 2
c. Rondelles (métal) - 4
d. Ecrus (métal) - 4

Capuchons pour bride (pour cuvette)



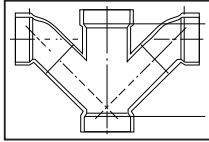
- e. Capuchons (plastique) - 2
f. Base (plastique) - 2

AVANT L'INSTALLATION

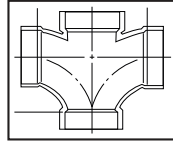
- Lisez attentivement ces instructions avant toute installation.
- Mettez la notice d'utilisation à l'attention des clients de côté. Ces instructions comprennent des informations relatives à l'entretien et à la garantie.
- Si nécessaire, retirez le WC existant.

IMPORTANT!

En raison de la performance de nos puissants cyclones, G-Max, E-Max et la puissance de pesanteur chasses d'eau, ils ne sont pas précisés pour les installations de back-to-back. Le seul moyen de l'installation de ces toilettes dans une situation de back-to-back, c'est quand les connexions du drain de toilette incorporer un raccord de Wye. S'il vous plaît contacter votre constructeur ou l'entrepreneur avant cette installation.

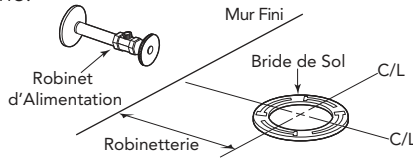


Combinaison Double WYE / 1/8 Coude
OUI



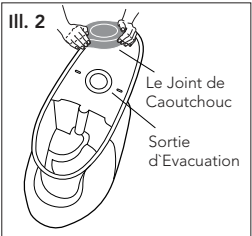
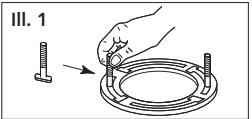
Double Sanitaires T / Sanitaires de la Croix
NON

Afin que vos nouvelles toilettes TOTO soient bien posées, la distance entre le mur fini et le centre de la bride de sol doit être d'au moins de 25,4 à 30,48 cm. Cette mesure est la robinetterie.



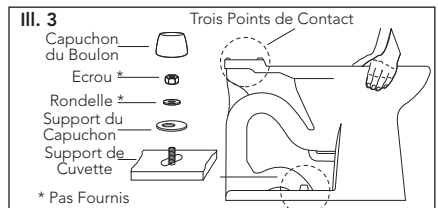
PROCÉDURE D'INSTALLATION

- 1) Nettoyez tout débris de la bride de sol des toilettes. Ensuite, installez les boulons de montage (pas fournis) dans les orifices de la bride (voir Illustration 1). Le boulon doit être insérés dans l'orifice avec la tête renversée et tige filetée dirigée vers le haut.
- 2) Retournez soigneusement la toilettes sur un rembourrage. Posez fermement un joint de cuvette en caoutchouc (pas fourni) sur la gorge circulaire autour de la sortie d'évacuation de la cuvette (voir Illustration 2). Retournez la toilette avec en la posant sur la bride de sol. Après l'avoir bien posée, exercez une force sur les bordures de la toilette pour fixer le joint (voir Illustration 3).



ATTENTION: Ne pas bouger la cuvette après avoir fixé le joint en caoutchouc. Posez les écrous et serrez jusqu'à ce que la cuvette soit stabilisée sur la bride. Placez les capuchons des boulons (voir Illustration 3).

ATTENTION: Ne pas trop serrer les écrous pour éviter d'endommager la cuvette en porcelaine.



Procédure d'Installation (suite)

NOTE: Trois Points de Contact:

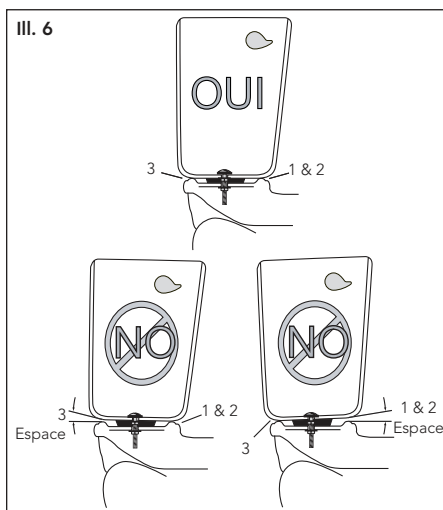
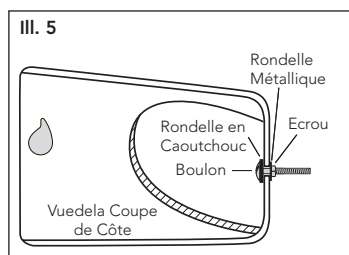
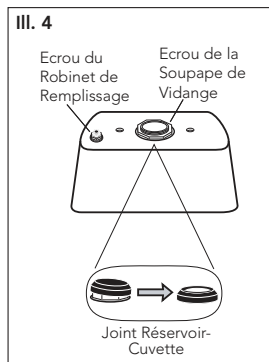
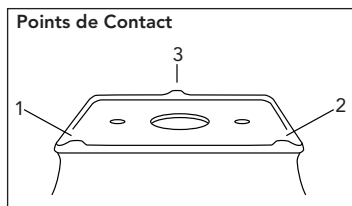
Lorsque la cuvette des toilettes est proprement installée, elle a trois points de contact avec le bas du réservoir. Ces points peuvent être vus sur la cuvette du côté de réception du réservoir. Ces points sont situés à: (1) avant-gauche, (2) avant-droit, et (3) arrière-centre. Répérez ces trois points pendant l'installation du réservoir.

- 3) Renversez le réservoir sur un rembourrage. Vérifiez le petit écrou de la valve de remplissage et le grand écrou de la soupape de vidange pour sécuriser la connexion (voir Illustration 4). Serrez l'écrou à la main. Si desserré, fixez en faisant un tour supplémentaire de 1/4 pour le petit écrou de la valve de remplissage, de 1/2 tour pour le grand écrou de la soupape de vidange.

Placez le joint réservoir-cuvette sur l'écrou de la soupape de vidange. En appuyant, étalez le joint autour de l'écrou jusqu'à ce que le joint touche le bas du réservoir. Un petit espace est permis entre le bas du réservoir et le joint.

- 4) Posez le réservoir sur le côté. Placez une rondelle en caoutchouc sur un boulon en laiton (voir Illustration 5). A partir de l'intérieur du réservoir, insérez un boulon à travers les trous du bas. A l'extérieur, placez une rondelle métallique et un écrou autour du boulon. Maintenez le boulon centré dans le trou et serrez l'écrou à l'aide de vos doigts. Faites un 1/2 tour supplémentaire en utilisant une pince. Répétez ce processus pour les autres trous du réservoir.

Soulevez soigneusement le réservoir et dirigez-le vers les boulons en laiton pour aligner le réservoir sur la cuvette. Associez une rondelle métallique et un écrou sur chaque boulon. Bien serrer les écrous à la main et vérifiez que le réservoir est nivelé. Une fois nivelé, fixez les boulons jusqu'à ce que le réservoir ait TROIS POINTS DE CONTACT avec la cuvette.



Procédure d'Installation (suite)

- 6) Faites couler l'eau dans les conduites pour quelques secondes pour évacuer les débris restés dans la nouvelle valve de remplissage. (Pour de nouvelles maisons et/ou modifications, chassez l'eau des conduites pendant plus d'une minute pour débarrasser tous débris résultant de l'utilisation des outils de plomberie). Branchez la conduite d'eau sur le bout fileté de la valve comme indiqué sur le bas du réservoir. (voir Illustration 7). Serrez la connexion en tournant avec la main.

ATTENTION: Eviter de serrer avec une pince car cela peut endommager le plastique et/ou causer à la valve de pénétrer l'intérieur du réservoir.

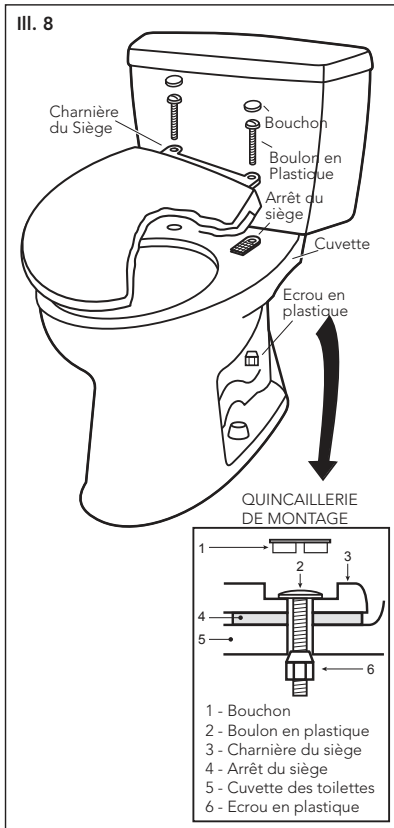
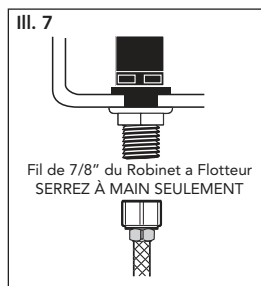
NOTE: La pression d'eau doit être statique et comprise entre 1,4 et 5,5 bars.

- 7) Aucun réglage du robinet à flotteur / de remplissage est nécessaire. L'eau s'arrêtera automatiquement au niveau approprié. Tirez plusieurs fois la chasse d'eau. Vérifiez que le clapet de non-retour fonctionne correctement. Rassurez-vous que la chaîne n'est pas entortillée et que le bras du clapet est dans sa position adéquate.

- 8) Installer le couvercle du réservoir des toilettes.

- 9) Posez le siège sur la cuvette en utilisant la quincaillerie de montage fournie dans le carton. Placez le siège sur la cuvette et tournez la charnière vers le bas. Placez l'arrêt du siège sous la charnière. Insérez les boulons dans la charnière et à travers la cuvette. Placez l'écrou en plastique sur le boulon de par le dessous. Serrez bien le boulon et posez les bouchons de boulons du siège.

NOTE: Serrez les boulons du siège jusqu'à ce que la charnière soit stabilisée. Le siège et le couvercle auront un petit mouvement, cela est normal. Ce mouvement permet à l'abattant SoftClose® de ne pas fixer.



INSTRUCTIONS DU ROBINET DE REMPLISSAGE DU RÉSERVOIR

Procédure d'Installation

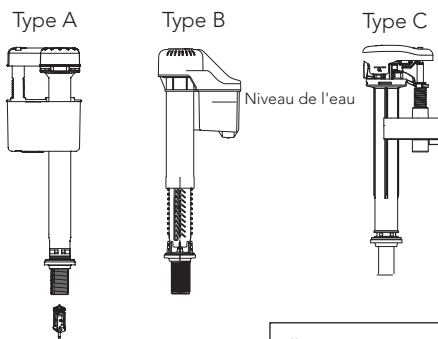
- 1) Coupez l'alimentation en eau des toilettes.
- 2) Tirez la chasse d'eau des toilettes et épongez l'eau restée dans le réservoir.
- 3) Retirez la connexion d'alimentation d'eau au niveau de la valve de remplissage.
- 4) Enlevez l'ancienne valve de remplissage et utilisez une éponge humidifiée pour nettoyer l'orifice du réservoir.
- 5) Placez la nouvelle valve de remplissage dans l'orifice du réservoir.

Procédure d'Installation (suite)

- 6) Vissez l'écrou de fixation sur la tige de la valve de remplissage et serrez l'écrou.
REMARQUE: Ne pas trop serrer. Prenez soin d'installer la valve de remplissage dans une position qui n'empêche pas le fonctionnement du levier de déclenchement.
- 7) Branchez l'arrivée d'eau sur la tige de la valve de remplissage et serrez manuellement.
REMARQUE: Ne pas trop serrer. Il s'agit de pièces en plastique. Ne jamais utiliser de pâte à joint au niveau d'une connexion d'arrivée d'eau.
- 8) Attachez le tuyau de remplissage sur le manchon de la valve de remplissage et fixer l'autre extrémité du tuyau de remplissage sur le tuyau de trop-plein.
- 9) Ouvrez l'alimentation d'eau et vérifiez d'éventuelles fuites autour du réservoir.
REMARQUE: Pendant que l'eau remplit le réservoir, elle est également acheminée vers le tuyau de trop-plein via le tuyau de remplissage. Ce flux d'eau supplémentaire est essentiel pour recharger la cuvette des toilettes. Une fois que l'eau cesse de remplir le réservoir, il est possible que des gouttes d'eau résiduelles tombent de la valve de remplissage. Ceci est NORMAL et s'arrêtera rapidement.

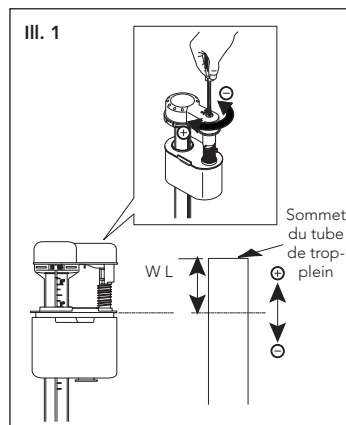
Réglage de Niveau d'Eau

Suivant l'usine de fabrication, vous pouvez disposer de l'un ou deux robinets de remplissage suivants:



Pour le Valve de Remplissage de Type A et C:
Reportez-vous au niveau de l'eau (WL) contexte marqué sur la paroi intérieure du réservoir. Laissez l'eau pour remplir le réservoir. Tournez la vis de réglage dans le sens des aiguilles d'une montre dans la direction (+) pour augmenter la hauteur du niveau d'eau. Tournez la vis de réglage dans le sens contraire des aiguilles d'une montre dans la direction (-) pour réduire la hauteur du niveau d'eau. Tirez la chasse d'eau pour vérifiez que le niveau de l'eau est correct. Ajustez si nécessaire (voir Illustration 1).

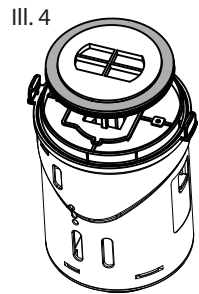
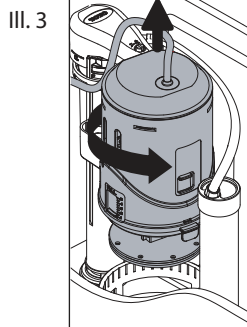
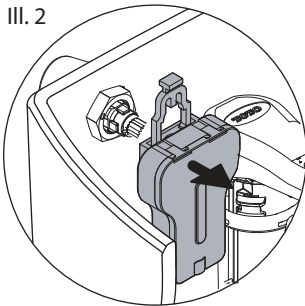
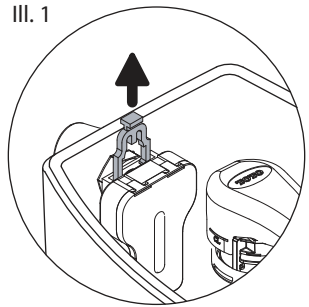
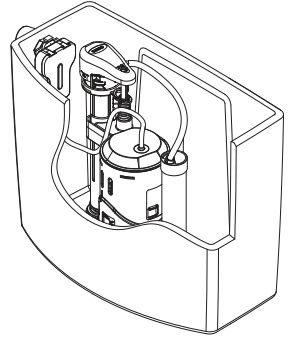
Pour le Valve de Remplissage de Type B:
Pas besoin d'ajuster le niveau d'eau avec la valve de remplissage de Type B. La valve de remplissage a été réglée à l'usine.



INSTRUCTIONS POUR L'ENTRETIEN DU ROBINET DE CHASSE

Modèle de réservoir ST453U seulement:

1. Coupez l'alimentation en eau et tirez la chasse d'eau.
2. Déposez le couvercle du réservoir et posez-le à l'envers sur une surface propre.
3. Tirez la barrette sur le dessus de la boîte d'engrenages du levier de déclenchement, comme illustré.
4. Retirez la boîte d'engrenages et mettez-la de côté, comme illustré. (voir III. 1 et III. 2)
5. Tournez la colonne de la chasse d'eau et remontez-la pour la déposer. (voir III. 3)
6. Déposez le joint d'étanchéité en caoutchouc et rincez à l'eau courante pour nettoyer. (voir III.4)
7. Remplacez le joint d'étanchéité sur la colonne de la chasse d'eau.
8. Alignez la colonne de la chasse d'eau et placez-la dans le boîtier, puis appuyez dessus légèrement pour la bloquer et la verrouiller en place.
9. Remplacez la boîte d'engrenages du levier de déclenchement et appuyez sur la barrette pour la verrouiller en place.
10. Reposez avec précaution le couvercle du réservoir sur le réservoir.
11. Tirez la chasse d'eau plusieurs fois pour vous assurer que le levier de déclenchement fonctionne normalement.
12. Vérifiez le niveau d'eau dans le réservoir et assurez-vous qu'il n'y a pas de fuites.



ENTRETIEN ET NETTOYAGE

AVERTISSEMENT!

NE PAS UTILISER LES NETTOYEURS POUR CUVETTE DE TOILETTE PLACÉS DANS LE RÉSERVOIR.

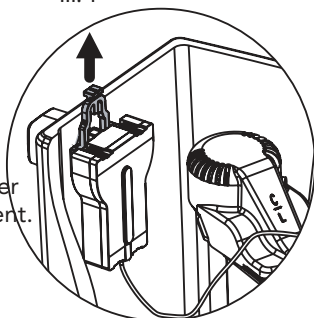
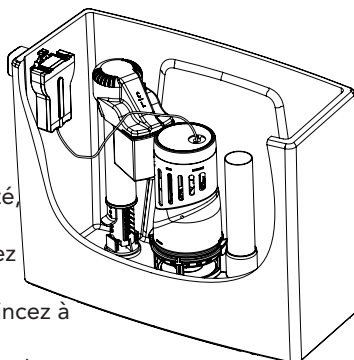
L'utilisation d'une concentration élevée de chlore ou de produits contenant du chlore risque d'endommager sérieusement les éléments dans le réservoir. Ces dommages peuvent provoquer des fuites ainsi que d'autres dégâts matériels.

TOTO ne doit pas être tenu responsable des défaillances ou des dommages matériels du réservoir causés par l'utilisation des nettoyeurs pour cuvette de toilette placés dans le réservoir.

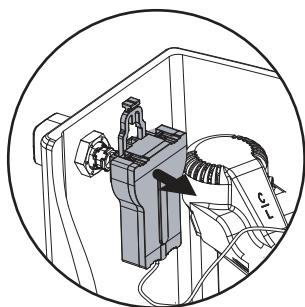
INSTRUCTIONS POUR L'ENTRETIEN DU ROBINET DE CHASSE

ST494M (CST494CEMFG)

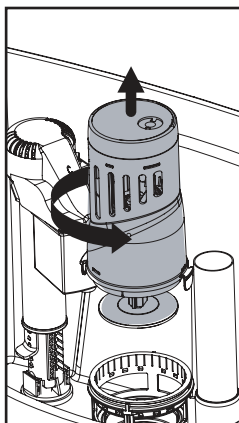
1. Coupez l'alimentation en eau de la toilette.
2. Chasse d'eau et retirez l'eau résiduelle du réservoir avec une éponge.
3. Tirez la barrette sur le dessus de la boîte d'engrenages du levier de déclenchement, comme illustré.
4. Retirez la boîte d'engrenages et mettez-la de côté, comme illustré. (voir Ill. 1 et Ill. 2)
5. Tournez la colonne de la chasse d'eau et remontez-la pour la déposer. (voir Ill. 3)
6. Déposez le joint d'étanchéité en caoutchouc et rincez à l'eau courante pour nettoyer. (voir Ill.4)
7. Remplacez le joint d'étanchéité sur la colonne de la chasse d'eau.
8. Alignez la colonne de la chasse d'eau et placez-la dans le boîtier, puis appuyez dessus légèrement pour la bloquer et la verrouiller en place. III. 1
9. Remplacez la boîte d'engrenages du levier de déclenchement et appuyez sur la barrette pour la verrouiller en place.
10. Remettez avec précaution le couvercle du réservoir sur le réservoir.
11. Tirez la chasse d'eau plusieurs fois pour vous assurer que le levier de déclenchement fonctionne normalement. Tirer le levier de déclenchement vers l'avant pour la chasse complète et pousser vers l'arrière pour la chasse léger.
13. Vérifiez le niveau d'eau dans le réservoir et vérifiez pour des signes de fuite.



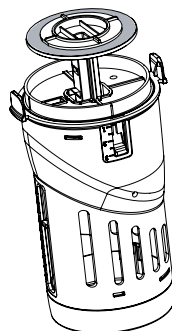
III. 2



III. 3



III. 4



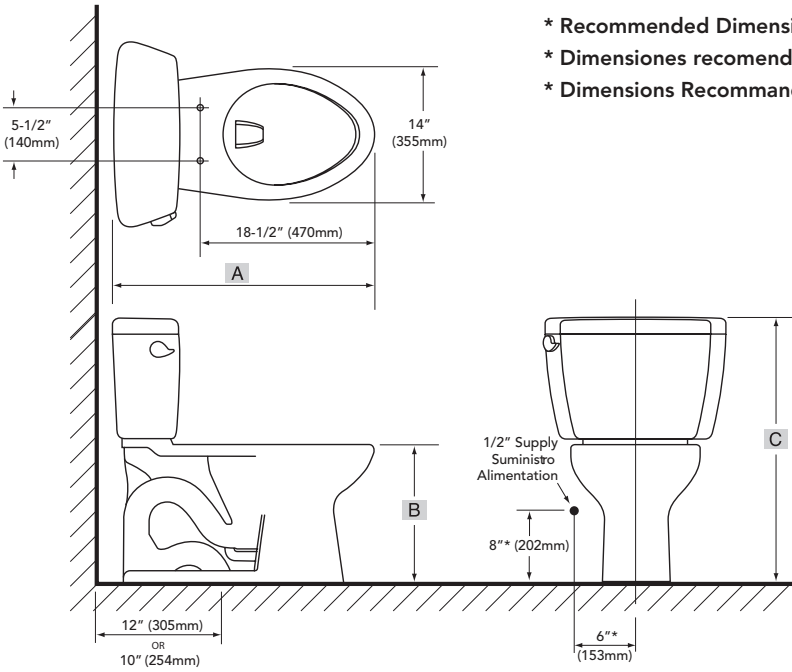
GARANTIE

1. TOTO garantit sa vitreous china produits contre tout défaut de matériau et de fabrication pendant l'utilisation normale, lorsqu'elle est correctement installée et maintenue pour une période de une (1) ans à dater de l'achat. La présente garantie limitée ne peut être prolongée que pour le seul ACHETEUR D'ORIGINE de l'appareil et n'est pas transférable à un tiers, y compris mais pas limité à tout acheteur ou propriétaire subséquent du produit. Cette garantie n'est applicable qu'aux produits achetés et installés en Amérique du Nord, Centrale, Latine, et du Sud.
2. Les obligations de TOTO selon les termes de cette garantie sont limitées à la réparation, remplacement ou autre ajustement en conséquence, au choix de TOTO, des produits ou des pièces défectueuses en service normal, pourvu qu'un tel produit ait été installé, utilisé et entretenu conformément aux instructions. TOTO se réserve le droit d'effectuer ce genre de vérifications en cas de nécessité afin de déterminer la cause du défaut. TOTO ne facturera pas les interventions ou les pièces relatives à la réparation et au remplacement sous garantie. TOTO n'est pas responsable du coût de désinstallation, de renvoi et/ou de réinstallation de l'appareil.
3. La garantie ne s'applique pas dans les cas suivants:
 - a) Dommages ou pertes suite à une cause naturelle telle que incendie, tremblement de terre, inondation, tonnerre, orage etc.
 - b) Dommages ou pertes causés par tout accident, utilisation non adaptée, un abus, une négligence ou un mauvais traitement, nettoyage ou entretien de l'appareil.
 - c) Dommages ou pertes causés par des sédiments ou tout autre corps étranger contenus dans un réseau d'alimentation en eau.
 - d) Dommages ou pertes suite à une mauvaise installation ou à l'installation de l'appareil dans un environnement rude et/ou dangereux ou une mauvaise désinstallation, réparation ou m.
 - e) Dommages ou pertes suite à des surtensions, foudres ou tous autres actes qui ne sont pas la responsabilité de TOTO, ou actes stipulés non supportables par le produit.
 - f) Dommages ou pertes résultant d'une usure normale et habituelle, telle que la diminution du lustre, grattage ou décoloration avec le temps, habitude de nettoyage, l'eau, ou des conditions atmosphériques.
4. Pour que la garantie limitée soit valable, la preuve d'achat est exigée. TOTO vous encourage à enregistrer votre produit après l'achat pour créer un record de propriété, cela peut être fait au site <http://www.totousa.com>. L'enregistrement du produit est complètement volontaire et à défaut de l'enregistrement ne va pas limiter votre droit à garantie limitée.
5. CETTE GARANTIE DONNE DES DROITS SPÉCIFIQUES. IL EST POSSIBLE QUE L'ACHETEUR AIT D'AUTRES DROITS QUI VARIENT D'UN ÉTAT À UN AUTRE OU D'UNE PROVINCE À L'AUTRE.
6. Pour obtenir une réparation selon les termes de cette garantie, l'acheteur doit livrer à un centre de réparation de TOTO port payé avec preuve d'achat (reçu de caisse original), et une lettre expliquant le problème, ou contacter un distributeur de TOTO ou un entrepreneur de réparation du produit ou écrire directement à TOTO U.S.A., INC., Southern Road, Morrow, Géorgie 30260, (678) 466-1300 ou appelé (888) 295-8134, si en dehors de l'Etat Unis. Si, à cause de la taille du produit ou de la nature du défaut, il n'est pas possible de renvoyer le produit à TOTO, la réception par TOTO d'un avis écrit du défaut avec preuve d'achat (reçu de caisse original) constitue livraison. Dans un tel cas, TOTO peut choisir de réparer le produit chez l'acheteur ou de payer le transport du produit à un centre de réparation.

CETTE GARANTIE ÉCRITE EST LA SEULE GARANTIE FAITE PAR TOTO. LA RÉPARATION, LE REMPLACEMENT OU TOUT AUTRE AJUSTEMENT APPROPRIÉ SELON LES TERMES DE CETTE GARANTIE EST LE SEUL RECOURS DE L'ACHETEUR INITIAL. TOTO N'EST PAS RESPONSABLE DE LA PERTE DU PRODUIT OU DE TOUT AUTRE DOMMAGE INDIRECT, SPÉCIAL OU SECONDAIRE OU DES DÉPENSES ENCOURUES PAR L'ACHETEUR INITIAL NI DE LA MAIN-D'ŒUVRE OU AUTRES FRAIS ASSOCIÉS À L'INSTALLATION OU LA MANIPULATION, OU LES FRAIS DE RÉPARATION PAR DES TIERS, NI POUR TOUS AUTRES FRAIS PAS SPÉCIFIQUEMENT MENTIONNÉS. EN AUCUN CAS, LA RESPONSABILITÉ DE TOTO NE PEUT DÉPASSER LE PRIX D'ACHAT DU PRODUIT. SAUF QUAND INTERDITE PAR UNE LOI APPLICABLE, TOUTE GARANTIE SOUS-ENTENDUE, Y COMPRIS CELLE DE VENDABILITÉ OU D'APPLICATION POUR UN USAGE PARTICULIER, EST EXPRESSEMENT REJETÉ. CERTAINES PAYS NE PERMETTENT PAS LA LIMITATION DES DOMMAGES INDIRECTS OU SECONDAIRES, IL EST DONC POSSIBLE QUE CETTE LIMITATION ET EXCLUSION NE S'APPLIQUE PAS À VOTRE CAS.

ATTENTION ! TOTO décline toute responsabilité quant aux panes ou aux dommages causés sur ce produit de plomberie et composant du produit par la chloramine contenue dans le traitement de l'alimentation en eau publique ou dans les produits d'entretien pour réservoirs des toilettes contenant du chlore (hypochlorite de calcium). Remarque : l'utilisation d'une forte concentration de chlore ou de produits à base de chlore risque d'endommager sérieusement la tuyauterie. Ces dommages peuvent provoquer des fuites et des dégâts des eaux. Pour plus d'informations, contactez-nous au (888) 295-8134.

ROUGH-IN DIMENSIONS / DIMENSIONES PRELIMINARES / DIMENSIONS BRUTES



Model	A	B	C
CST243EF	26-7/8"	16-1/8"	30"
CST244EF	28-3/4"	16-1/8"	30"
CST423EF(G)	26-3/8"	16-1/8"	33-1/2"
CST424EF(G)	28-1/4"	16-1/8"	33-1/2"
CST454CEF(G)	28-1/2"	16-1/8"	29-1/2"
CST454CUF(G)	28-1/2"	16-1/8"	29-1/2"
CST743E	26-3/8"	14-5/8"	28-1/2"
CST743ED	26-3/8"	14-5/8"	28-1/2"
CST744EL	28"	16-1/2"	30-1/2"
CST744ELD	28"	16-1/2"	30-1/2"
CST744EF.10	28"	16-1/8"	30-1/8"
CST744EFD.10	28"	16-1/8"	30-1/8"
CST744E(G)	27-3/4"	14-5/8"	28-1/2"
CST744ED(G)	27-3/4"	14-5/8"	28-1/2"
CST754EF(N)	28-1/8"	16-1/8"	32-1/2"
CST784EF	28-1/2"	16-1/8"	32-1/2"
CST744E(G)N	28-3/8"	14-5/8"	29-1/8"
CST743EN	26-5/8"	14-5/8"	29-1/8"
CST744ELN	28-3/8"	16-1/2"	31-1/8"
CST744EFN.10	28-5/8"	16-1/8"	30-3/4"
CST494CEMF(G)	28-3/4"	16-1/8"	30-1/4"

REPLACEMENT PARTS / REFACCIONES / PIÈCES DE RECHANGE

Model Modelo Modèle	Flapper Tapón Clapet	Fill Valve (Type A or C) Válvula de Llenado (Type A o B) Robinete de Remplissage (Type A ou C)	Fill Valve (Type B) Válvula de Llenado (Type B) Robinete de Remplissage (Type B)	Flush Valve Válvula de la Cisterna Soupape de Vidange	Trip Lever Palanca de Descarga Levier de Dé- clenchement
CST243EF	THU347S	TSU53A	TSU99A.X	THU252P-A	THU068#XX
CST244EF	THU347S	TSU53A	TSU99A.X	THU252P-A	THU068#XX
CST423EF	THU331S	TSU53A	TSU99A.X	THU252P-5A	THU141#XX
CST424EF	THU331S	TSU53A	TSU99A.X	THU252P-5A	THU141#XX
CST454CEF(G)	THU347S	TSU53A	TSU99A.X	THU252P-A	THU068#XX
CST454CUF(G)	9BU094	TSU53A	N/A	THU389	THU390#CP
CST743E	THU347S	TSU53A	TSU99A.X	THU252P-A	THU068#XX
CST743ED	THU331S	TSU53A	TSU99A.X	THU252P-A	THU068#XX
CST744E(G)	THU347S	TSU53A	TSU99A.X	THU252P-A	THU068#XX
CST744ED	THU331S	TSU53A	TSU99A.X	THU252P-A	THU068#XX
CST744EL	THU347S	TSU53A	TSU99A.X	THU252P-A	THU068#XX
CST744ELD	THU331S	TSU53A	TSU99A.X	THU252P-A	THU068#XX
CST744EF.10	THU347S	TSU53A	TSU99A.X	THU252P-A	THU068#XX
CST744EFD.10	THU331S	TSU53A	TSU99A.X	THU252P-A	THU068#XX
CST754EF	THU347S	TSU53A	TSU99A.X	THU252P-A	THU141#XX
CST754EFN	THU347S	TSU53A	TSU99A.X	THU252P-2A	THU141#XX
CST784EF	THU347S	TSU53A	TSU99A.X	THU252P-4A	THU148#XX
CST744E(G)N	THU347S	TSU53A	TSU99A.X	THU252P-A	THU398#CP
CST743EN	THU347S	TSU53A	TSU99A.X	THU252P-A	THU398#CP
CST744ELN	THU347S	TSU53A	TSU99A.X	THU252P-A	THU398#CP
CST744EFN.10	THU347S	TSU53A	TSU99A.X	THU252P-A	THU398#CP
CST494CEMF(G)	n/a	n/a	TSU09A.7	THU417	THU416#CP

TOTO

TOTO U.S.A., Inc. 1155 Southern Road,
Morrow, Georgia 30260
Tel: 888-295-8134 Fax: 800-699-4889
www.totousa.com

0GU048Z-7
Rev Date: 07/13



Warranty Registration and Inquiry

For product warranty registration, TOTO U.S.A. Inc. recommends online warranty registration. Please visit our web site <http://www.totousa.com>. If you have questions regarding warranty policy or coverage, please contact TOTO U.S.A. Inc., Customer Service Department, 1155 Southern Road, Morrow, GA 30260 (888) 295-8134 or (678) 466-1300 when calling from outside of U.S.A.