

**GALILEO  
71" COPPERDOUBLE  
SLIPPER TUB**

Cat. No.  
COTDSN71B-MN



L: 71 1/2"  
W: 33 1/8"  
H: 33"

Water depth: 20 1/2" to overflow

**Features:**

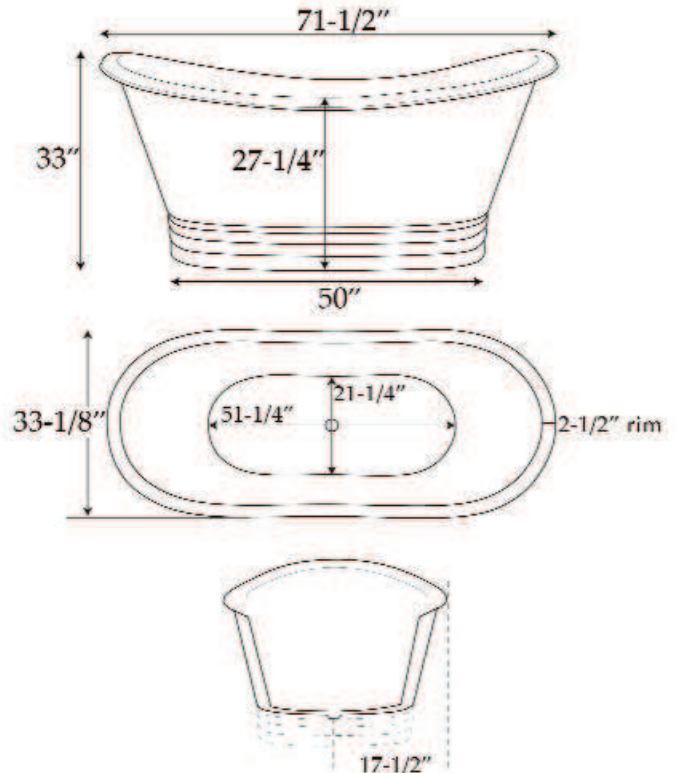
- ▶ Constructed of 16 gauge copper (Copper is a living finish and will patina over time)
- ▶ Exterior is dazzling mosaic over antique copper and interior is hammered nickel
- ▶ No faucet holes
- ▶ With overflow
- ▶ Includes decorative base
- ▶ Drain is in the center of the tub
- ▶ Hand-crafted construction makes each tub unique

**Tub Finishes:**

**MN** Mosaic/Hammered Nickel

The following is recommended for COTDS tubs without faucet holes:  
•Faucet: **Part #4602, 7393 or 7410**  
•Freestanding bath supplies: **Part# 4502**  
•Leg tub drain: **Part# 5599E**

Gallon Capacity: 97  
Shipping Weight: 425 lbs.  
Empty Weight: 200 lbs.  
Filled Weight: 1,010 lbs.



Dimensions and specifications subject to change without notice.