

**SOMERSET  
75" COPPER DOUBLE  
ROLL TUB**

Cat. No.  
COTDRN75B-AC



L: 75"  
W: 42"  
H: 24 1/4"

Rim: 2 5/8" W  
Water depth: 21" to top of tub

**Features:**

- ▶ Constructed of 16 gauge copper  
(Copper is a living finish and will patina over time)
- ▶ Hammered antique copper inside and out
- ▶ Hand polished
- ▶ No faucet holes
- ▶ No overflow
- ▶ Decorative base included
- ▶ Drain is in the center of the tub
- ▶ Hand-crafted construction makes each tub unique

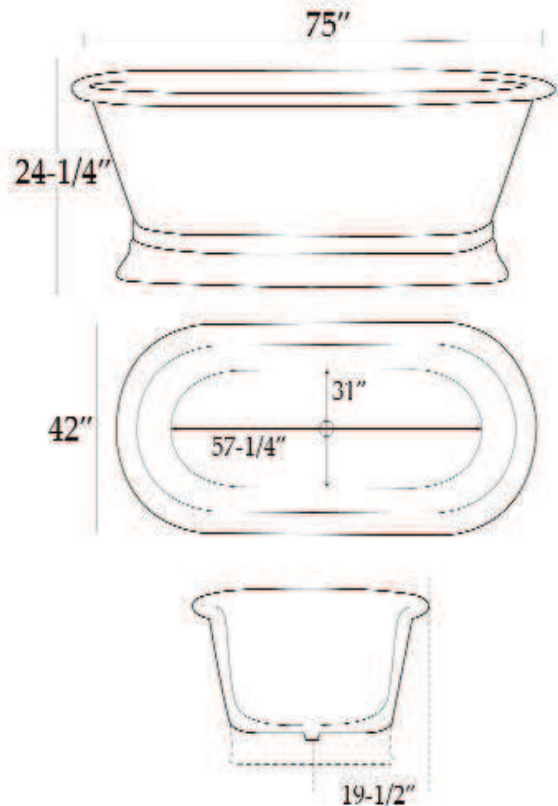
**Tub Finishes:**

**AC** Antique Copper

The following is recommended for COTDR tubs without faucet holes:

- Faucet: **Part #4602, 7393 or 7410**
- Freestanding bath supplies: **Part# 4502**
- Leg tub drain: **Part# 5599LT**

Gallon Capacity:	161
Shipping Weight:	325 lbs.
Empty Weight:	100 lbs.
Filled Weight:	1,445 lbs.



Dimensions and specifications subject to change without notice.