

**Nantucket Collection**  
 Premium 8" Spread Wallmount Faucet  
 Matte Black Finish



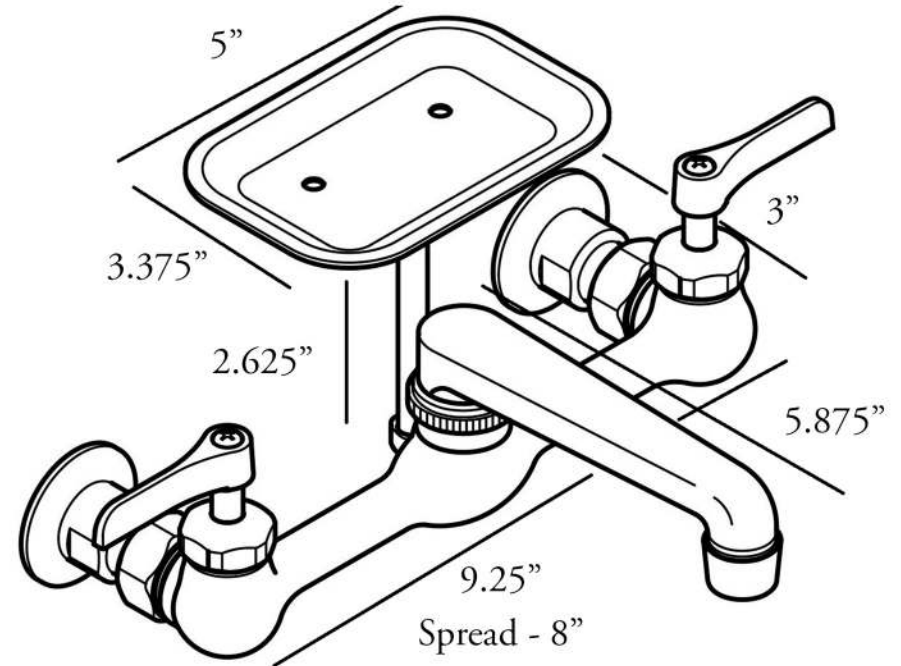
**Nantucket**  
 S I N K S

www.NantucketSinksUSA.com  
 info@nantucketsinksusa.com

MODEL:  
**CIF-2HMBL**



3.75"



**FEATURES**

- Heavy Solid Brass Construction
- 1.5 GPM Flow Rate
- ICC-ES Listing File No. PMG-1367, PMG-1368, PMG-1419
- Ceramic Cartridge
- Meets or Exceeds all State Code Compliance Laws
- 8" Spread design ( additional hole cover "bib" included)
- With cUPC, ASME, NSF-619 & NSF-619G (AB1953) Approval



- IAPMO UPC/cUPC
- NSF 61-9



- ASME A112.18.1



- CA AB-1953 (less than 0.25% lead content)

Project Name: \_\_\_\_\_

Architect / Contractor: \_\_\_\_\_

Job Notes: \_\_\_\_\_

\_\_\_\_\_

\_\_\_\_\_