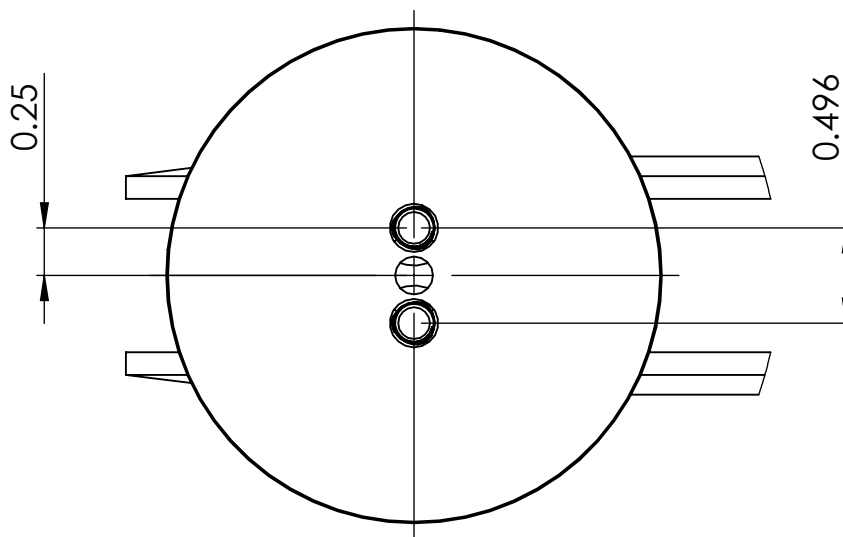
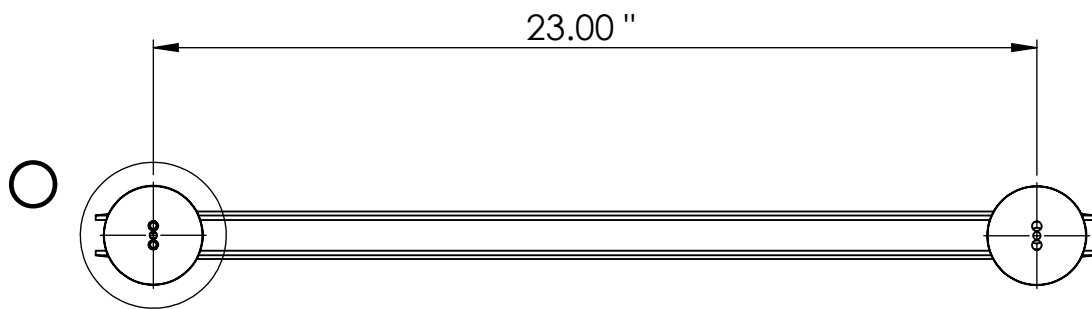


## INSTALLATION INSTRUCTIONS

### Step 1: Drill holes Ceiling to mount base plate.

Determine your desired location for installation and make a mark for the location of the base plate. Make 2 marks each side where mounting screws will be placed as shown below. Drill hole at each of the marks.



DETAIL O

# CH-93



## INSTALLATION INSTRUCTIONS

### Step 2: Attaching Base Plate to Ceiling

Loosen threaded rod. Then fasten base plate with screws provided to the ceiling.

