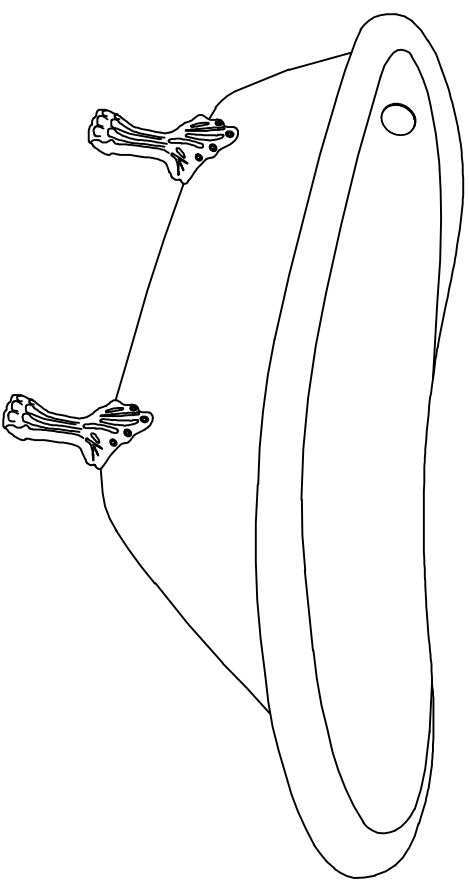


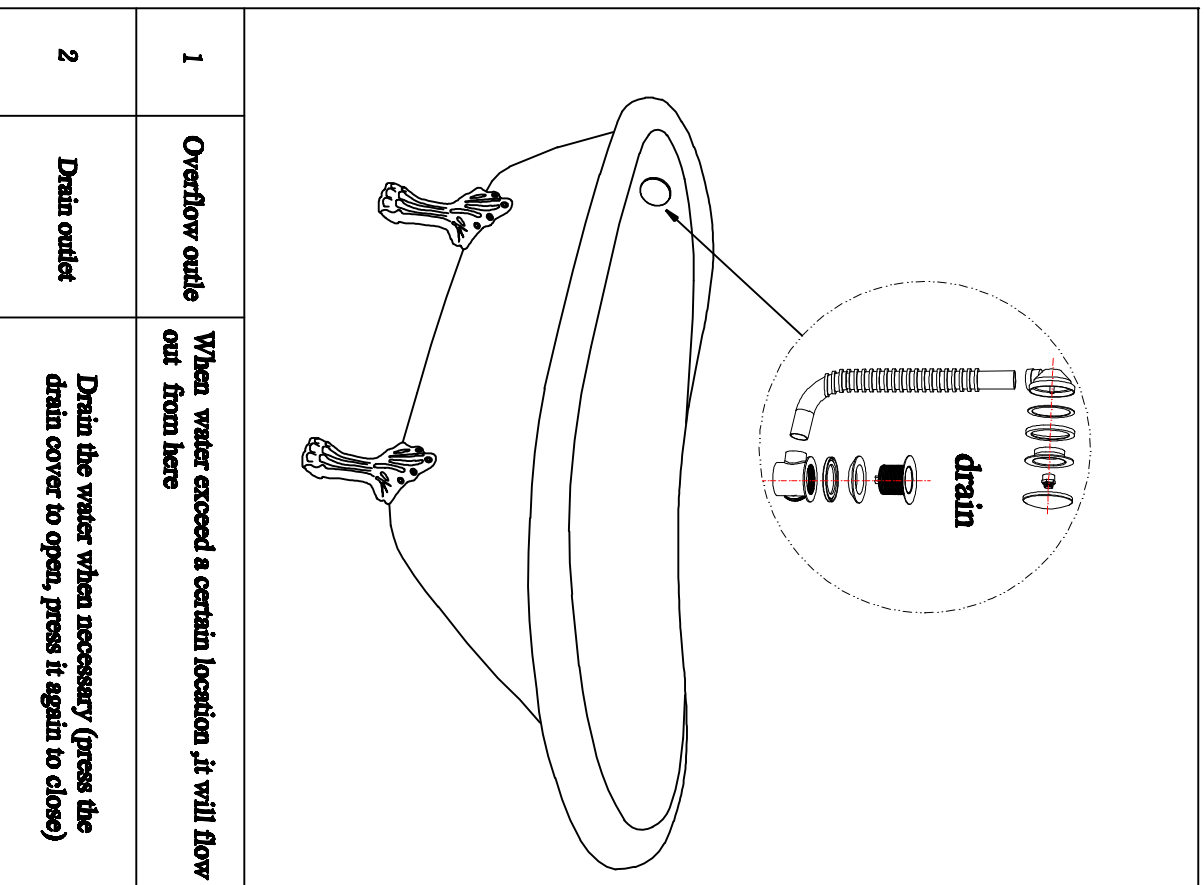


A686 INSTALLATION INSTRUCTION



A686 INSTALLATION INSTRUCTION

A686 INSTALLATION INSTRUCTION

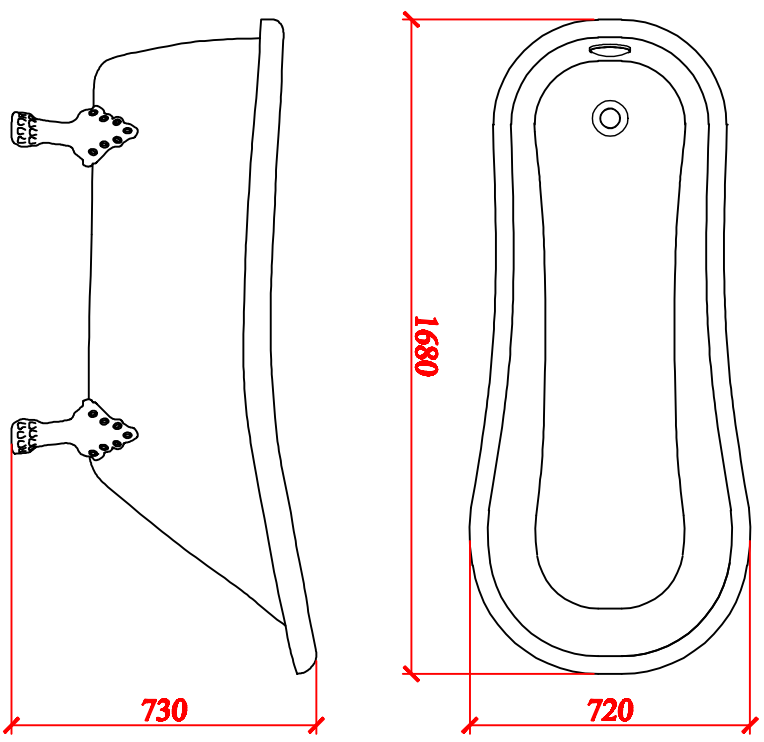


1	Overflow outlet	When water exceed a certain location ,it will flow out from here
2	Drain outlet	Drain the water when necessary (press the drain cover to open, press it again to close)

- 1> Need the professional when install this products.And for the products work naturally, please don't backout or replace every equipment in the bathtub when setting.
- 2> Risk of accidental injury or drowning; children should not use the unit without adult supervision.
- 3> Keep hair and body parts away from the suction guard. Do not allow long hair to float freely in the water; long hair should be restrained with a bathing cap. Do not remove or alter the covers on the suction fittings. Never operate the hydrotherapy function if the suction guard is missing or broken. If you need to replace a suction fitting , make sure you use only manufacturer recommended replacement parts.
- 4> In order to run the bathtub's function properly, the tub must be placed on a smooth, level, self-Draining surface. The Equipment Module is installed to provide adequate drainage.

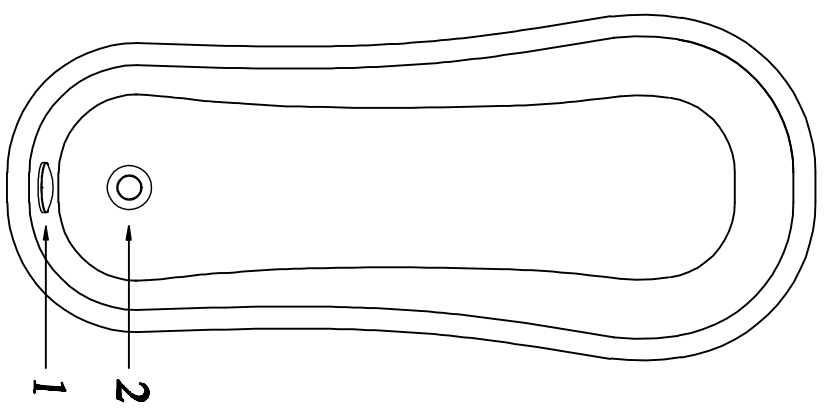
PLEASE FOLLOW THE BELOW DRAWING FOR DETAILED INSTRUCTIONS:

A686 INSTALLATION INSTRUCTION



- 1. Size: 1680 x 720 x 730 mm
- 2. Material: Acrylic
- 3. Bathtub weight: 42.5KG
- 4. Water volume (to overflow) : 157.5L

A686 INSTALLATION INSTRUCTION



- Form of function:**
- 1. Overflow
 - 2. Drain