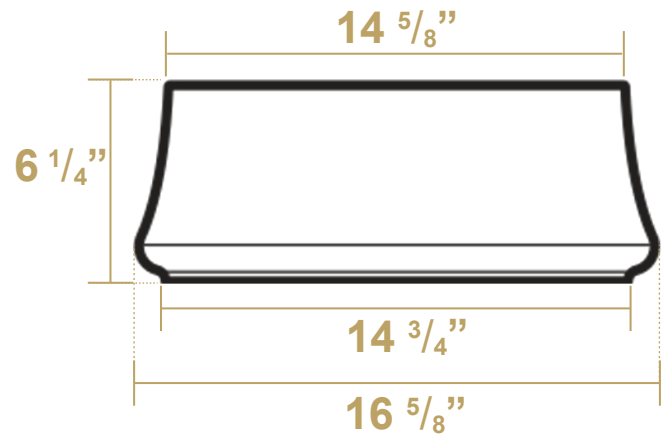
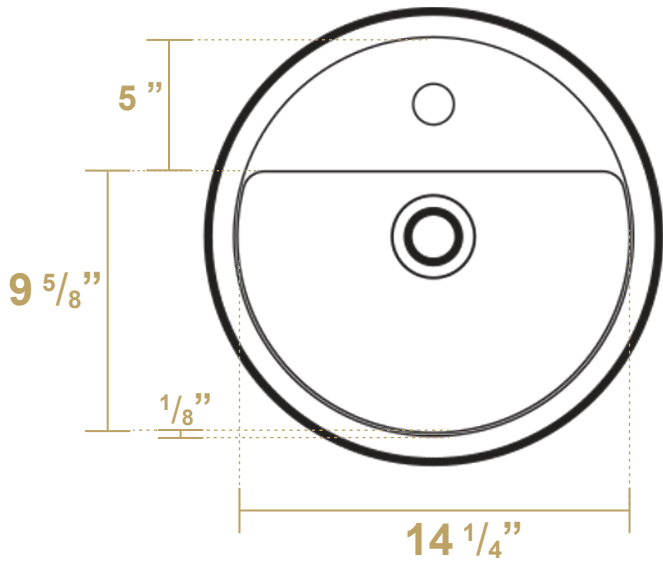




## B-SH03

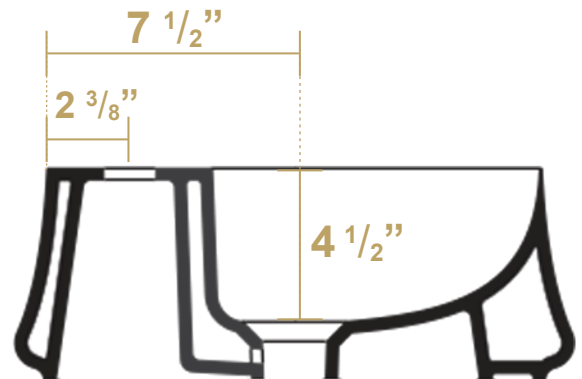


### Overall Dimensions

16 <sup>5</sup>/<sub>8</sub>" dia. x 6 <sup>1</sup>/<sub>4</sub>"

### Inside Dimensions

14 <sup>1</sup>/<sub>4</sub>" x 9 <sup>5</sup>/<sub>8</sub>" x 4 <sup>1</sup>/<sub>2</sub>"



*Britannia*

**LIVE WITH STYLE!**