

**FORTUNA  
61" ACRYLIC  
SLIPPER TUB**

Cat. No.  
ATS7H61I



L: 61"  
W: 27 1/2"  
H: 24" - 30 1/2"

Water depth: 14 1/4" to overflow

**The following is recommended for  
ATS7H tubs:**

- Rim-mounted faucets: part #4601 or 7529
- Straight bath supplies: part #5577
- Leg tub drain: part #5599

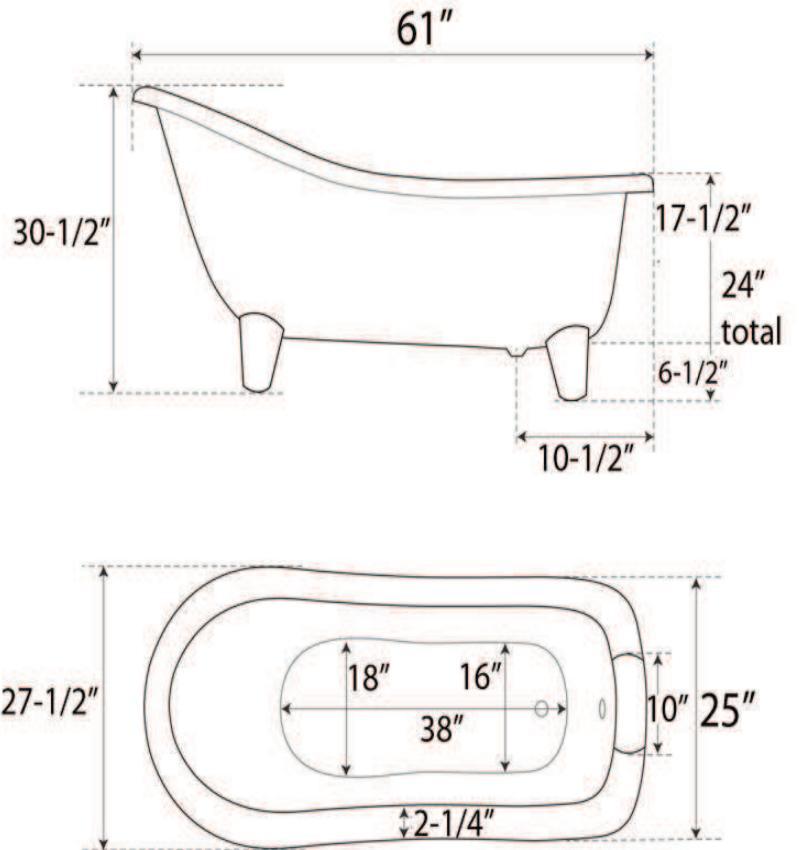
Gallon Capacity: 39  
Shipping Weight: 425 lbs.  
Empty Weight: 200 lbs.  
Filled Weight: 526 lbs.

**Features:**

- ▶ Acrylic construction for lighter weight
- ▶ Sloped back for comfort
- ▶ Imperial feet available in 4 finishes
- ▶ 7" centers in tub deck
- ▶ Tub feet are attached and leveled before shipment.
- ▶ Tub is thoroughly inspected before shipment

**Feet Finishes:**

**BN** Brushed Nickel                      **PB** Polished Brass  
**CP** Polished Chrome                    **ORB** Oil Rubbed Bronze



Dimensions of fixture are nominal and specifications subject to change without notice.