

**BAROQUE
70" ACRYLIC
ROLL TOP TUB**

Cat. No.
ATRN70LP



L: 69 1/2"
W: 31 1/2"
H: 23 1/2"

Water depth: 14-1/2" to overflow

The following is recommended for ATRN tubs:

- Faucets: part #4602, 7393 or 7410
- Rigid, freestanding supplies: part #4502
- Leg tub drain: part #5599E

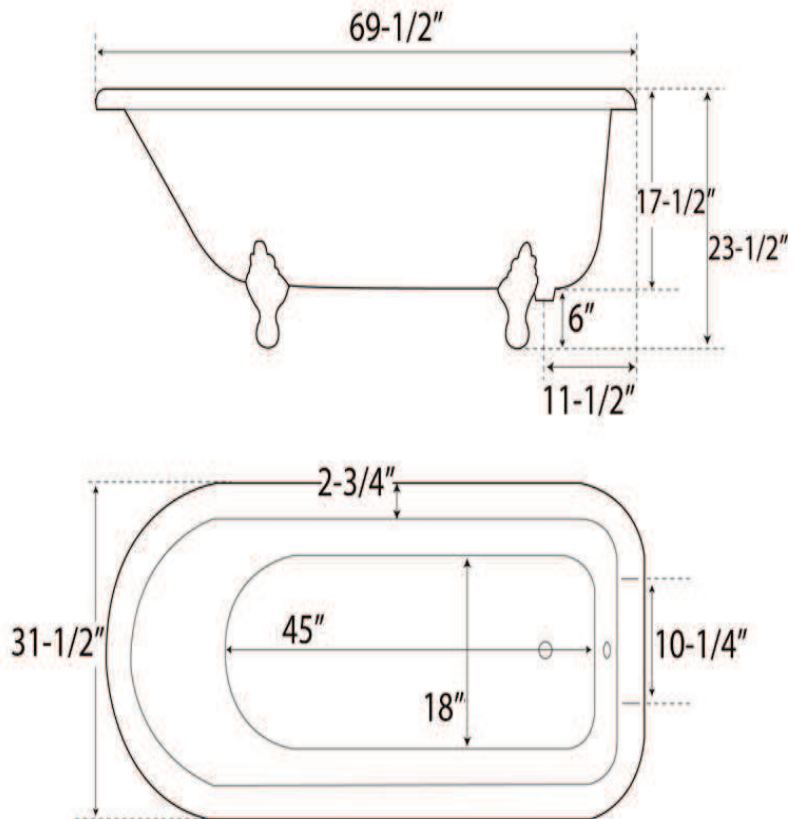
Gallon Capacity: 35
Shipping Weight: 375 lbs.
Empty Weight: 150 lbs.
Filled Weight: 443 lbs.

Features:

- ▶ Acrylic construction for lighter weight
- ▶ Lion paw feet available in 4 finishes
- ▶ No faucet holes
- ▶ Tub feet are attached and leveled before shipment.
- ▶ Tub is thoroughly inspected before shipment

Feet Finishes:

BN Brushed Nickel **PB** Polished Brass
CP Polished Chrome **ORB** Oil Rubbed Bronze



Dimensions of fixture are nominal and specifications subject to change without notice.