

**VESPERA
71" ACRYLIC
RECTANGULAR TUB**

Cat. No.
ATRECN71WIB



L: 71"
W: 33 3/4"
H: 26"

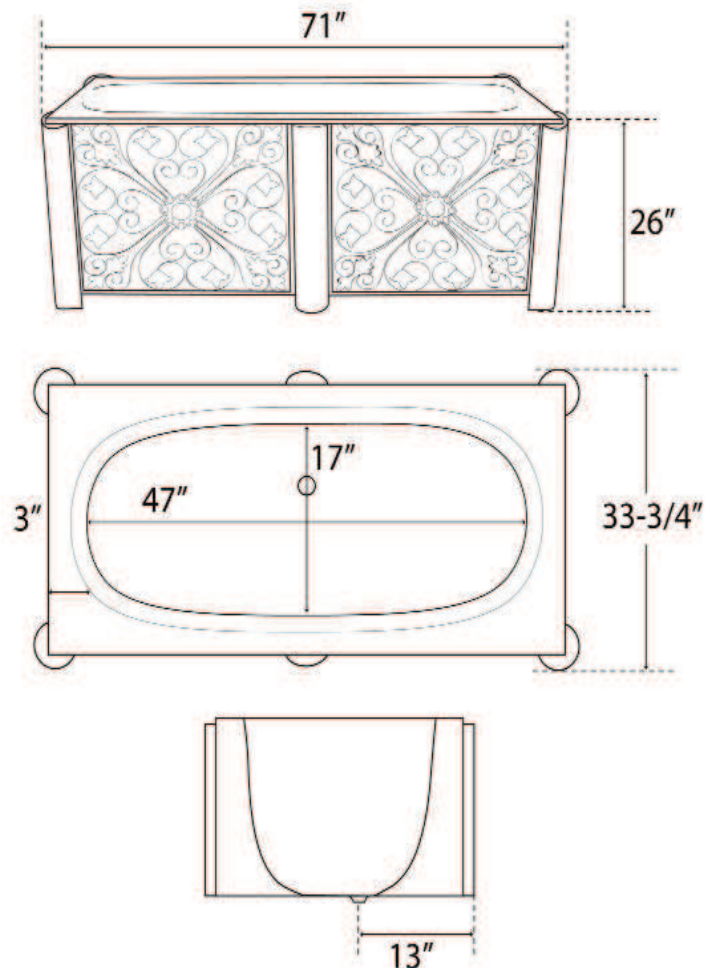
Water depth: 17" to top of tub

The following is recommended for ATRECN71WIB tubs:
 •Faucets: part #7901 or 7913
 •Leg tub drain: part #5599LT

Gallon Capacity: 58
 Shipping Weight: 425 lbs.
 Empty Weight: 200 lbs.
 Filled Weight: 684 lbs.

Features:

- ▶ Interior and exterior walls acrylic sheets
- ▶ Space between walls partially filled with fiberglass & resin
- ▶ Artistic wrought iron base features wooden columns and burnished gold design
- ▶ For use with a freestanding tub filler or faucet mounted on the wall
- ▶ No faucet holes
- ▶ No overflow
- ▶ Tub is thoroughly inspected before shipment



Dimensions of fixture are nominal and specifications subject to change without notice.