

**ALEXIA
53" ACRYLIC
ROLL TOP TUB**

Cat. No.
ATR7H53



L: 53"
W: 31"
H: 26"

Depth: 19 3/4" at drain
Water depth: 16 1/4" to overflow
Overflow hole: 1 1/2"

The following is recommended for ATR7H tubs:

- Rim-mounted faucets: part #4601 or 7529
- Use with Straight Bath Supplies: part #5577
- Leg tub drain: part #5599

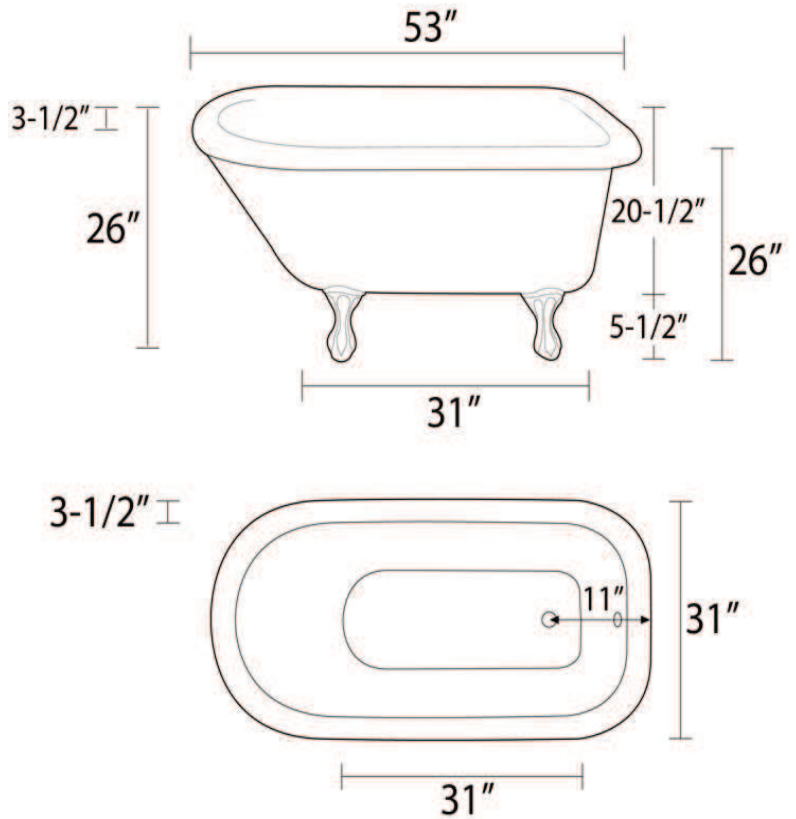
Gallon Capacity: 59
Shipping Weight: 358 lbs.
Empty Weight: 178 lbs.
Filled Weight: 671 lbs.

Features:

- ▶ Interior and exterior walls acrylic sheets
- ▶ Space between walls partially filled with fiberglass & resin
- ▶ Solid brass ball and clasp feet available in 6 finishes
- ▶ 7" centers in tub deck
- ▶ Tub feet are attached and leveled before shipment.
- ▶ Tub is thoroughly inspected before shipment

Feet Finishes:

BN Brushed Nickel	PB Polished Brass
CP Polished Chrome	WH White
ORB Oil Rubbed Bronze	PN Polished Nickel



Dimensions of fixture are nominal and specifications subject to change without notice.