

**MONIQUE  
69" ACRYLIC DOUBLE  
SLIPPER TUB**

Cat. No.  
ATDS7H69R



L: 69"  
W: 28 1/2"  
H: 30 3/4"

Water depth: 17" to top of tub

**The following is recommended for ATDS7H tubs:**

- Faucets: part #4602, 7393 or 7410
- Rigid, freestanding supplies: part #4502
- Leg tub drain: part #5599E

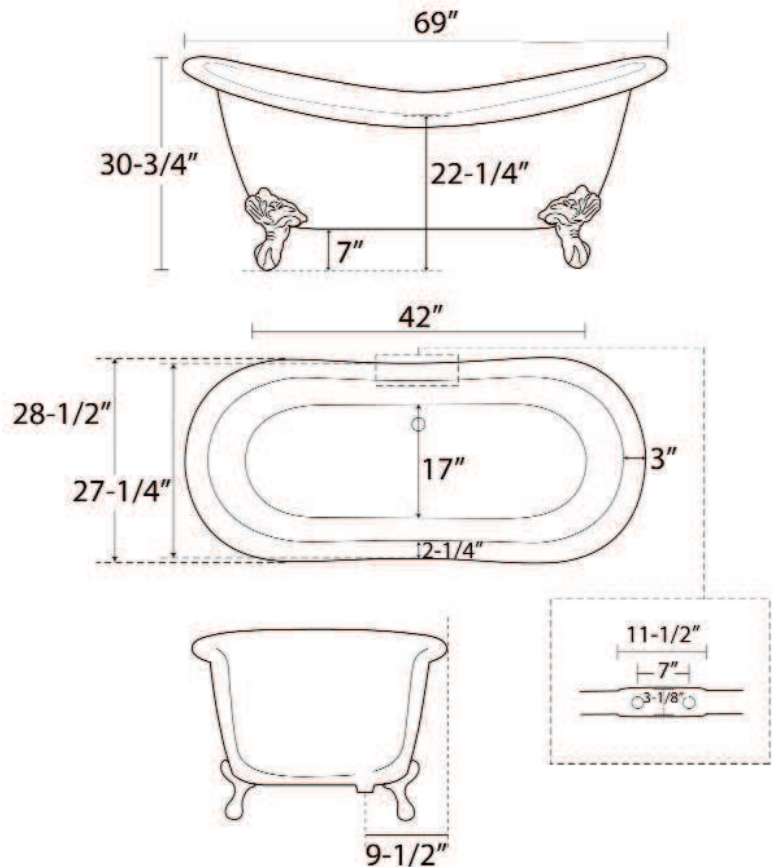
Gallon Capacity: 53  
Shipping Weight: 296 lbs.  
Empty Weight: 100 lbs.  
Filled Weight: 543 lbs.

**Features:**

- ▶ Interior and exterior walls acrylic sheets
- ▶ Space between walls partially filled with fiberglass & resin
- ▶ Imperial feet available in 4 finishes
- ▶ For use with deck mount faucet
- ▶ 7" centers in tub deck
- ▶ Tub feet are attached and leveled before shipment.
- ▶ Tub is thoroughly inspected before shipment

**Feet Finishes:**

**BN** Brushed Nickel                      **PB** Polished Brass  
**CP** Polished Chrome                      **ORB** Oil Rubbed Bronze



Dimensions of fixture are nominal and specifications subject to change without notice.