

**CLAUDIA  
69" ACRYLIC DOUBLE  
ROLL TOP TUB**

Cat. No.  
ATDR7H69I



L: 69"  
W: 30 1/2"  
H: 24"

Water depth: 17" to top of tub

**The following is recommended for ATDR7H tubs:**

- Rim-mounted faucets: part #4601 or 7529
- Straight bath supplies: part #5577
- Leg tub drain: part #5599E

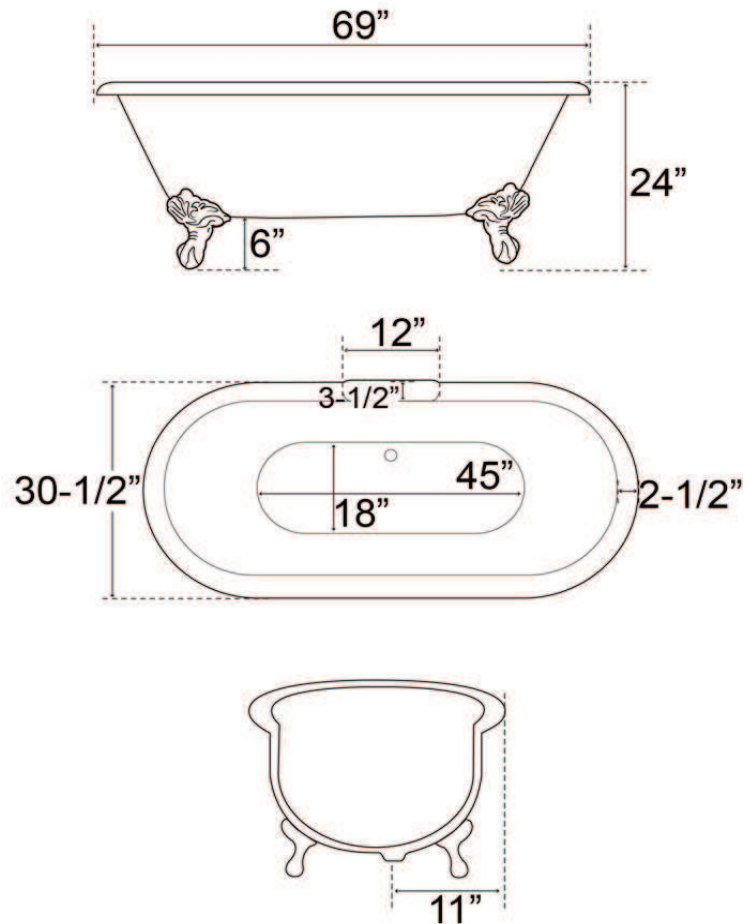
Gallon Capacity: 59  
Shipping Weight: 340 lbs.  
Empty Weight: 115 lbs.  
Filled Weight: 608 lbs.

**Features:**

- ▶ Interior and exterior walls acrylic sheets
- ▶ Space between walls partially filled with fiberglass & resin
- ▶ Imperial feet available in 4 finishes
- ▶ 7" centers in tub deck
- ▶ Tub feet are attached and leveled before shipment.
- ▶ Tub is thoroughly inspected before shipment

**Feet Finishes:**

**BN** Brushed Nickel                      **PB** Polished Brass  
**CP** Polished Chrome                      **ORB** Oil Rubbed Bronze



Dimensions of fixture are nominal and specifications subject to change without notice.